

US00D638330S

(12) **United States Design Patent**
Fahrendorff et al.

(10) **Patent No.:** **US D638,330 S**

(45) **Date of Patent:** **** May 24, 2011**

(54) **STRAP**

(75) Inventors: **Anders Fahrendorff**, Kanata (CA);
Andrew David Lowe, Ottawa (CA)

(73) Assignee: **Research In Motion Limited**, Waterloo,
Ontario (CA)

(**) Term: **14 Years**

(21) Appl. No.: **29/360,186**

(22) Filed: **Apr. 21, 2010**

(51) **LOC (9) Cl.** **02-07**

(52) **U.S. Cl.** **D11/200**

(58) **Field of Classification Search** D11/1-2,
D11/200-201, 206-210, 214-218; 24/163 R,
24/169-171, 173, 177-179, 191, 194-195,
24/197, 200, 614-616, 625; D3/327; 204/301
See application file for complete search history.

(56) **References Cited**

U.S. PATENT DOCUMENTS

2,845,670 A * 8/1958 Brown et al. 24/16 R
D309,619 S * 7/1990 Kalbach D16/339
5,027,477 A * 7/1991 Seron 24/3.4

5,325,568 A * 7/1994 Bruhm 24/301
D382,503 S * 8/1997 Kalbach D11/7
D386,610 S * 11/1997 Wright D3/207
D462,523 S * 9/2002 Kalbach D3/327
D467,520 S * 12/2002 Petros D11/200
D537,074 S * 2/2007 Andre et al. D14/217
D541,190 S * 4/2007 Plzak D11/200
D557,008 S * 12/2007 Stiller D3/207
D628,122 S * 11/2010 Sanders D11/200

* cited by examiner

Primary Examiner — Ralf Seifert

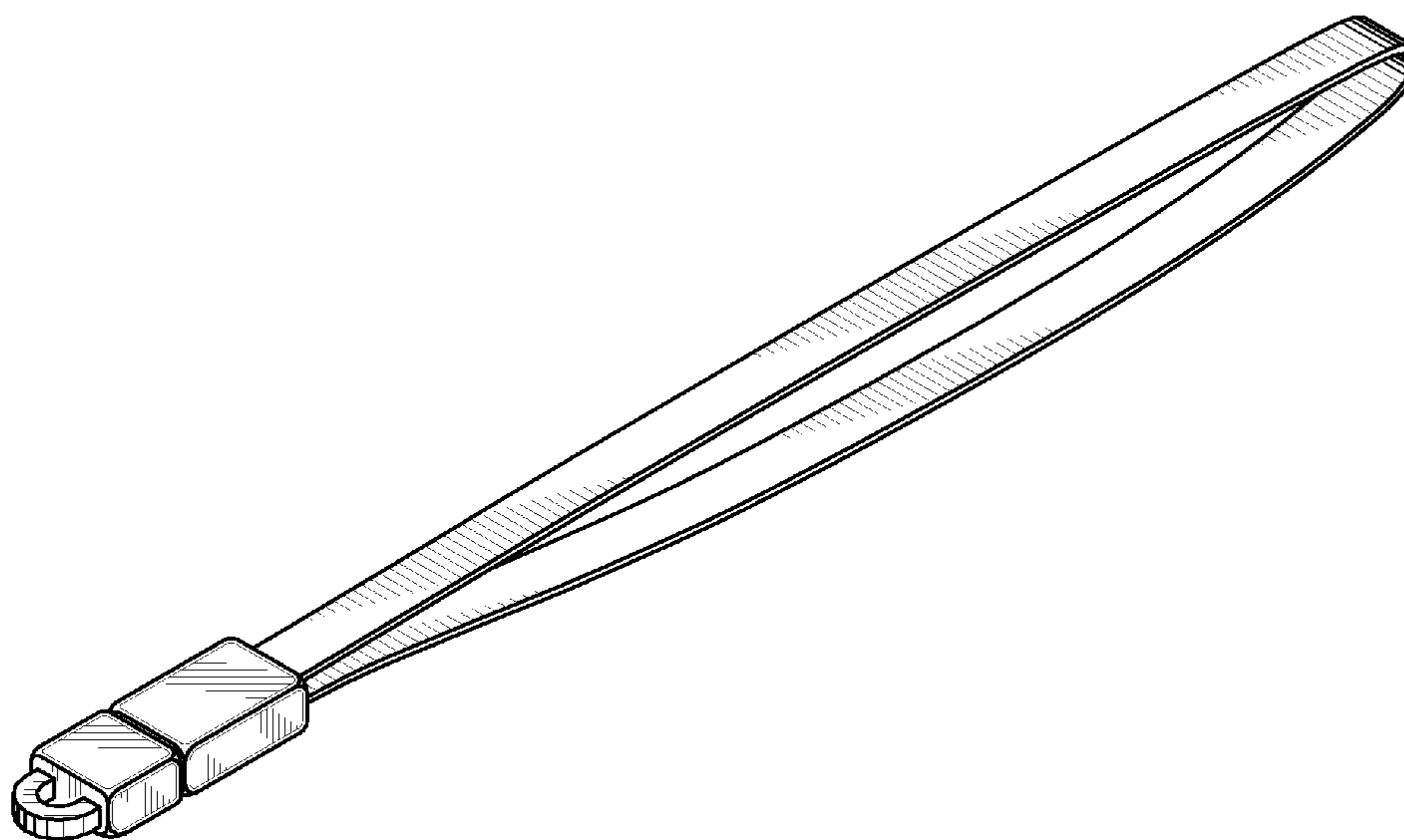
(57) **CLAIM**

We claim the ornamental design for a strap, as shown and described.

DESCRIPTION

FIG. 1 is a front perspective view of a strap;
FIG. 2 is a top plan view thereof;
FIG. 3 is a bottom plan view thereof;
FIG. 4 is a rear elevational view thereof;
FIG. 5 is a front elevational view thereof.
FIG. 6 is a left elevational view thereof; and,
FIG. 7 is a right elevational view thereof.

1 Claim, 3 Drawing Sheets



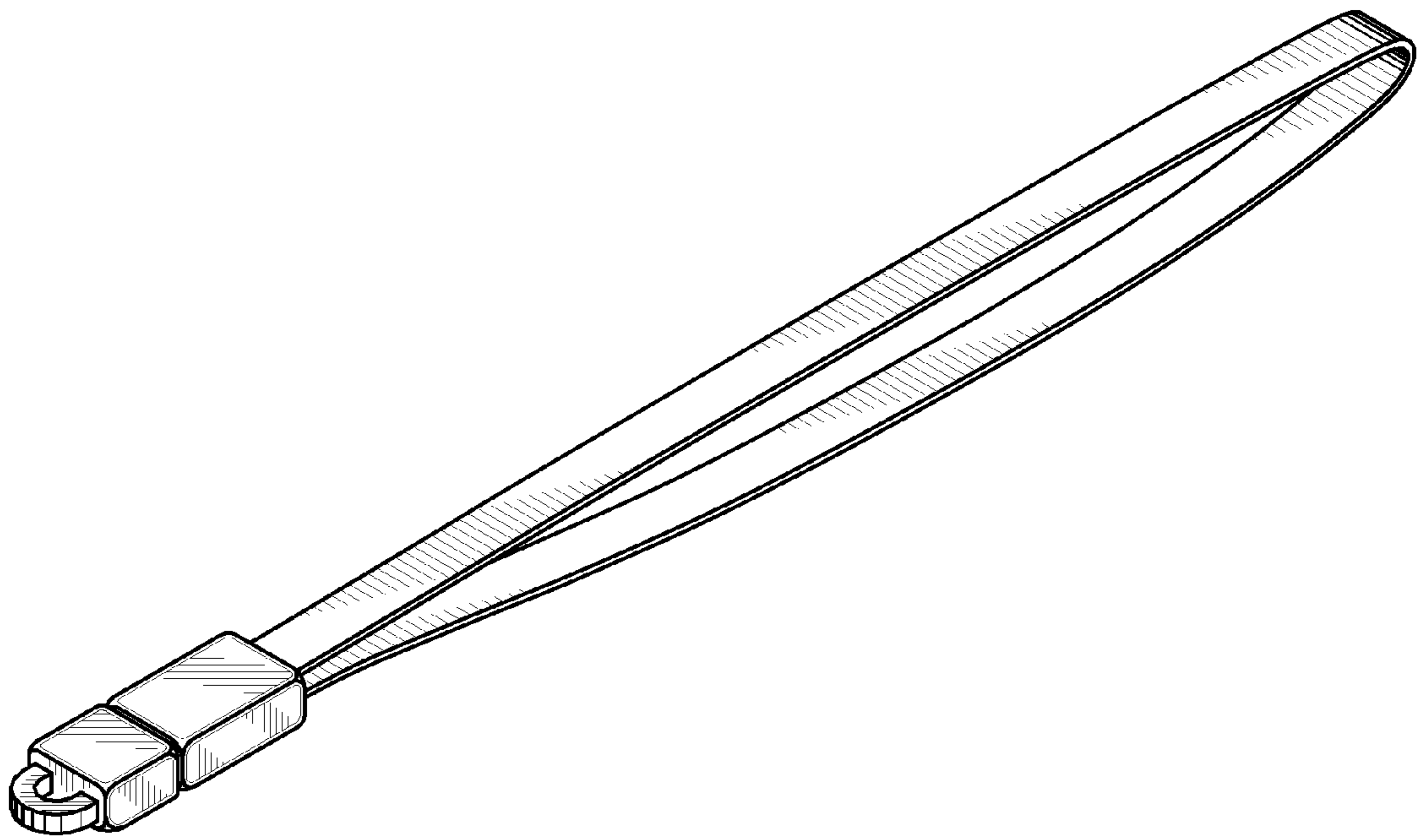


FIG.1

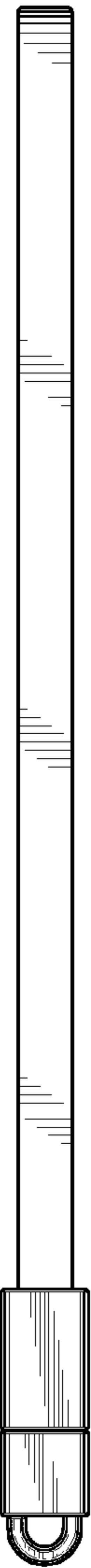


FIG. 2

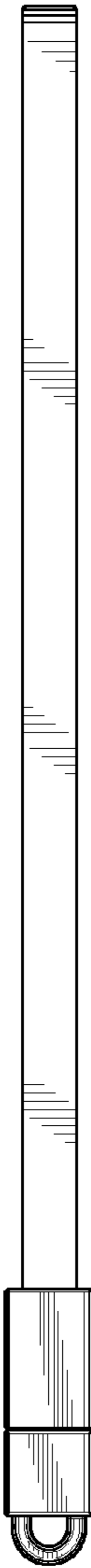


FIG. 3

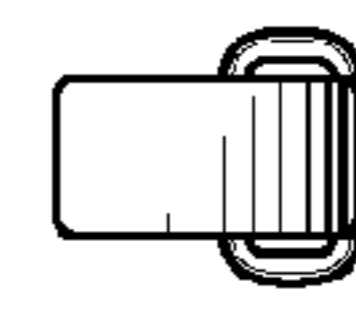


FIG. 4

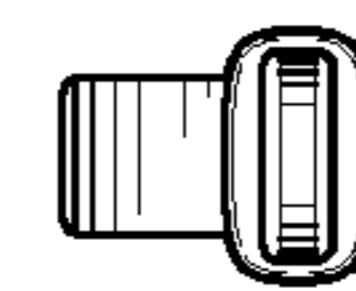


FIG. 5

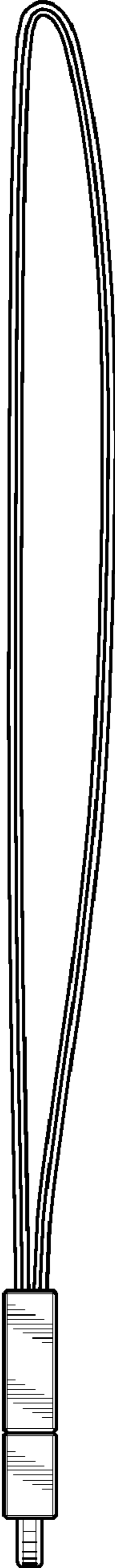


FIG. 6

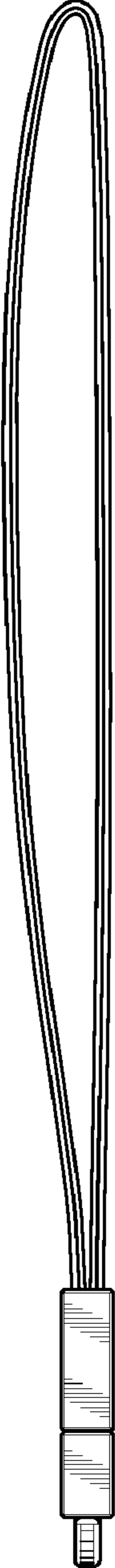


FIG. 7