



US00D638329S

(12) **United States Design Patent**
Wu

(10) **Patent No.:** **US D638,329 S**

(45) **Date of Patent:** **** May 24, 2011**

(54) **MULTIFUNCTIONAL FLAG ROD HOLDER**

(76) Inventor: **Yi-Ni Wu**, Jiuru Township (TW)

(**) Term: **14 Years**

(21) Appl. No.: **29/380,608**

(22) Filed: **Dec. 8, 2010**

(51) **LOC (9) Cl.** **11-05**

(52) **U.S. Cl.** **D11/182**

(58) **Field of Classification Search** D11/165–183;
D20/16, 17, 21, 28, 41–43; 40/218, 584,
40/604, 606.01, 606.15, 607.01, 607.03,
40/607.05; 116/173–175; 248/200, 218.4,
248/511, 514, 518–521, 534–539; 473/174,
473/176

See application file for complete search history.

(56) **References Cited**

U.S. PATENT DOCUMENTS

1,828,892	A *	10/1931	Felton	116/173
3,016,035	A *	1/1962	Asbury	116/63 P
3,902,818	A *	9/1975	Boone	404/10
D354,712	S *	1/1995	Moat	D11/166
5,480,142	A *	1/1996	Ackerman	473/178
6,080,089	A *	6/2000	Nicholson	482/83
6,446,930	B1 *	9/2002	Li	248/519
D472,847	S *	4/2003	Somers	D11/181
7,147,399	B2 *	12/2006	Viscount et al.	403/349
D550,289	S *	9/2007	Prokop	D20/41

7,793,910	B2 *	9/2010	Salman	248/519
2004/0006900	A1 *	1/2004	Beller	40/329
2010/0281791	A1 *	11/2010	Intagliata et al.	52/127.12

* cited by examiner

Primary Examiner — Karen S Acker

(74) *Attorney, Agent, or Firm* — Wang Law Firm, Inc.; Li K. Wang

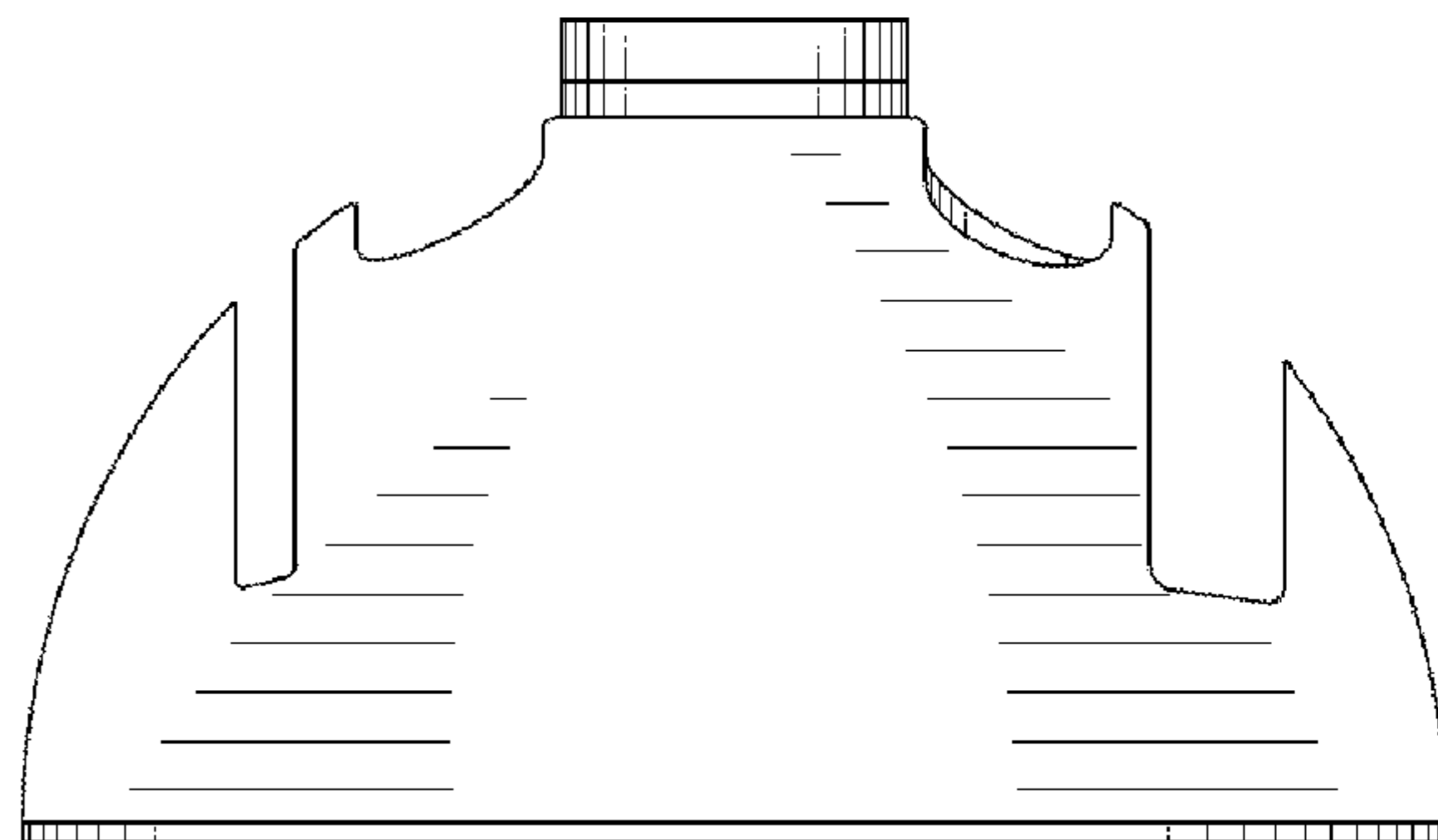
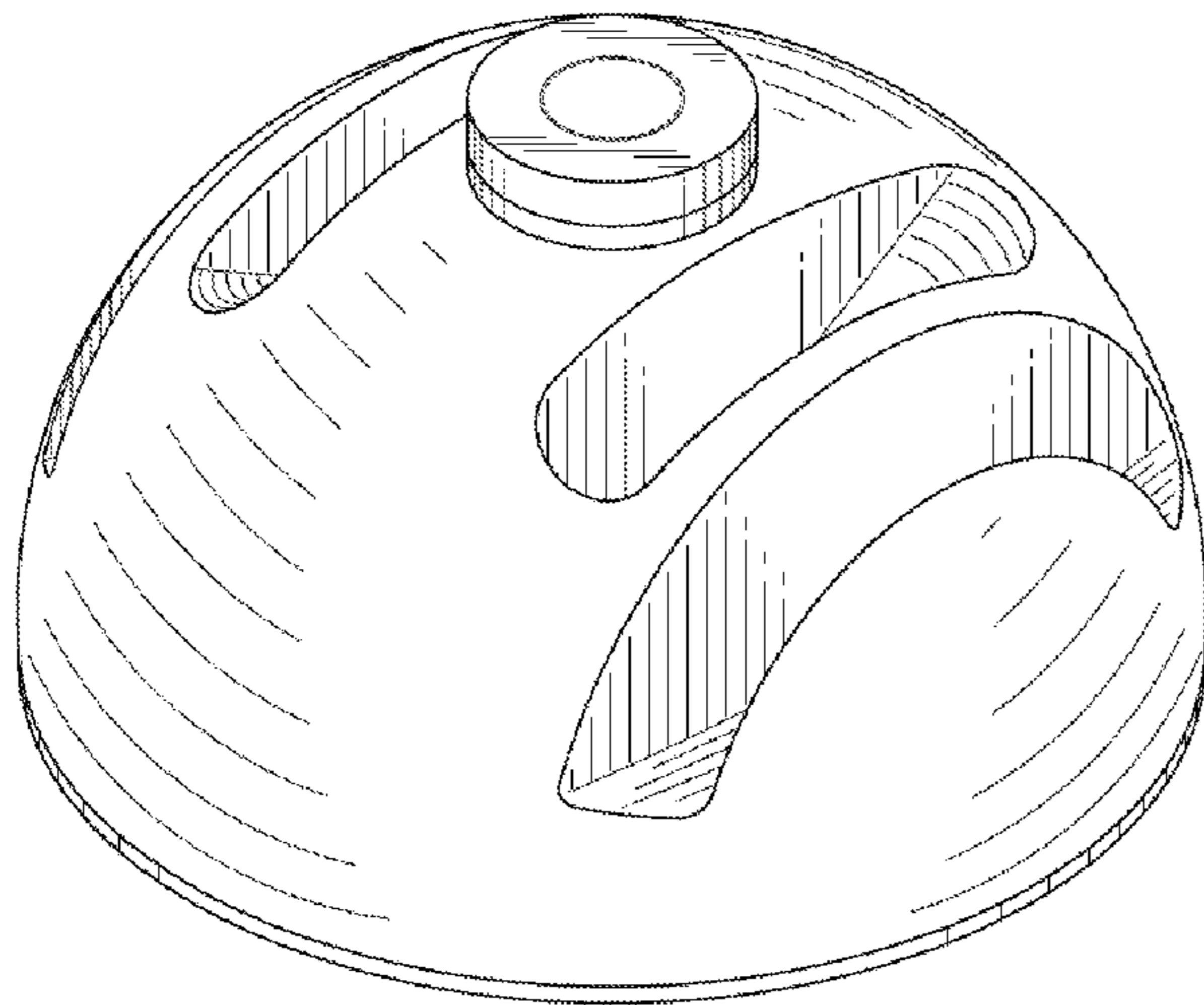
(57) **CLAIM**

The ornamental design for a multifunctional flag rod holder, as shown and described.

DESCRIPTION

FIG. 1 is a perspective view of a multifunctional flag rod holder showing my new design;
 FIG. 2 is a front elevational view thereof;
 FIG. 3 is a rear elevational view thereof;
 FIG. 4 is a left side elevational view thereof;
 FIG. 5 is a right side elevational view thereof;
 FIG. 6 is a top plan view thereof;
 FIG. 7 is a bottom plan view thereof; and
 FIG. 8 is a perspective view showing the multifunctional flag rod holder of FIG. 1 in a position of use; and,
 FIG. 9 is a perspective view showing the multifunctional flag rod holder of FIG. 1 in an alternate position of use.
 The broken lines in the drawing represent unclaimed environmental subject matter and form no part of the claimed design.

1 Claim, 7 Drawing Sheets



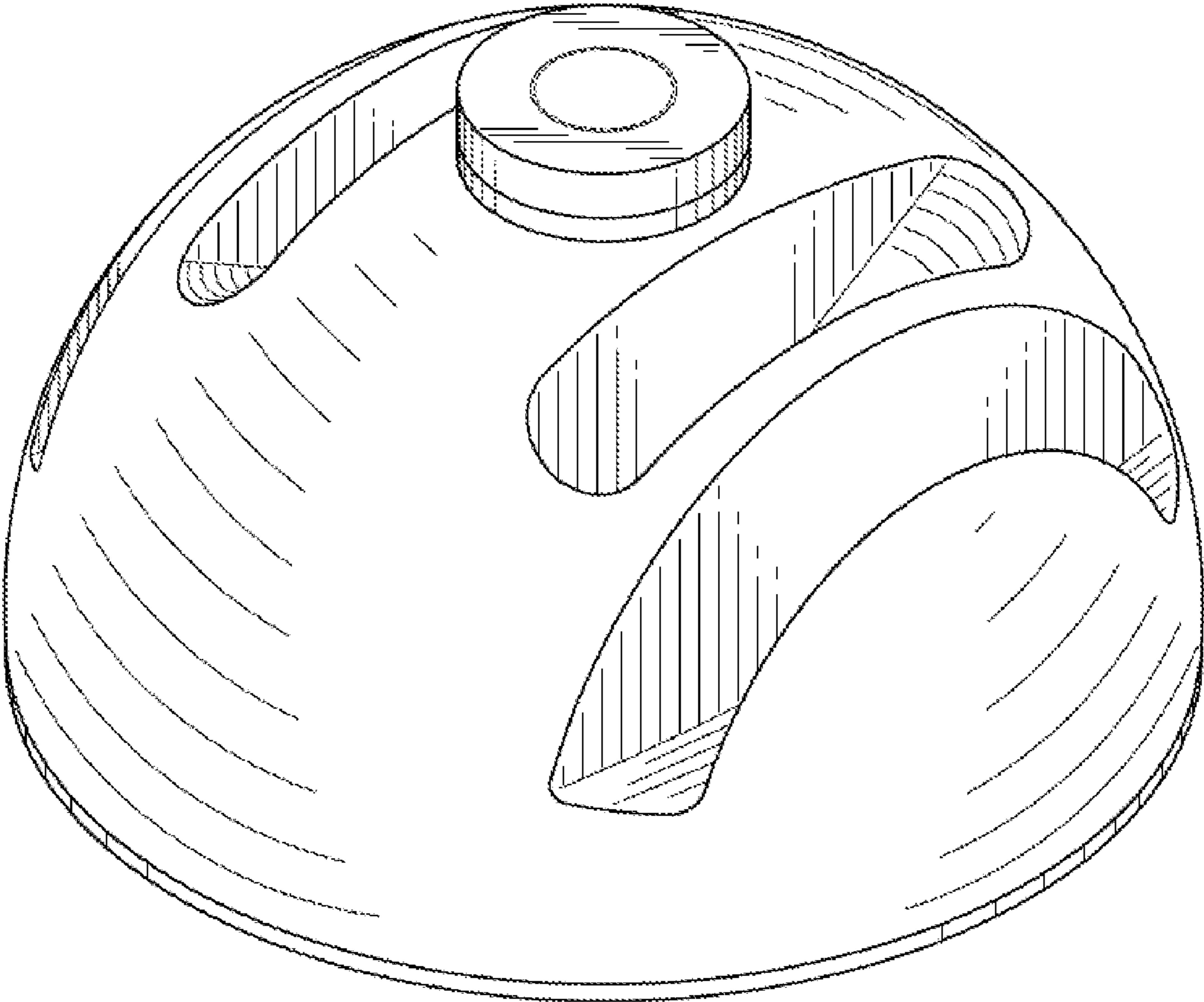


FIG. 1

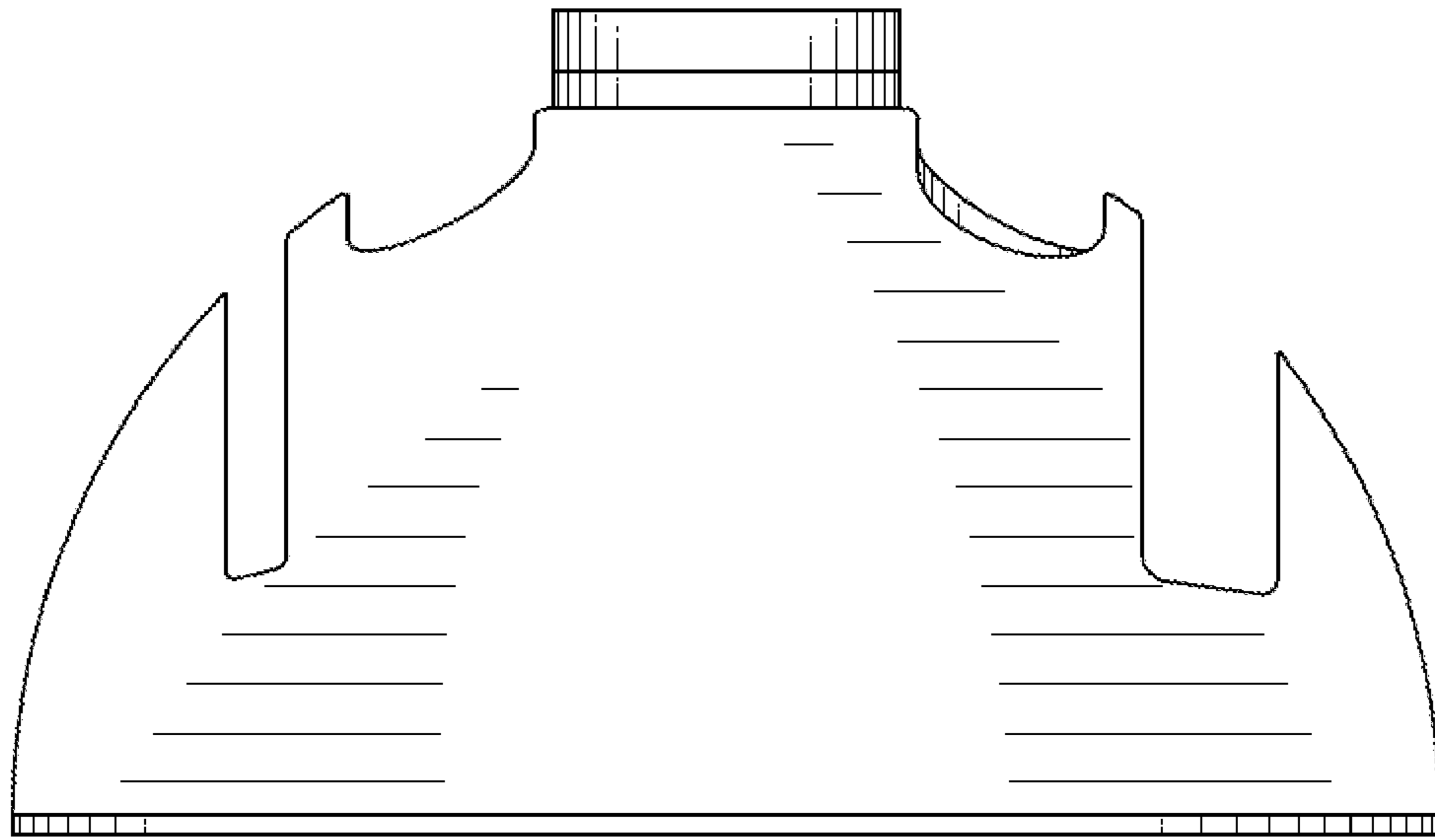


FIG. 2

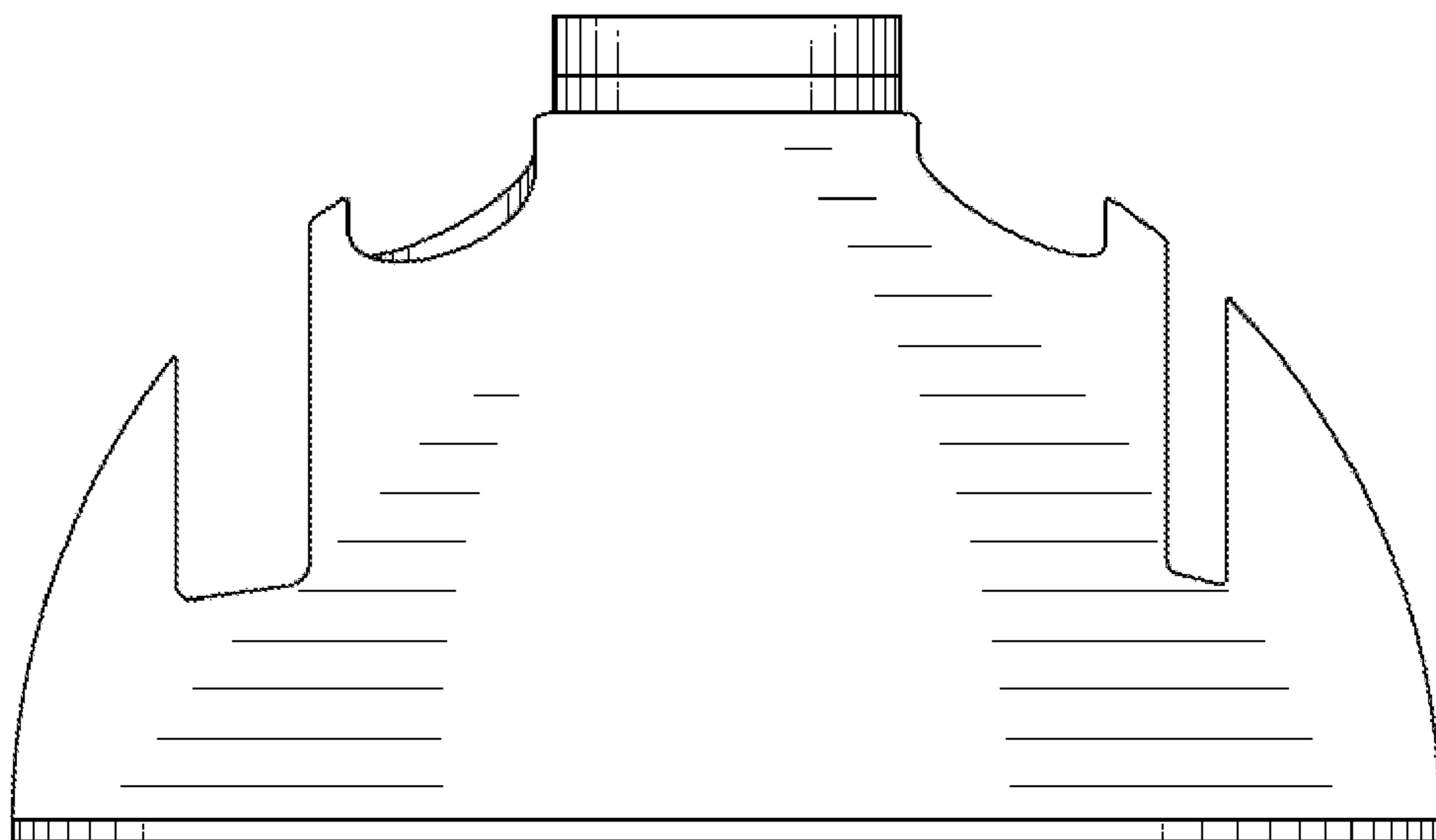


FIG. 3

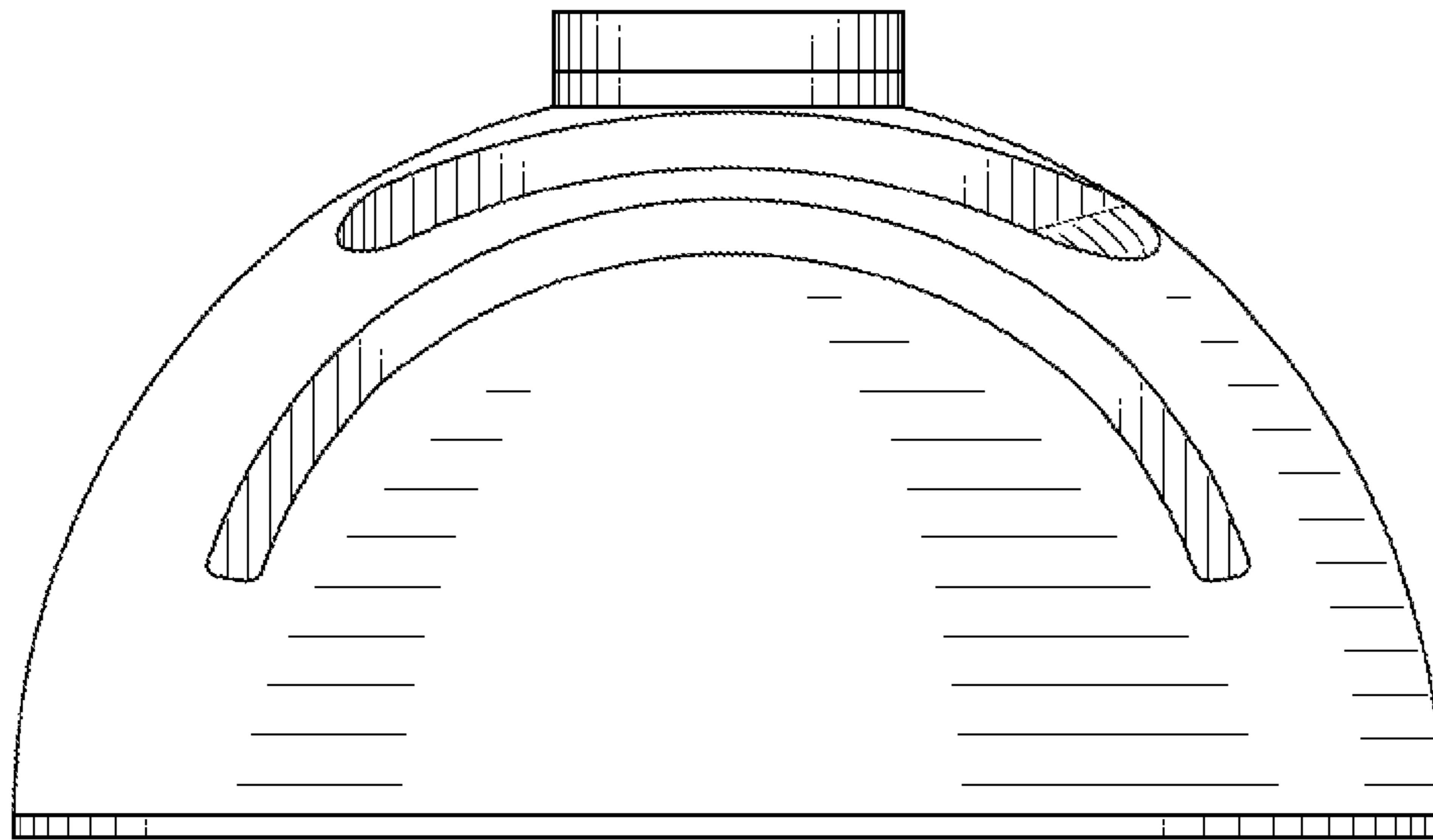


FIG. 4

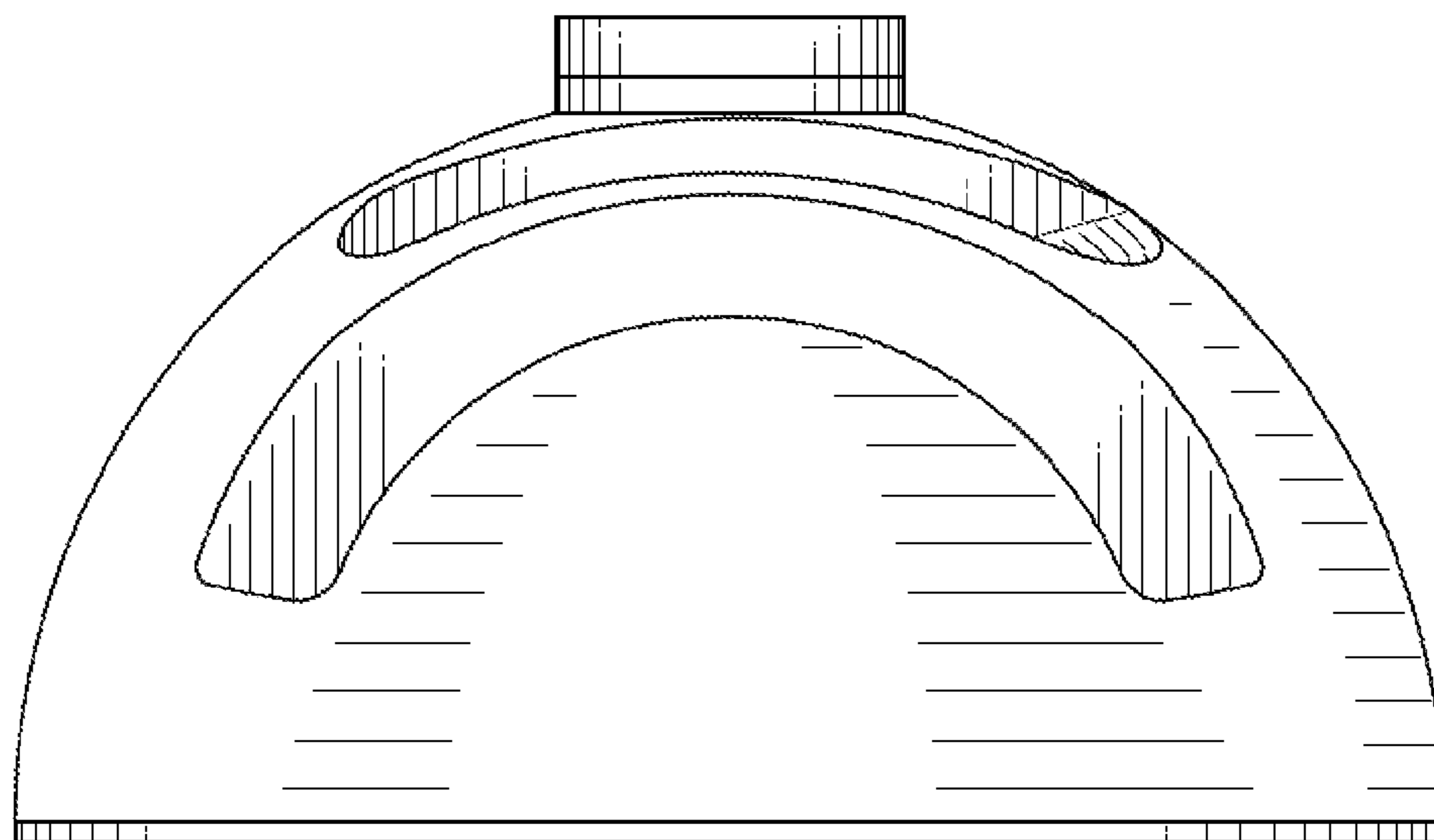


FIG. 5

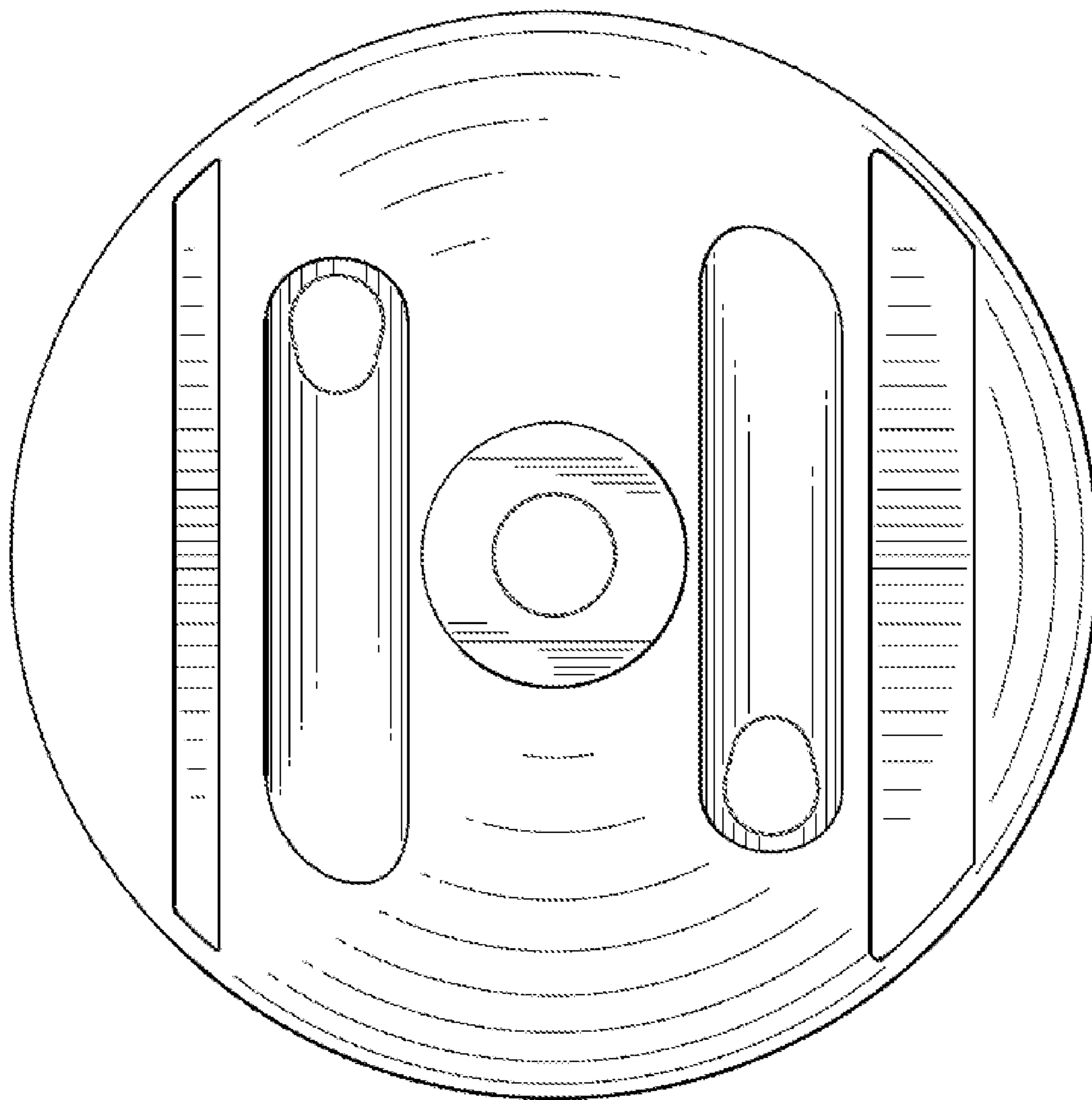


FIG. 6

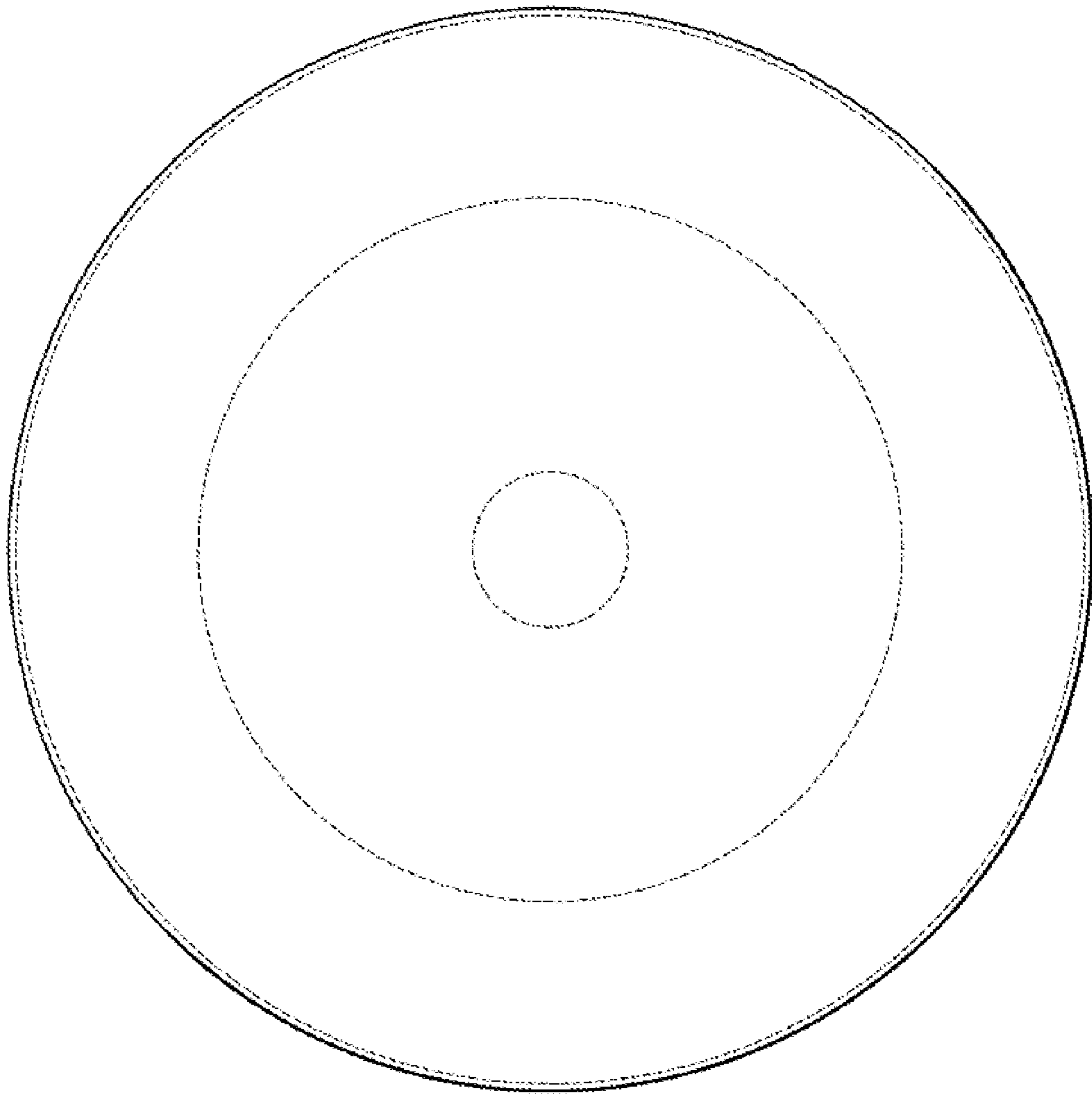


FIG. 7

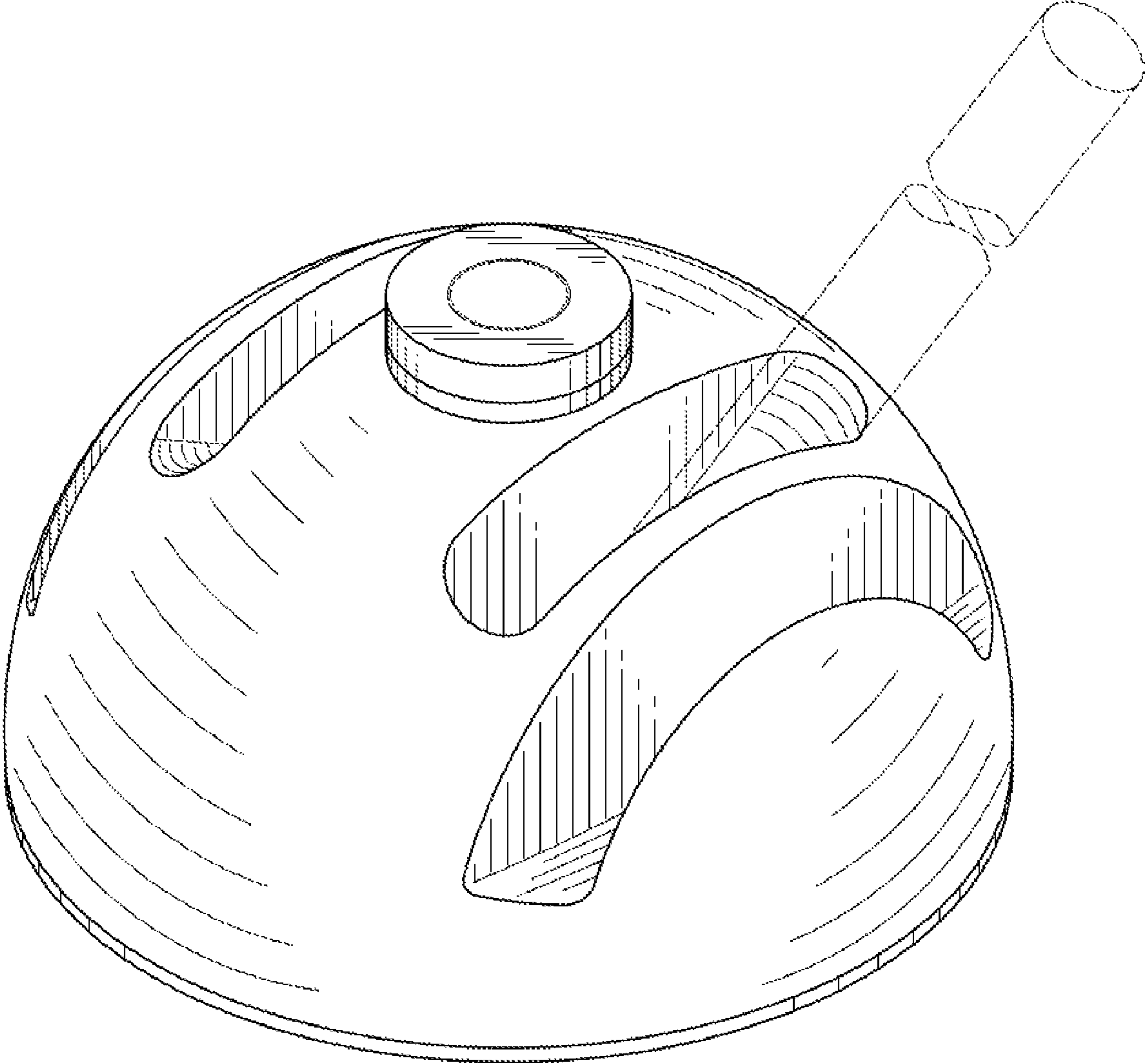


FIG. 8

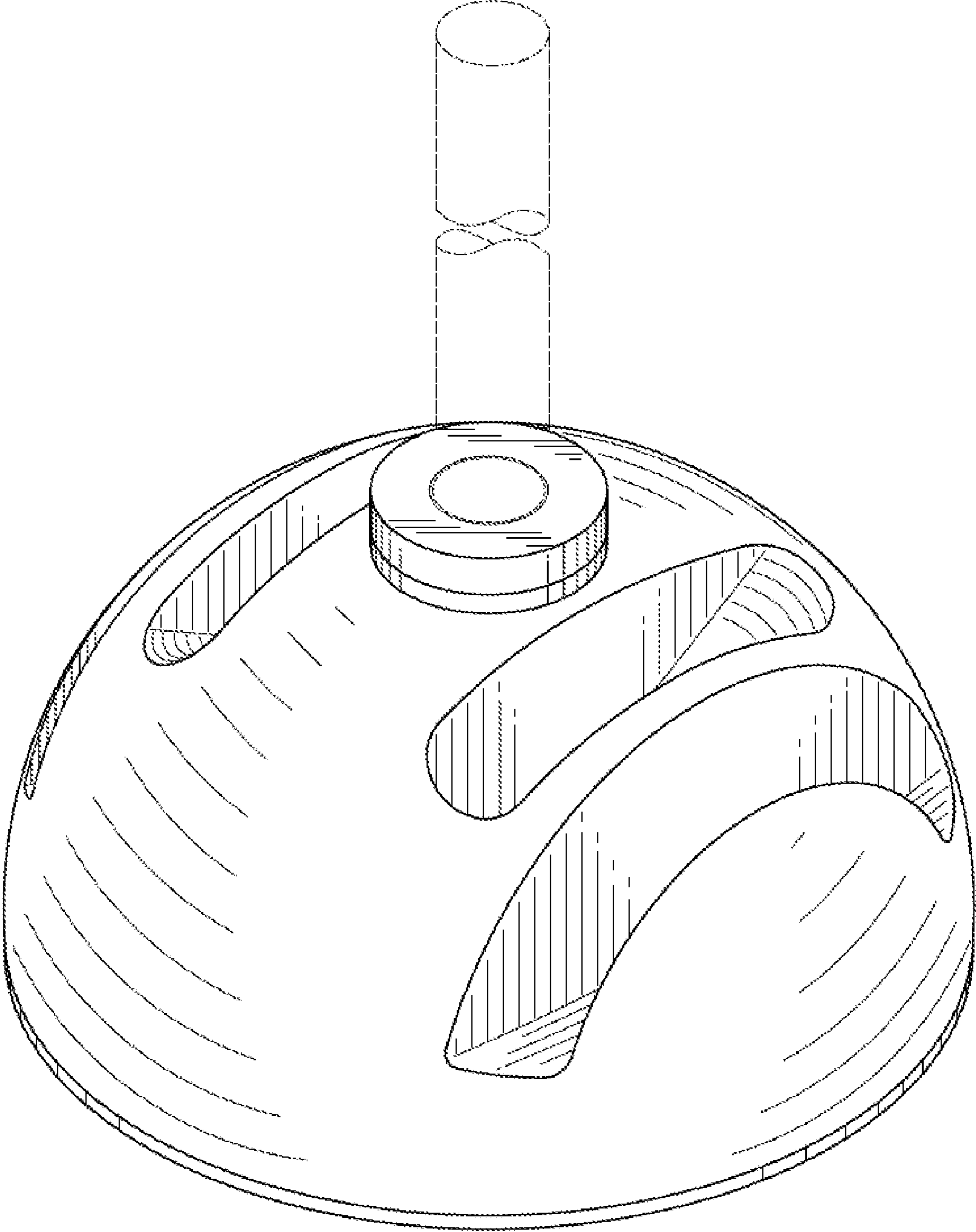


FIG. 9