



US00D638327S

(12) **United States Design Patent**
Cobbett et al.

(10) **Patent No.:** **US D638,327 S**
(45) **Date of Patent:** **** May 24, 2011**

(54) **WATCH**

(75) Inventors: **Jamian R. Cobbett**, Portland, OR (US);
Philip A. Frank, Portland, OR (US)

(73) Assignee: **NIKE, Inc.**, Beaverton, OR (US)

(**) Term: **14 Years**

(21) Appl. No.: **29/382,493**

(22) Filed: **Jan. 4, 2011**

(51) **LOC (9) Cl.** **11-01**

(52) **U.S. Cl.** **D11/94; D11/86; D11/3**

(58) **Field of Classification Search** D11/1-25,
D11/86-94; 63/1.11, 2, 3; D10/30-38;
224/162-177; 24/31 B, 31 H, 265 R, 265 B,
24/265 EC, 265 WS, 68 R

See application file for complete search history.

(56) **References Cited**

U.S. PATENT DOCUMENTS

370,267	A *	9/1887	Luft	236/85
1,276,232	A *	8/1918	Dederer et al.	24/191
1,774,544	A *	9/1930	Barrowman	24/71 J
2,191,314	A	2/1940	Davis	
2,467,204	A *	4/1949	Greenberg	24/68 R
3,237,395	A *	3/1966	Bennett	59/82
3,422,507	A *	1/1969	Hideo	24/265 WS
D217,015	S	3/1970	Cowan	
3,521,798	A	7/1970	Hill	
D220,523	S	4/1971	Cowan	
D220,524	S	4/1971	Cowan	
D220,529	S	4/1971	Cowan	
3,574,903	A *	4/1971	Namiki	24/265 WS
3,609,963	A *	10/1971	Ichinoss	59/80
D248,631	S	7/1978	Lossini	
D254,964	S	5/1980	Hofman	
D255,017	S	5/1980	Hofman	
D279,671	S	7/1985	Stanton	
D285,422	S	9/1986	Grimes	
D286,511	S	11/1986	Wada	
D291,973	S	9/1987	Doi	
D317,872	S	7/1991	Dobashi	

D327,440	S	6/1992	Galli
D339,748	S	9/1993	Choi
D346,762	S	5/1994	Hysek
D349,257	S	8/1994	Polenberg
D355,611	S	2/1995	Hanagata
D366,036	S	1/1996	Houlihan
D391,860	S	3/1998	Kubo
D395,403	S	6/1998	Hysek
D401,159	S	11/1998	Sugita
D410,854	S	6/1999	Cheung et al.
D445,697	S	7/2001	Hysek
D448,680	S	10/2001	Kubo

(Continued)

OTHER PUBLICATIONS

Nike+ SportBand, Nike, Inc., one full-color sheet of photographs, disclosed on or about Apr. 2008.

(Continued)

Primary Examiner — Melanie Levy

(74) *Attorney, Agent, or Firm* — Banner & Witcoff, Ltd.

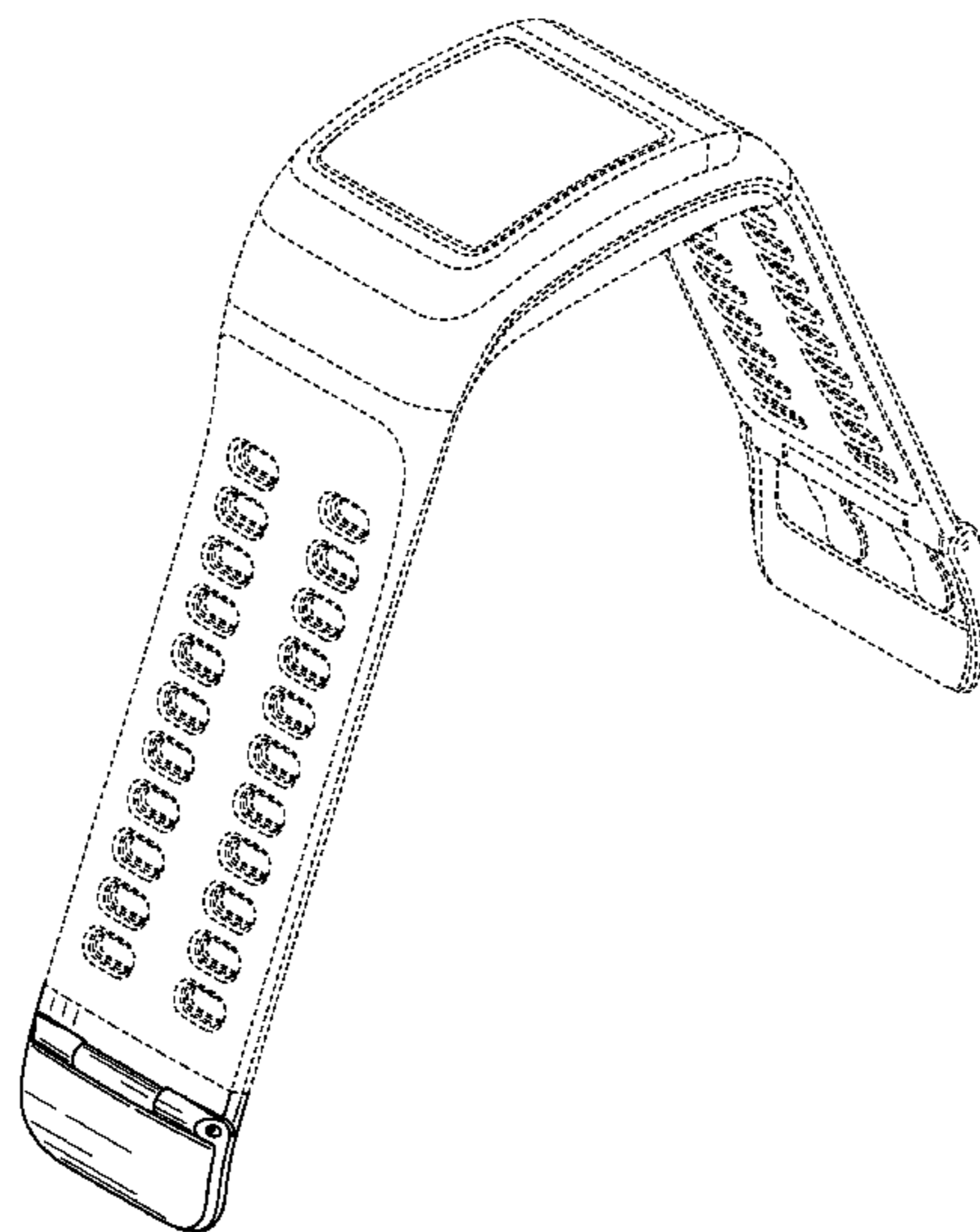
(57) **CLAIM**

The ornamental design for a watch, as shown and described.

DESCRIPTION

FIG. 1 is a perspective view of a watch showing our new design;
FIG. 2 is a bottom view thereof;
FIG. 3 is a top view thereof;
FIG. 4 is a right side view thereof;
FIG. 5 is a left side view thereof;
FIG. 6 is a front view thereof;
FIG. 7 is a rear view thereof; and,
FIG. 8 is an enlarged rear view of the claimed region.
The broken lines immediately adjacent to the shaded area represent unclaimed boundaries of the design. The broken lines showing the remainder of the watch are for environmental purposes only and form no part of the claimed design.

1 Claim, 6 Drawing Sheets



U.S. PATENT DOCUMENTS

D452,006	S	12/2001	Komulainen
D455,084	S	4/2002	Mauboussin
D460,430	S	7/2002	Wada et al.
D464,273	S	10/2002	Nussbaum
D475,306	S	6/2003	Modolo
D497,827	S	11/2004	Yamamoto
D508,210	S	8/2005	Lalo
D513,195	S	12/2005	Gruosi
D526,215	S	8/2006	Calvani
D526,912	S	8/2006	Calvani
D535,205	S	1/2007	Frederick et al.
D538,687	S	3/2007	Komulainen
D564,367	S	3/2008	Molyneux
D580,277	S	11/2008	Brady et al.
D581,826	S	12/2008	Molyneux
D589,375	S	3/2009	Tang
D590,278	S	4/2009	Holtzman
D606,423	S	12/2009	Mille
D619,928	S	7/2010	Bodino et al.
7,778,118	B2	8/2010	Lyons et al.
D623,965	S	9/2010	Sullivan et al.
2010/0311544	A1	12/2010	Robinette et al.
2011/0003665	A1	1/2011	Burton et al.

OTHER PUBLICATIONS

Garmin Forerunner 310XT, disclosed on or about Apr. 2009, [online], [site visited Jan. 26, 2011]. Available from Internet, <URL: http://dvice.com/archives/2009/04/garmin_forerunn.php>.

E-Ink Digital Display Watch, disclosed on or about Feb. 2010, [online], [site visited Jan. 26, 2011]. Available from Internet, <URL: <http://www.thinkgeek.com>>.

Tokyoflash USB Memory Watch, disclosed on or about Mar. 2010, [online], [site visited Jan. 26, 2011]. Available from Internet, <URL: <http://www.tokyoflash.com/blog/2010/03/usb-memory-watch>>.

Gadget4All USB Wristwatch, disclosed on or about May 2009, [online], [site visited Jan. 26, 2011]. Available from Internet, <URL: <http://www.technology-guide.co.uk/post/2009/05/26/Watches-with-built-in-flash-drive.aspx>>.

Design-Brothers Timeless Watch, disclosed on or about Aug. 2008, [online], [site visited Jan. 26, 2011]. Available from Internet, <URL: <http://gadgets.boingboing.net/2008/08/08/usb-watch-strap-weds.html>>.

USB Bracelet, disclosed on or about Mar. 2006, [online], [site visited Jan. 26, 2011]. Available from Internet, <URL: <http://techtickerblog.com/2006/03/20/weird-usb-devices>>.

USB Memory Watch, disclosed on or about Nov. 2007, [online], [site visited Jan. 26, 2011]. Available from Internet, <URL: <http://www.citywatchinternational.com>>.

Edge Tech DiskGO USB Watch Flash Drive (Sport Style), disclosed on or about Jan. 2010, [online], [site visited Jan. 26, 2011]. Available from Internet, <URL: <http://www.edgetechcorp.com>>.

Migo Smart USB Watch, disclosed on or about Jun. 2005, [online], [site visited Jan. 26, 2011]. Available from Internet, <URL: <http://www.smh.com.au/newx/hardware/data-watch/2005/06/15/1118645849587.html>>.

Laks USB Drive Sports Watch, disclosed on or about Jul. 2003, [online], [site visited Jan. 26, 2011]. Available from Internet, <URL: <http://www.ateam.com.tw/usb%20watch.htm>>.

USB Hidden Flash Drive Watch, disclosed on or about Dec. 2008, [online], [site visited Jan. 26, 2011]. Available from Internet, <URL: <http://www.thinkgeek.com>>.

USB Flash Drive Watch, disclosed on or about Nov. 2010, [online], [site visited Jan. 26, 2011]. Available from Internet, <URL: <http://www.geekalerts.com/usb-flash-drive-watch>>.

Edge Tech DiskGO USB Watch Flash Drive (Dress Style), disclosed on or about Jan. 2010, [online], [site visited Jan. 26, 2011]. Available from Internet, <URL: <http://www.edgetechcorp.com>>.

USB Jewel Watch Necklace, disclosed on or about Jun. 2009, [online], [site visited Jan. 26, 2011]. Available from Internet, <URL: <http://gadgets.boingboing.net/2009/06/16/diamond-usb-watch-ne.html>>.

SpyNet Mission Video Watch, disclosed on or about Feb. 2010, [online], [site visited Jan. 26, 2011]. Available from Internet, <URL: <http://www.thinkgeek.com>>.

* cited by examiner

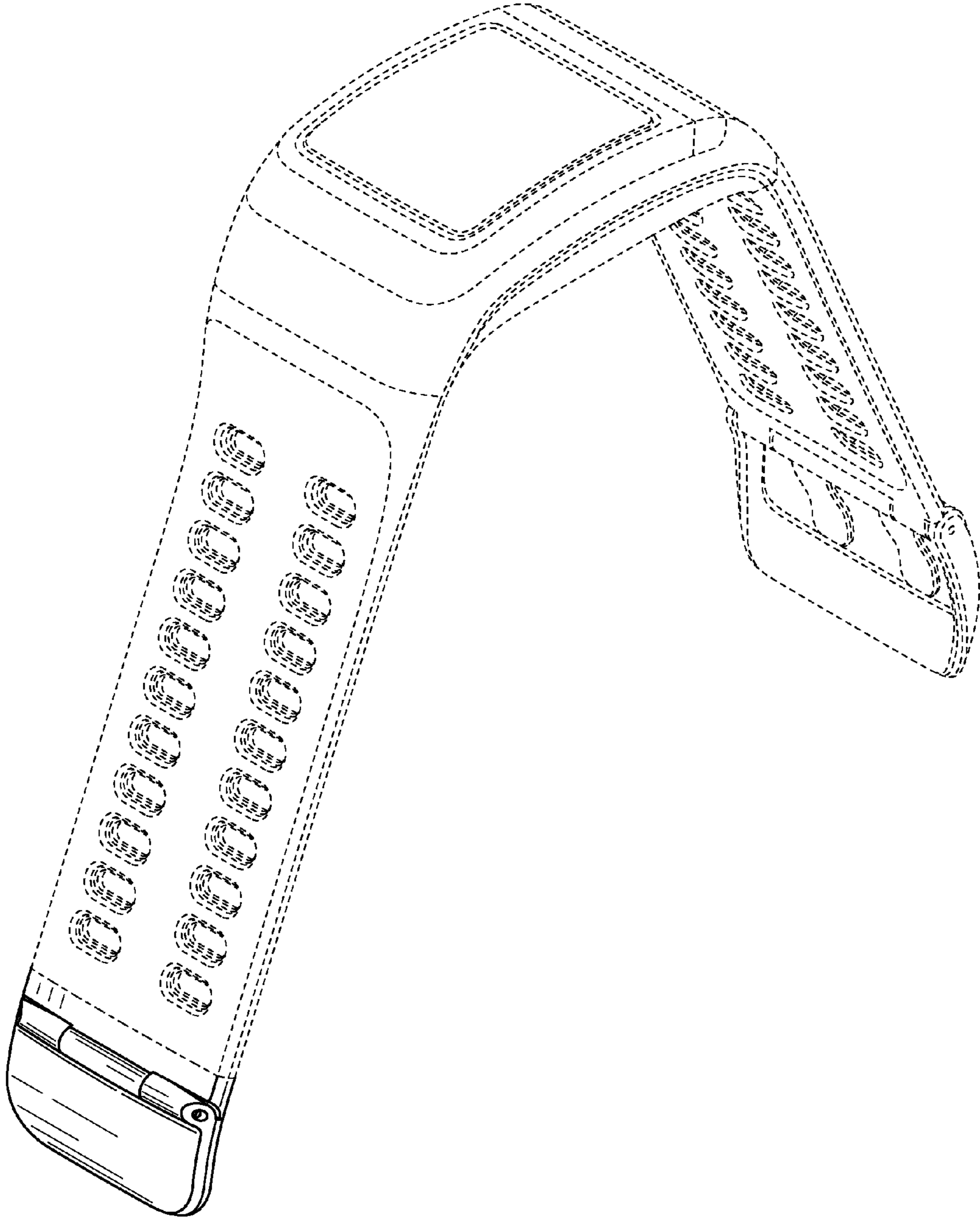


FIG. 1

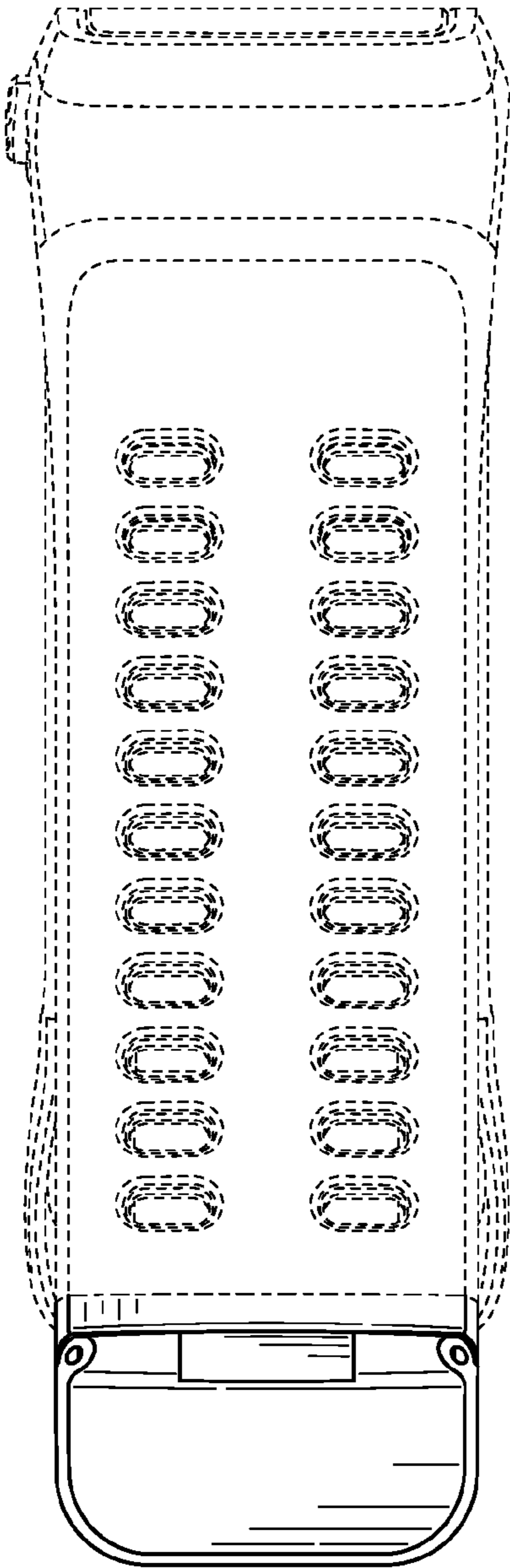


FIG. 2

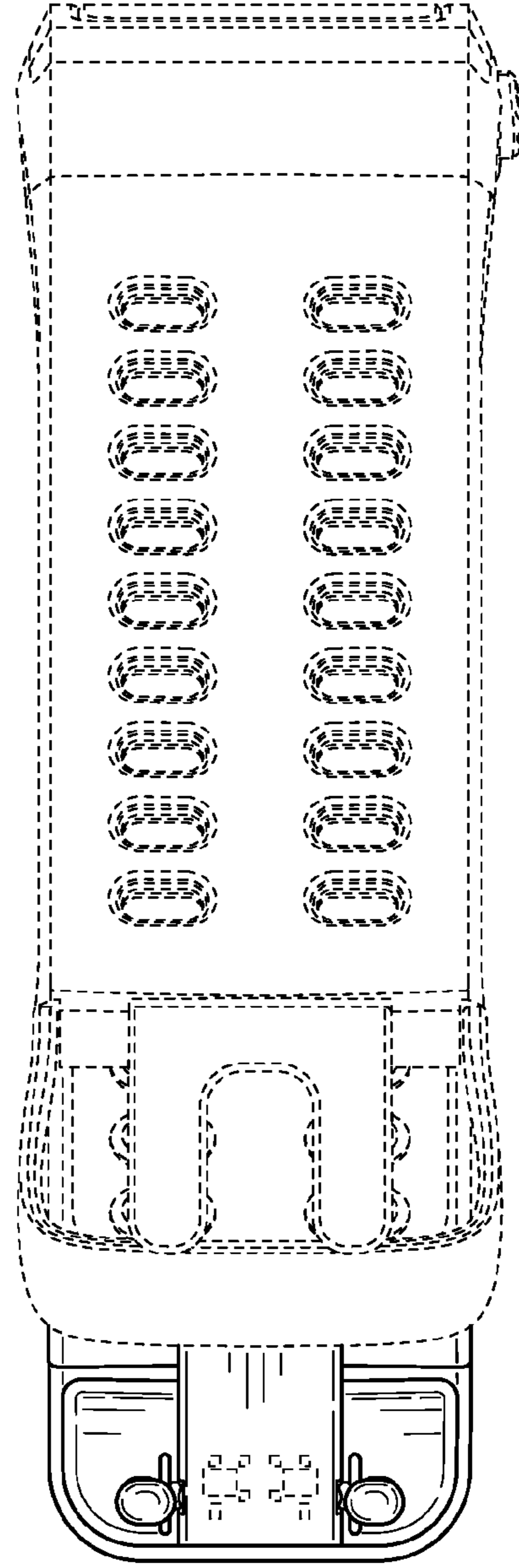


FIG. 3

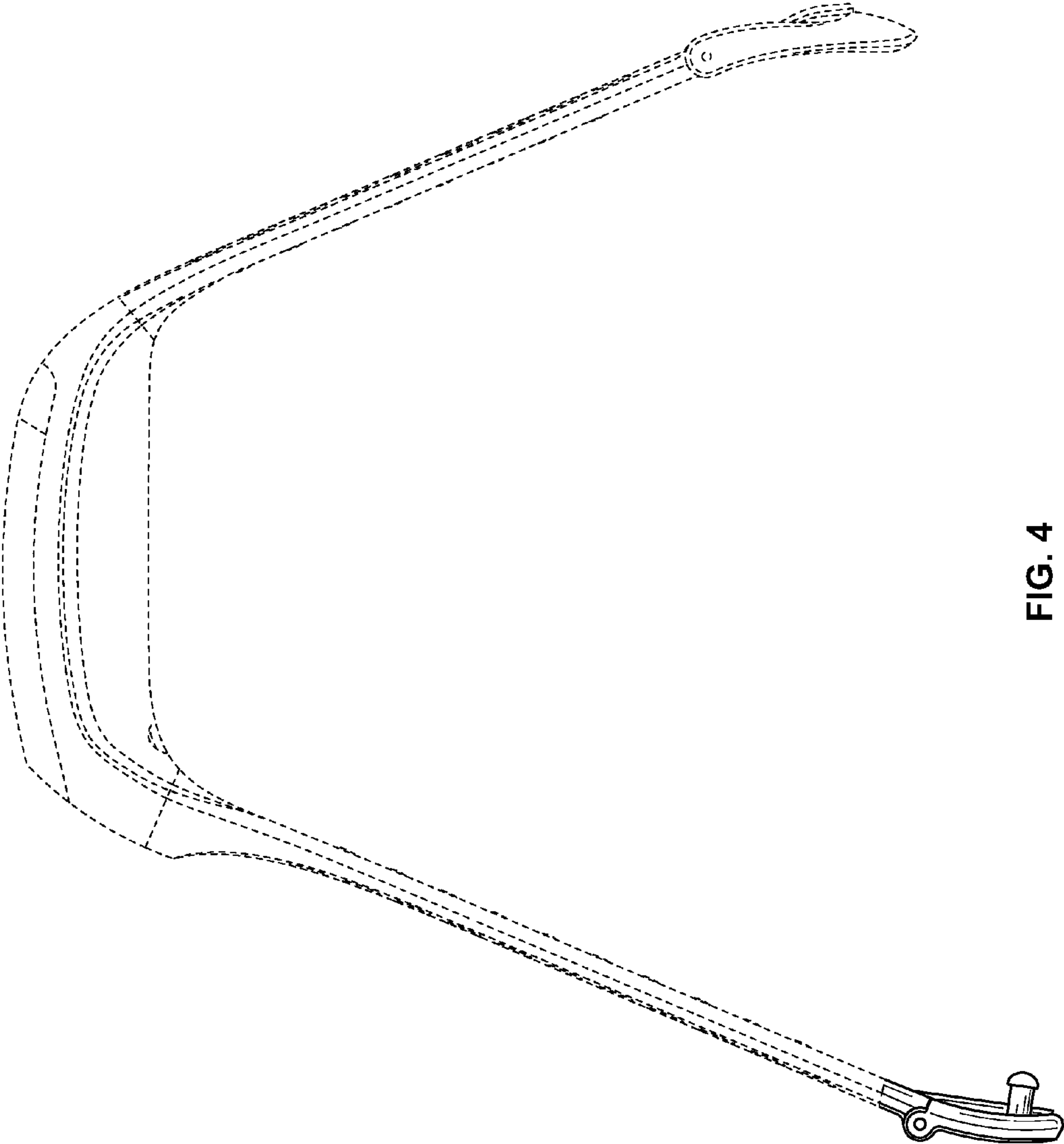


FIG. 4

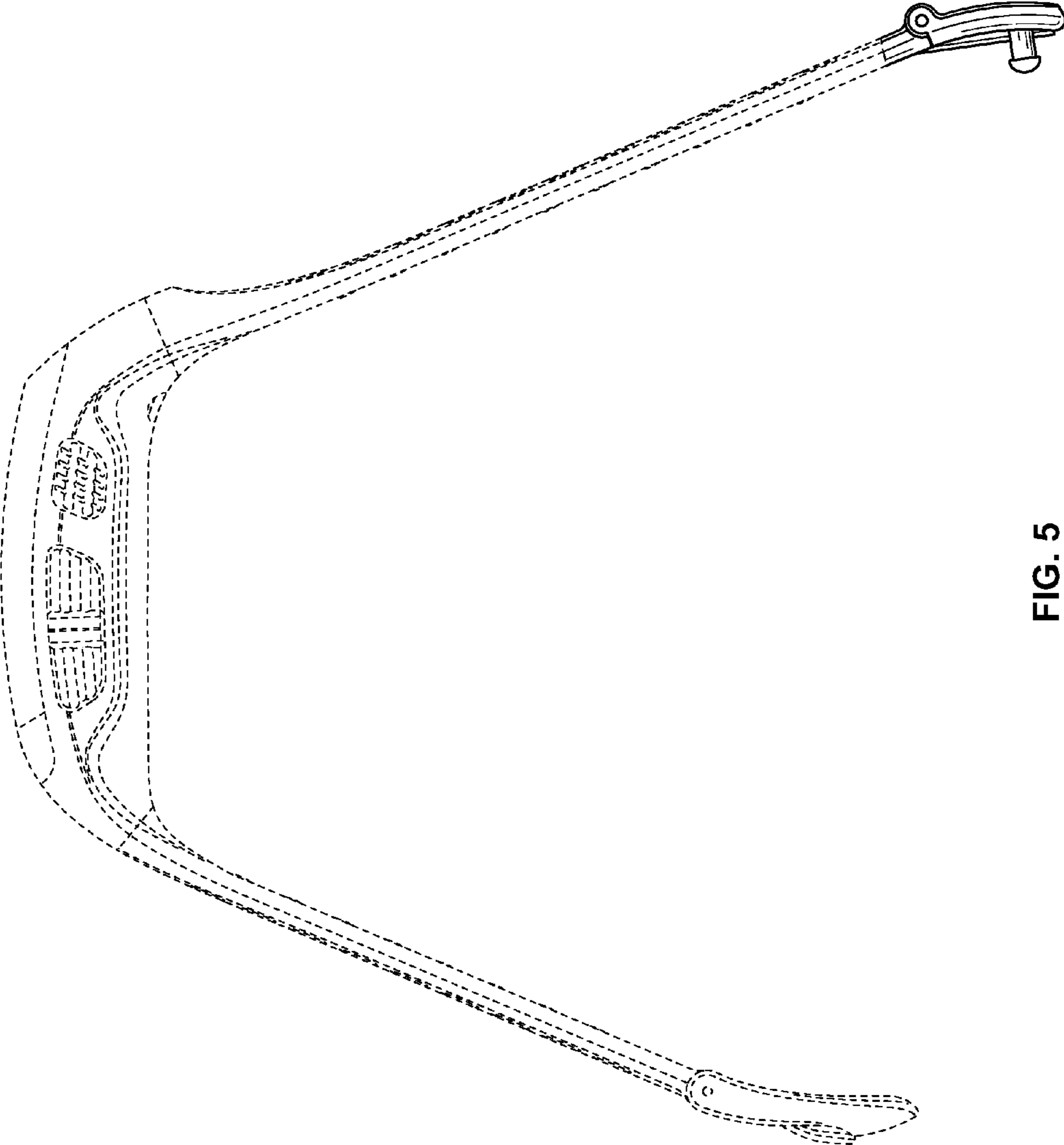


FIG. 5

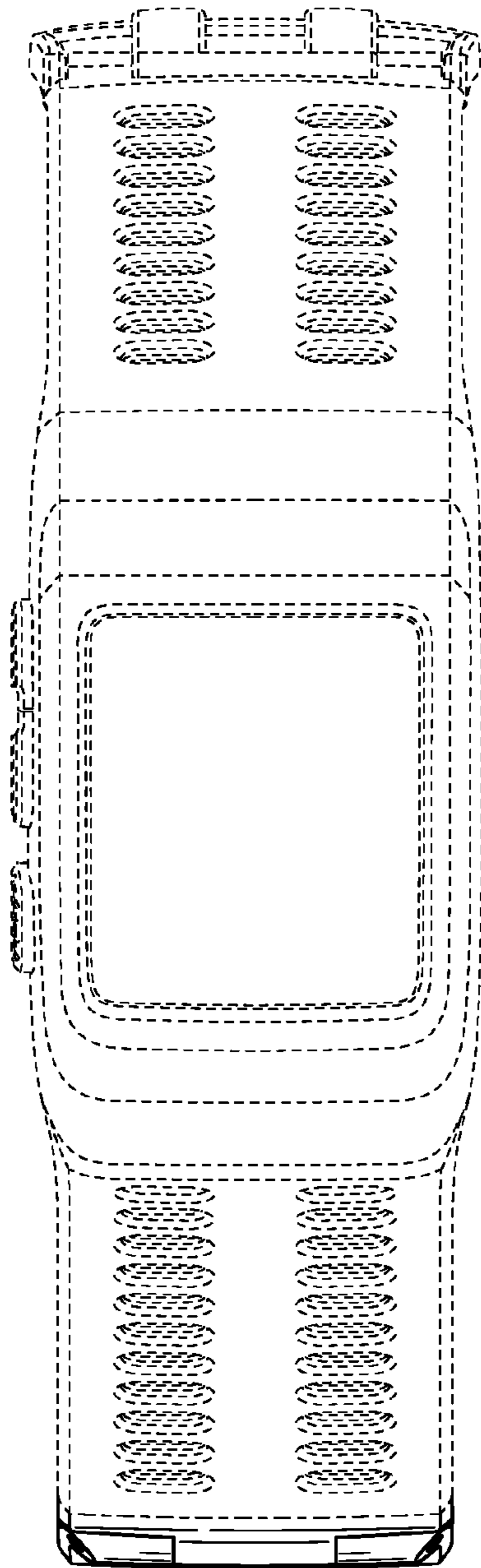


FIG. 6

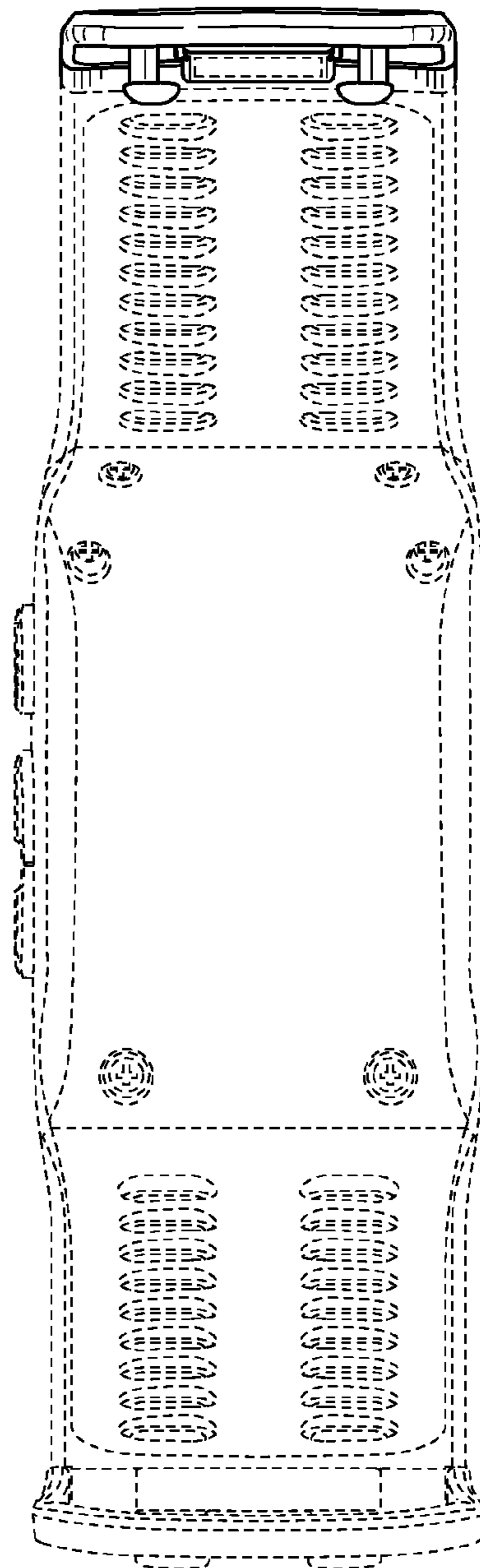


FIG. 7

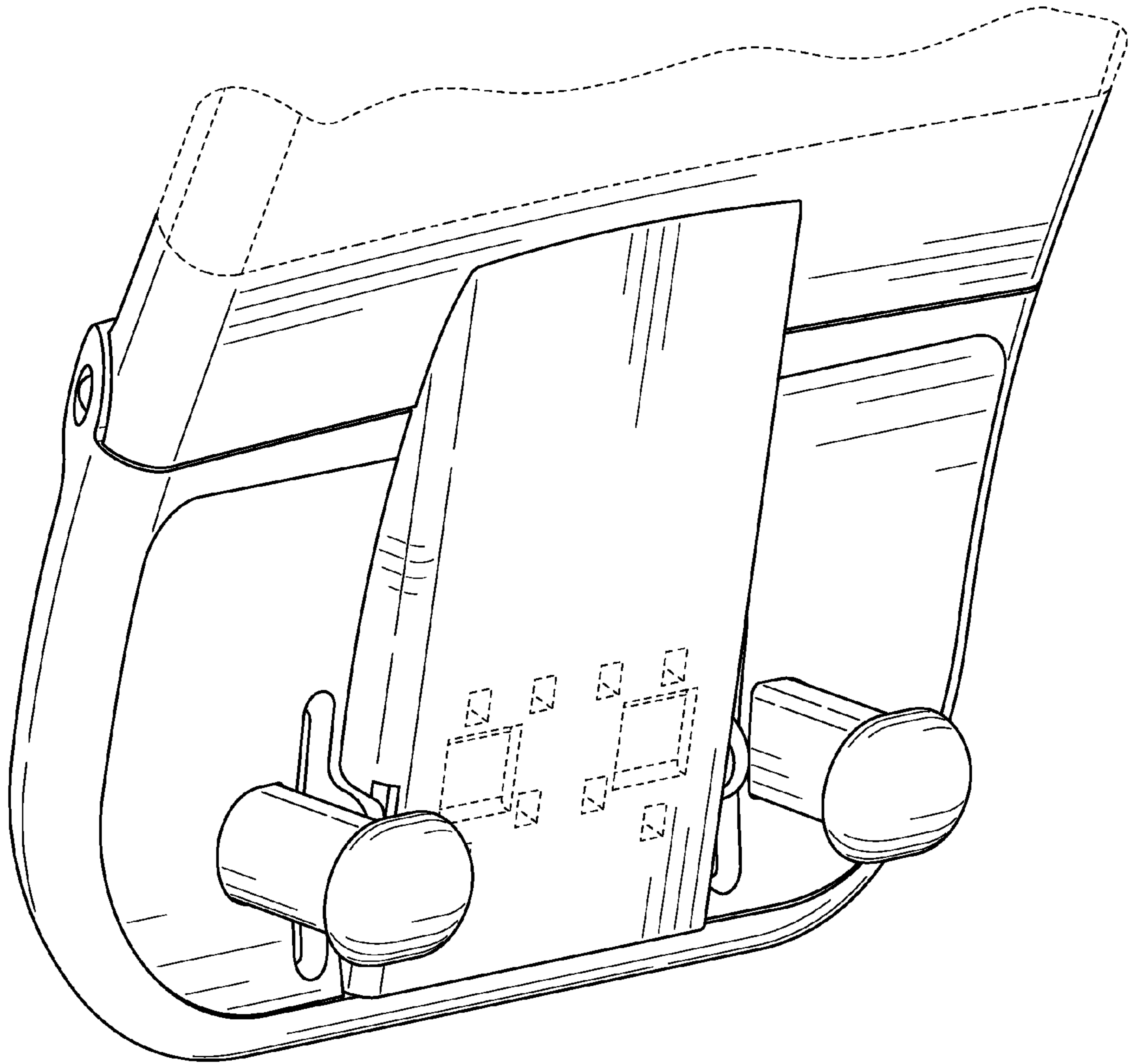


FIG. 8