



US00D638324S

(12) **United States Design Patent**
Tang

(10) **Patent No.:** **US D638,324 S**

(45) **Date of Patent:** **** May 24, 2011**

(54) **WATCH CARRIER**

(75) Inventor: **Jack Tang**, Taipei Hsien (TW)

(73) Assignee: **Pro TV Electronics Inc.**, Taipei (TW)

(**) Term: **14 Years**

(21) Appl. No.: **29/381,852**

(22) Filed: **Dec. 23, 2010**

(51) **LOC (9) Cl.** **10-07**

(52) **U.S. Cl.** **D10/128**

(58) **Field of Classification Search** D10/30-39,
D10/128, 122; 368/276, 281, 282, 283, 285,
368/286, 287; D11/3

See application file for complete search history.

(56) **References Cited**

U.S. PATENT DOCUMENTS

2,473,226	A	*	6/1949	Sheldon	224/219
D162,179	S	*	2/1951	Keller	D10/128
D225,763	S	*	1/1973	de Baschmakoff	D11/4
D230,883	S	*	3/1974	Brigham	D10/122
D268,169	S	*	3/1983	DeChristopher	D10/46.1
D351,799	S	*	10/1994	Bulgari	D10/39
D361,726	S	*	8/1995	Mabbitt	D10/32
D367,820	S	*	3/1996	Helleu	D10/32
D390,127	S	*	2/1998	Kennedy	D10/32
D414,706	S	*	10/1999	Jorst	D10/32
D470,778	S	*	2/2003	Berke	D10/32
D539,671	S	*	4/2007	Lassigne	D10/32

D545,220	S	*	6/2007	Leung	D10/31
D564,367	S	*	3/2008	Molyneux	D10/31
D589,375	S	*	3/2009	Tang	D10/32
2011/0032105	A1	*	2/2011	Hoffman et al.	340/573.1

* cited by examiner

Primary Examiner — Lucy Lieberman

(74) *Attorney, Agent, or Firm* — Muncy, Geissler, Olds & Lowe, PLLC

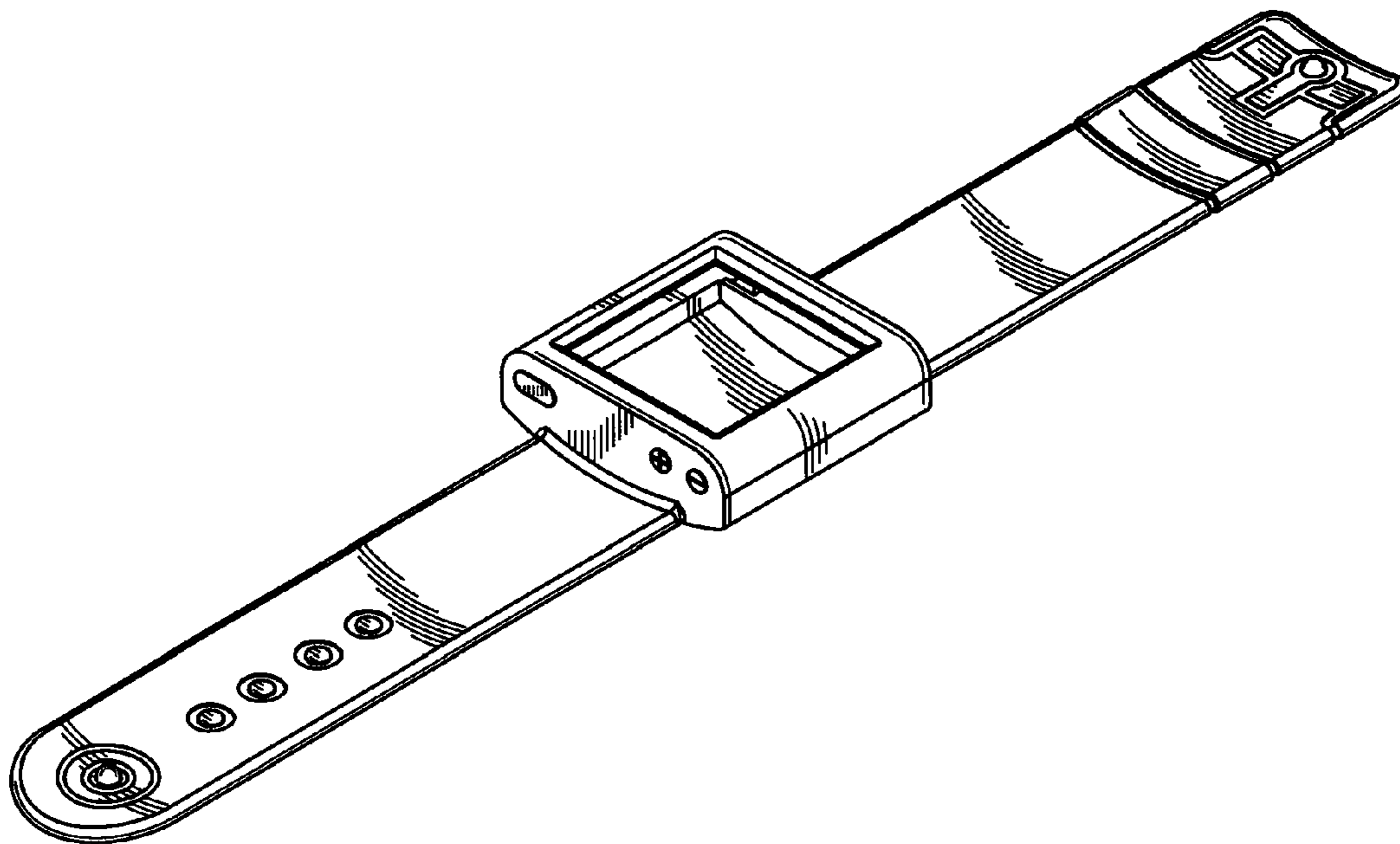
(57) **CLAIM**

The ornamental design for a watch carrier, as shown and described.

DESCRIPTION

FIG. 1 shows a perspective view of the present design.
 FIG. 2 shows another perspective view of the present design.
 FIG. 3 shows a right side elevational view of the present design.
 FIG. 4 shows a top plan view of the present design.
 FIG. 5 shows a front elevational view of the present design.
 FIG. 6 shows a bottom plan view of the present design.
 FIG. 7 shows a left side elevational view of the present design.
 FIG. 8 shows a rear elevational view of the present design; and,
 FIG. 9 is a schematic drawing showing a watch is carried by the watch carrier of the present design, wherein the broken lines are shown for illustrative purposes only and forms no part of the claimed design.

1 Claim, 6 Drawing Sheets



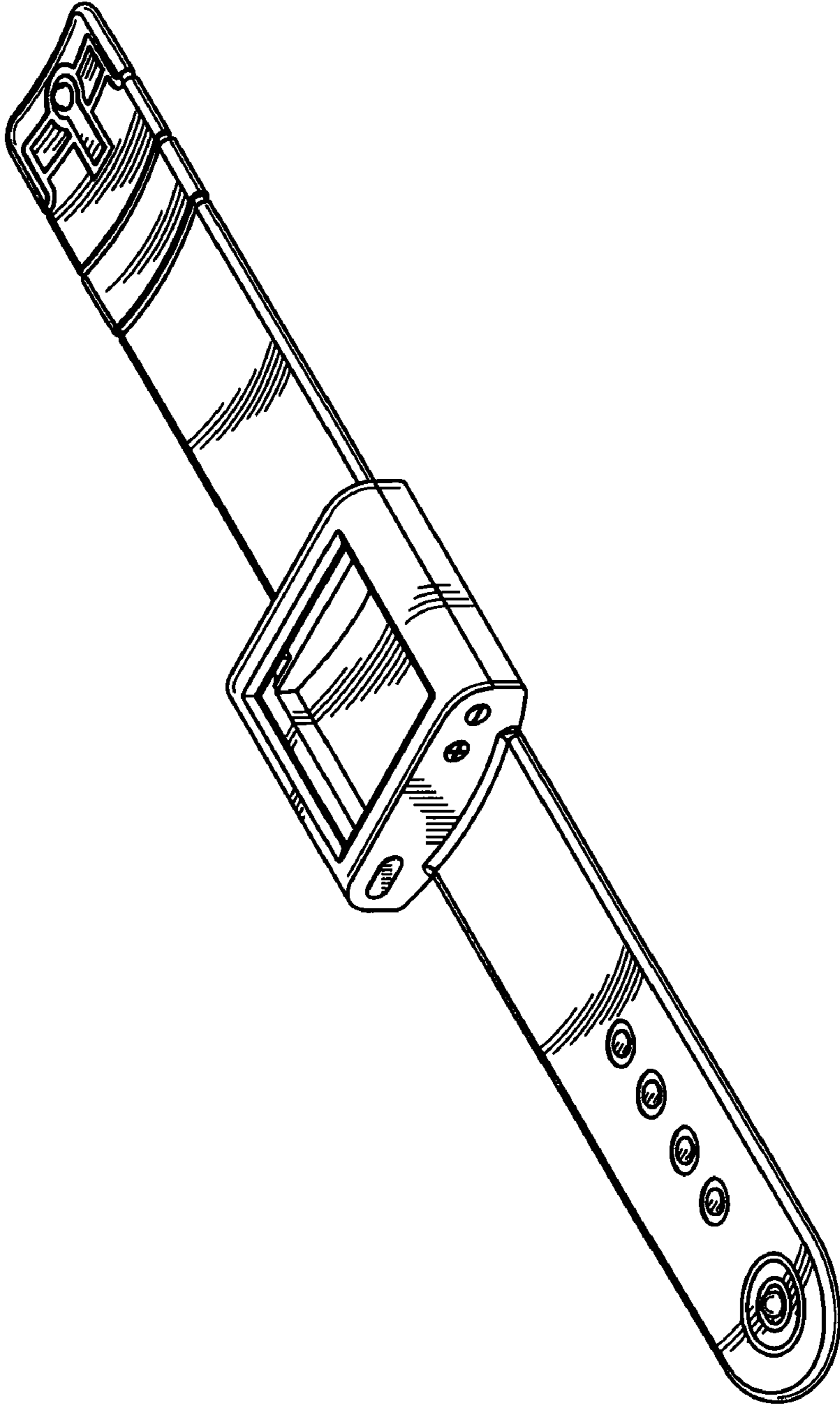


FIG.1

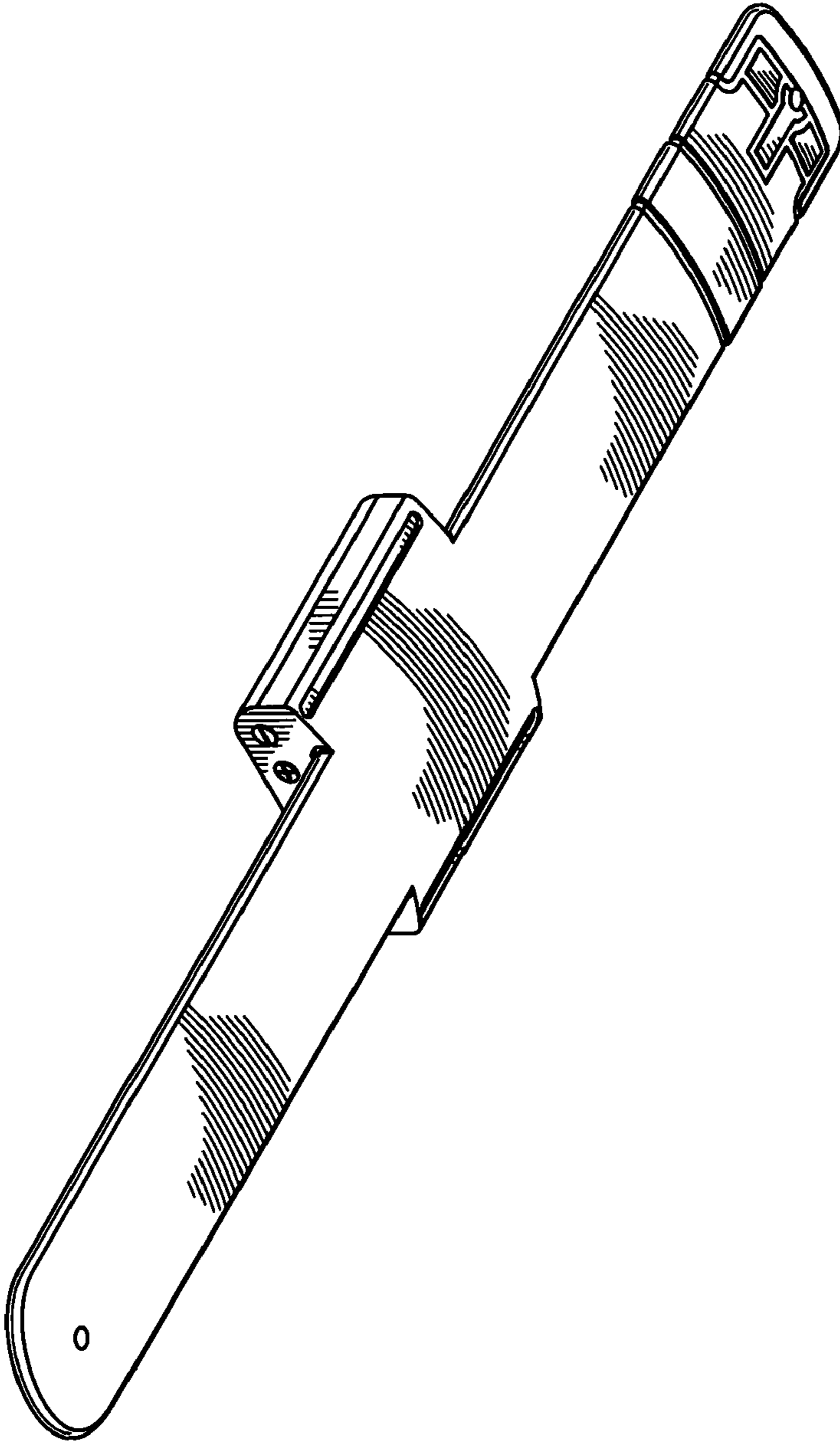


FIG.2

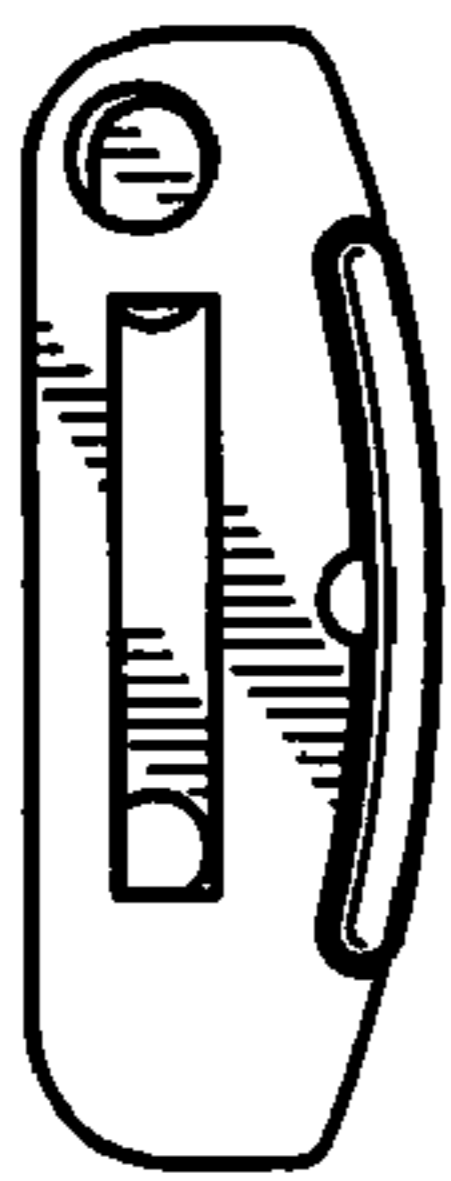


FIG. 3

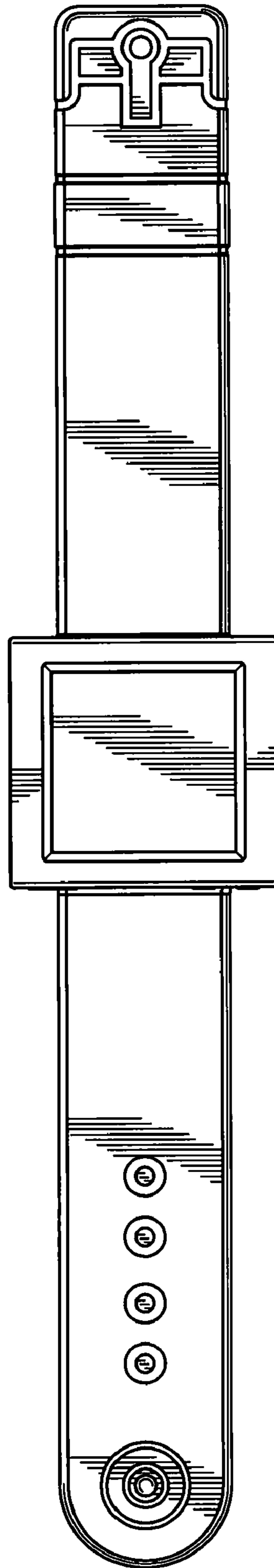


FIG. 4

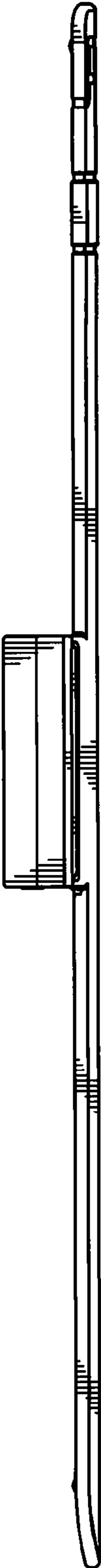


FIG. 5

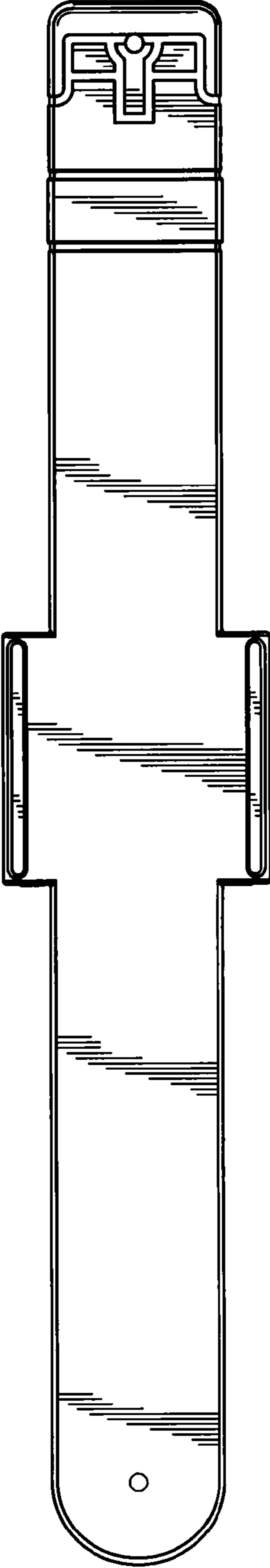


FIG. 6

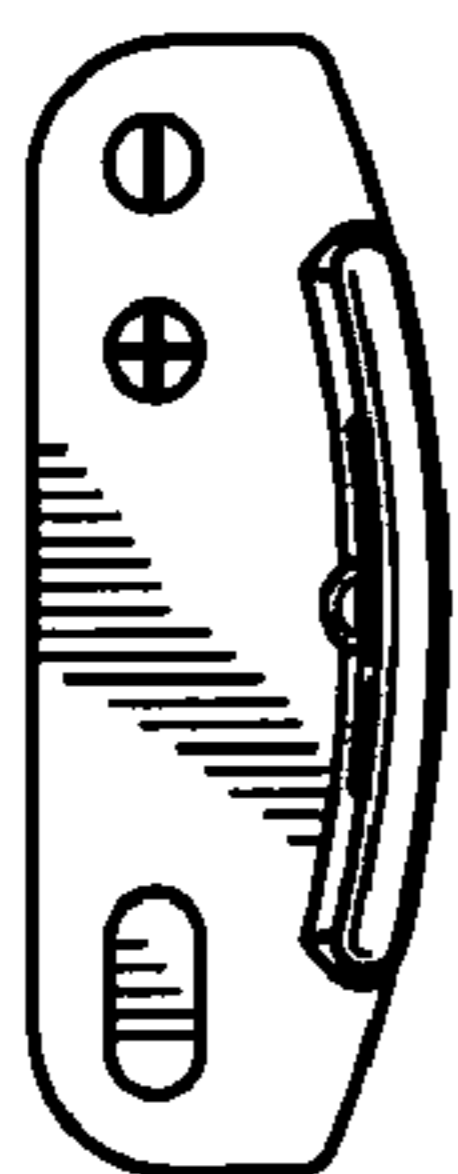


FIG. 7

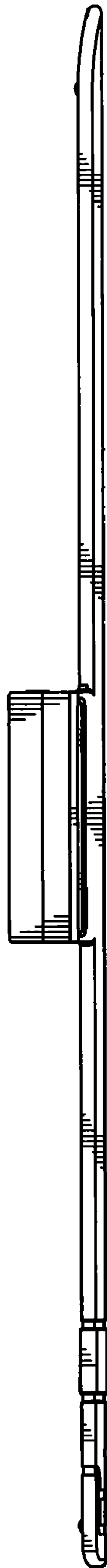


FIG. 8

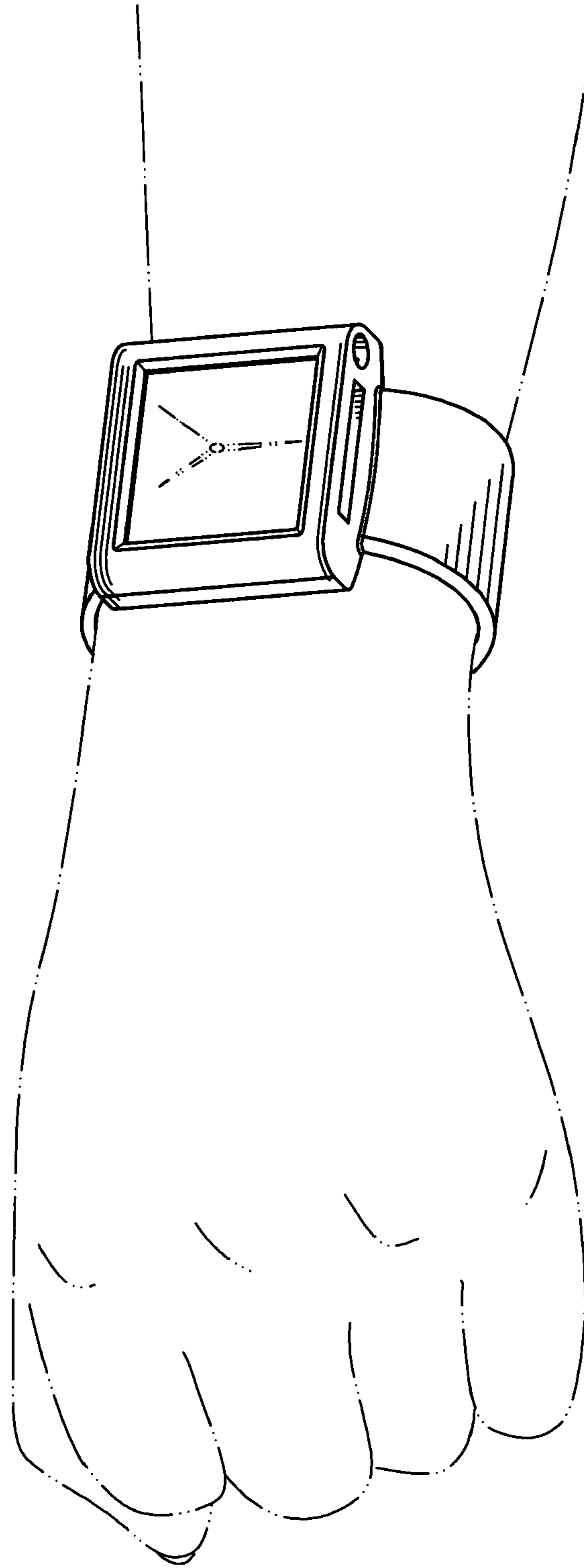


FIG.9