



US00D638323S

(12) **United States Design Patent**
Nevels

(10) **Patent No.:** **US D638,323 S**

(45) **Date of Patent:** **** May 24, 2011**

(54) **WHISTLE**

(76) Inventor: **Roy V. Nevels**, Woodland Park, CO (US)

(**) Term: **14 Years**

(21) Appl. No.: **29/379,669**

(22) Filed: **Nov. 23, 2010**

(51) **LOC (9) Cl.** **10-05**

(52) **U.S. Cl.** **D10/119.3**

(58) **Field of Classification Search** D10/116,
D10/119, 120, 104, 31; 446/402, 204-206,
446/208; 116/152, 159, 166; 370/469;
D3/203.1-203.4; D26/45-46, 48-50; D11/78.1;
D19/34, 65, 86; D8/395

See application file for complete search history.

(56) **References Cited**

U.S. PATENT DOCUMENTS

D171,311 S * 1/1954 Schaefer D11/78.1

D295,501 S * 5/1988 Brayford D10/31
D437,613 S * 2/2001 Melnyk D19/34
D492,351 S * 6/2004 Sato et al. D19/65

* cited by examiner

Primary Examiner — Caron D Veynar

Assistant Examiner — George D Kirschbaum

(74) *Attorney, Agent, or Firm* — Richard W. Hanes; Hanes
Hrbacek & Bartels LLC

(57) **CLAIM**

The ornamental design for a whistle, as shown.

DESCRIPTION

FIG. 1 is a perspective top view of the whistle of the present invention.

FIG. 2 is a perspective bottom view of the whistle.

FIG. 3 is a front view of the whistle.

FIG. 4 is a back view of the whistle.

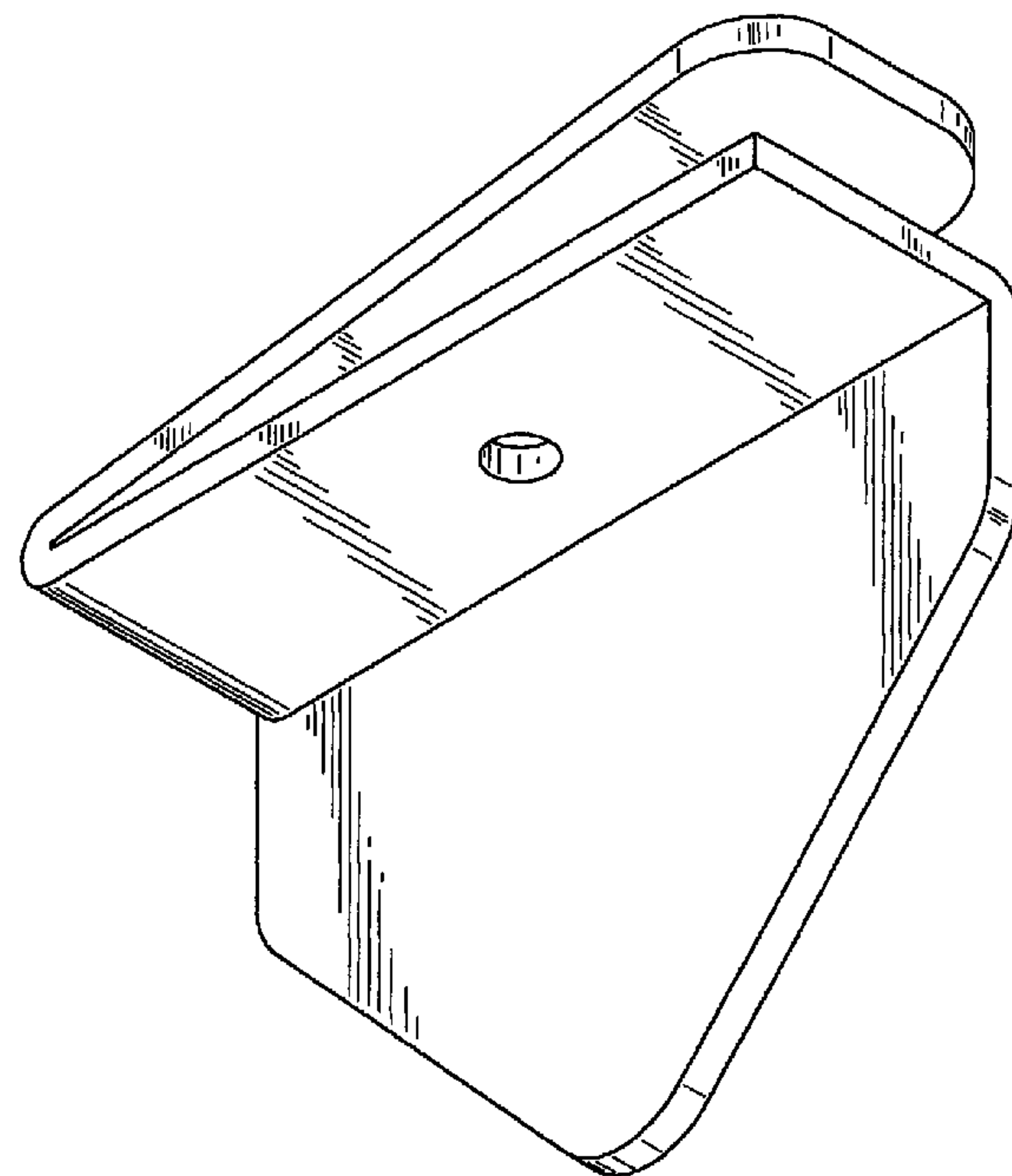
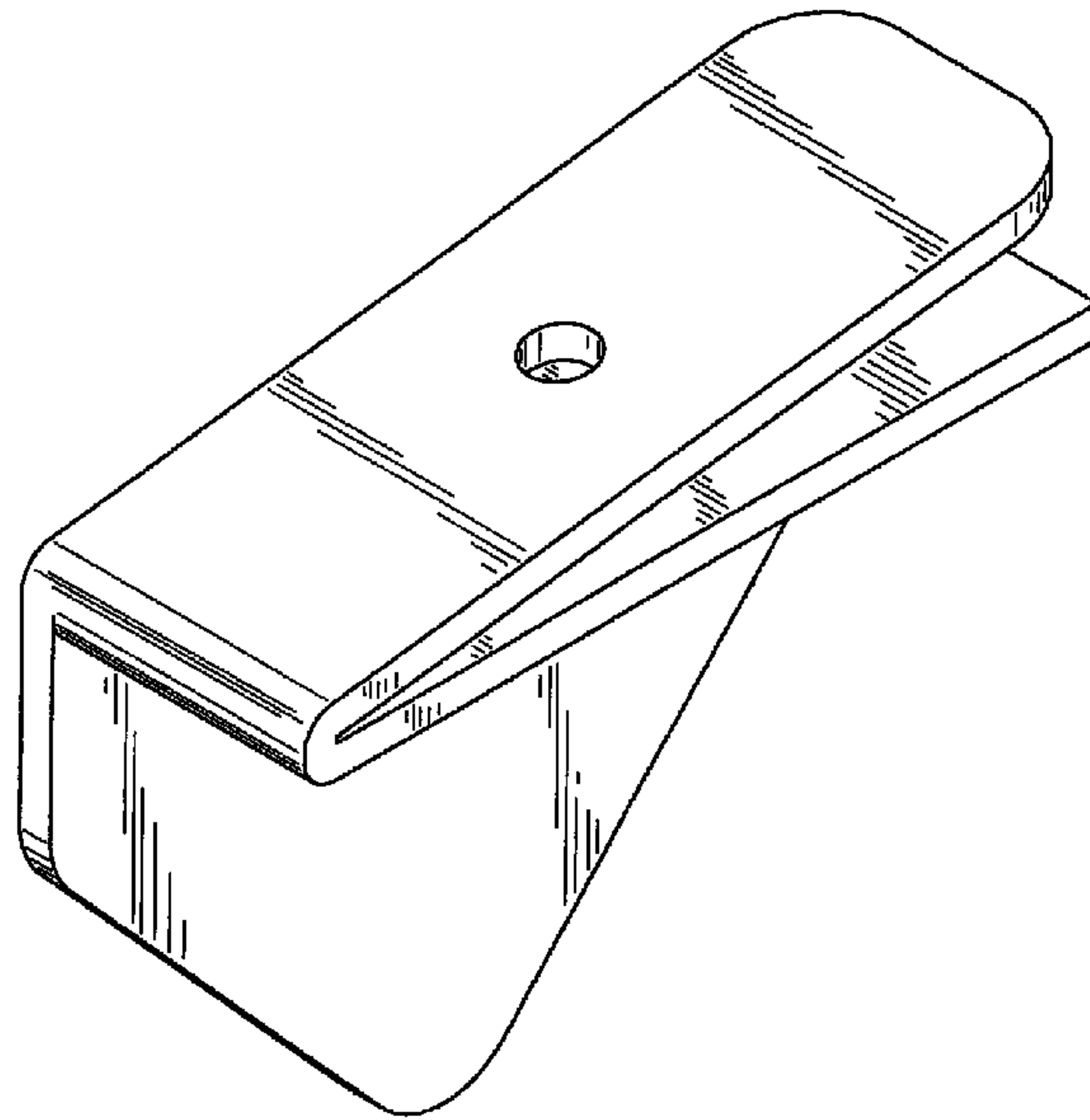
FIG. 5 is a right side view of the whistle.

FIG. 6 is a left side view of the whistle.

FIG. 7 is a top view of the whistle; and,

FIG. 8 is a bottom view of the whistle.

1 Claim, 6 Drawing Sheets



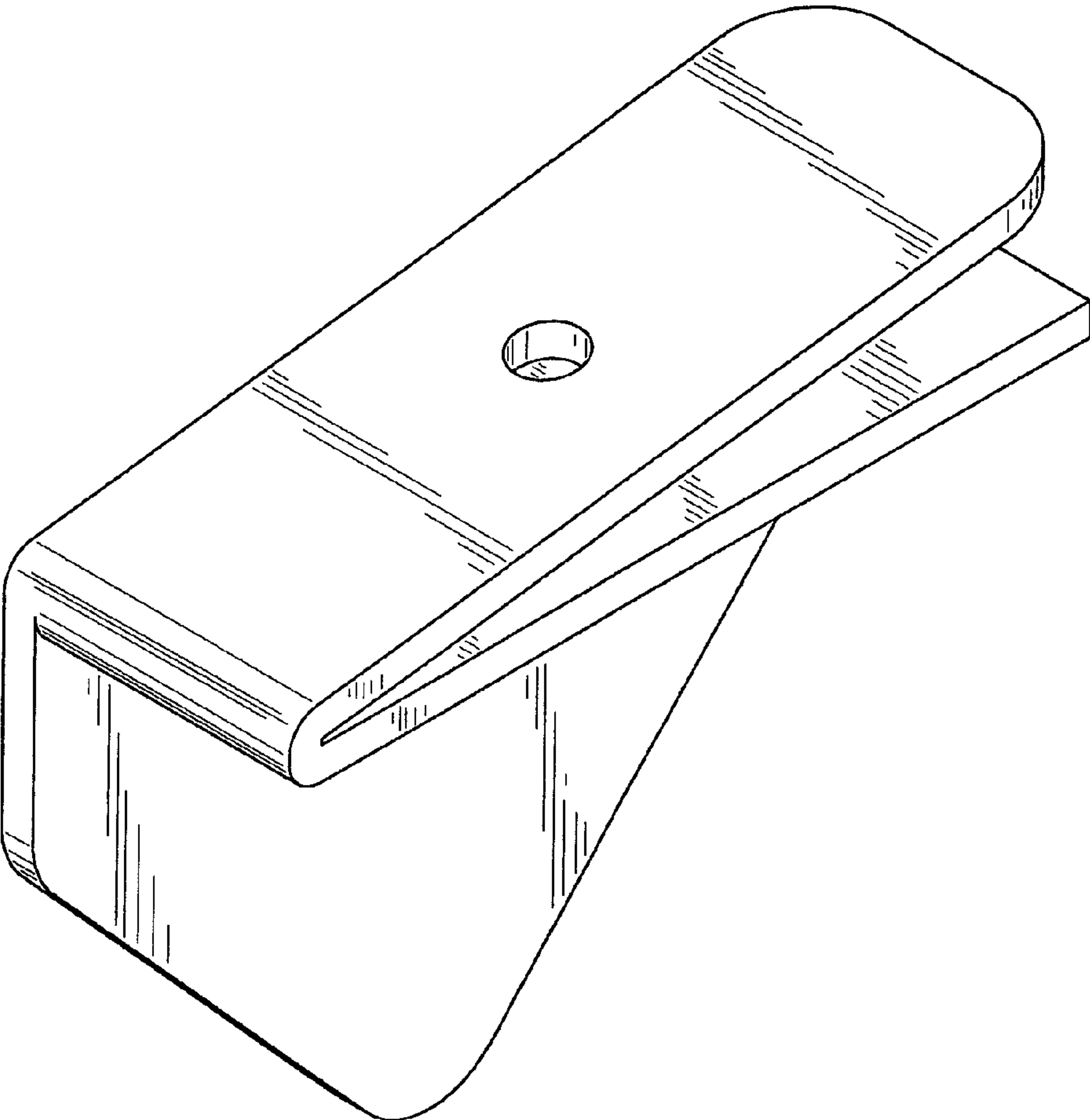


FIG.1

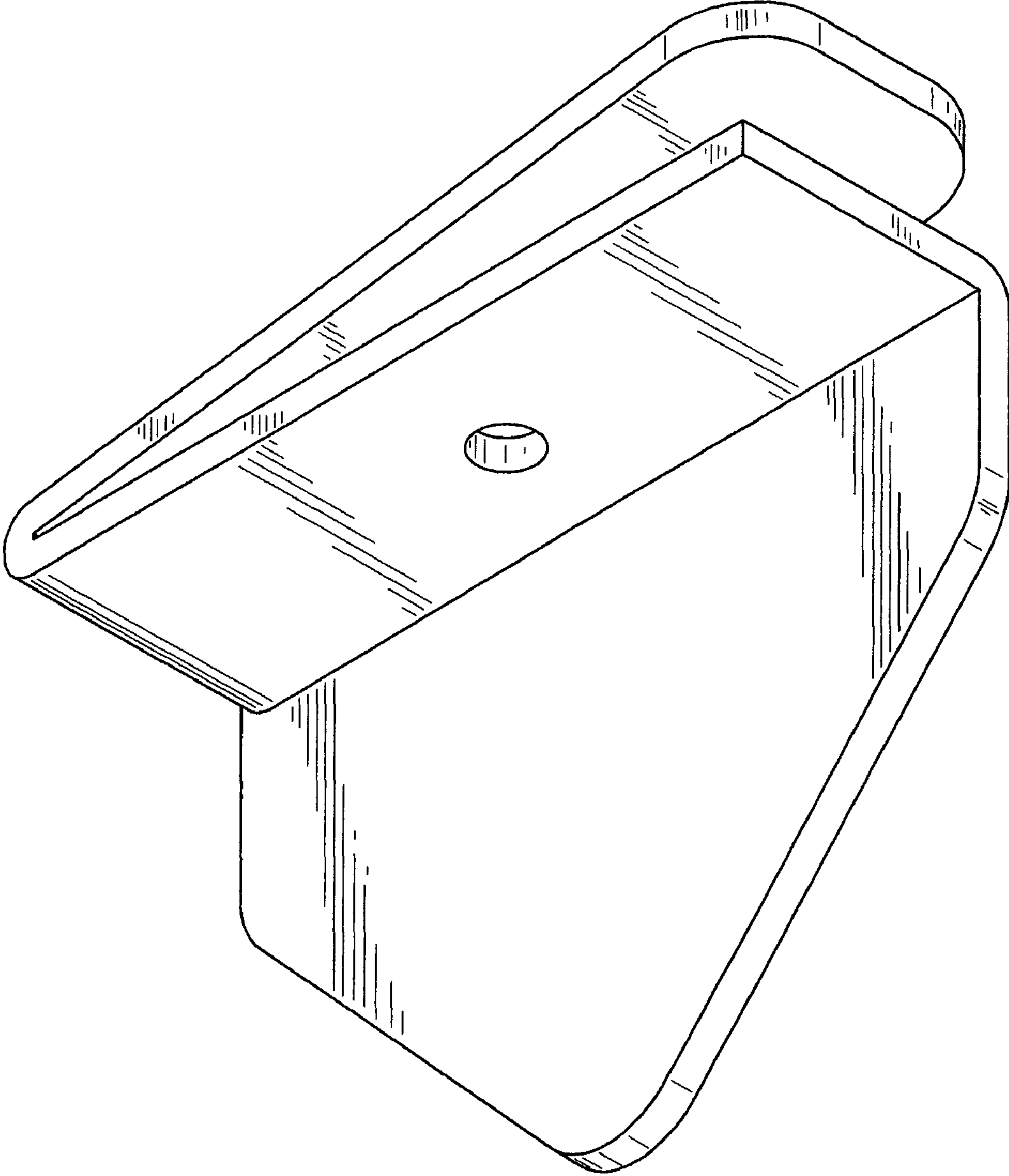


FIG.2

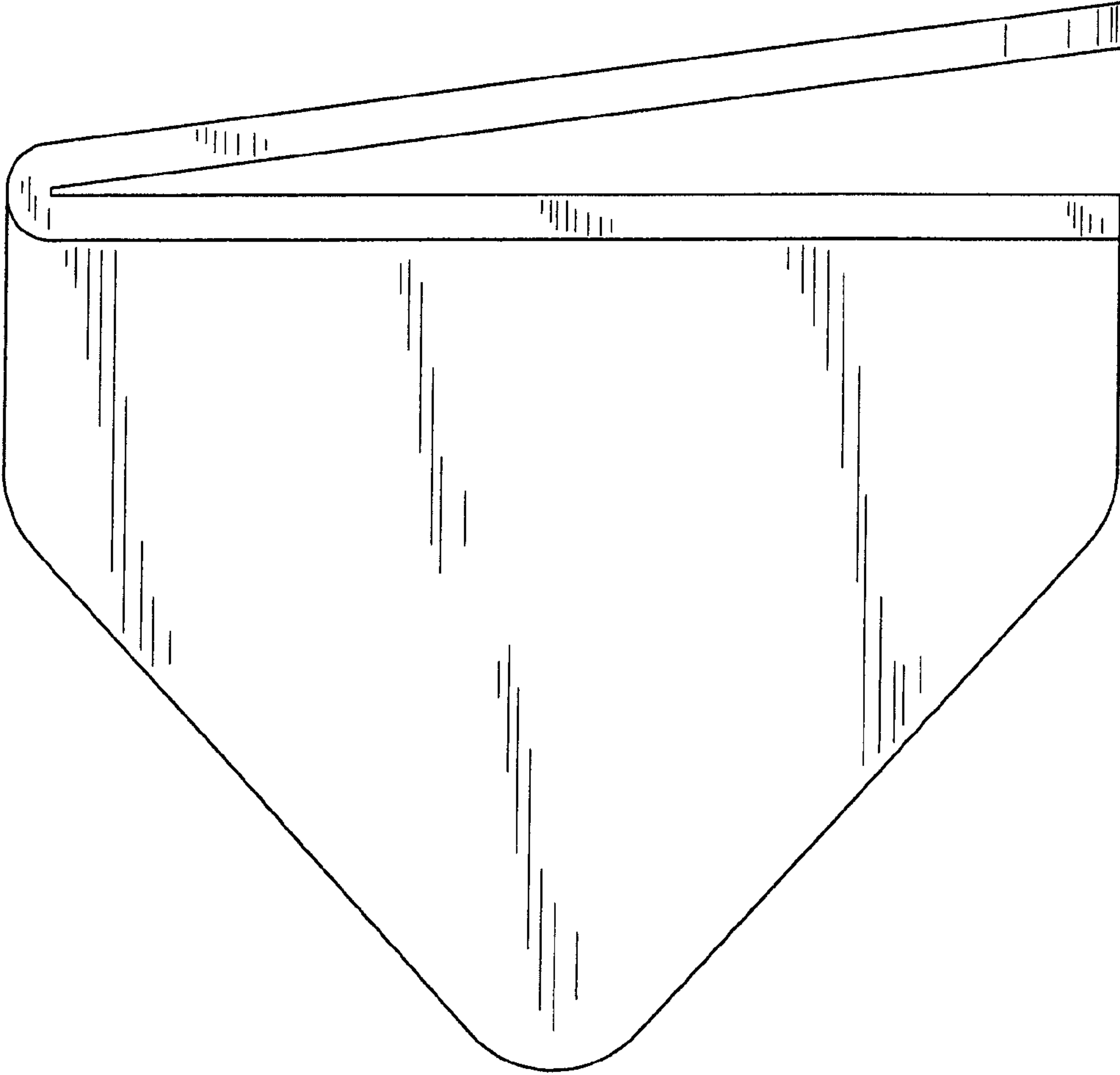


FIG.3

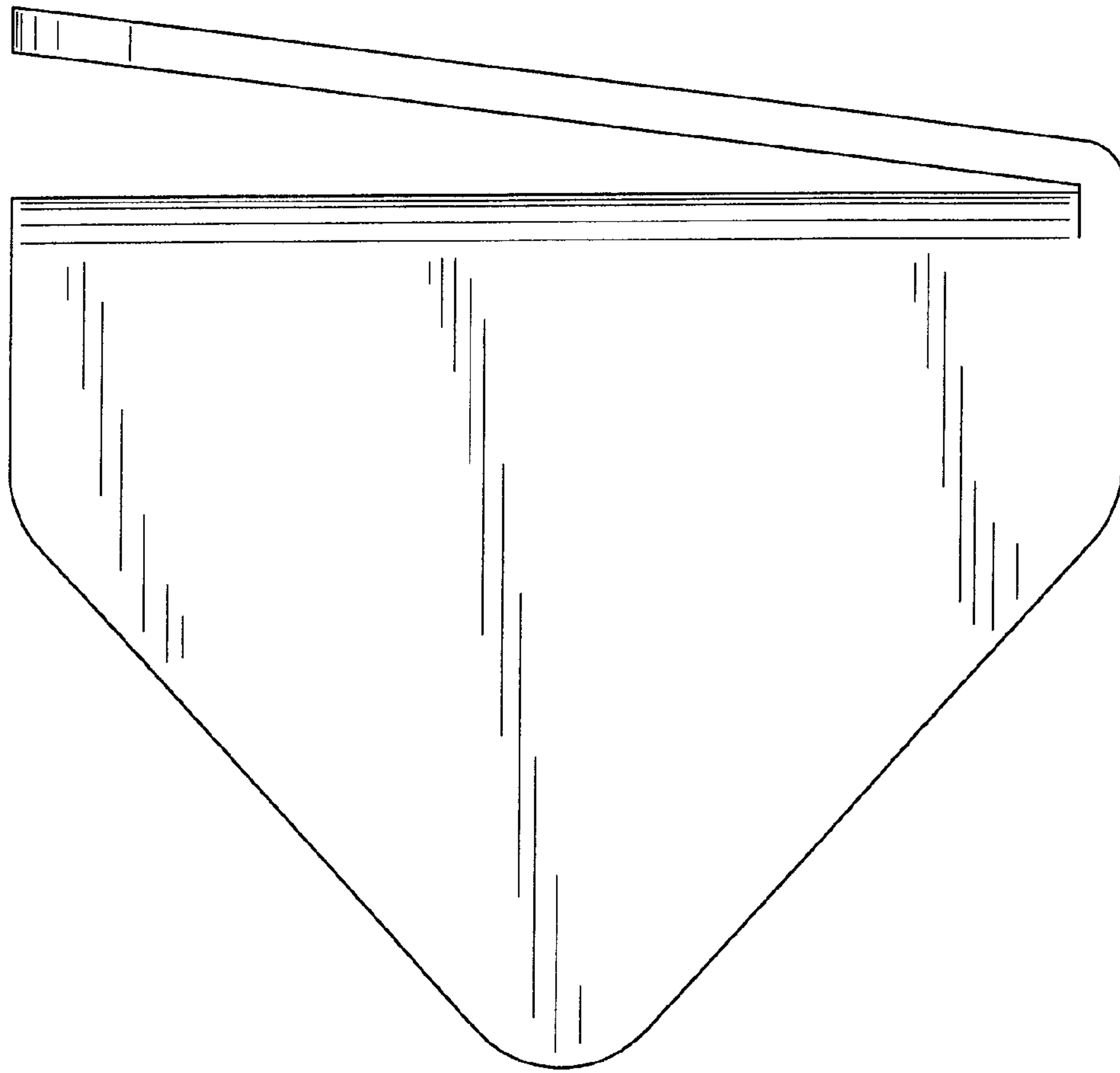


FIG.4

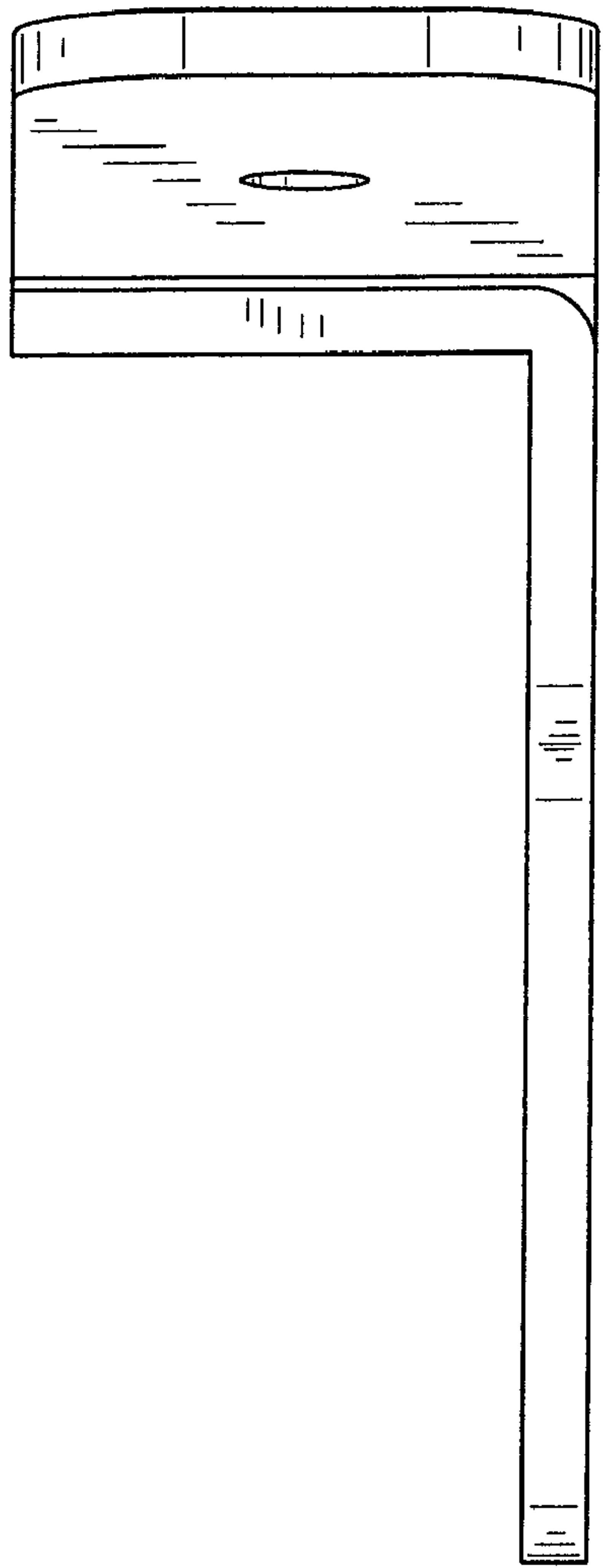


FIG. 5

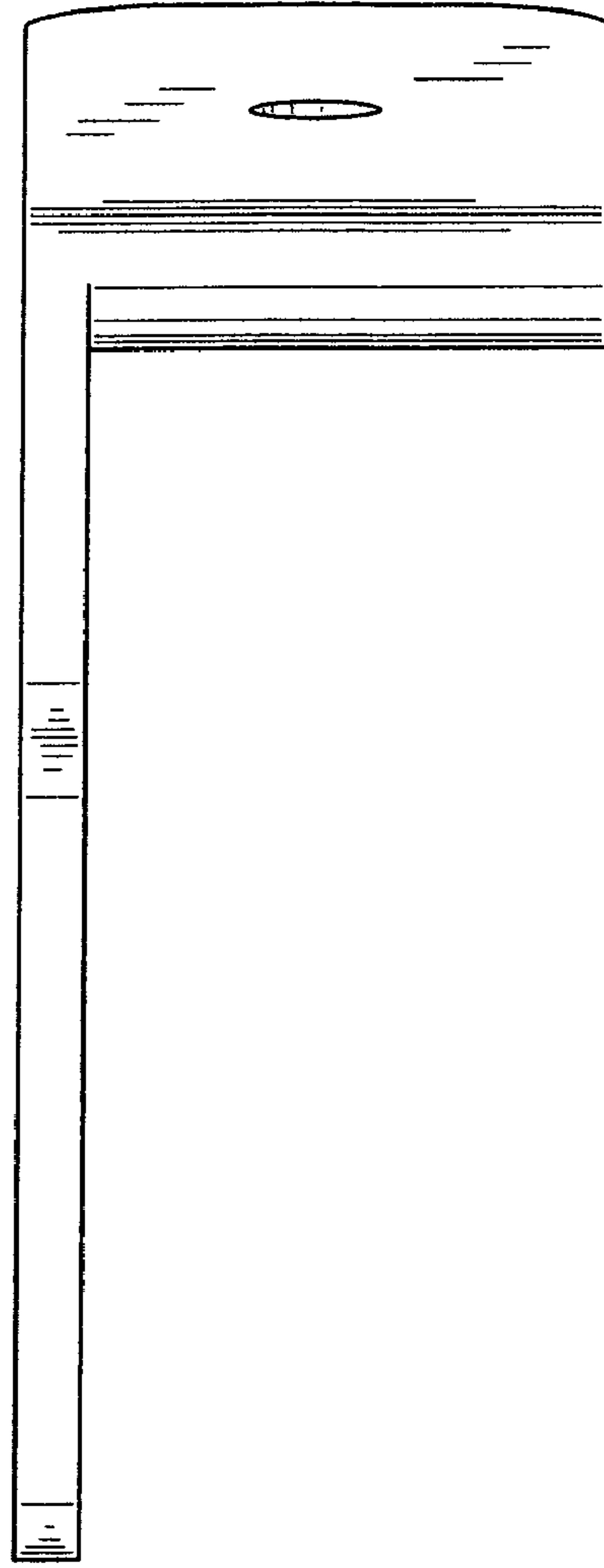


FIG. 6

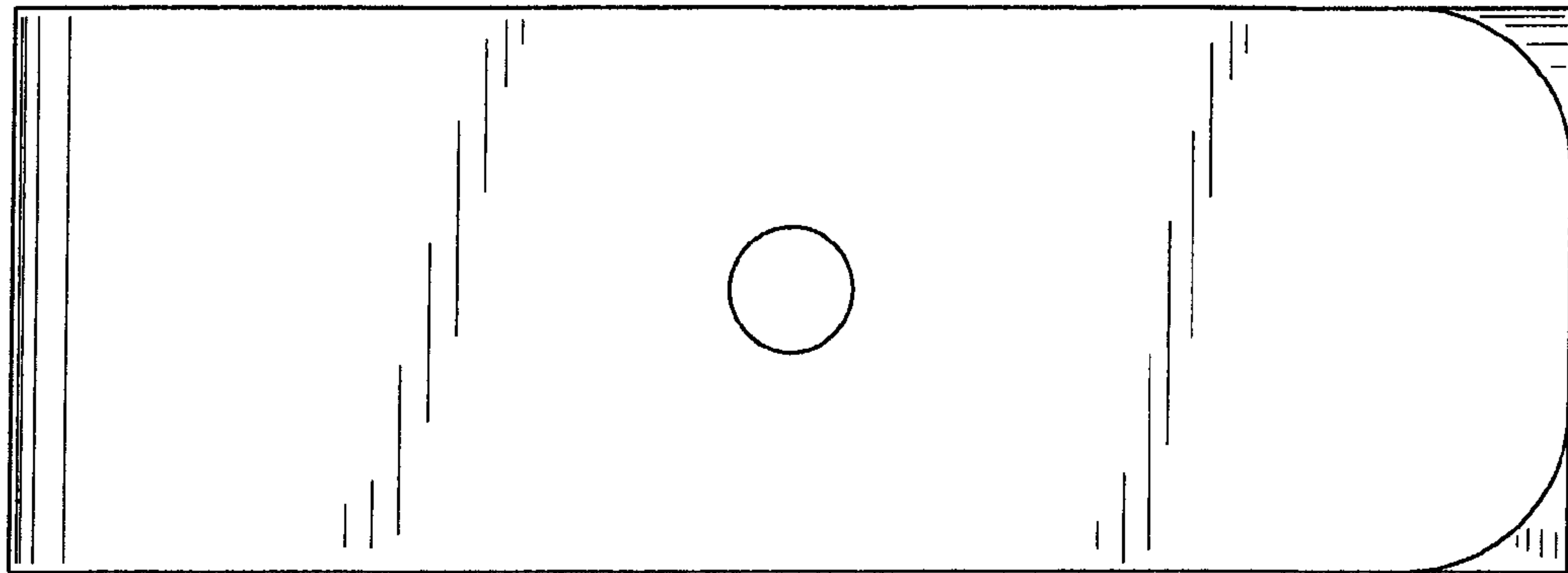


FIG. 7

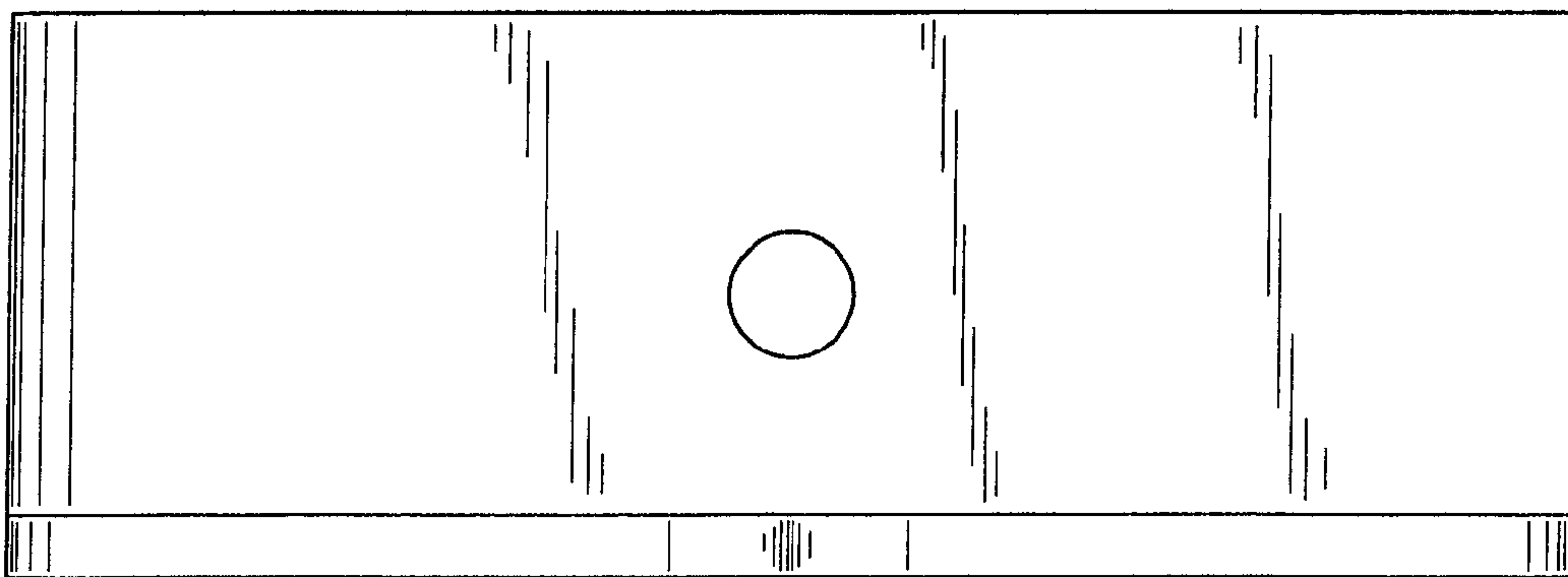


FIG. 8