



US00D638322S

(12) **United States Design Patent**
Teramoto

(10) **Patent No.:** **US D638,322 S**

(45) **Date of Patent:** **** May 24, 2011**

(54) **JAW PORTION OF CALIPERS**

(76) Inventor: **Nobuhisa Teramoto**, Kainan (JP)

(**) Term: **14 Years**

(21) Appl. No.: **29/362,304**

(22) Filed: **May 24, 2010**

(30) **Foreign Application Priority Data**

Nov. 24, 2009 (JP) 2009-027325

(51) **LOC (9) Cl.** **10-04**

(52) **U.S. Cl.** **D10/73; D10/74**

(58) **Field of Classification Search** D10/73,
D10/74; D24/140, 148-149, 152, 176; 30/155,
30/161, 233, 257, 225, 232, 356; 33/513-514,
33/783-832, DIG. 12, 512; 24/599.1; 81/424.5;
401/131; 266/200; 433/4, 145, 148, 157,
433/159; 600/587, 591; 606/102, 207; D8/57
See application file for complete search history.

(56) **References Cited**

U.S. PATENT DOCUMENTS

D231,034 S * 3/1974 Moore D24/143
4,226,025 A * 10/1980 Wheeler 33/512
D261,302 S * 10/1981 Wheeler D24/140

D310,714 S * 9/1990 Dolwick D24/148
D321,055 S * 10/1991 Carchidi D24/152
D427,497 S * 7/2000 Yeh D8/57
D542,615 S * 5/2007 Wittke-Kothe D8/57
D549,335 S * 8/2007 Junck D24/149
7,275,336 B2 * 10/2007 Casutt et al. 33/797
D554,458 S * 11/2007 Wittke-Kothe D8/57

* cited by examiner

Primary Examiner — Antoine D Davis

(74) *Attorney, Agent, or Firm* — Wenderoth, Lind & Ponack,
L.L.P.

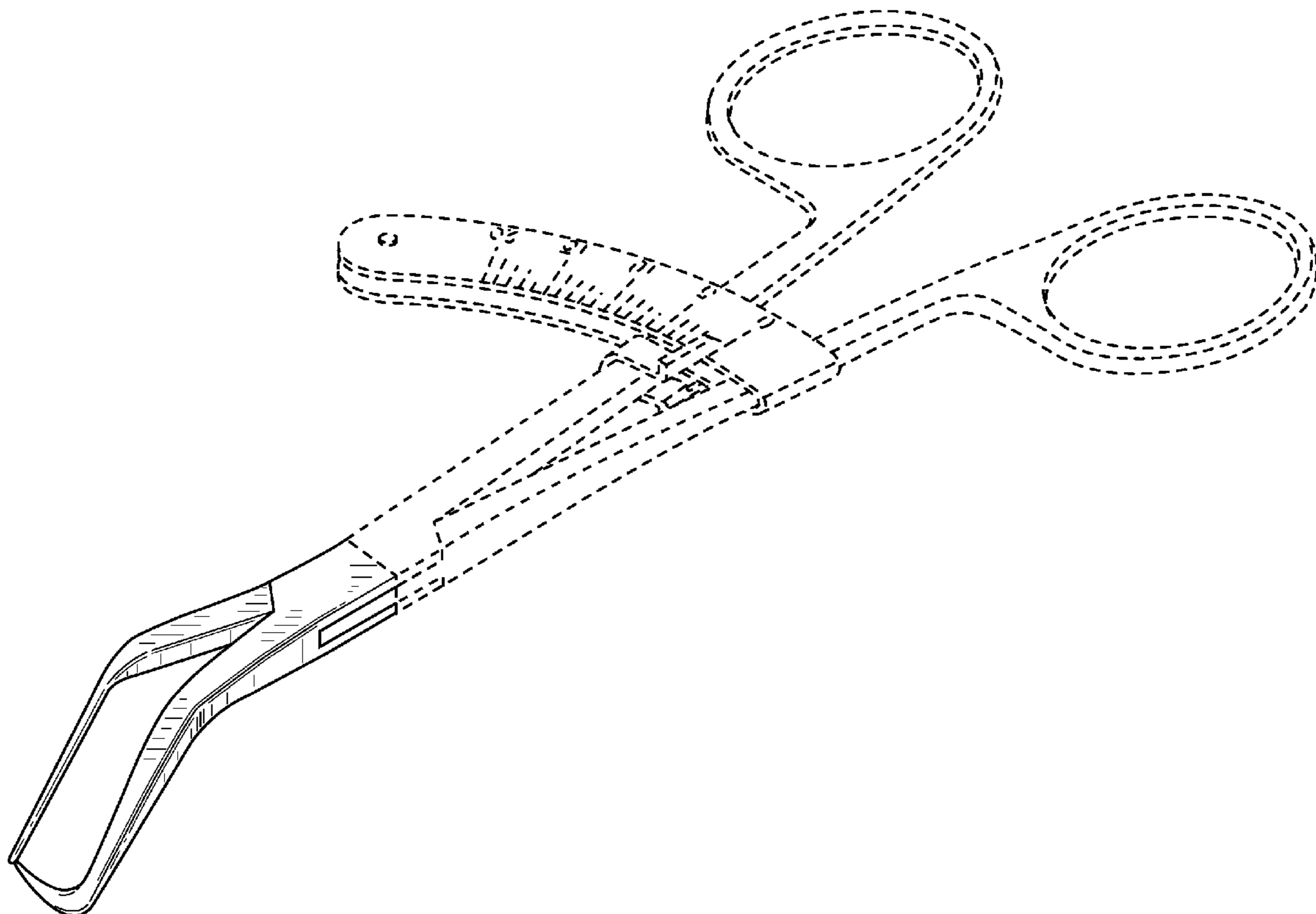
(57) **CLAIM**

The ornamental design for a jaw portion of calipers, as shown
and described.

DESCRIPTION

FIG. 1 is a front view of the invention;
FIG. 2 is a back view of the invention;
FIG. 3 is a right side view of the invention;
FIG. 4 is a left side view of the invention;
FIG. 5 is a top view of the invention;
FIG. 6 is a bottom view of the invention; and,
FIG. 7 is a perspective view of the invention.
Portions of the figures represented with broken lines are not
part of the claimed design.

1 Claim, 5 Drawing Sheets



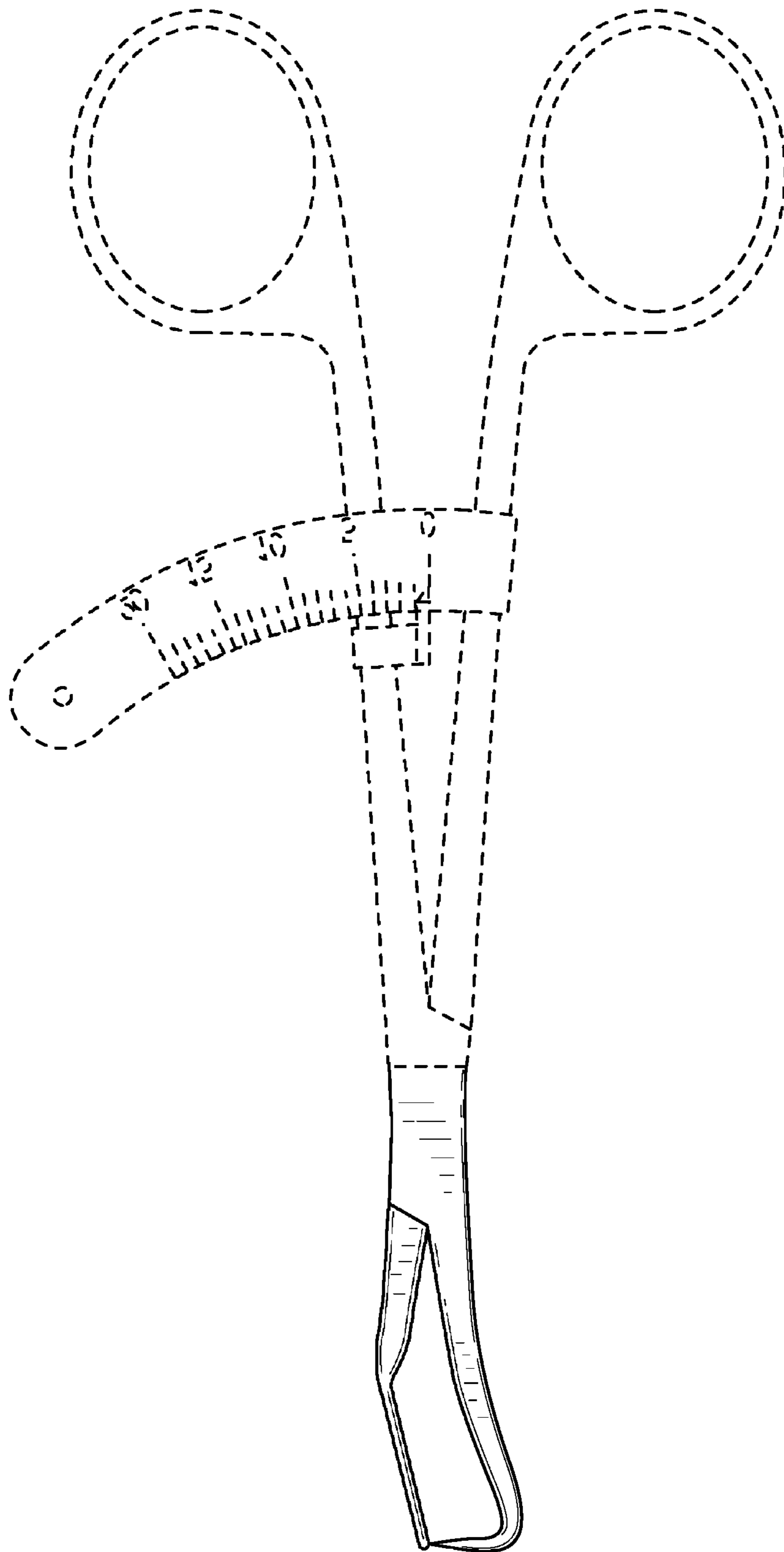


FIG. 1

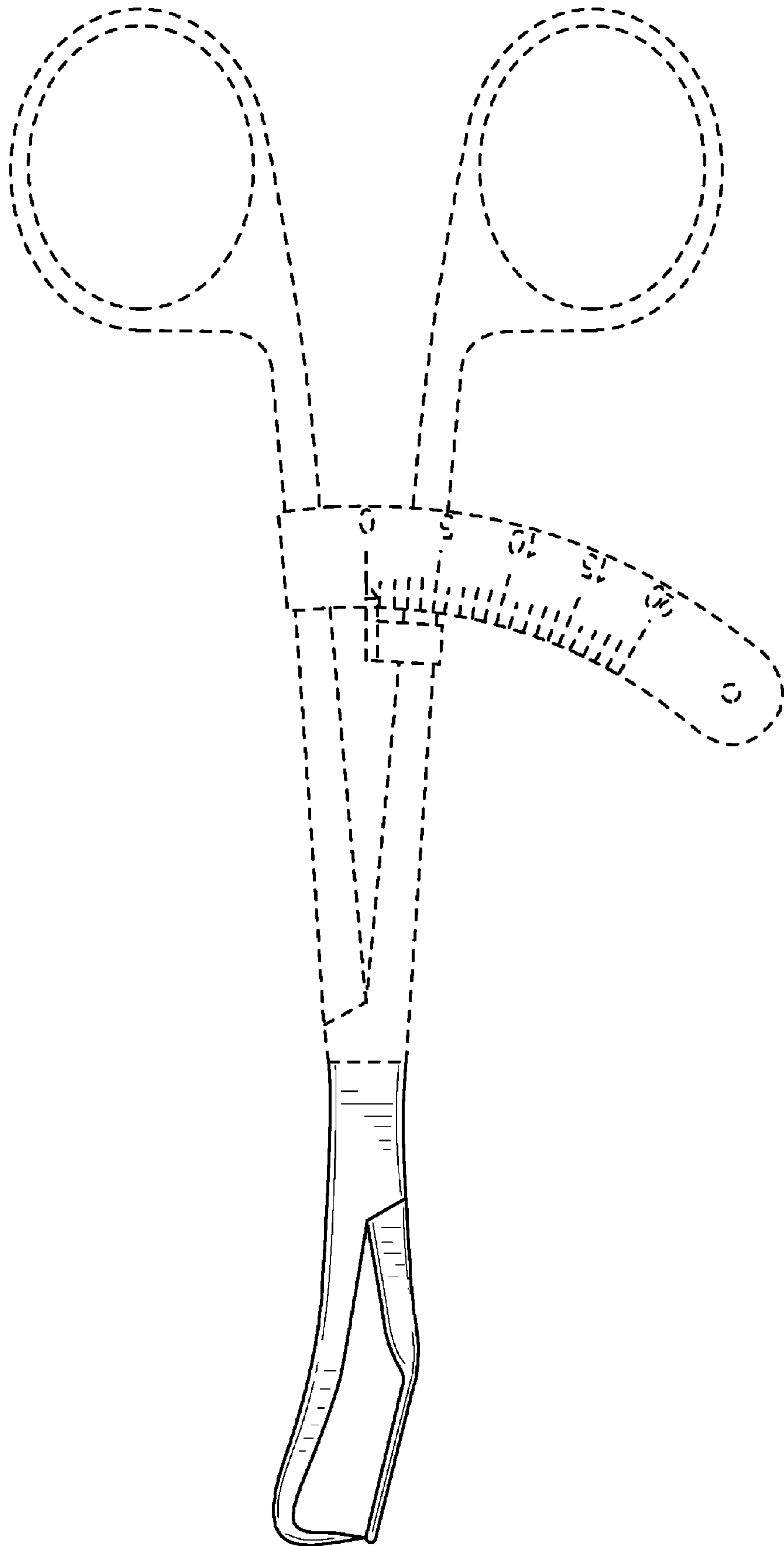


FIG. 2

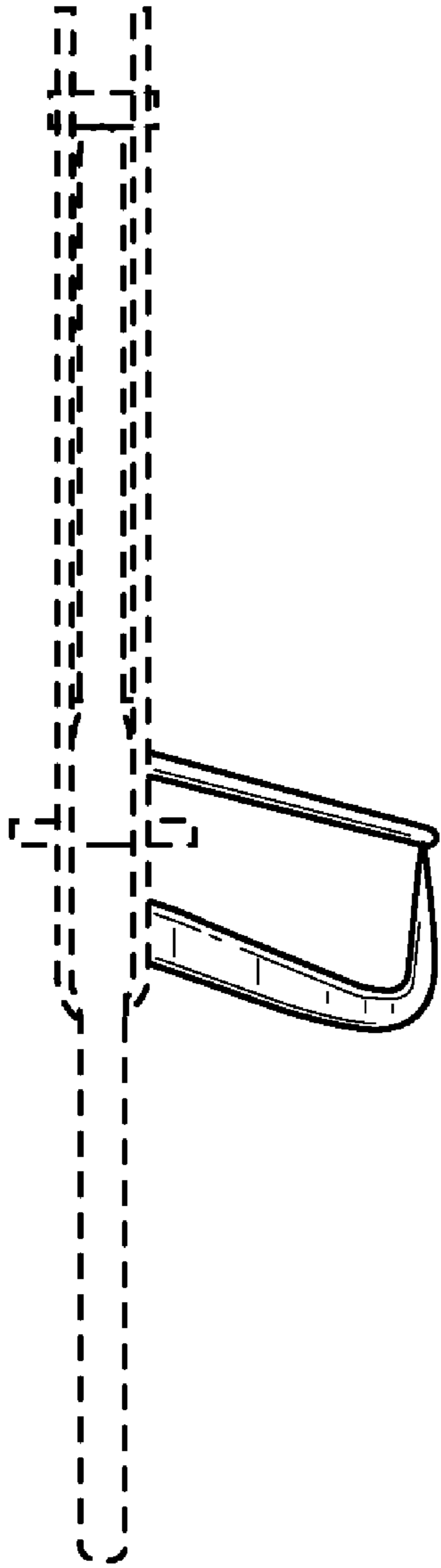


FIG. 3

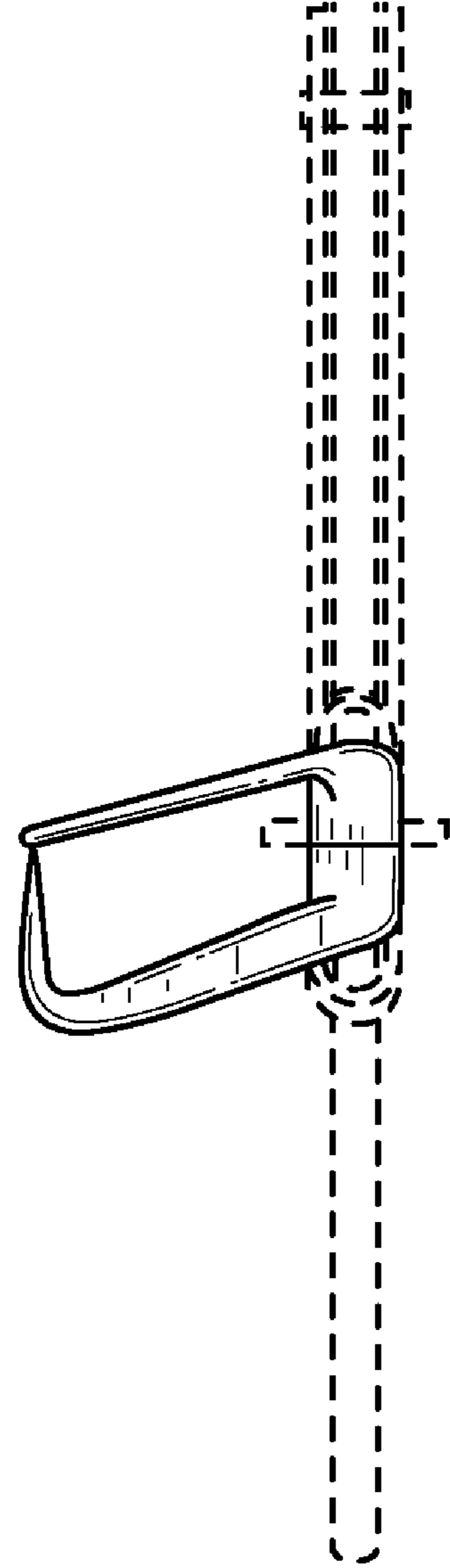


FIG. 4

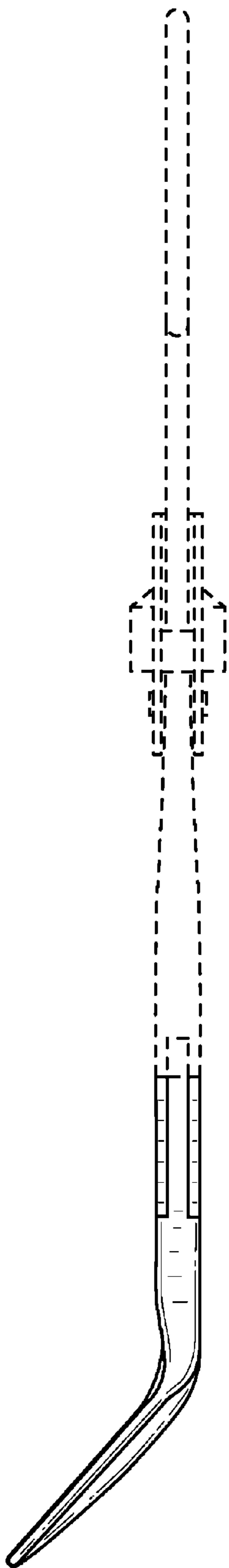


FIG. 5

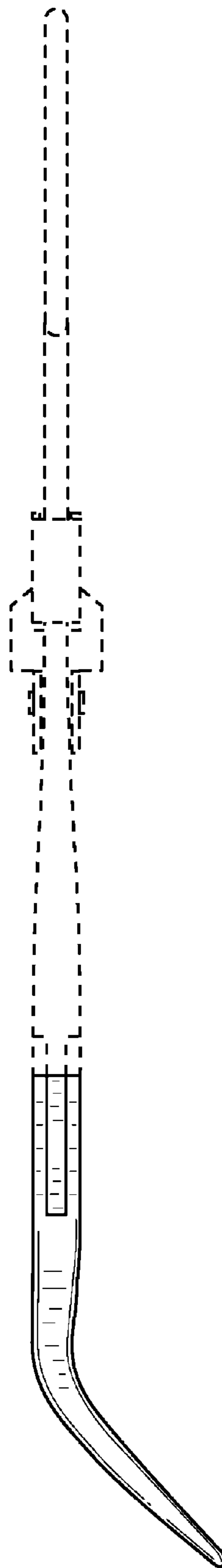


FIG. 6

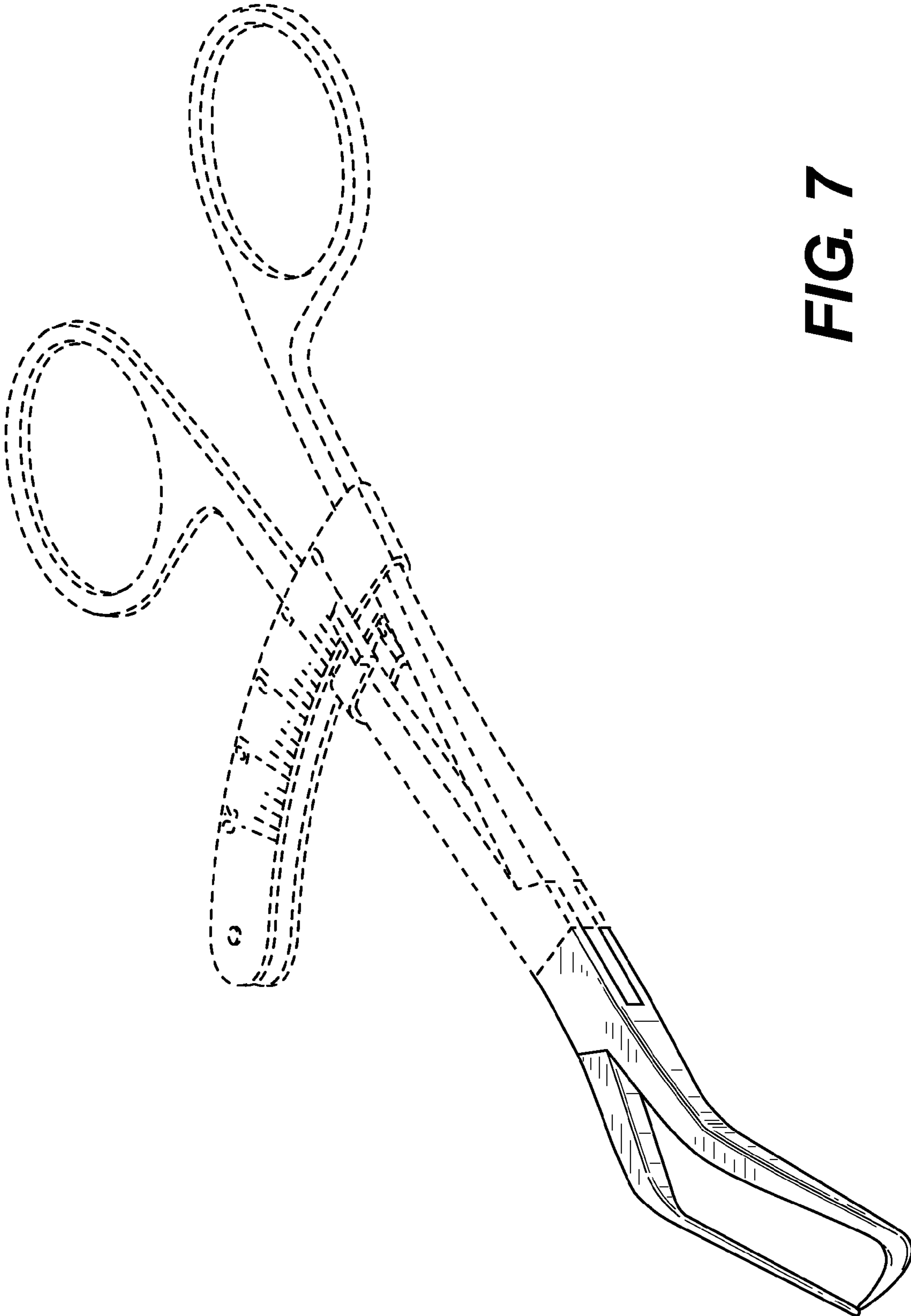


FIG. 7