



US00D638321S

(12) **United States Design Patent**
Herrera

(10) **Patent No.:** **US D638,321 S**

(45) **Date of Patent:** **** May 24, 2011**

(54) **TAPE MEASURE**

(76) **Inventor:** **Thomas Herrera**, Montauk, NY (US)

(**) **Term:** **14 Years**

(21) **Appl. No.:** **29/349,316**

(22) **Filed:** **Mar. 25, 2010**

(51) **LOC (9) Cl.** **10-04**

(52) **U.S. Cl.** **D10/72**

(58) **Field of Classification Search** D10/72,
D10/74; 33/755-771; 242/285, 291, 379,
242/379.1, 379.2, 381, 381.1-381.6, 405
See application file for complete search history.

(56) **References Cited**

U.S. PATENT DOCUMENTS

D615,890 S * 5/2010 Krebs et al. D10/72

* cited by examiner

Primary Examiner — Antoine D Davis

(74) *Attorney, Agent, or Firm* — Richard L. Mikesell

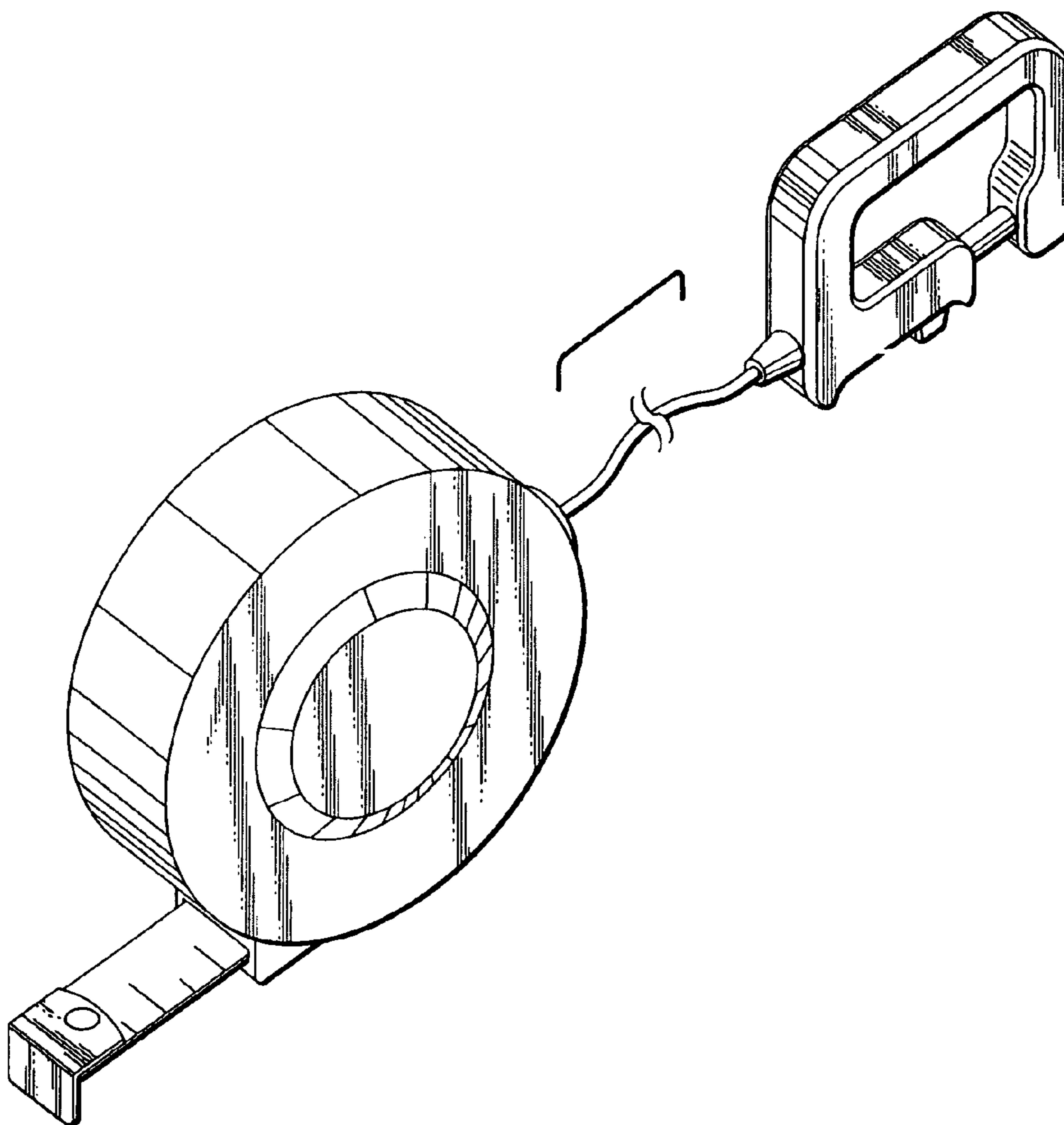
(57) **CLAIM**

The ornamental design for a tape measure, as shown and described.

DESCRIPTION

FIG. 1: Top right perspective view;
FIG. 2: Right side elevation (the left side is a mirror image);
FIG. 3: Top plan view;
FIG. 4: Front elevation;
FIG. 5: Rear elevation; and,
FIG. 6: Bottom plan view.

1 Claim, 3 Drawing Sheets



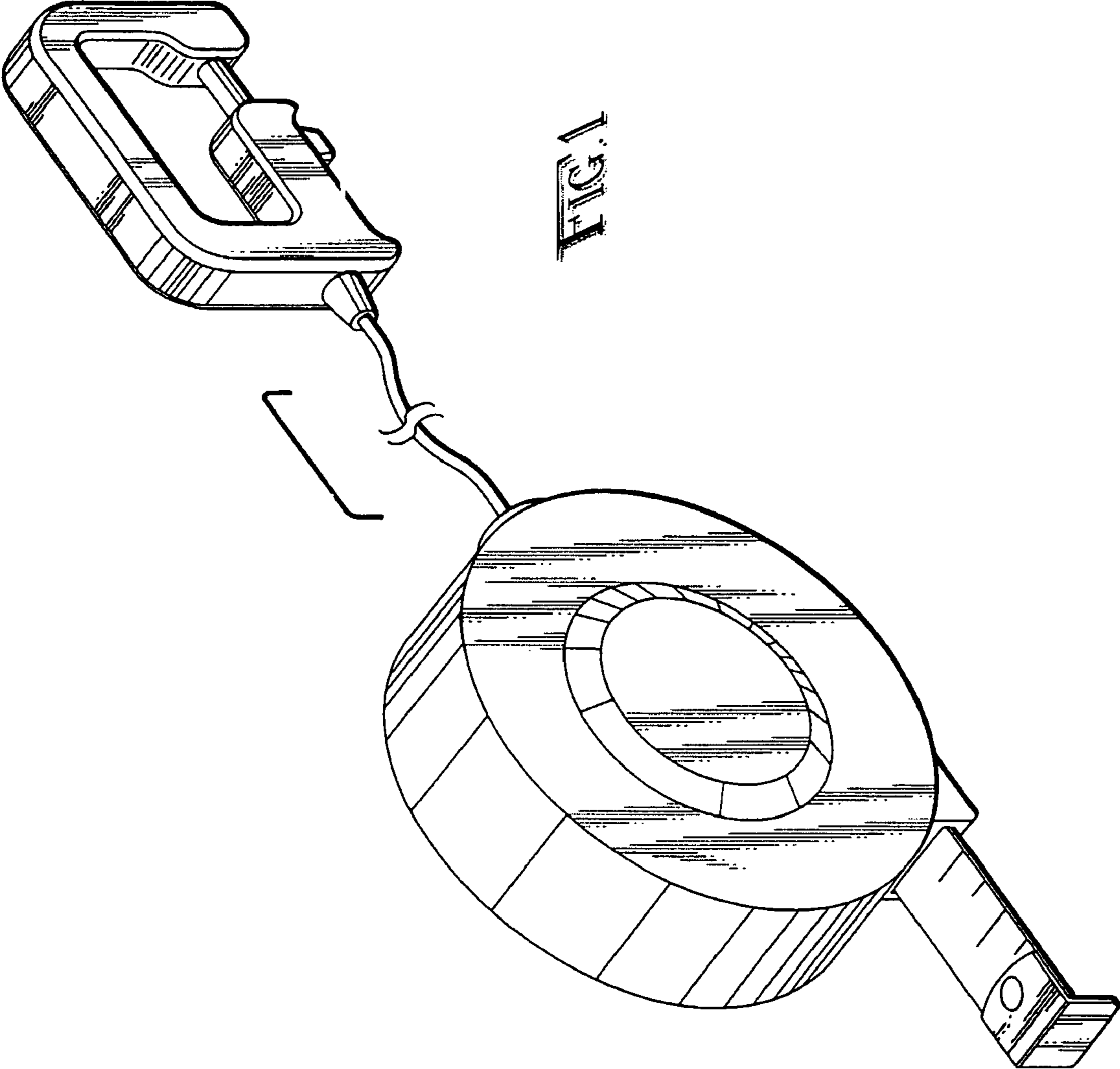
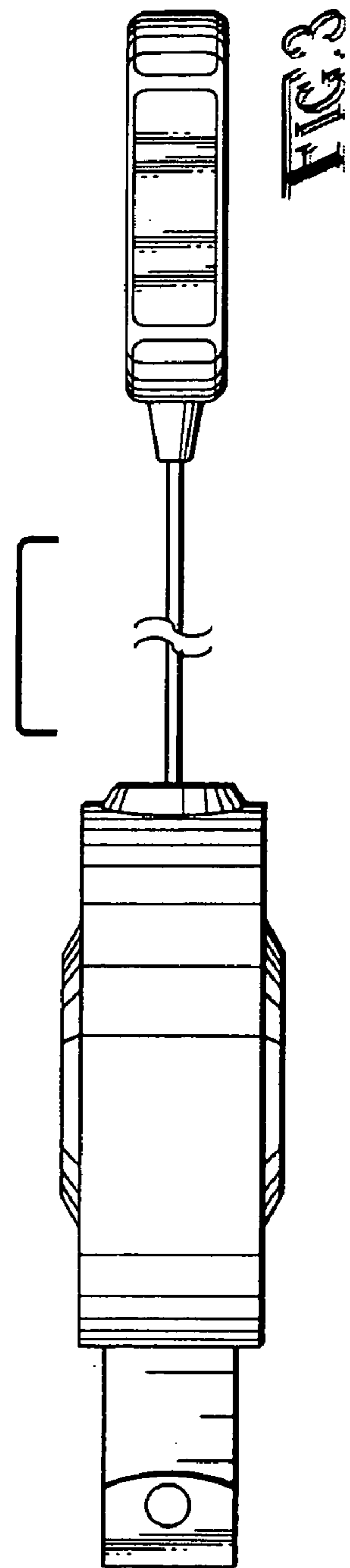
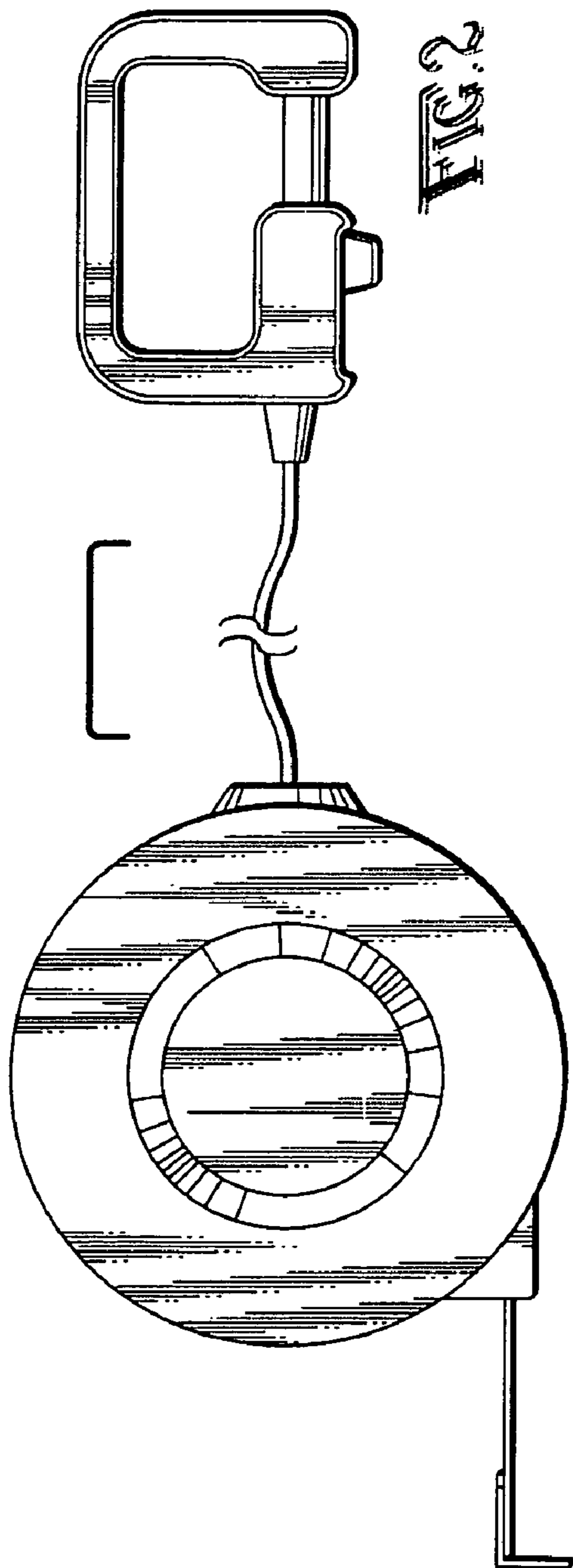


FIG. 1



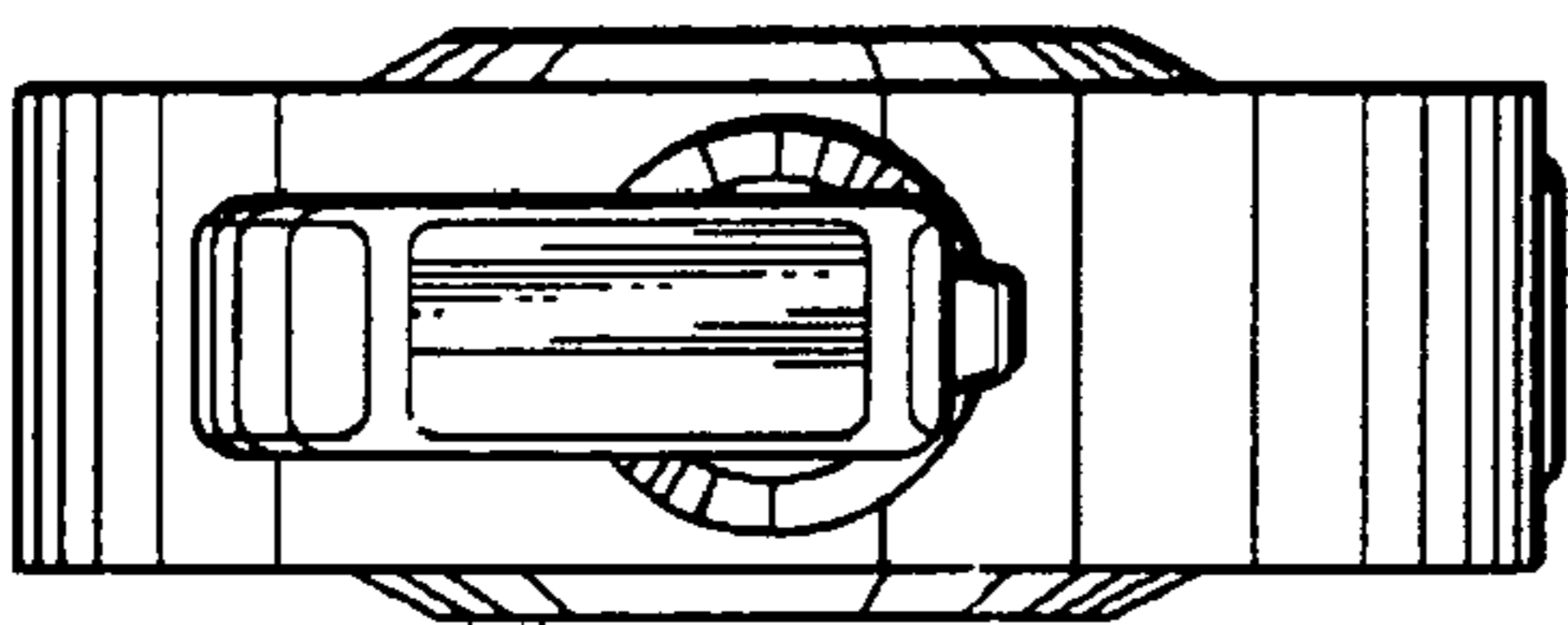


FIG. 5

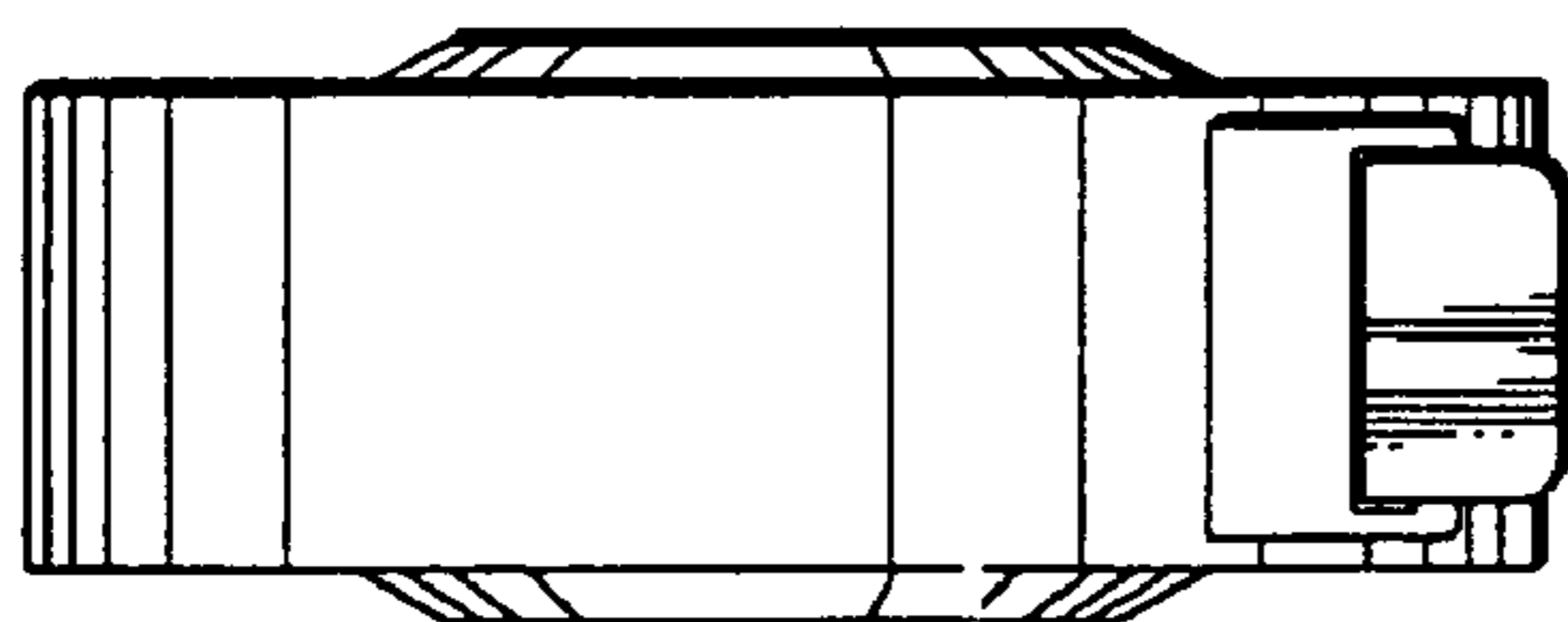


FIG. 4

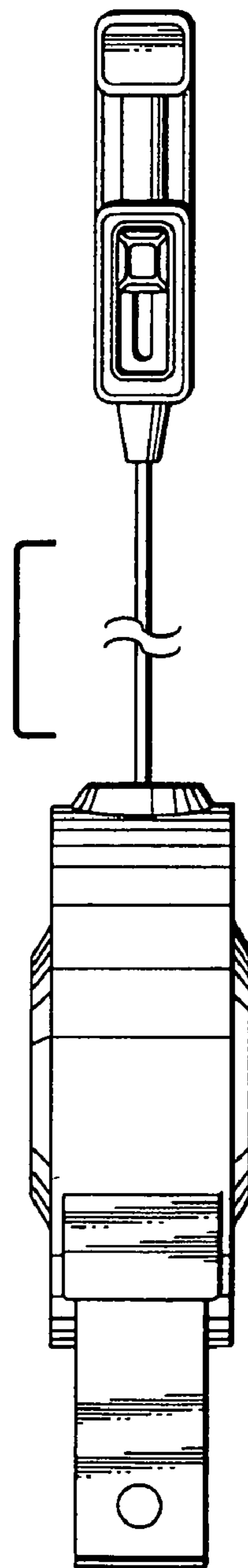


FIG. 6