

US00D638319S

(12) **United States Design Patent**
Vanhoozer et al.

(10) **Patent No.:** **US D638,319 S**
(45) **Date of Patent:** **** May 24, 2011**

(54) **ATTITUDE AND CONFIGURATION DISPLAY SCREEN WITH ICONIC USER INTERFACE**

(76) Inventors: **Russell Alan Vanhoozer**, Waco, TX (US); **Bradley Grant Wilburn**, Fort Worth, TX (US)

(**) Term: **14 Years**

(21) Appl. No.: **29/349,312**

(22) Filed: **Mar. 24, 2010**

(51) **LOC (9) Cl.** **10-04**

(52) **U.S. Cl.** **D10/67**

(58) **Field of Classification Search** D10/67;
340/971, 973, 975

See application file for complete search history.

(56) **References Cited**

U.S. PATENT DOCUMENTS

D237,594 S *	11/1975	Vetter	D10/67
D290,937 S *	7/1987	Devino	D10/67
5,359,890 A *	11/1994	Fulton et al.	73/178 R
6,946,976 B1 *	9/2005	Langner et al.	340/971
D563,248 S *	3/2008	Jansson	D10/67

* cited by examiner

Primary Examiner — Antoine D Davis

(74) *Attorney, Agent, or Firm* — Jeffrey Roddy

(57) **CLAIM**

The ornamental design for an attitude and configuration display screen with an iconic user interface, as shown and described.

DESCRIPTION

FIG. 1 is a front view of the attitude and configuration display with an iconic user interface having a first appearance state; and,

FIG. 2 is a front view of an attitude and configuration display with an iconic user interface having a second display state; and,

FIG. 3 is a front view of the attitude and configuration display with an iconic user interface having a third appearance state; and,

FIG. 4 is a front view of the attitude and configuration display with an iconic user interface having a fourth appearance state; and,

FIG. 5 is a front view of the attitude and configuration display with an iconic user interface having a fifth appearance state; and,

FIG. 6 is a front view of the attitude and configuration display with an iconic user interface having a sixth appearance state; and,

FIG. 7 is a front view of the attitude and configuration display with an iconic user interface having a seventh appearance state; and,

FIG. 8 is a front view of the attitude and configuration display with an iconic user interface having an eighth appearance state; and,

FIG. 9 is a front view of the attitude and configuration display with an iconic user interface having a ninth appearance state; and,

FIG. 10 is a front view of the attitude and configuration display with an iconic user interface having a tenth appearance state; and,

FIG. 11 is a front view of the attitude and configuration display with an iconic user interface having an eleventh appearance state; and,

FIG. 12 is a front view of the attitude and configuration display with an iconic user interface having a twelfth appearance state.

The appearances of the attitude and configuration display screen with an iconic user interface 10' are depicted by the representative appearance states in FIGS. 1-12, with a sequence of transitions between appearance states.

The subject matter of this application comprises a process by which icon image 10' is modified into a different image. This process forms no part of the claimed design.

The broken lines showing a portion of an attitude indicator display with a border, an artificial horizon, and accompanying numbers are included herein for merely exemplary purposes and form no part of the claimed design.

Both the claimed design and the unclaimed design indicated by the broken lines are intended to be flush with respect to each other.

The broken line showing of structural features is included for the purpose of illustrating non-claimed subject matter and forms no part of the claimed design.

1 Claim, 6 Drawing Sheets

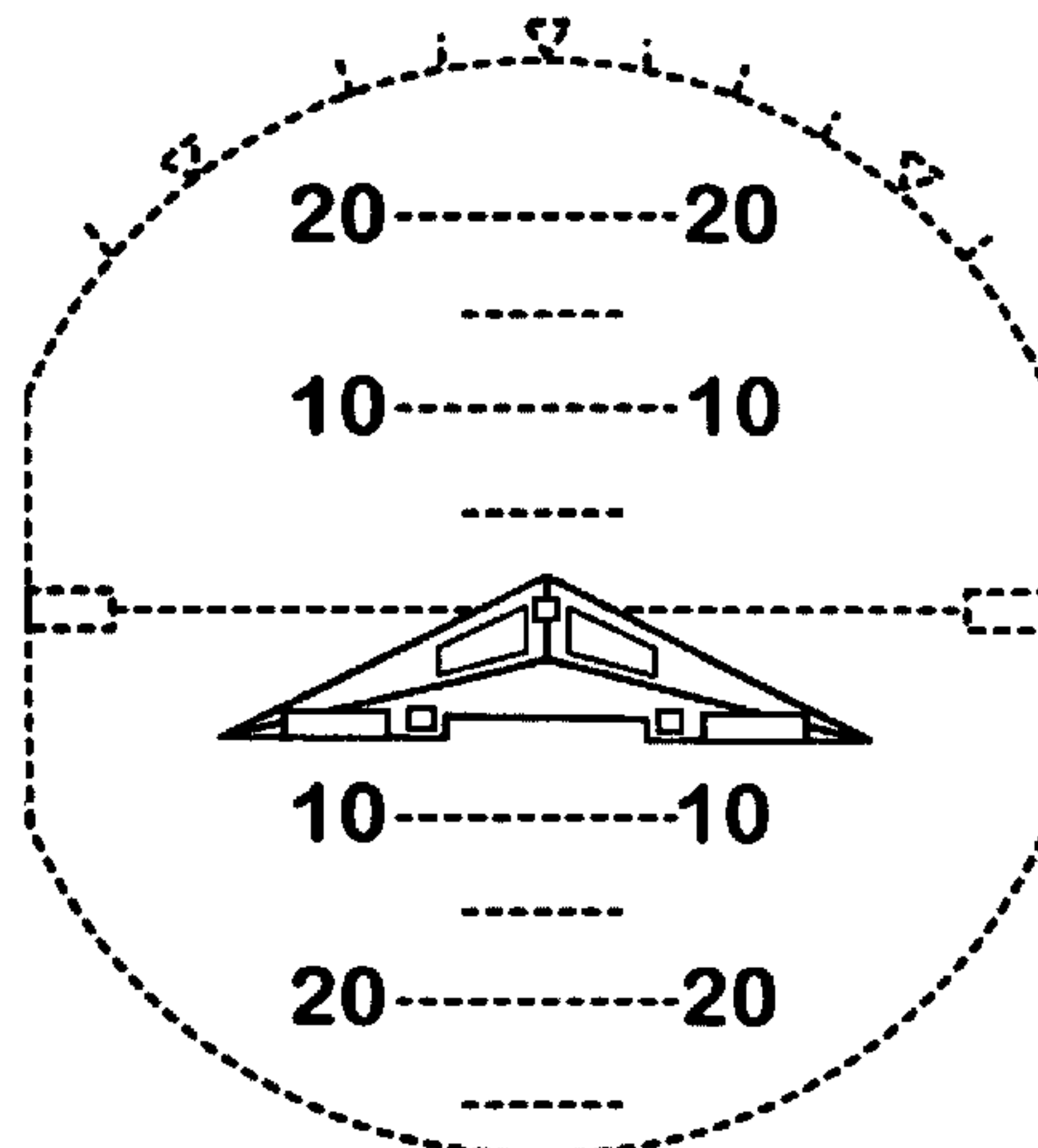


FIG. 1

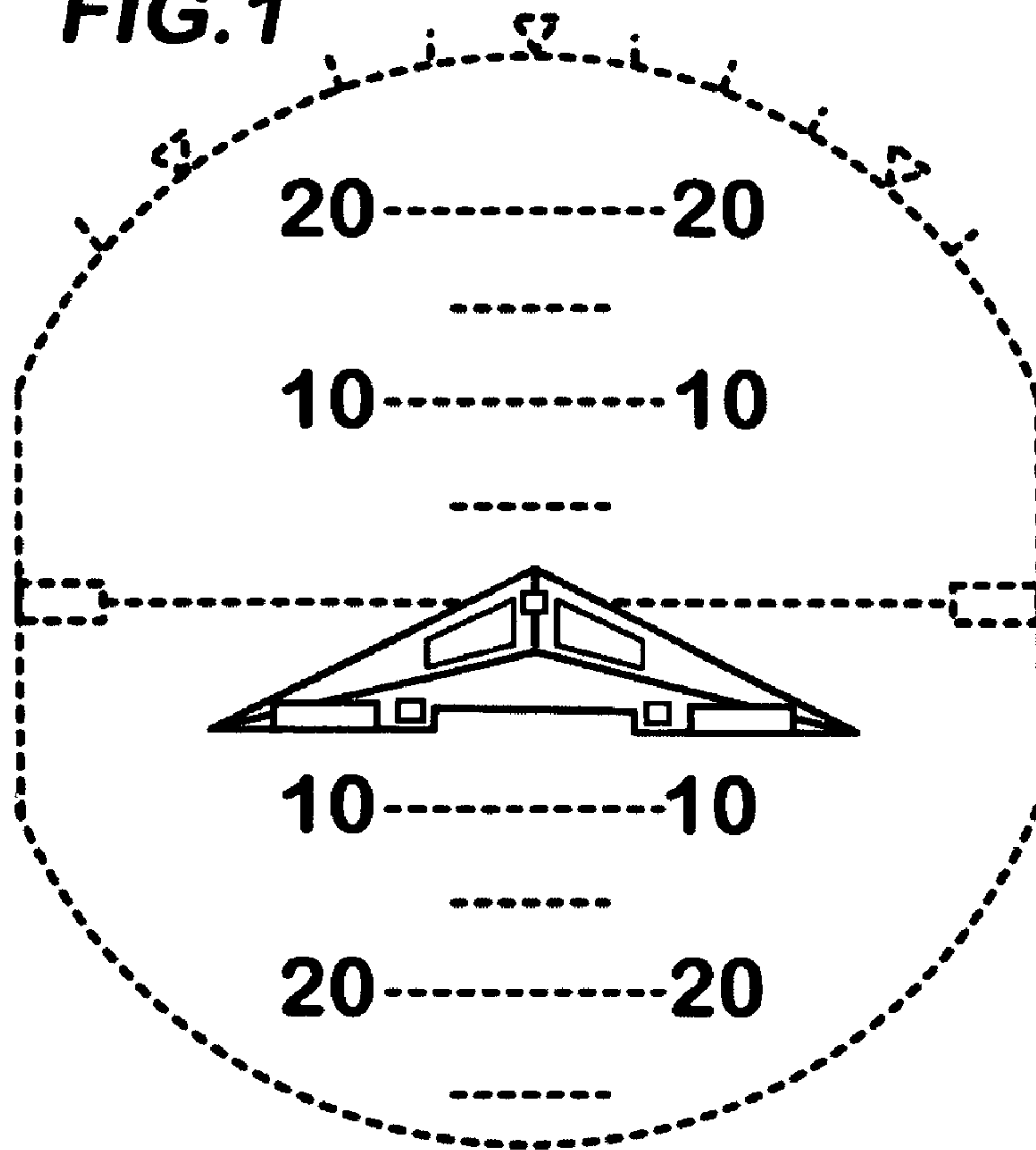


FIG. 2

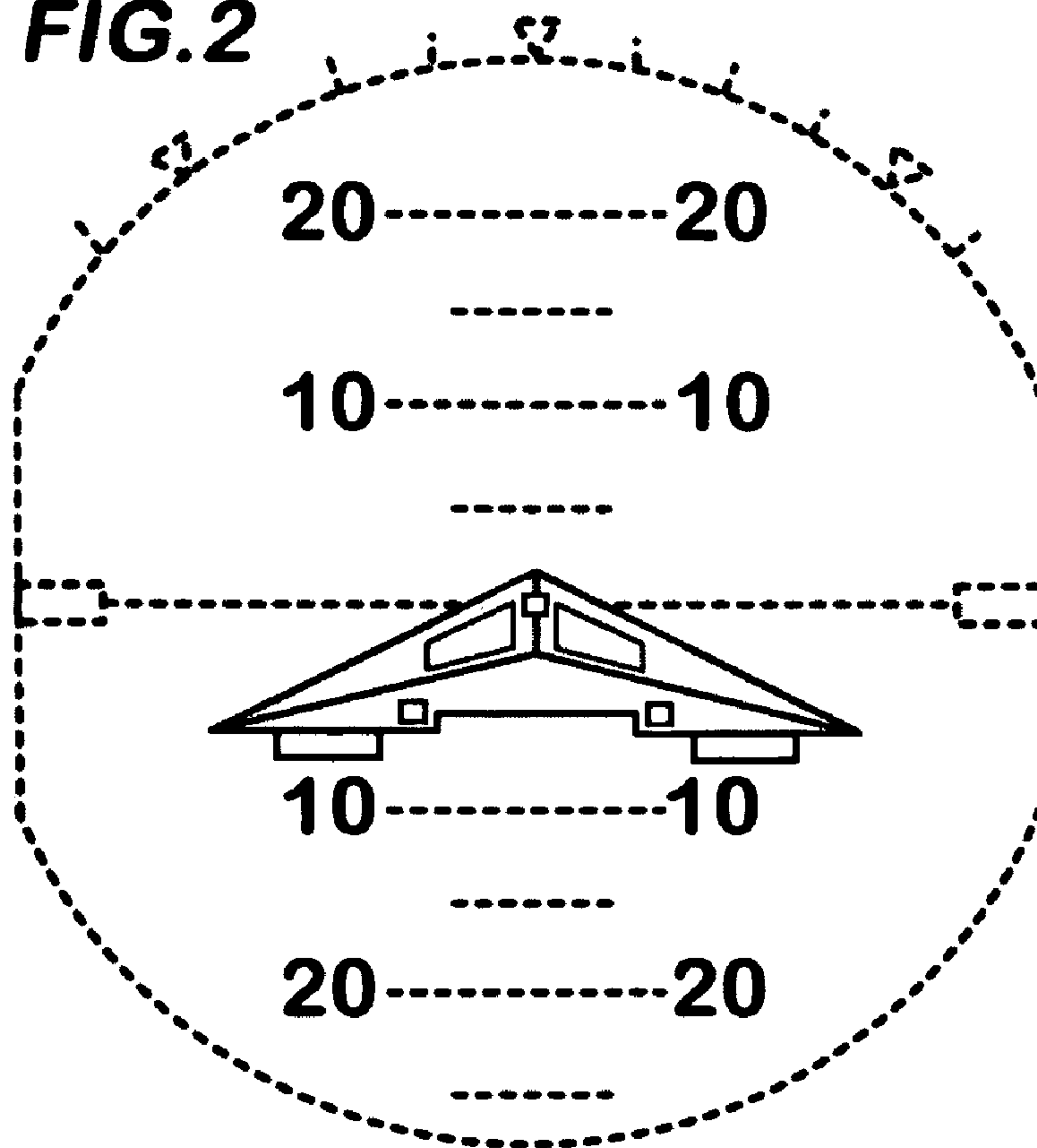


FIG. 3

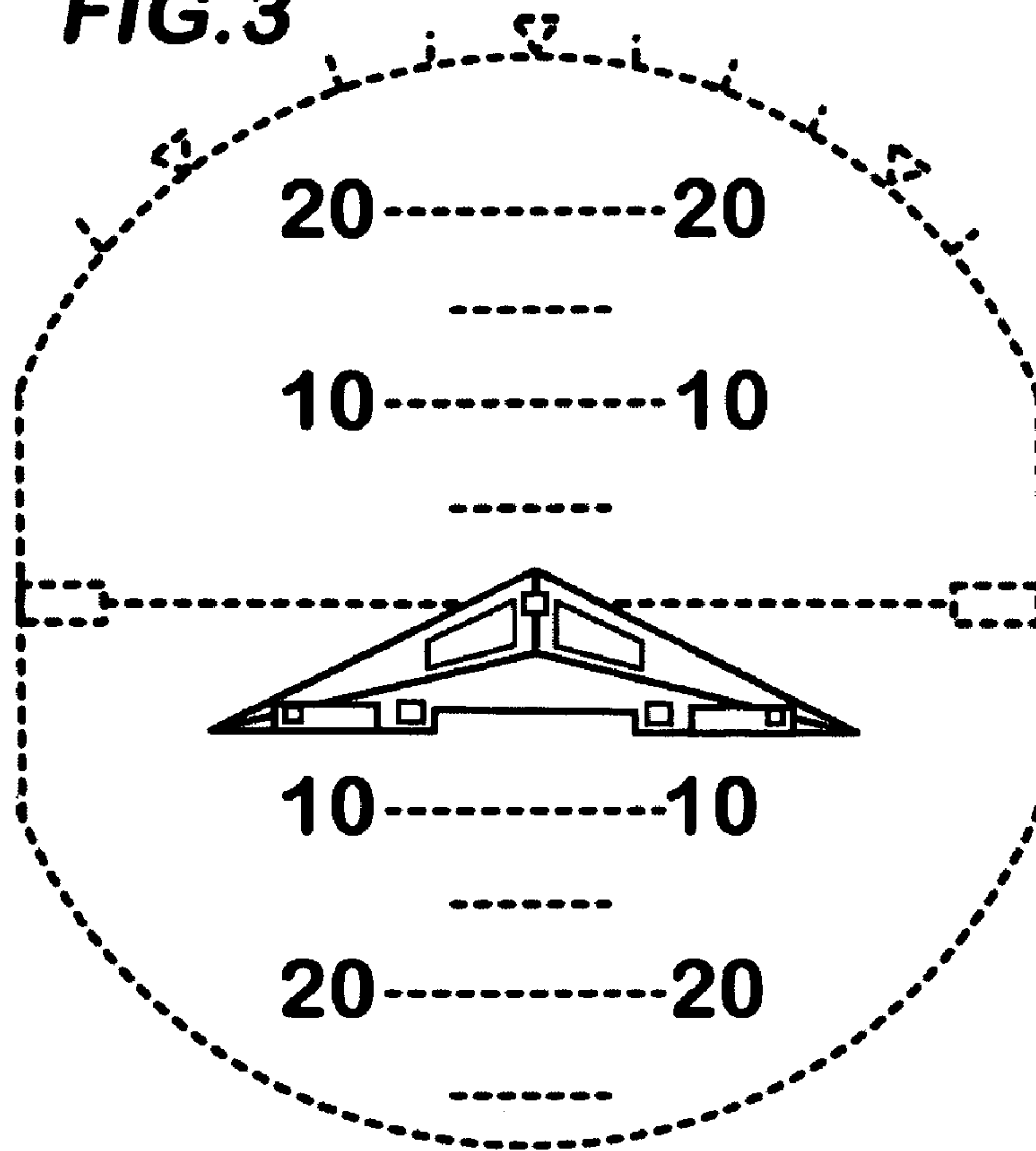


FIG. 4

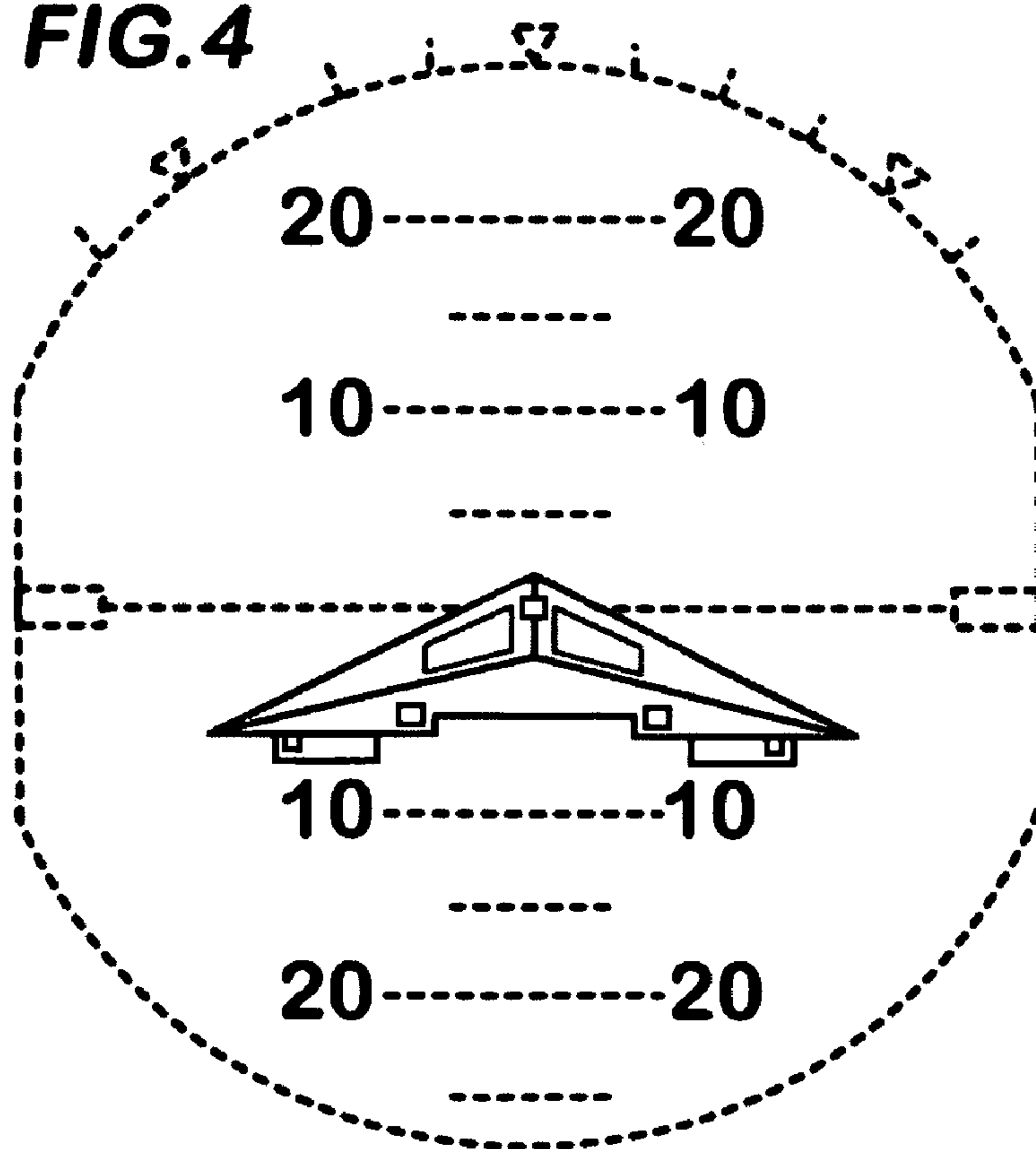


FIG. 5

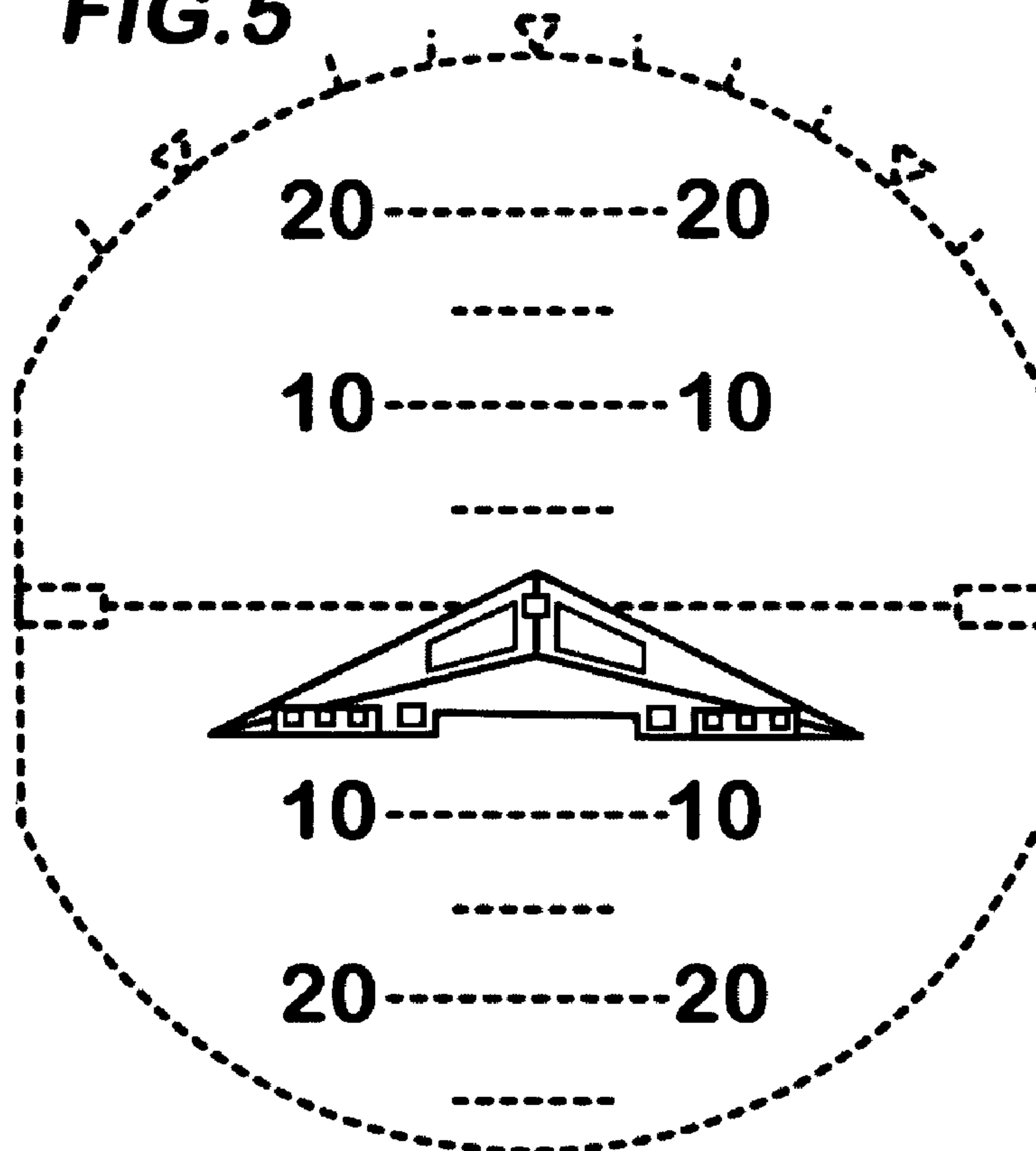


FIG. 6

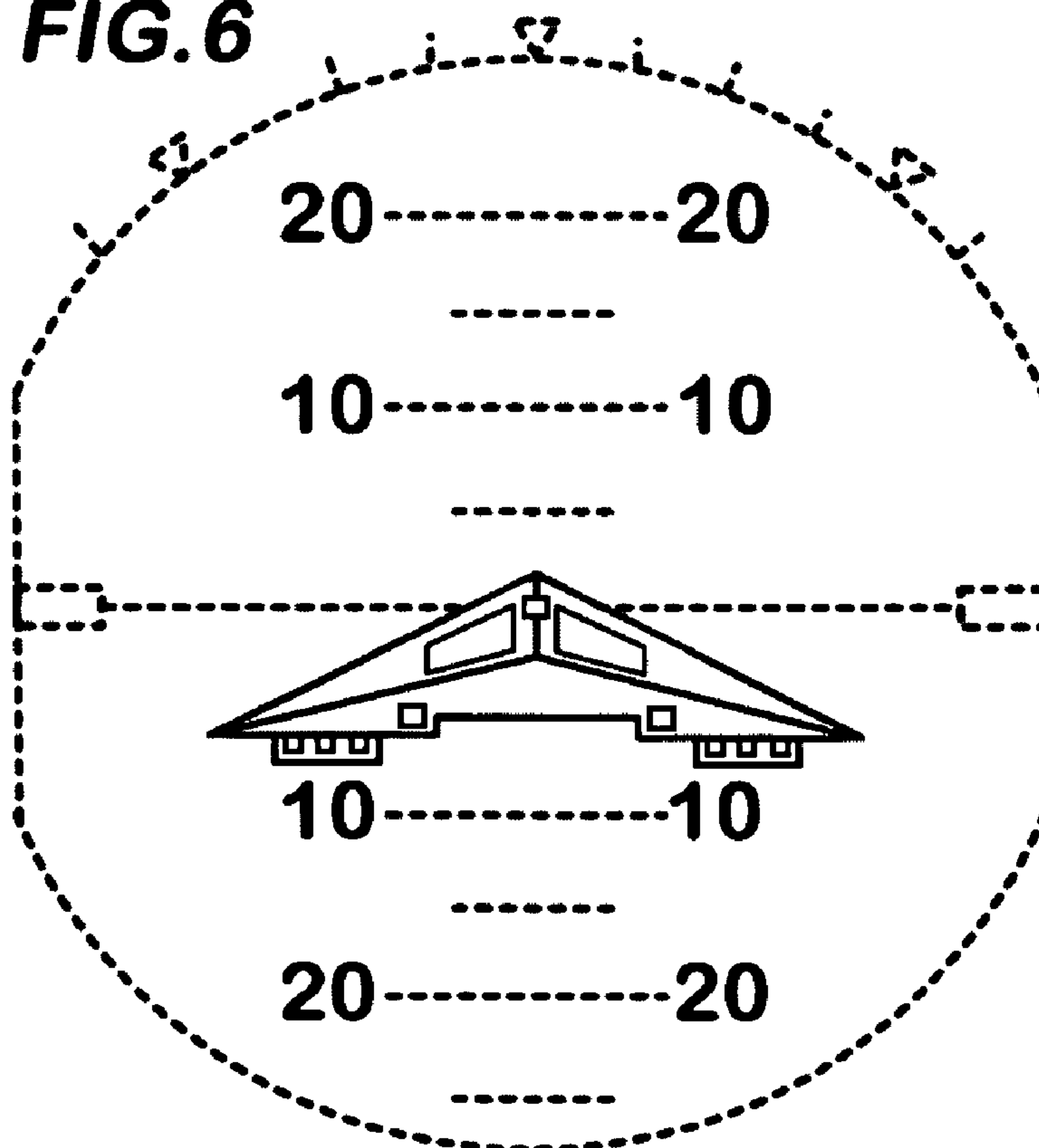


FIG. 7

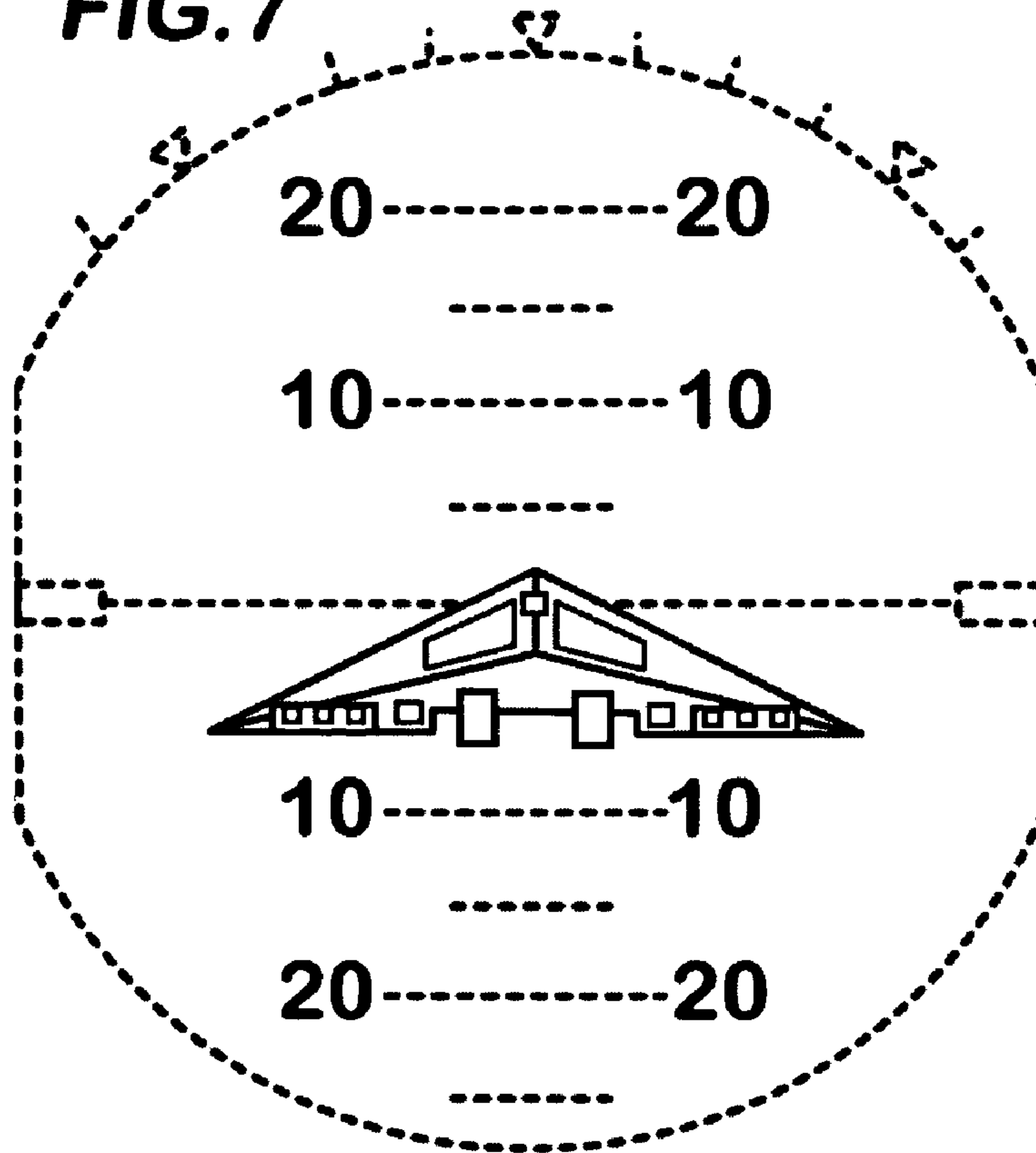


FIG. 8

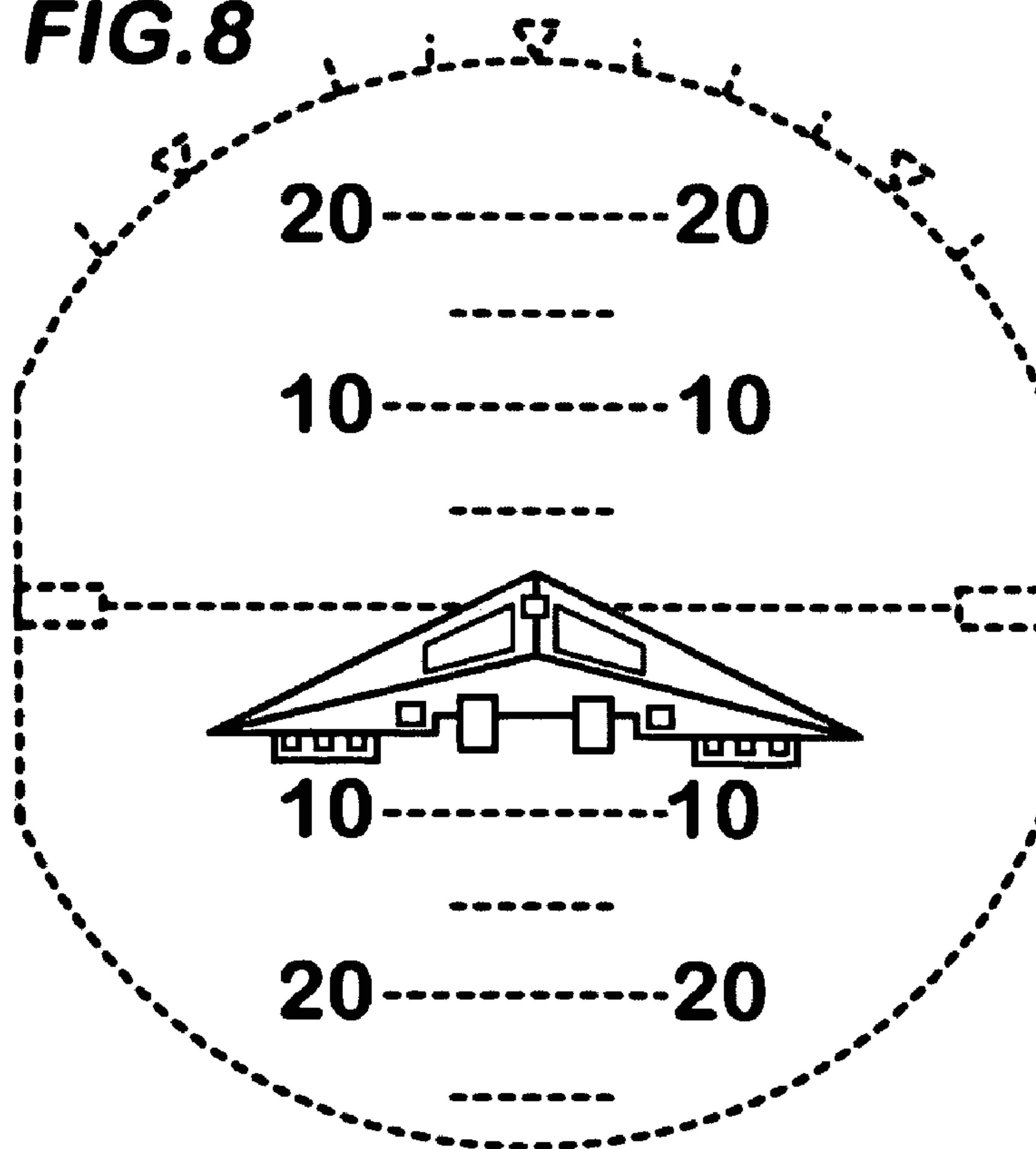


FIG. 9

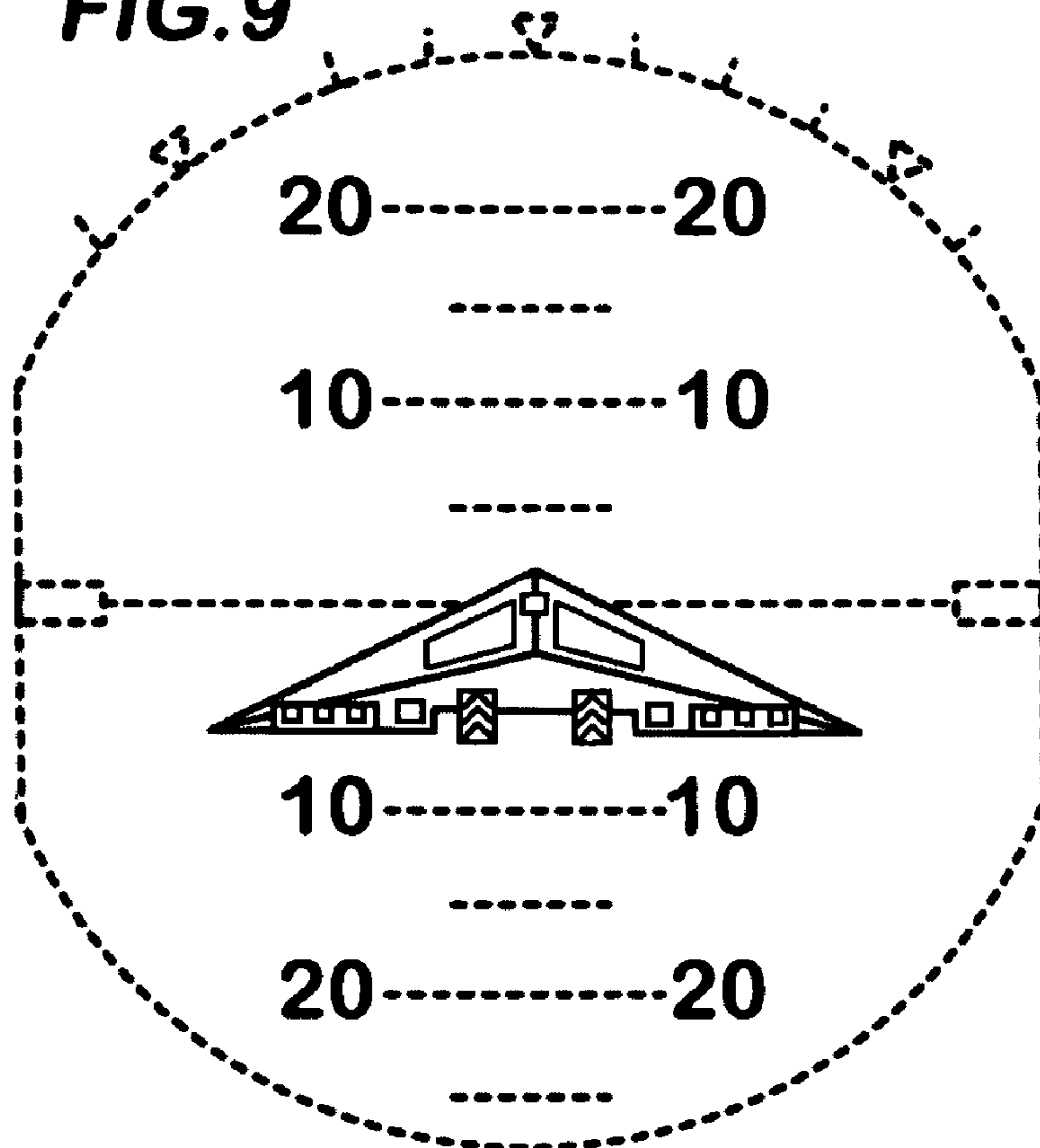


FIG. 10

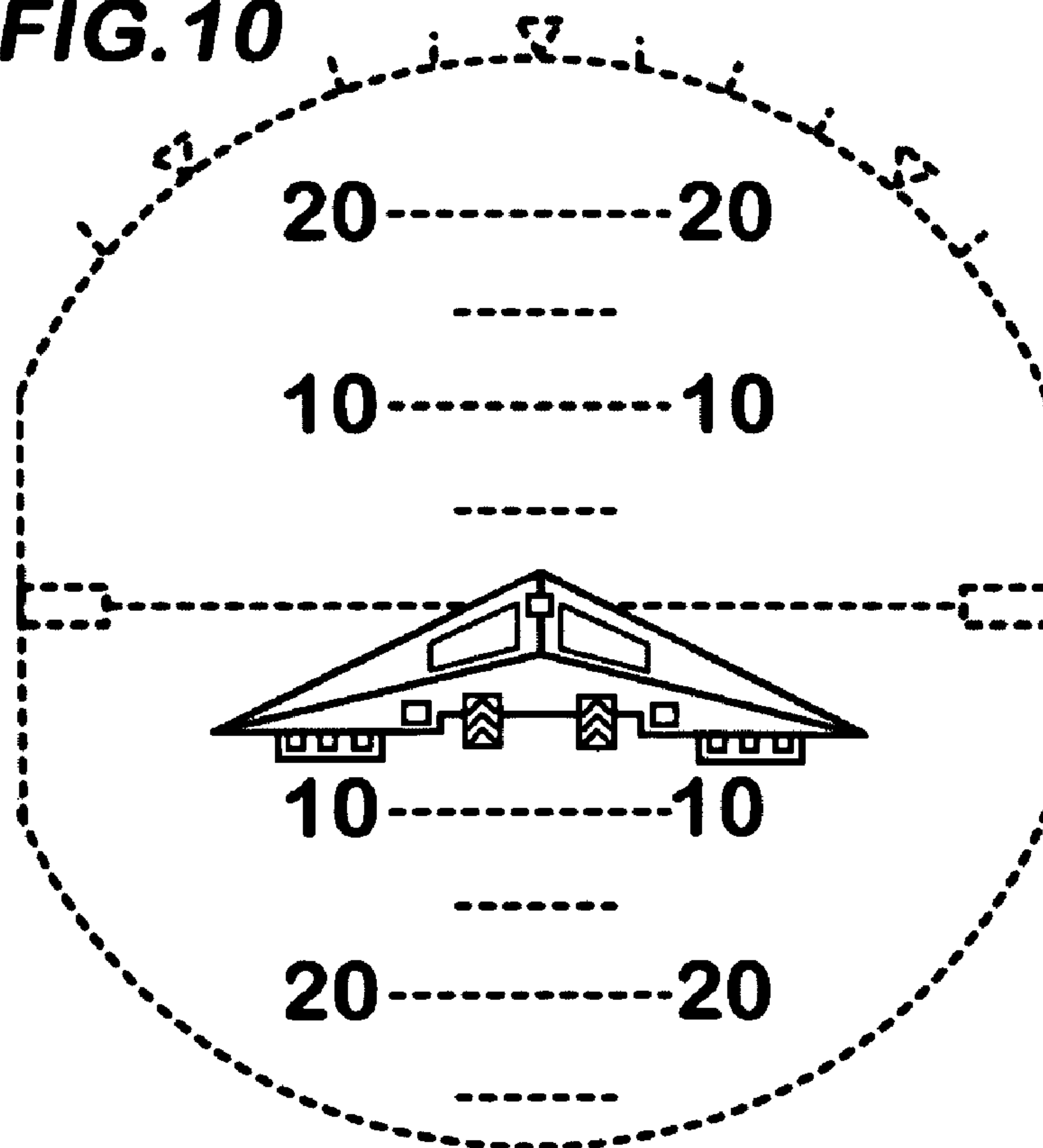


FIG. 11

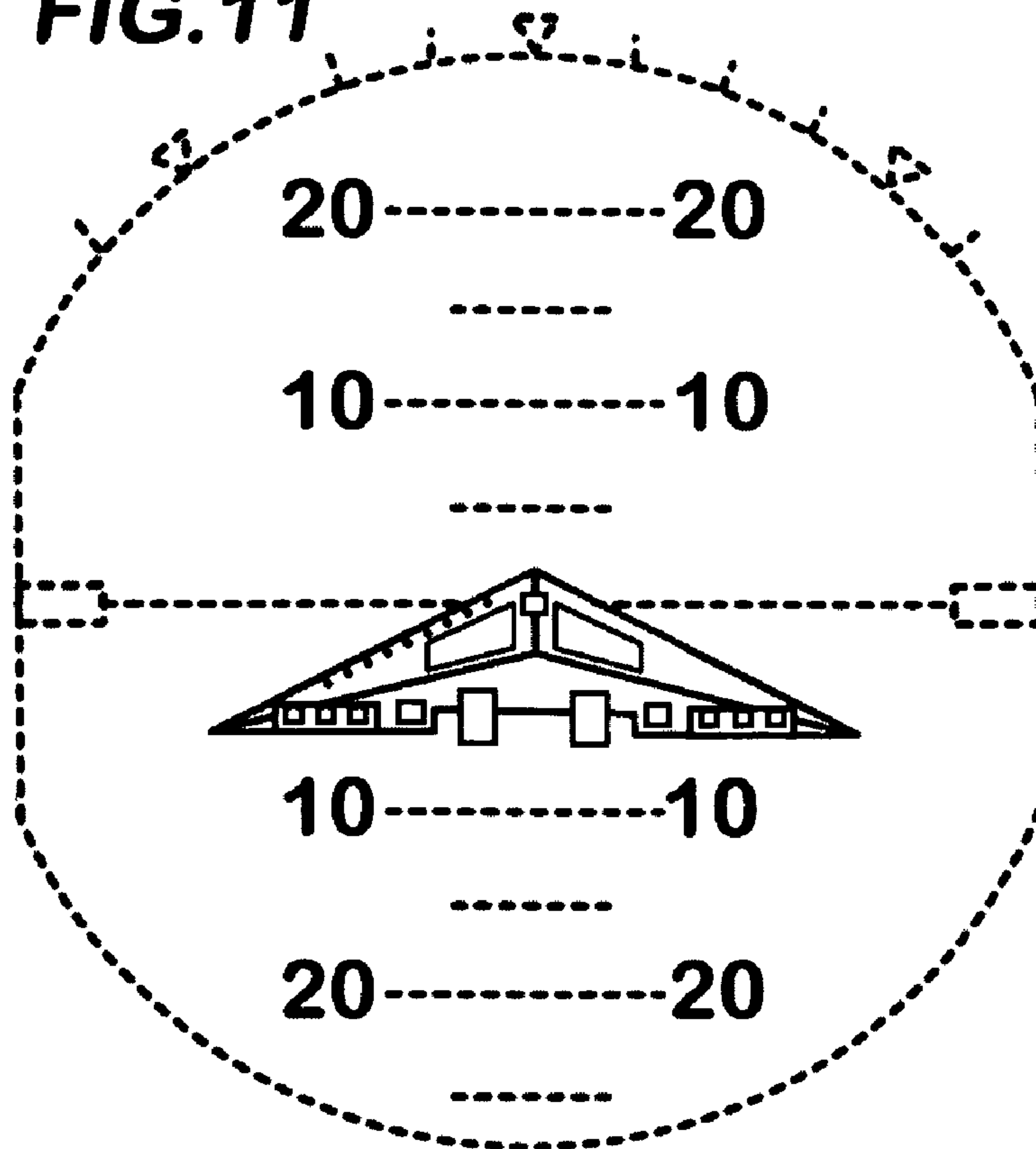


FIG. 12

