



US00D638318S

(12) **United States Design Patent**  
**Riegl**

(10) **Patent No.:** **US D638,318 S**

(45) **Date of Patent:** **\*\* May 24, 2011**

(54) **LASER SCANNER**

*Primary Examiner* — Antoine D Davis

(75) Inventor: **Johannes Riegl**, Trabenreith (AT)

(74) *Attorney, Agent, or Firm* — Hoffmann & Baron, LLP

(73) Assignee: **RIEGL Laser Measurement Systems GmbH**, Horn (AT)

(57) **CLAIM**

(\*\*) Term: **14 Years**

The ornamental design for a laser scanner, as shown and described.

(21) Appl. No.: **29/357,835**

(22) Filed: **Mar. 18, 2010**

**DESCRIPTION**

(51) **LOC (9) Cl.** ..... **10-04**

(52) **U.S. Cl.** ..... **D10/66; D10/69**

(58) **Field of Classification Search** ..... D10/66,  
D10/69, 70; 33/276, 277, 281, 285, 286,  
33/290, 291–299, DIG. 21; 340/539, 825.36,  
340/825.46, 825.49; 356/5.15, 4.01, 5.01,  
356/4.05, 5.05–5.09, 5.12, 28.5, 345, 375,  
356/3.01, 128–155, 399–400; 385/83, 97–99,  
385/134–139; 701/211–213, 150, 158;  
264/1.24–1.25

See application file for complete search history.

FIG. 1 is a perspective view of a first embodiment of a laser scanner constructed in accordance with the invention;  
FIG. 2 is a front elevational view of the 1 laser scanner shown in FIG. 1, the rear elevational view being identical to the front elevational view;  
FIG. 3 is a side elevational view of the laser scanner shown in FIG. 1;  
FIG. 4 is a top plan view of the laser scanner shown in FIG. 1;  
FIG. 5 is a perspective view of a second embodiment of a laser scanner constructed in accordance with the invention;  
FIG. 6 is a front elevational view of the laser scanner shown in FIG. 5, the rear elevational view being identical to the front elevational view;  
FIG. 7 is a side elevational view of the laser scanner shown in FIG. 5; and,  
FIG. 8 is a top plan view of the laser scanner shown in FIG. 5.

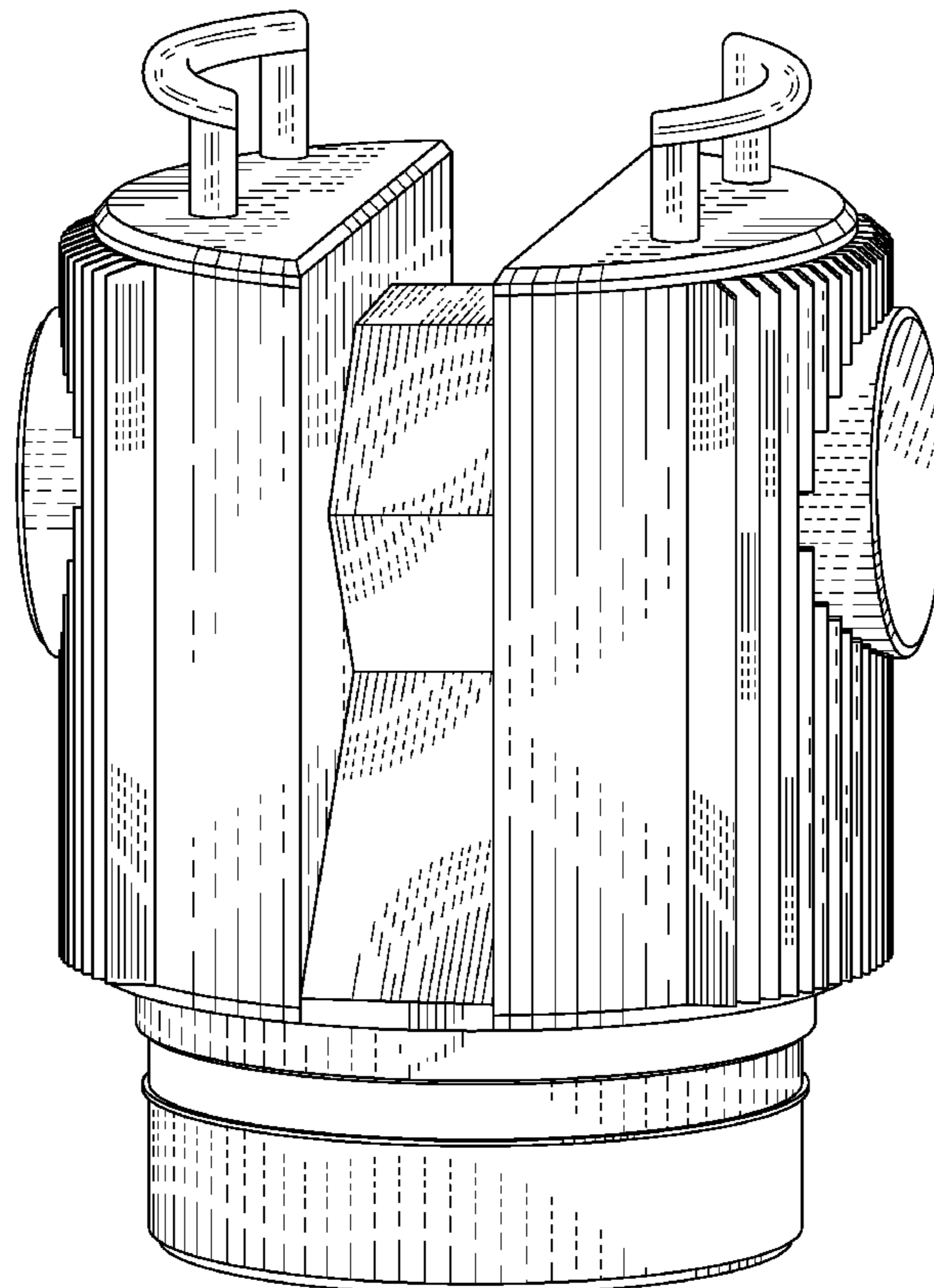
(56) **References Cited**

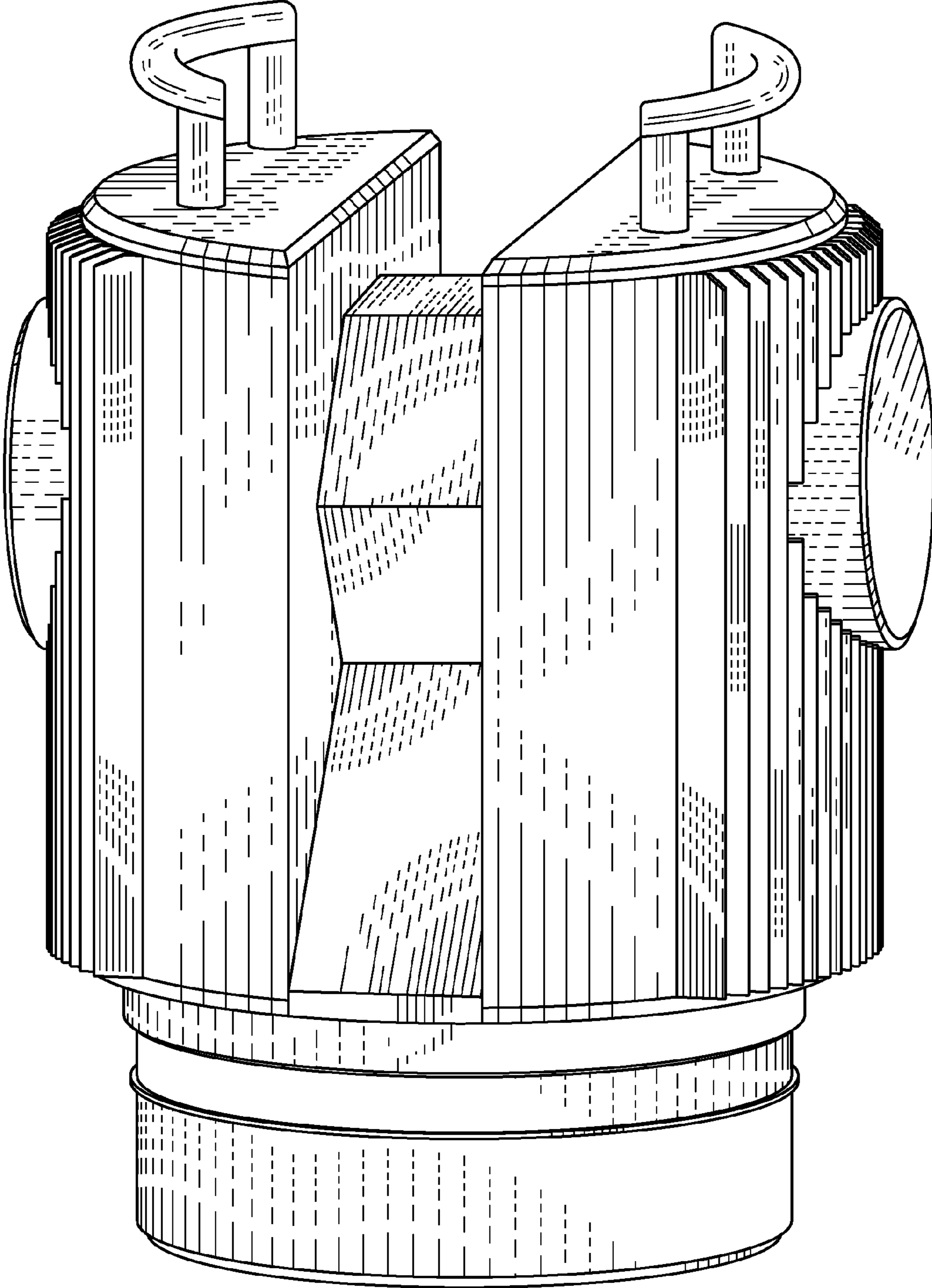
**U.S. PATENT DOCUMENTS**

D563,247 S \* 3/2008 Ishii ..... D10/69  
D612,753 S \* 3/2010 Ishii et al. .... D10/66

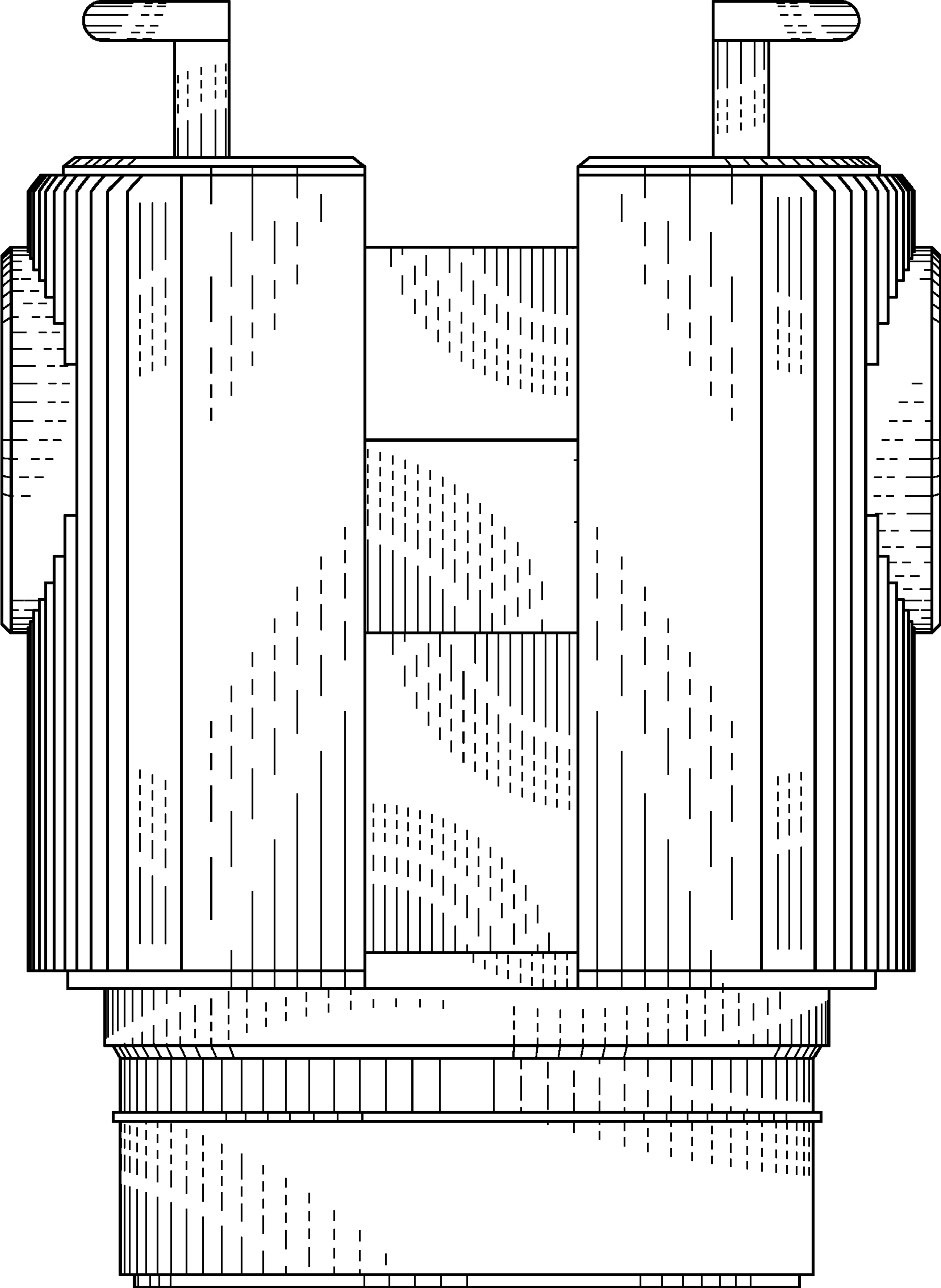
\* cited by examiner

**1 Claim, 8 Drawing Sheets**

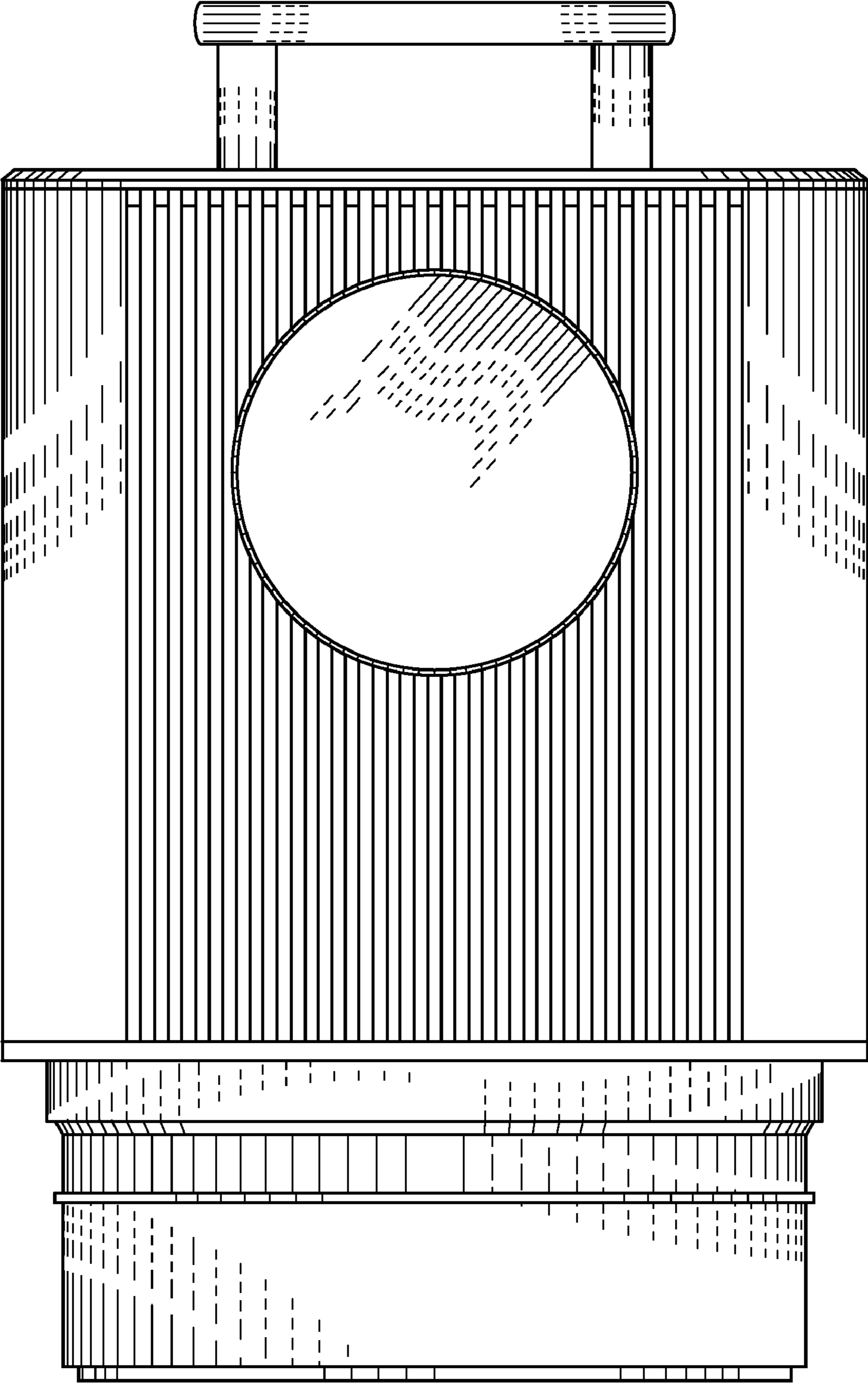




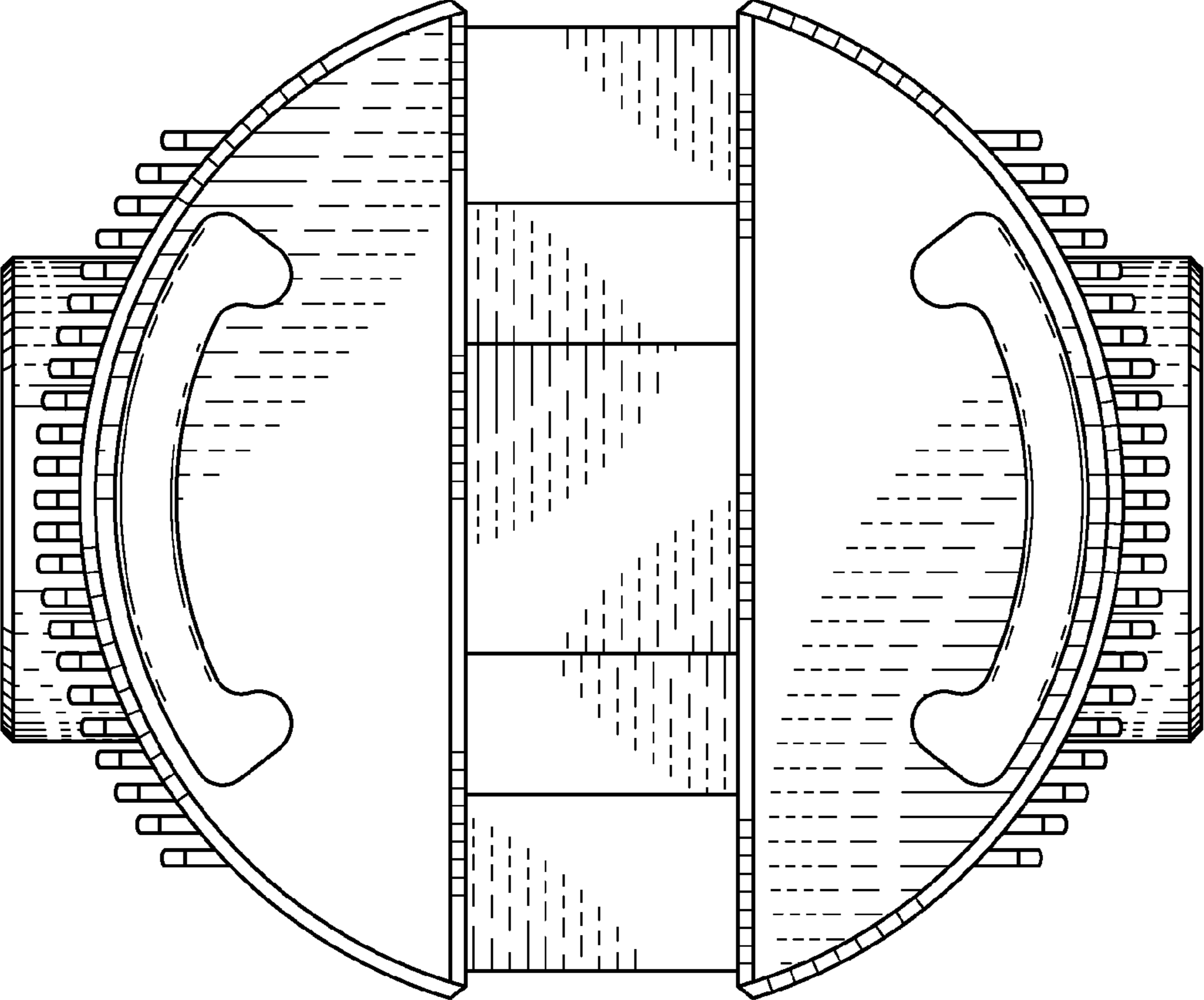
*Fig. 1*



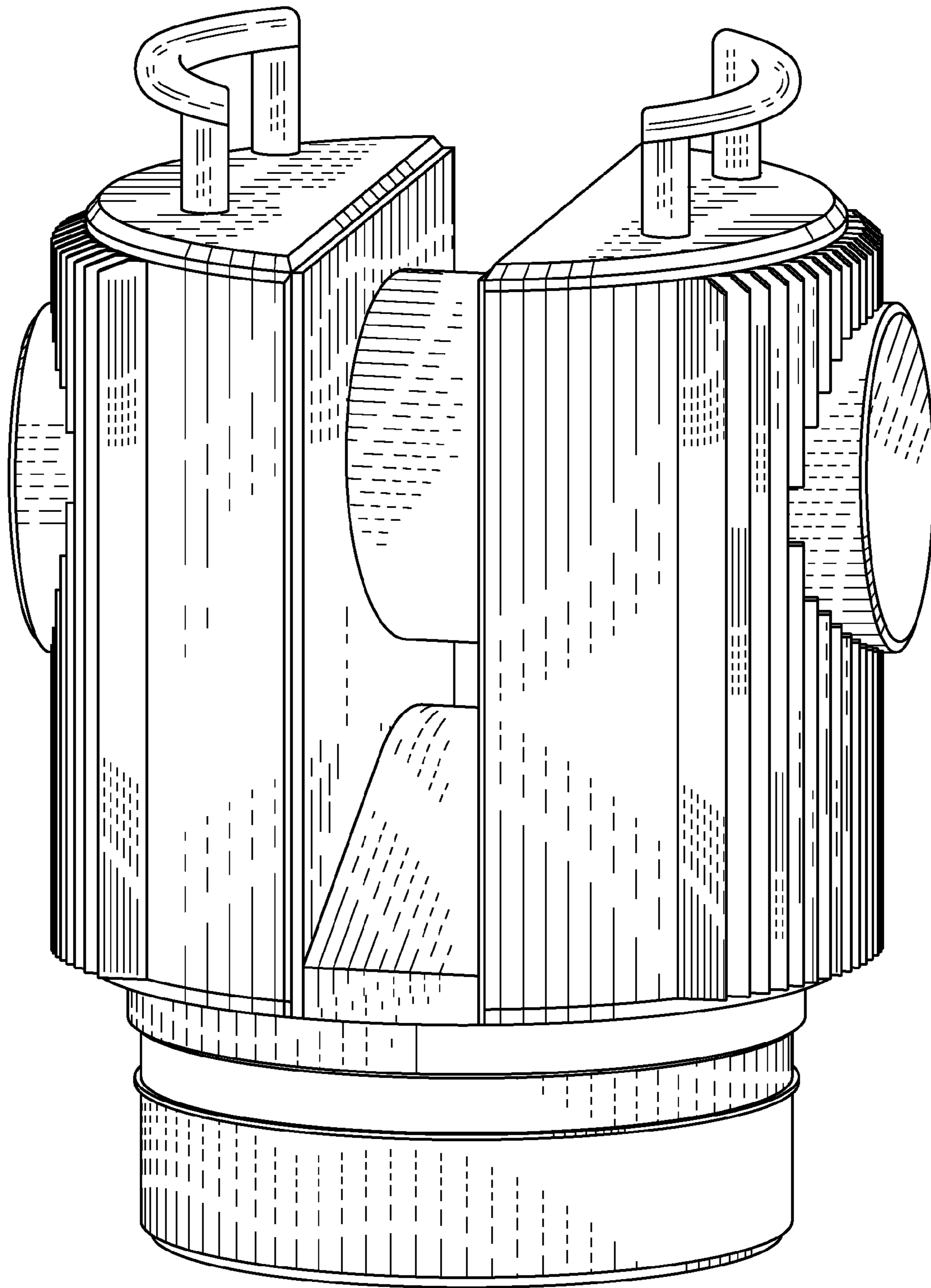
*Fig. 2*



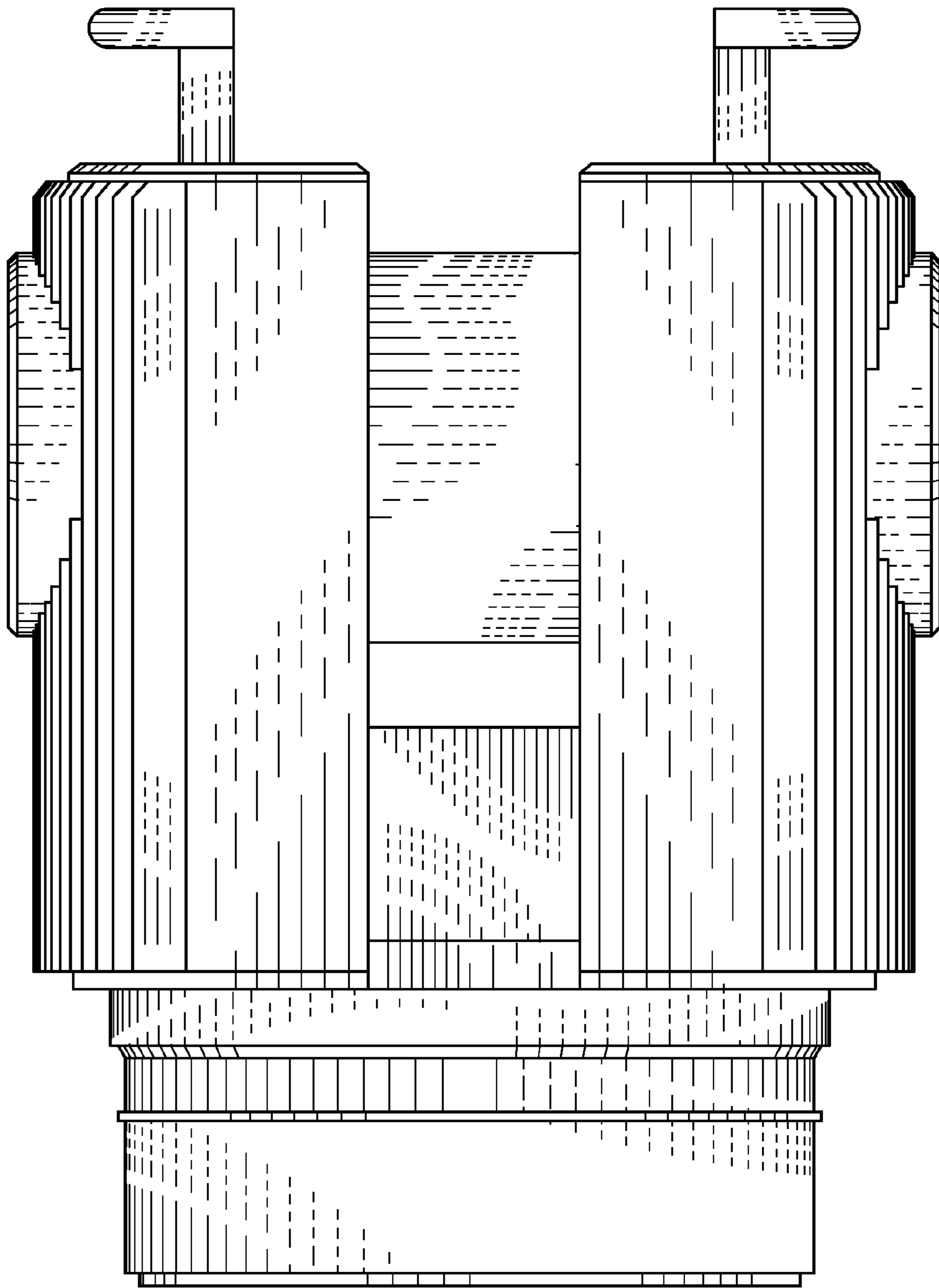
*Fig. 3*



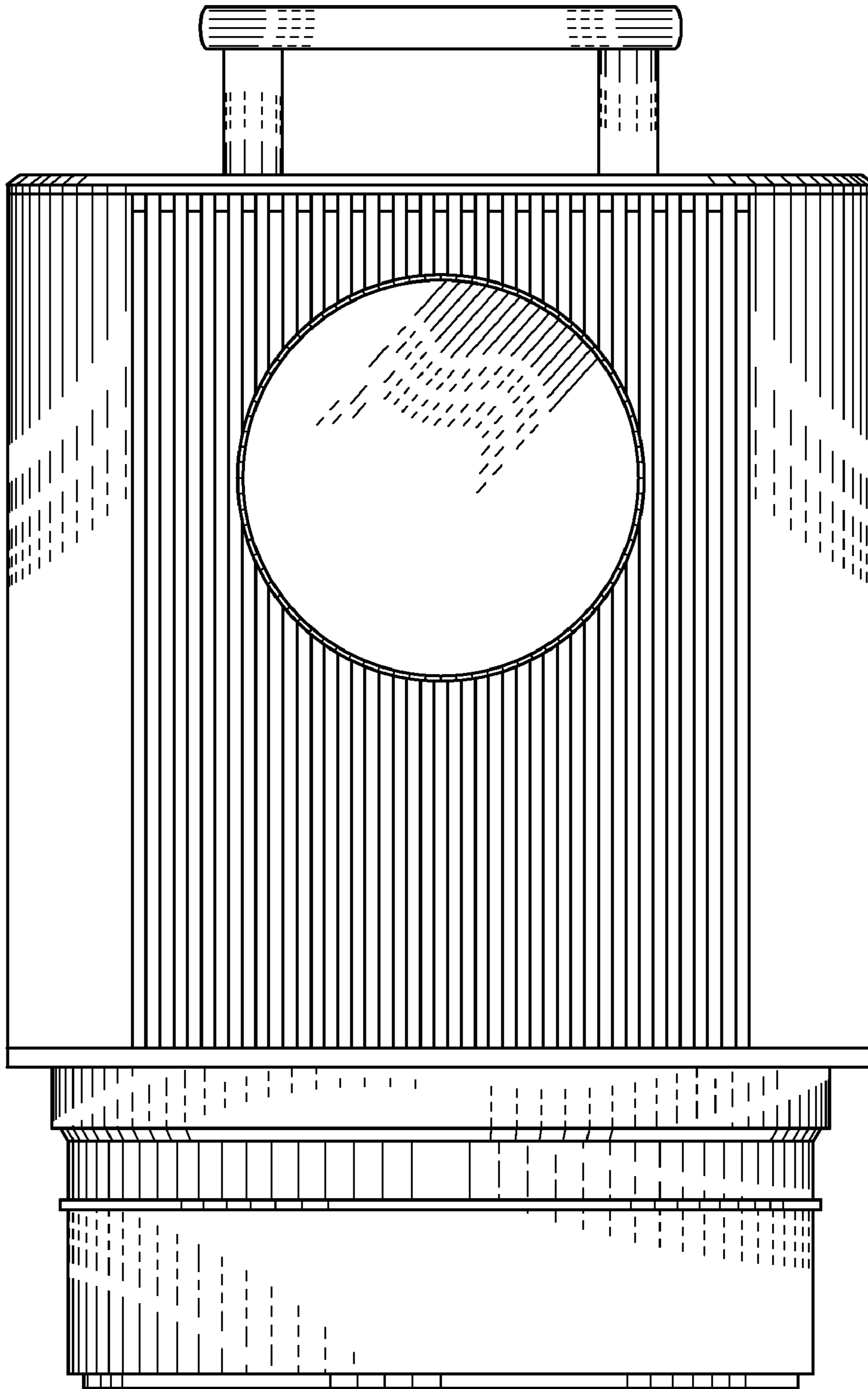
*Fig. 4*



*Fig. 5*

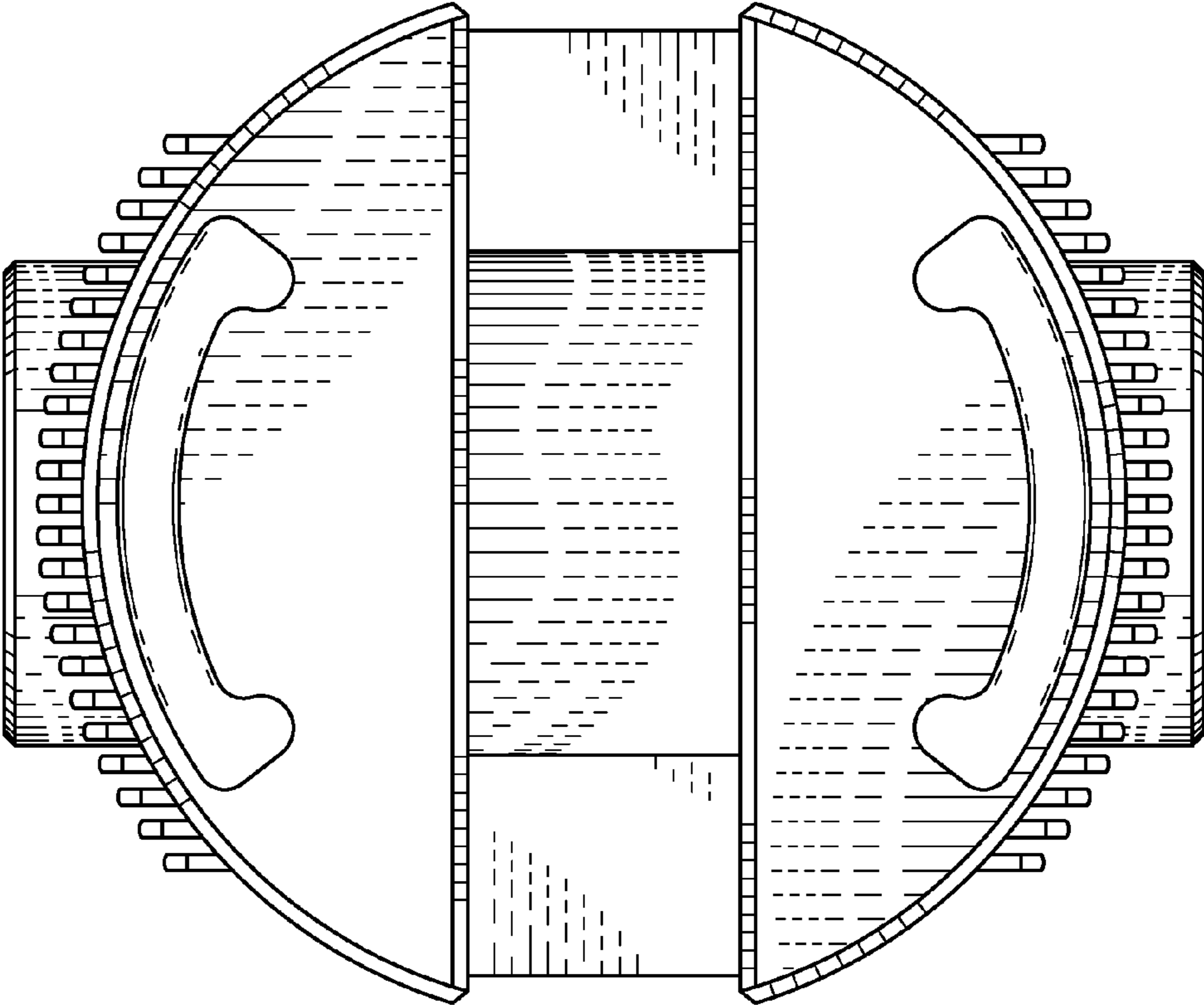


*Fig. 6*



*Fig. 7*





*Fig. 8*