

US00D638314S

(12) **United States Design Patent**  
**Libman et al.**

(10) **Patent No.:** **US D638,314 S**  
(45) **Date of Patent:** **\*\* May 24, 2011**

(54) **COVER FOR SURFACE MOUNT CONTROL BOX**

(75) Inventors: **David Libman**, Dove Canyon, CA (US);  
**Tuan Tran**, Irvine, CA (US); **Robert Chaloupecky**, Apex, NC (US)

(73) Assignee: **RGB Systems, Inc.**, Anaheim, CA (US)

(\*\*) Term: **14 Years**

(21) Appl. No.: **29/360,056**

(22) Filed: **Apr. 20, 2010**

**Related U.S. Application Data**

(63) Continuation of application No. 29/316,251, filed on Sep. 4, 2009, now abandoned.

(51) **LOC (9) Cl.** ..... **10-04**

(52) **U.S. Cl.** ..... **D10/49**

(58) **Field of Classification Search** ..... D10/48,  
D10/49, 99-103; D13/162; 55/270, 274,  
55/279, DIG. 7, DIG. 34; 62/176.6, 125-130,  
62/78, 180, 186; 73/23.2, 23.34, 31.01, 31.02,  
73/431, 170.16-170.19, 170.21-170.25,  
73/863.12, 29, 29.02, 335.01-335.14; 236/46 R,  
236/47, 94, 44 C, 44 R, 49.3, 44 A, 96; 337/112,  
337/327, 360; 340/602, 627, 632, 634; 361/346;  
364/141, 146, 147, 188, 420, 557; 454/229,  
454/239, 256, 257, 258; 700/18, 159, 181  
See application file for complete search history.

(56) **References Cited**

**U.S. PATENT DOCUMENTS**

D421,399 S \* 3/2000 Bennett et al. .... D10/49  
D431,199 S \* 9/2000 Bennett et al. .... D10/49  
6,457,802 B2 \* 10/2002 Jackson ..... 347/35  
6,525,667 B1 \* 2/2003 Fujita et al. .... 340/815.4

D513,493 S 1/2006 Feldstein et al.  
D528,444 S \* 9/2006 Horie et al. .... D10/49  
D559,710 S \* 1/2008 Jacoby et al. .... D10/49  
D569,863 S 5/2008 Feldstein et al.  
D579,796 S \* 11/2008 Schmid et al. .... D10/49  
D579,797 S \* 11/2008 Schmid et al. .... D10/49

\* cited by examiner

*Primary Examiner* — Antoine D Davis

(74) *Attorney, Agent, or Firm* — The Hecker Law Group, PLC

(57) **CLAIM**

The ornamental design for a cover for a surface mount control box, as shown and described.

**DESCRIPTION**

FIG. 1 is a perspective view of a cover for a surface mount control box of the present invention.

FIG. 2 is a perspective view of the cover for a surface mount control box of FIG. 1, with the cover in the closed position.

FIG. 3 is a top view of the cover for a surface mount control box of FIG. 1, with the cover in the closed position.

FIG. 4 is a top view of the cover for a surface mount control box of FIG. 1.

FIG. 5 is a left side view of the cover for a surface mount control box of FIG. 1.

FIG. 6 is a right side view of the cover for a surface mount control box of FIG. 1.

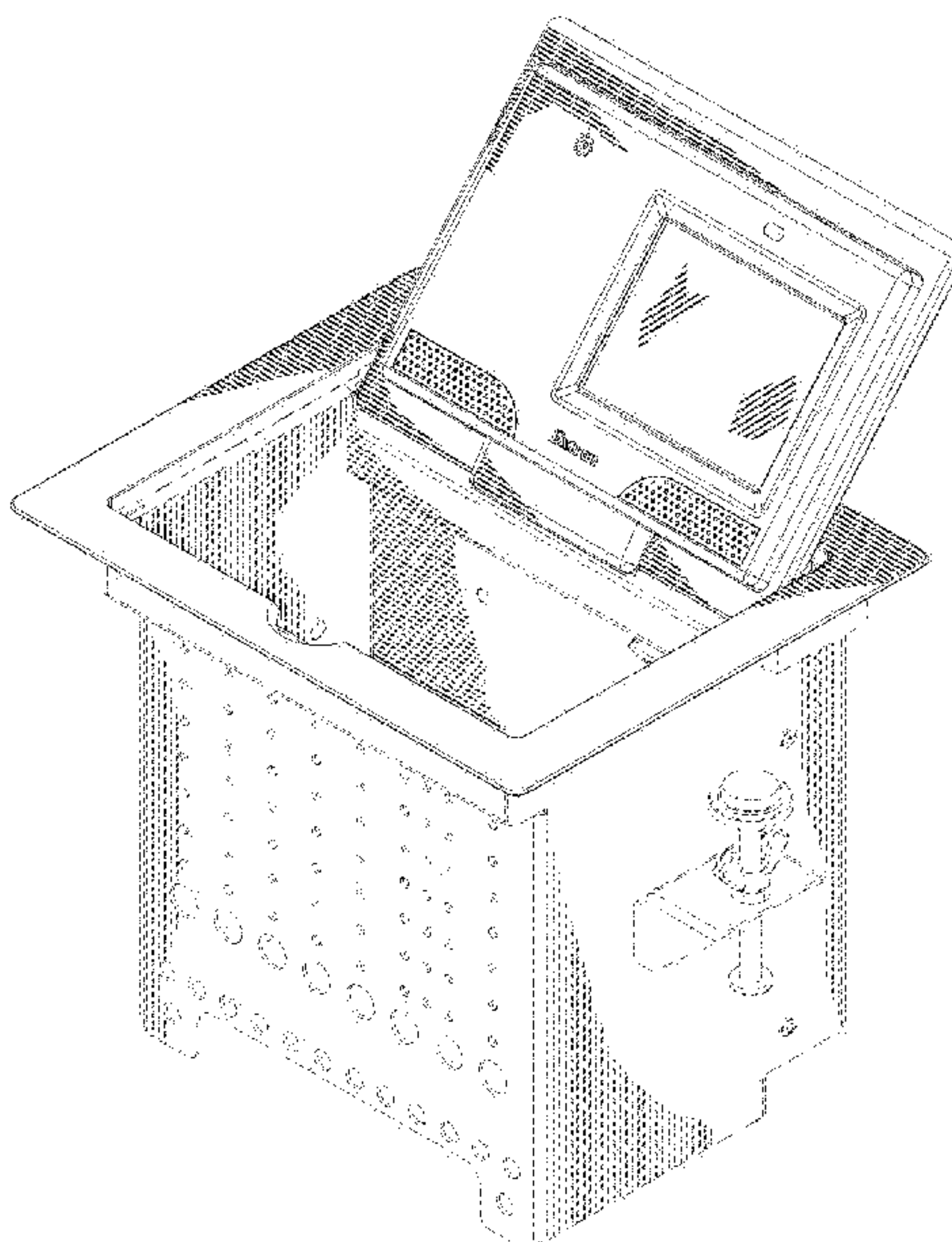
FIG. 7 is a front view of the cover for a surface mount control box of FIG. 1.

FIG. 8 is a back view of the cover for a surface mount control box of FIG. 1 with the cover in the closed position; and,

FIG. 9 is a bottom view of the cover for a surface mount control box of FIG. 1.

The broken lines in FIGS. 1-9 of the surface mount control box to which the claimed cover is mounted is for illustrative purposes only and forms no part of the claimed design.

**1 Claim, 9 Drawing Sheets**



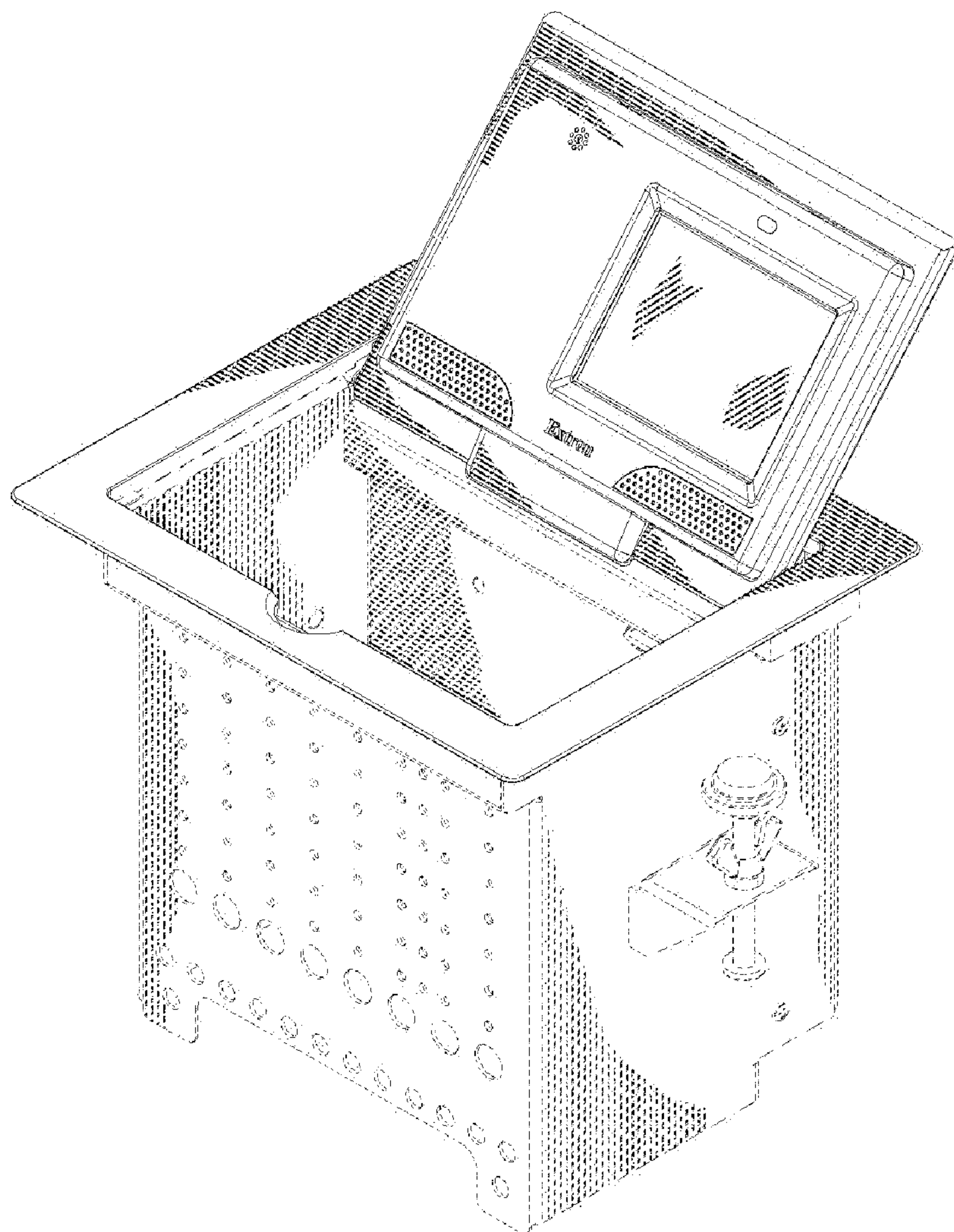


FIG. 1

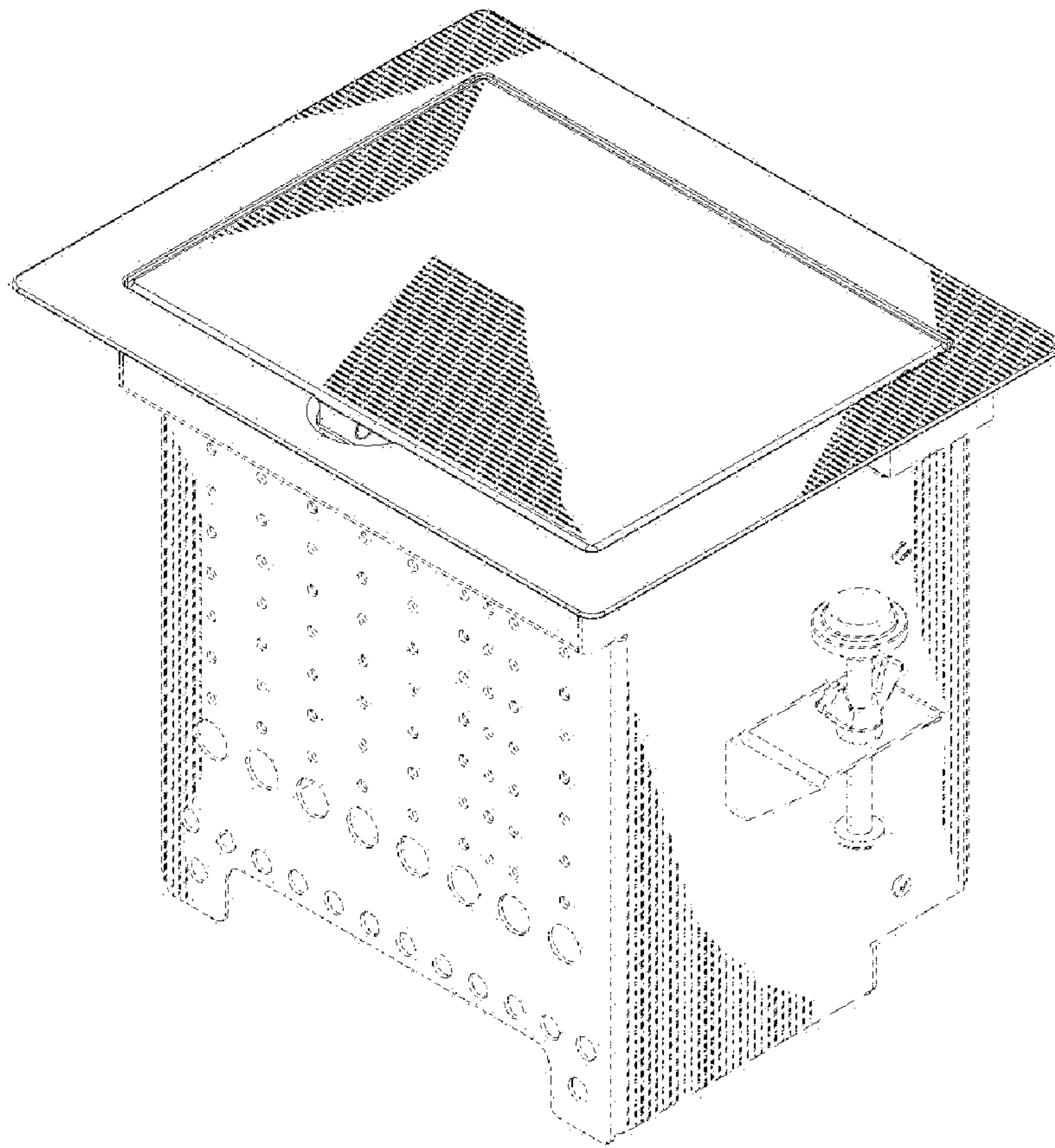


FIG.2



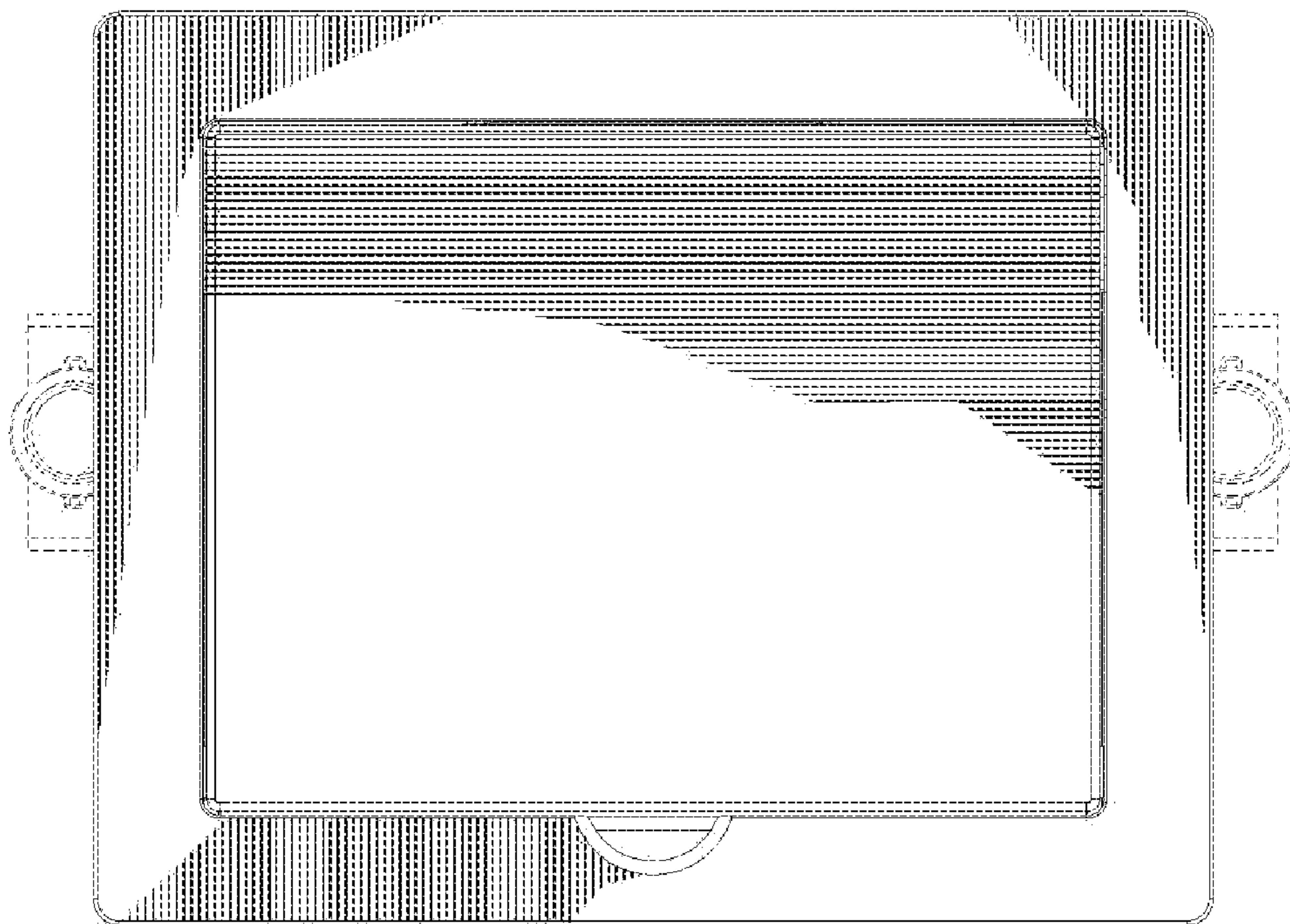


FIG. 3

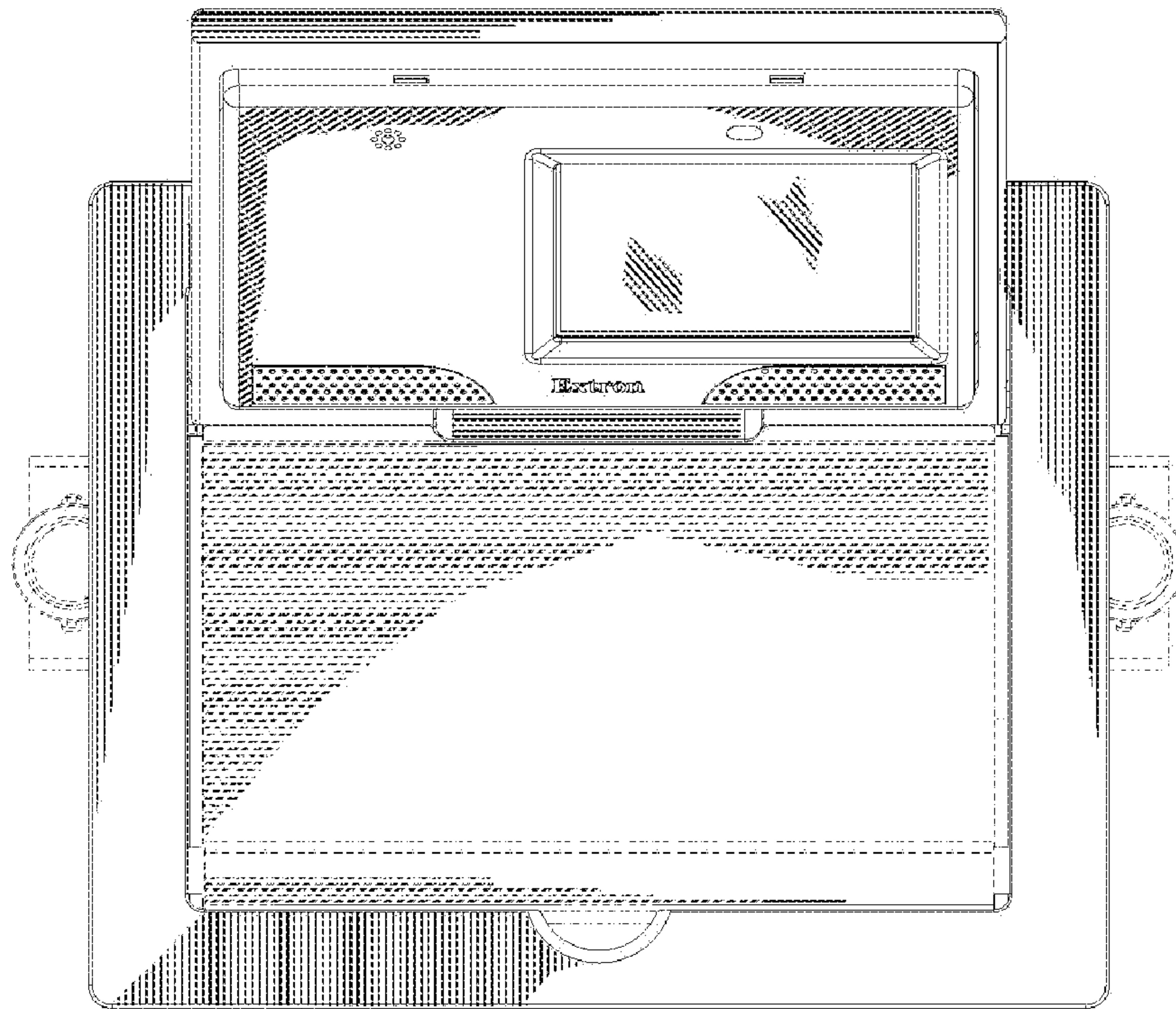


FIG. 4

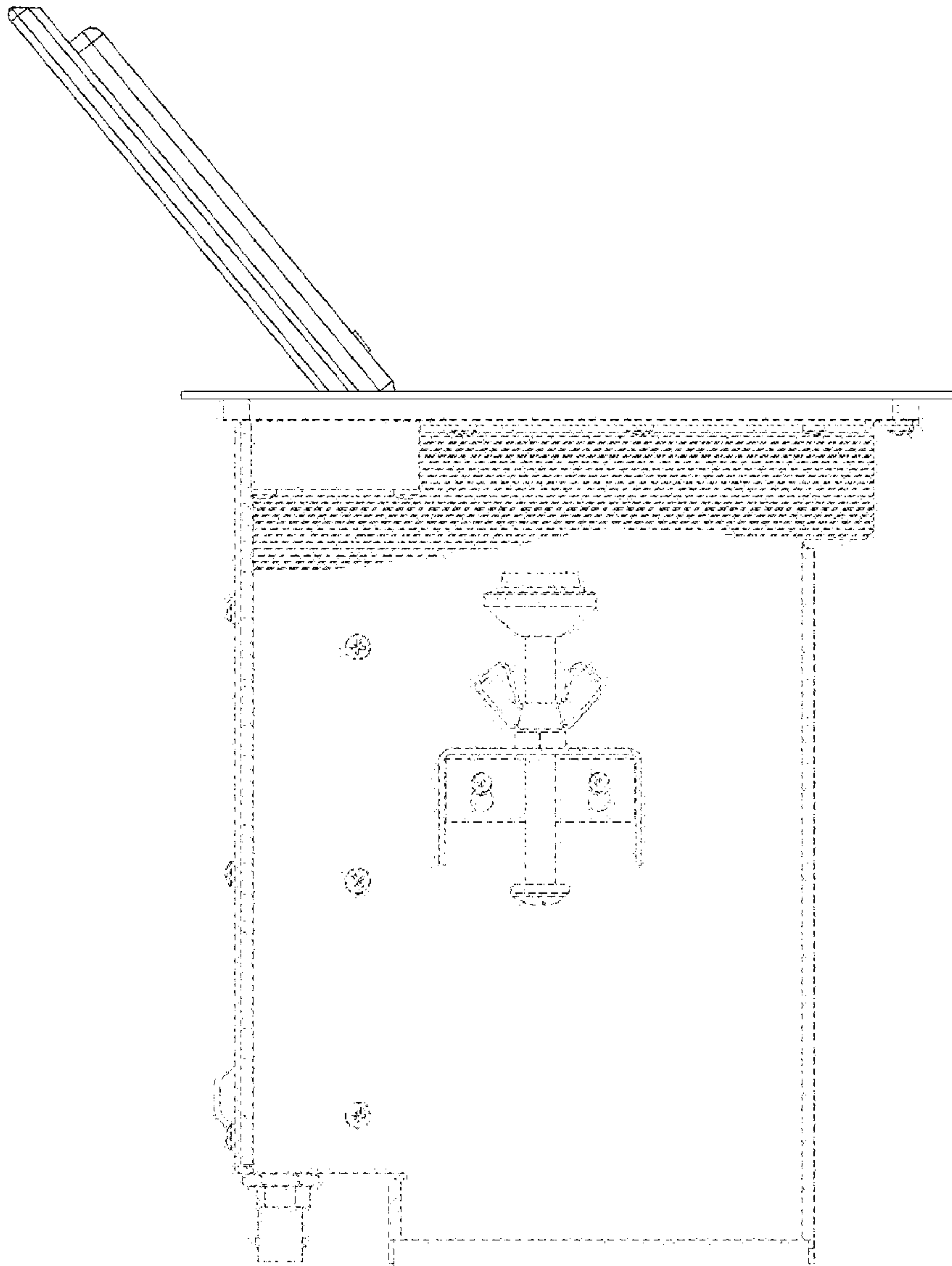


FIG. 5

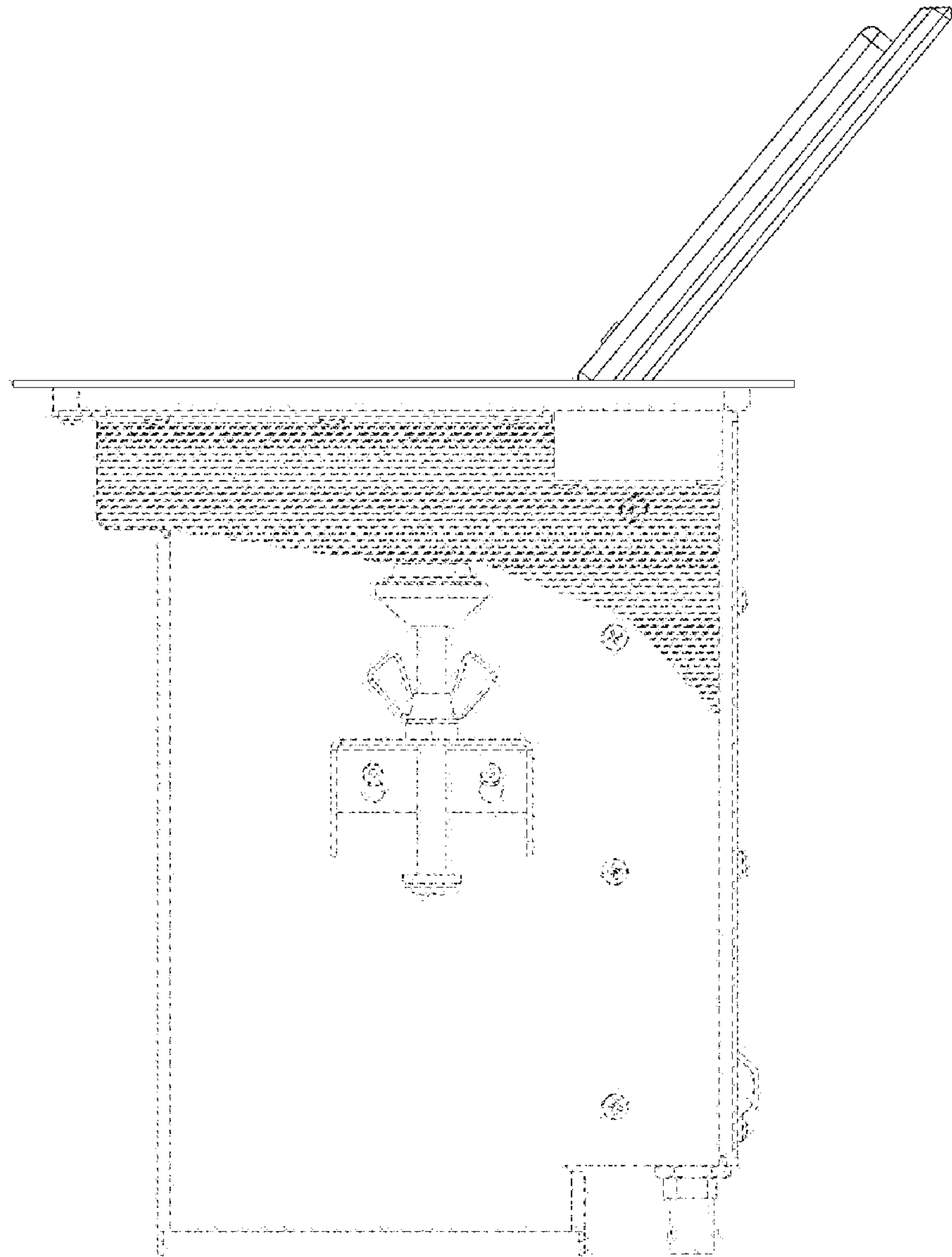


FIG. 6

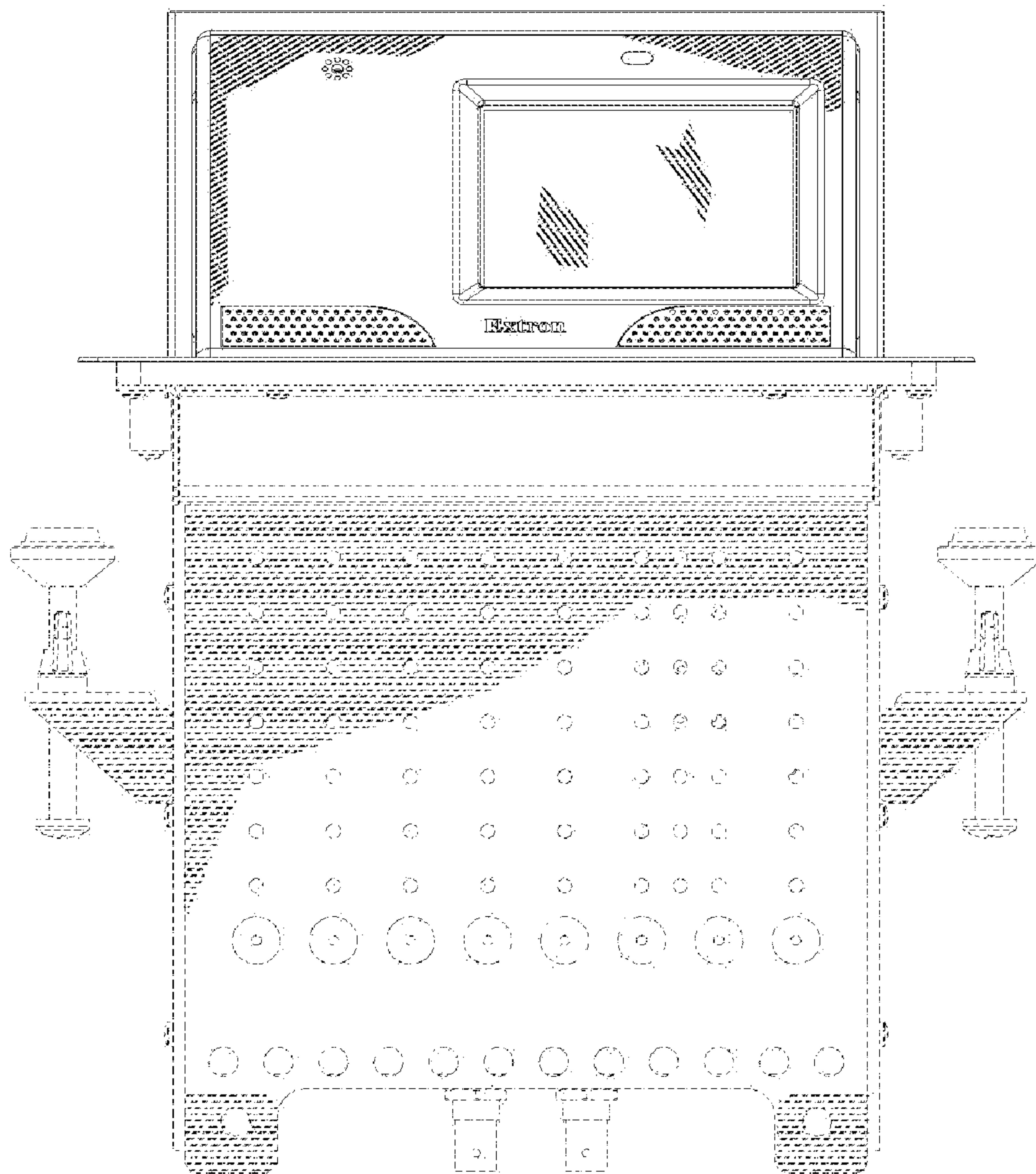


FIG.7



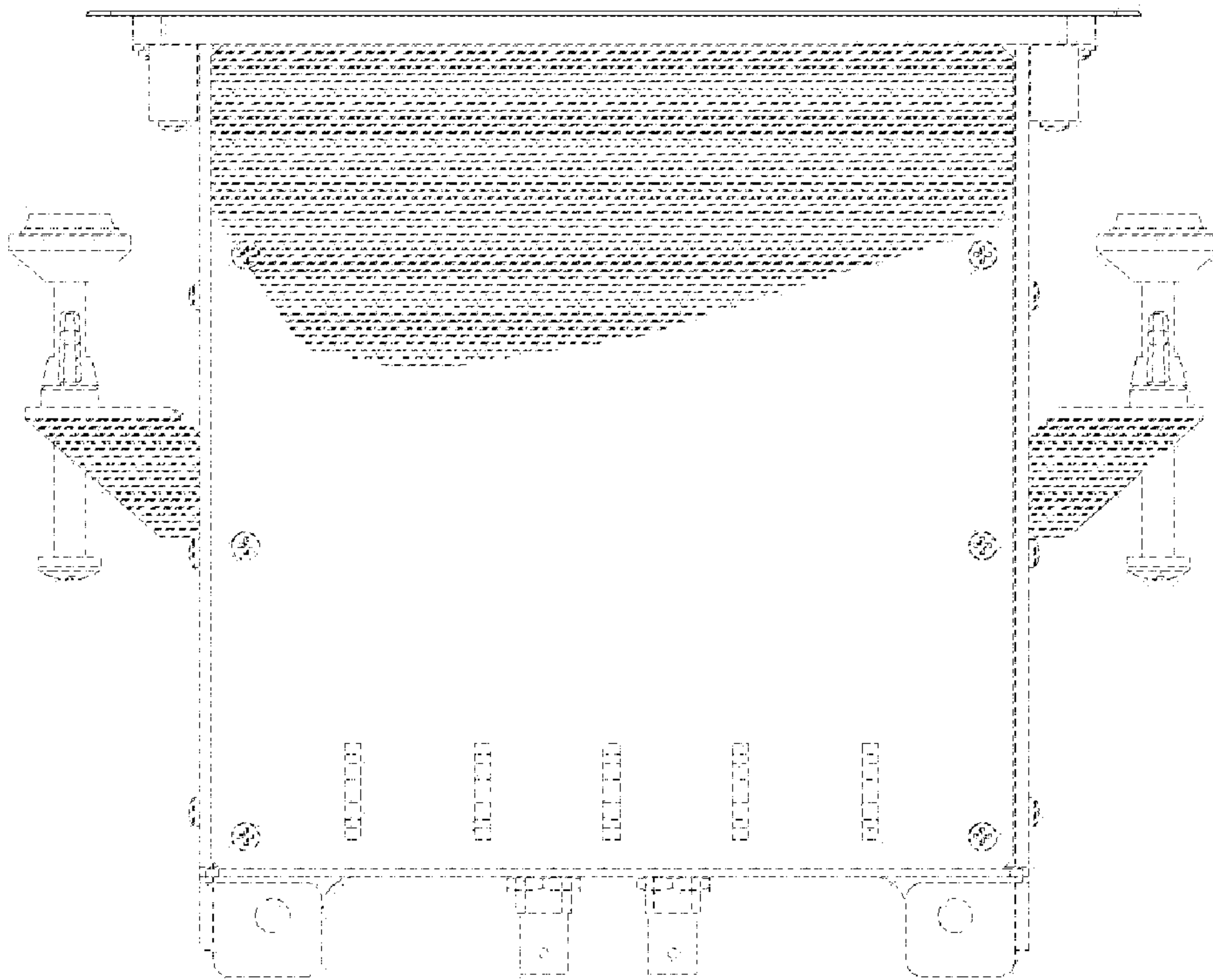


FIG.8

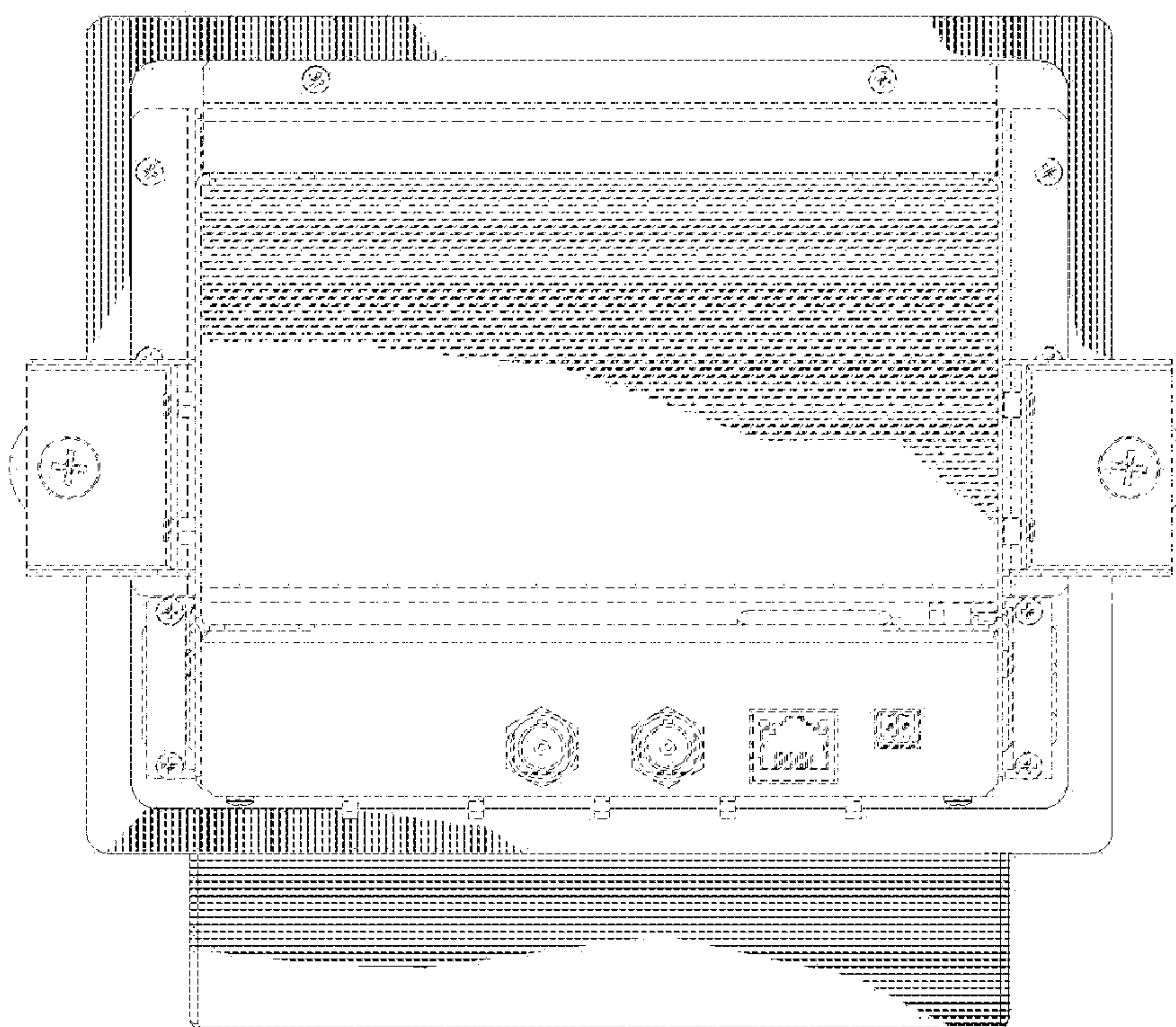


FIG.9