



US00D638313S

(12) **United States Design Patent**
Grove

(10) **Patent No.:** **US D638,313 S**

(45) **Date of Patent:** **** May 24, 2011**

(54) **VOICE-ACTIVATED OUTDOOR ELECTRICAL TIMER**

(76) Inventor: **Connie J. Grove**, Rugby, ND (US)

(**) Term: **14 Years**

(21) Appl. No.: **29/378,657**

(22) Filed: **Nov. 8, 2010**

(51) **LOC (9) Cl.** **10-03**

(52) **U.S. Cl.** **D10/40**

(58) **Field of Classification Search** D10/40,
D10/41, 7, 54; D21/603; D26/26; 368/107-123,
368/285; D13/138.1, 137.1, 137.3, 139.8,
D13/139.6, 162; 307/141, 141.4; 200/38 R,
200/33 R, 38 D, 38 A, 38 F

See application file for complete search history.

(56) **References Cited**

U.S. PATENT DOCUMENTS

D93,663	S	*	10/1934	Kogan	D10/7
D157,580	S	*	3/1950	Frampton	D10/54
D166,766	S	*	5/1952	Melville	D10/54
3,444,685	A	*	5/1969	Georges	368/276
D230,758	S	*	3/1974	Grieder	D21/585
D261,532	S	*	10/1981	Tabata	D19/64
D265,578	S	*	7/1982	Gillespie et al.	D23/215
4,635,286	A		1/1987	Bui et al.		
4,876,676	A		10/1989	Shimizu et al.		
D345,225	S	*	3/1994	Ancona et al.	D26/26
5,602,963	A		2/1997	Bissonnette et al.		
D383,266	S	*	9/1997	Emanoff	D32/37
D391,312	S	*	2/1998	Hamilton	D21/590
D392,348	S	*	3/1998	Khaimov	D21/603
5,761,641	A		6/1998	Rozak et al.		
5,794,205	A		8/1998	Walters et al.		
D418,426	S	*	1/2000	Gruosi	D10/7

6,173,060	B1		1/2001	Huang		
D437,649	S	*	2/2001	Ho	D26/26
6,310,833	B1		10/2001	Guyett et al.		
D452,844	S	*	1/2002	Yu	D13/137.2
6,665,639	B2		12/2003	Mozer et al.		
D513,999	S	*	1/2006	Echito et al.	D10/40
D567,119	S	*	4/2008	Ni et al.	D10/40
D582,794	S	*	12/2008	Stekelenburg	D10/40
D590,729	S	*	4/2009	Bialek-Wester	D10/40
2005/0041534	A1	*	2/2005	McCarthy	368/109

* cited by examiner

Primary Examiner — Lucy Lieberman

(74) *Attorney, Agent, or Firm* — Montgomery Patent and Design; Robert C. Montgomery; Joseph T. Yaksich

(57) **CLAIM**

The ornamental design for a voice-activated outdoor electrical timer, as shown and described.

DESCRIPTION

FIG. 1 is an oblique side perspective view of a voice-activated outdoor electrical timer, showing my new design;

FIG. 2 is a oblique front perspective view of the voice-activated outdoor electrical timer depicted with an access panel in an open state;

FIG. 3 is a front view of the voice-activated outdoor electrical timer;

FIG. 4 is a rear view thereof;

FIG. 5 is a left side view thereof;

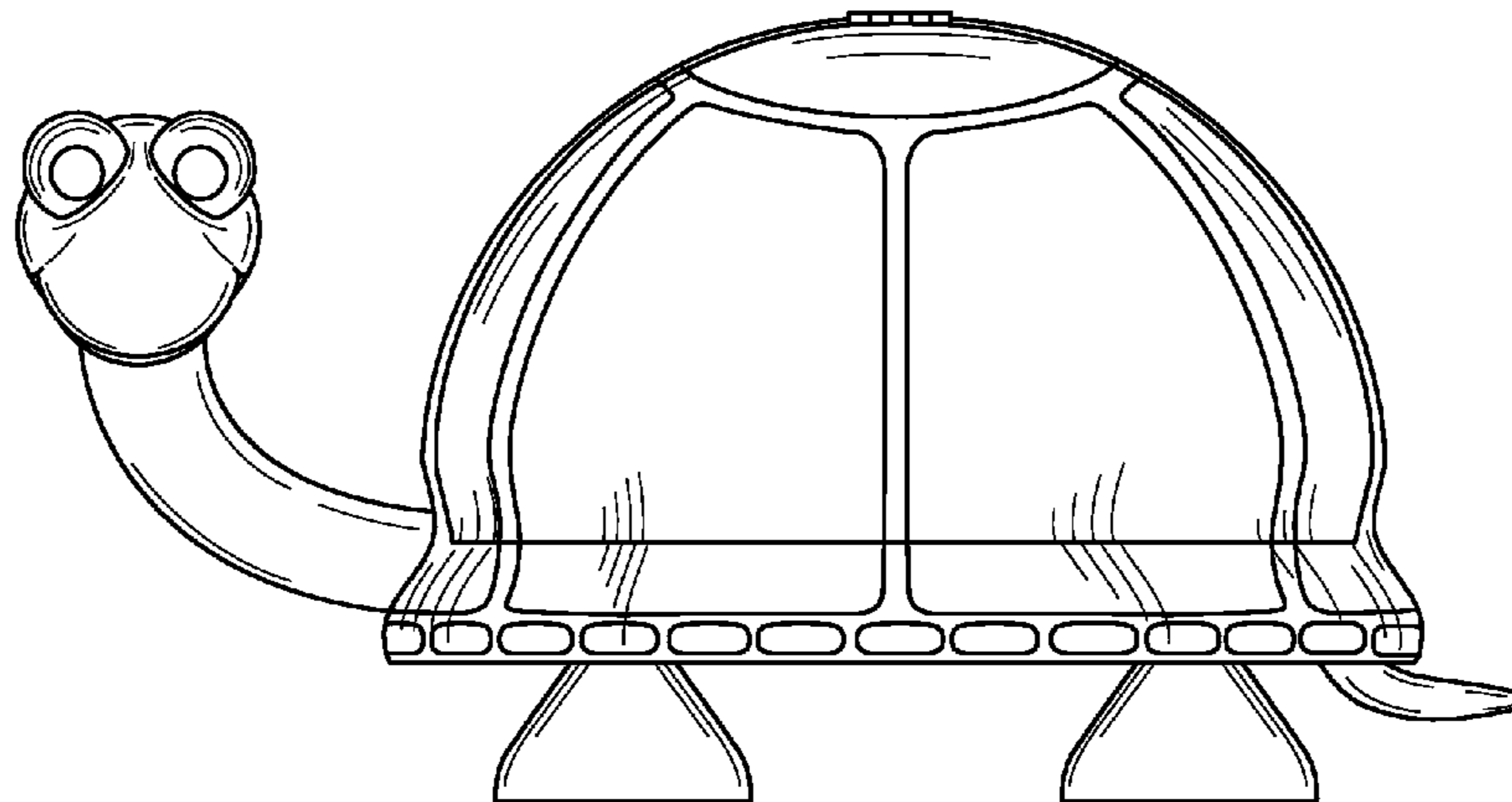
FIG. 6 is a right side view thereof;

FIG. 7 is a top view thereof; and,

FIG. 8 is a bottom view thereof.

The broken line showing of a user interface for timer functions shown in FIG. 2 is for the purpose of illustrating environment and forms no part of the claimed design.

1 Claim, 8 Drawing Sheets



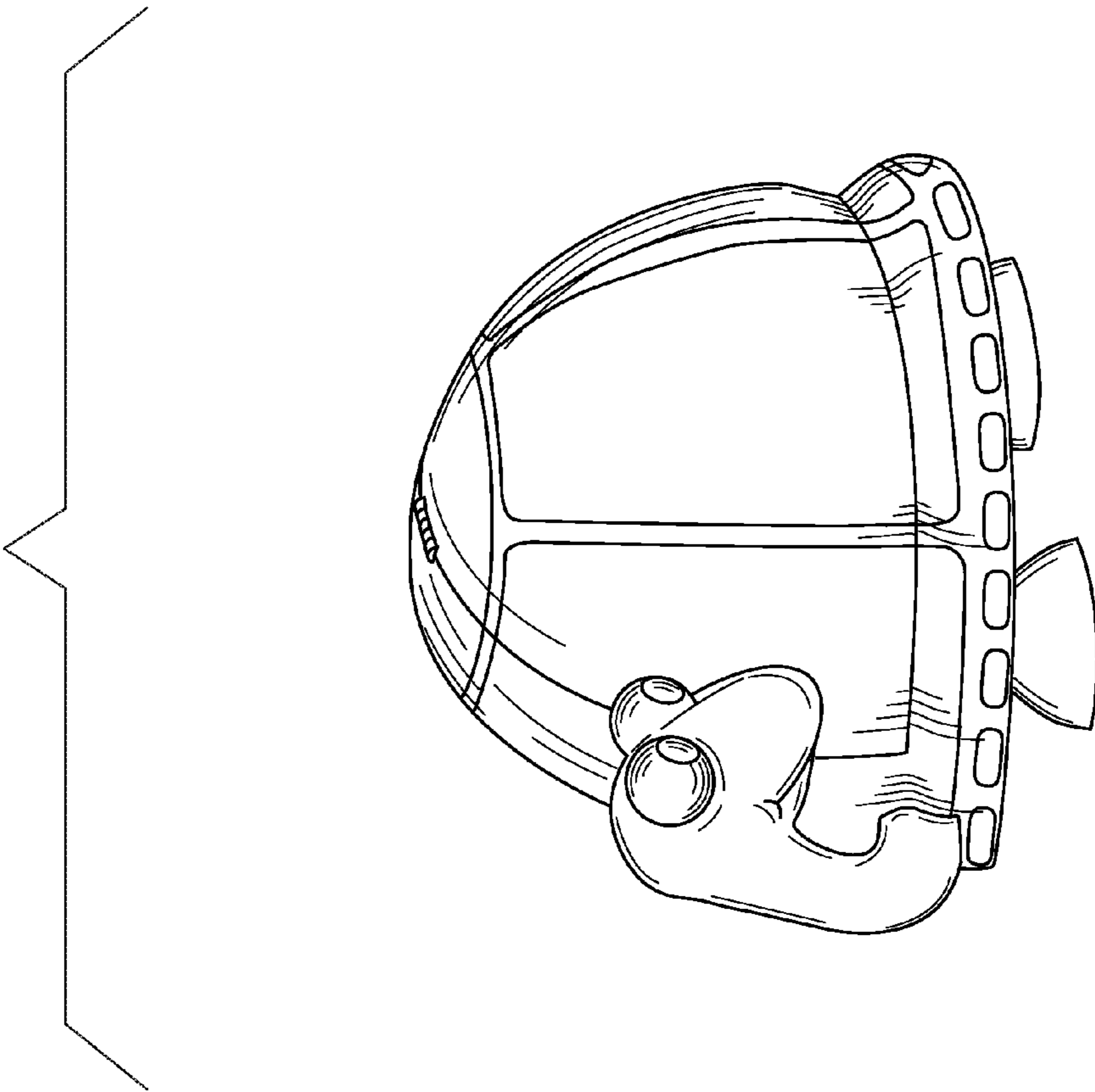


Fig. 1

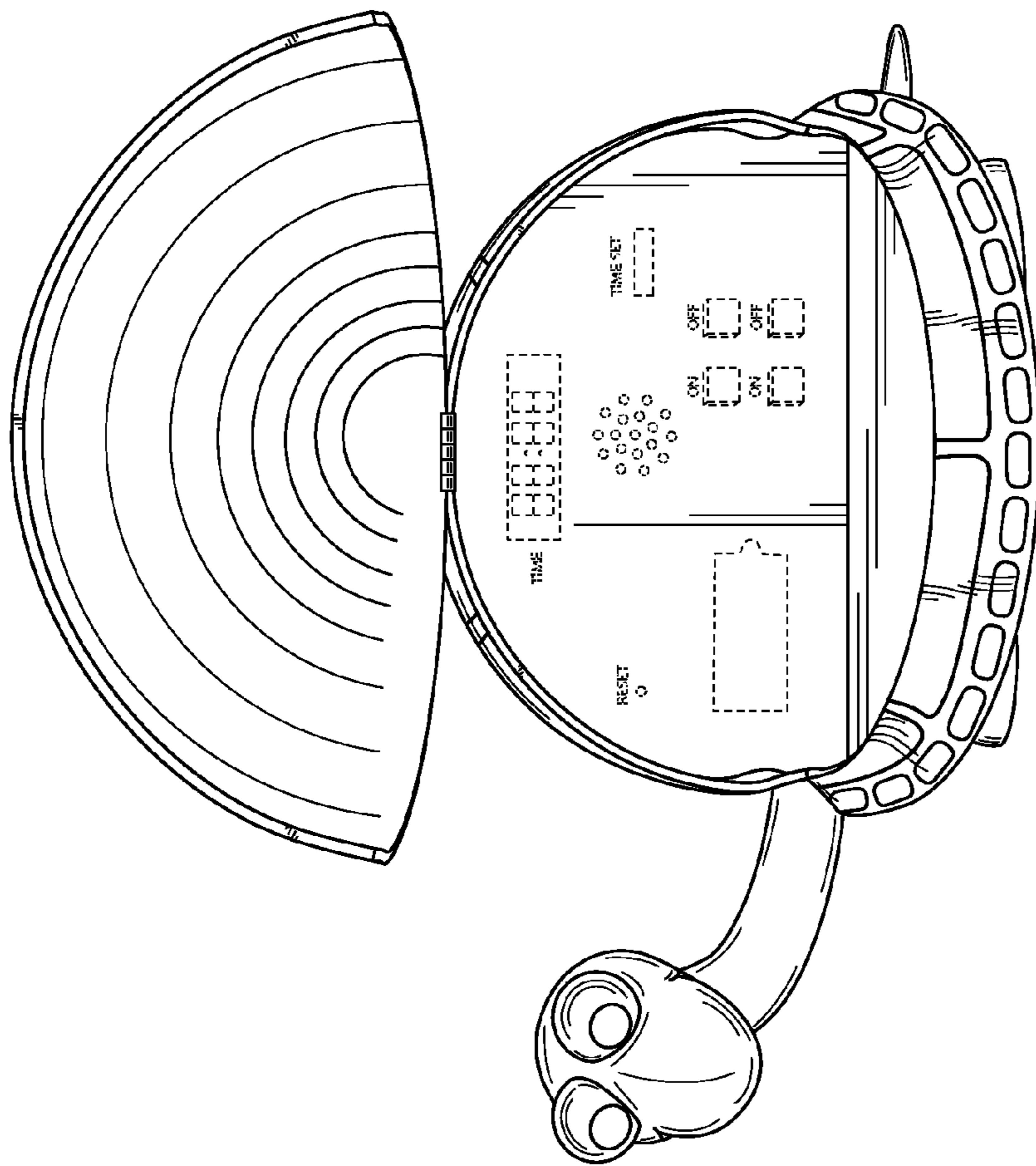


Fig. 2

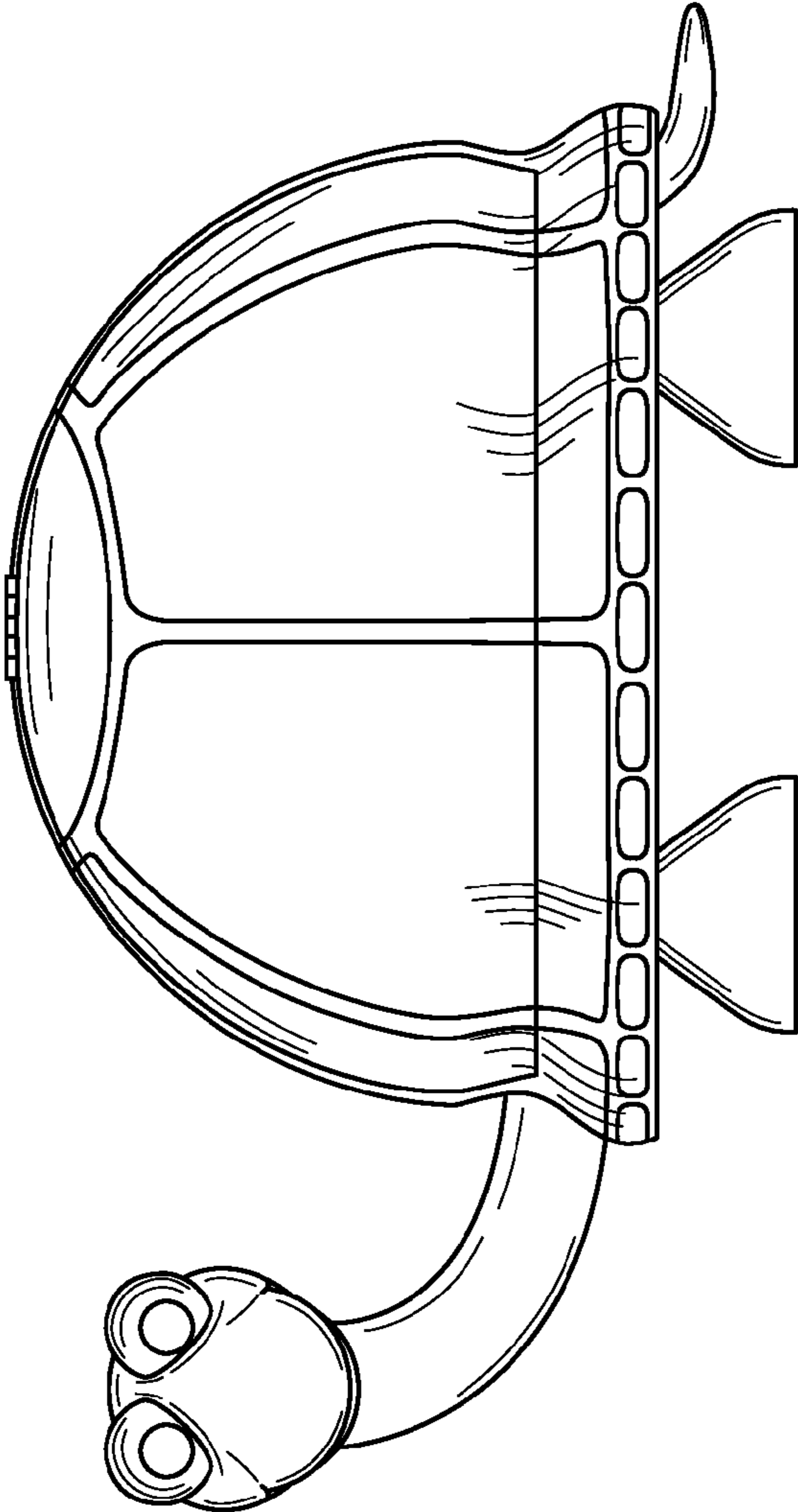


Fig. 3

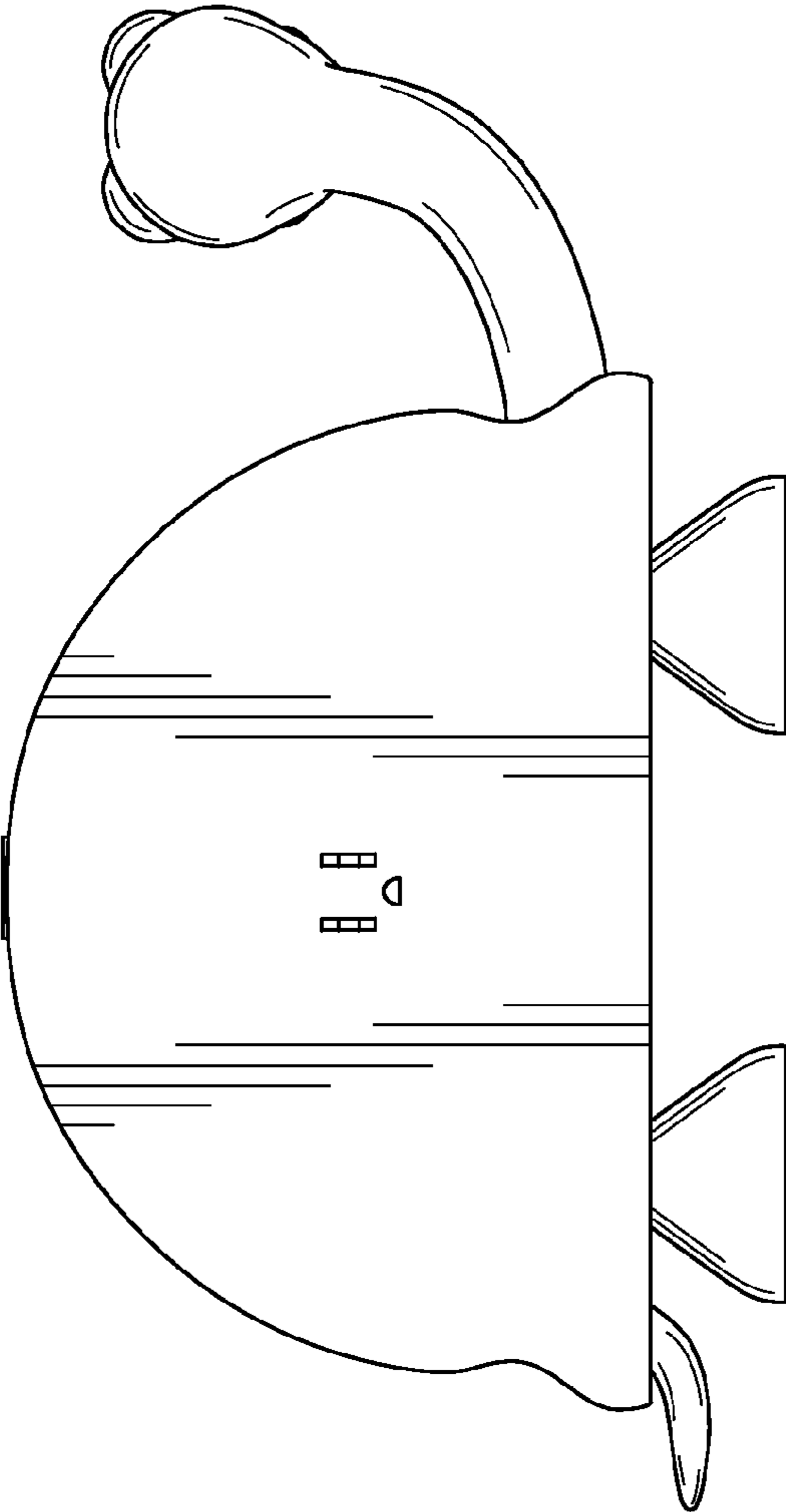


Fig. 4

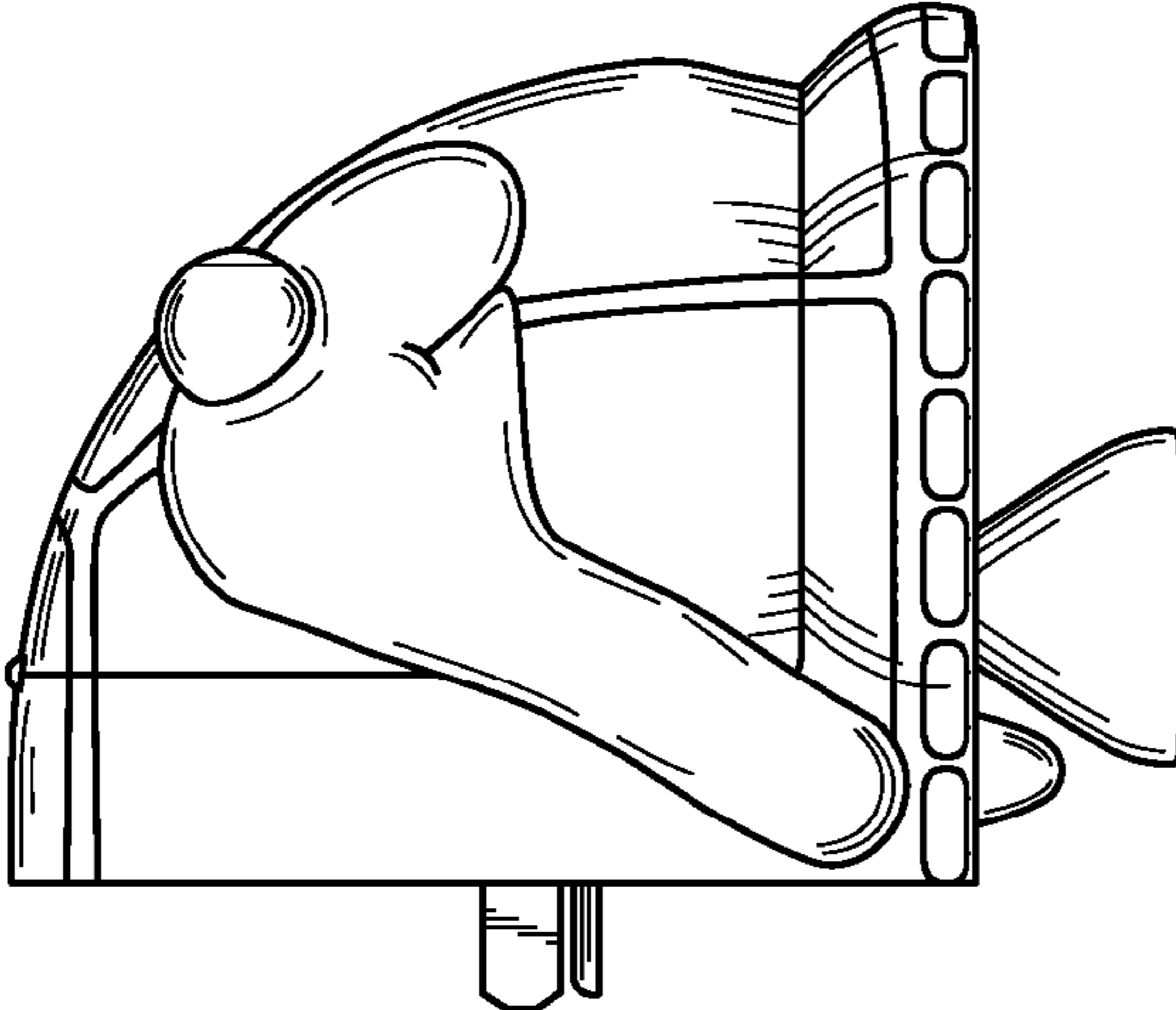


Fig. 5

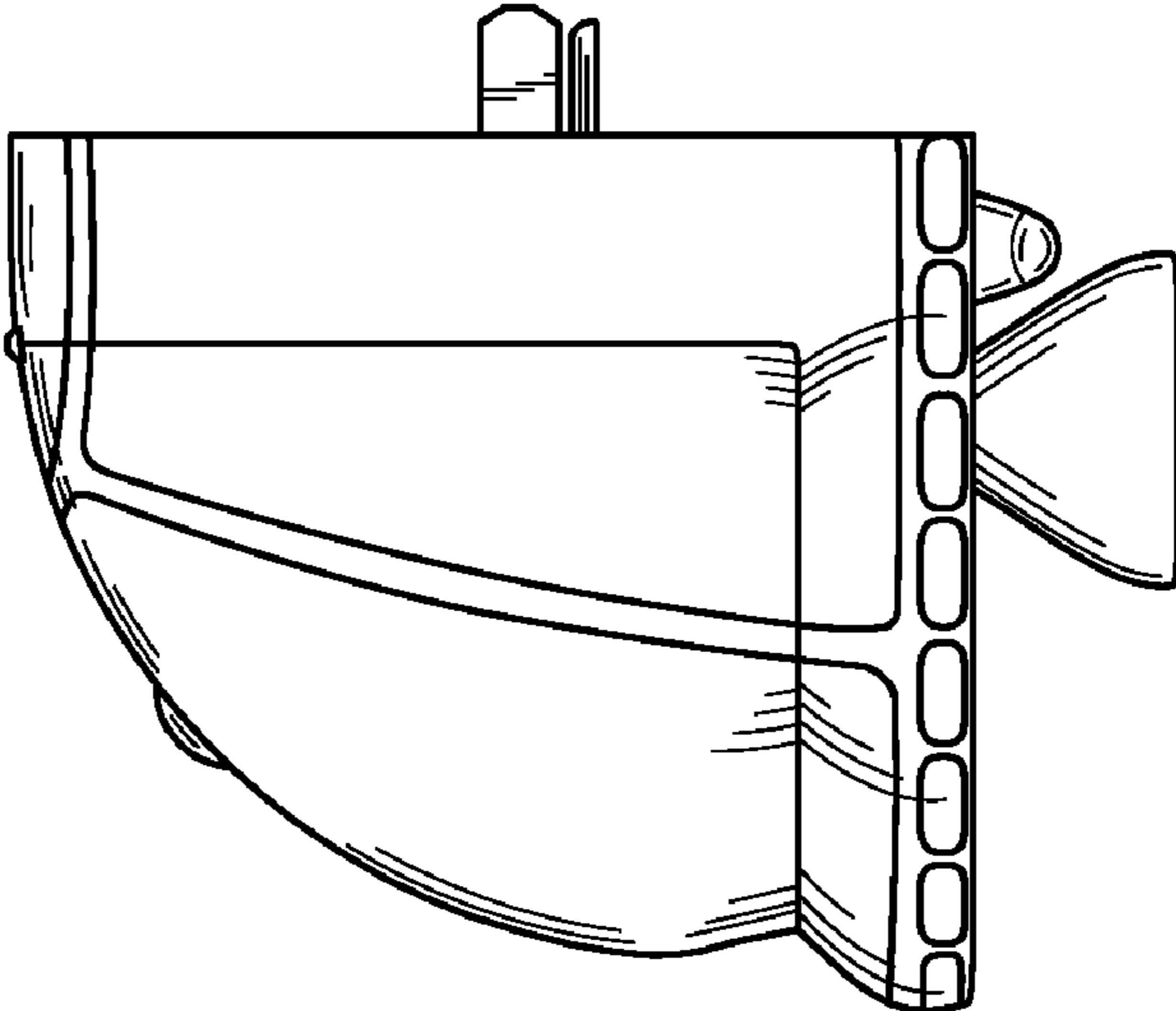


Fig. 6

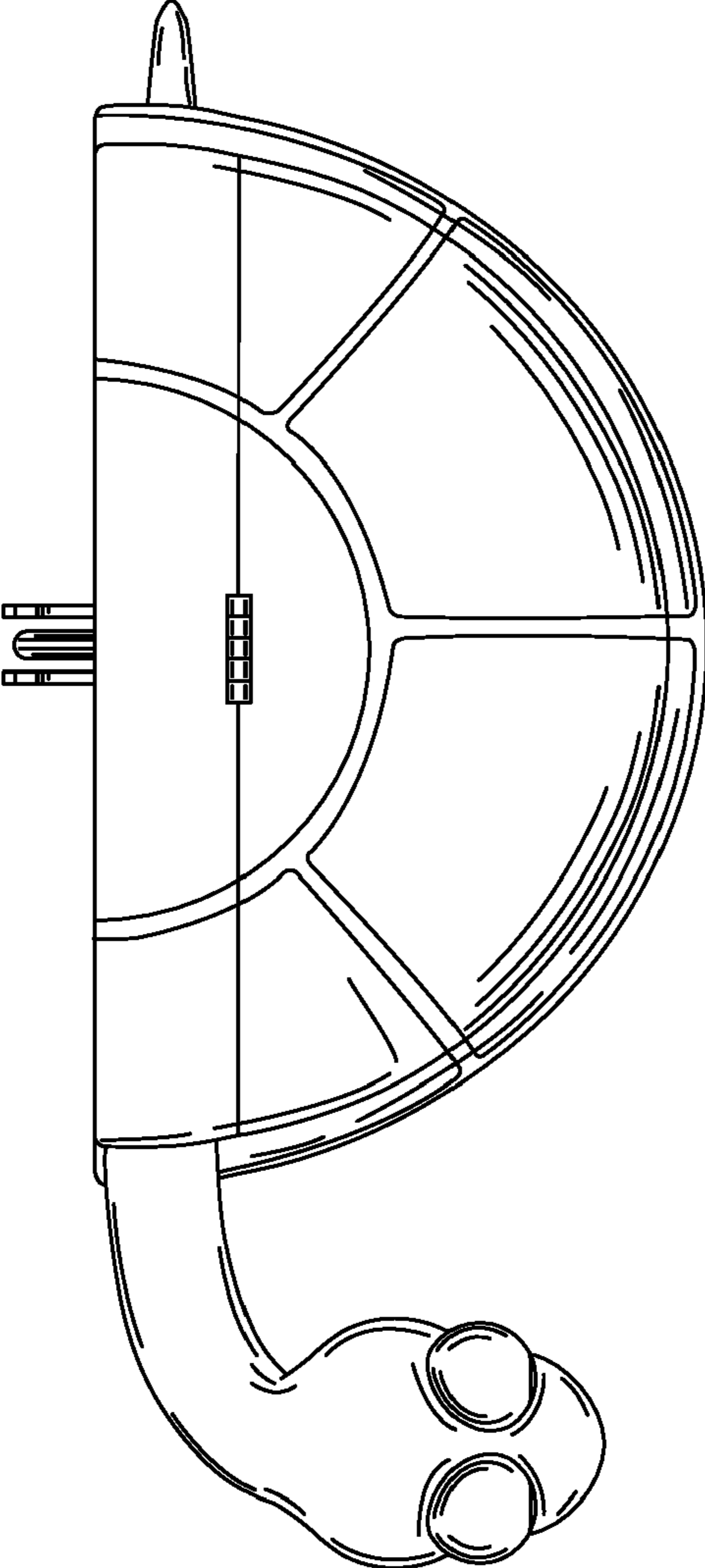


Fig. 7

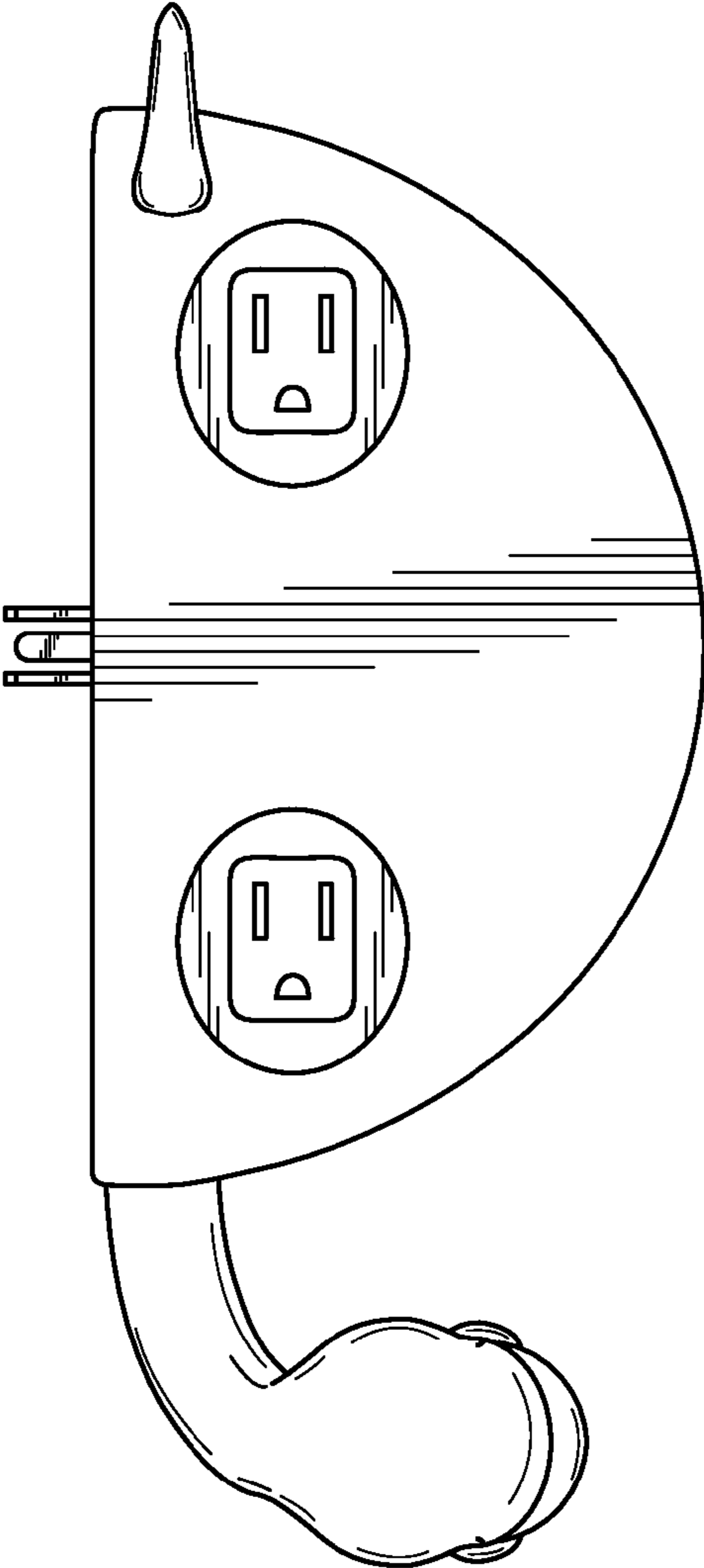


Fig. 8