



US00D638310S

(12) **United States Design Patent**  
**Kennedy**

(10) **Patent No.:** **US D638,310 S**

(45) **Date of Patent:** **\*\* May 24, 2011**

(54) **CARTON FOR HOLDING BEVERAGE OR OTHER CONTAINERS**

(76) Inventor: **Timothy B. Kennedy**, Mt. Pleasant, SC (US)

(\*\*) Term: **14 Years**

(21) Appl. No.: **29/370,581**

(22) Filed: **Aug. 6, 2010**

(51) **LOC (9) Cl.** ..... **09-03**

(52) **U.S. Cl.** ..... **D9/751; D9/421**

(58) **Field of Classification Search** ..... D9/414-433, D9/457, 701, 737, 751, 730; 206/199, 428, 206/461, 471, 495, 806; 229/122, 125, 11, 229/131.1, 117.16, 242

See application file for complete search history.

(56) **References Cited**

**U.S. PATENT DOCUMENTS**

2,180,151	A *	11/1939	Koeller	132/287
3,040,954	A *	6/1962	Salmon	229/108
D332,915	S *	2/1993	Hoell et al.	D9/754
D373,306	S *	9/1996	Baxter	D9/754
5,676,274	A *	10/1997	Green et al.	220/520
D474,686	S *	5/2003	Woog	D7/605
D531,026	S *	10/2006	McMorris	D9/754
D561,609	S *	2/2008	McMorris	D9/739
D563,219	S *	3/2008	Okin et al.	D9/423
D568,732	S *	5/2008	Kovac	D9/418
D570,682	S *	6/2008	Erden	D9/430

\* cited by examiner

*Primary Examiner* — Mark A Goodwin

(74) *Attorney, Agent, or Firm* — Harleston Law Firm, LLC; Kathleen M. Harleston

(57) **CLAIM**

The ornamental design for a carton for holding beverage or other containers, as shown and described.

**DESCRIPTION**

FIG. 1 is a perspective view of a carton for holding beverage or other containers, showing my new design in condition of

use, with a first side compartment cover shown in an open position and an opposite, second side compartment cover shown in a closed position;

FIG. 2 is a perspective view of the carton for holding beverage or other containers thereof;

FIG. 3 is a top plan view of the carton for holding beverage or other containers thereof;

FIG. 4 is a first side elevation view of the carton for holding beverage or other containers thereof;

FIG. 5 is a left end elevation view of the carton for holding beverage or other containers thereof;

FIG. 6 is a right end elevation view of the carton for holding beverage or other containers thereof;

FIG. 7 is a bottom plan view of the carton for holding beverage or other containers thereof;

FIG. 8 is a second side elevation view of the carton for holding beverage or other containers thereof;

FIG. 9 is a second side perspective view of the carton for holding beverage or other containers thereof, shown with the first side compartment cover in a closed position and the opposite, second side compartment cover in an open position;

FIG. 10 is a top plan view of the carton for holding beverage or other containers depicted in FIG. 9;

FIG. 11 is a second side elevation view of the carton for holding beverage or other containers depicted in FIG. 9;

FIG. 12 is a right end elevation view of the carton for holding beverage or other containers depicted in FIG. 9;

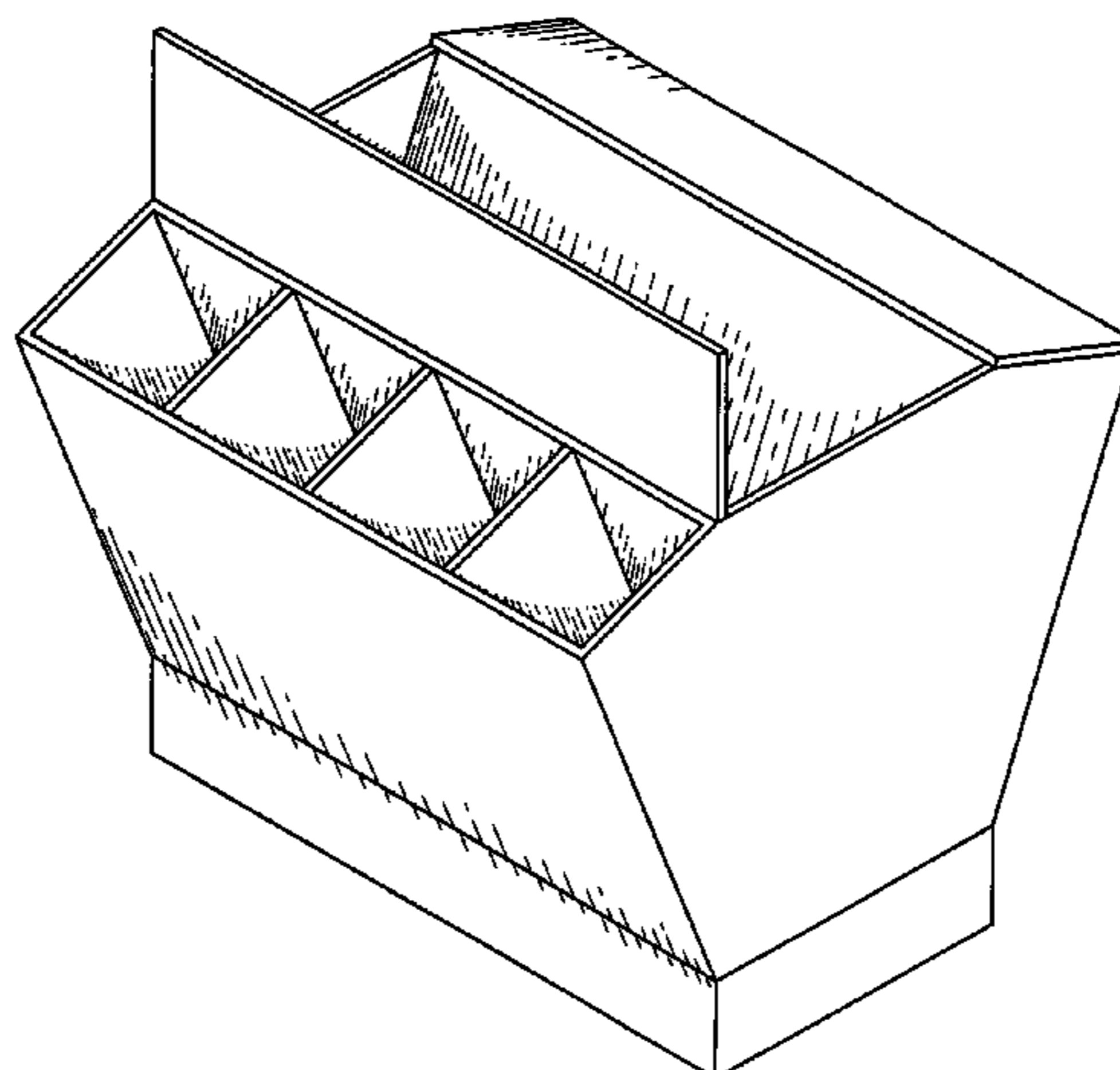
FIG. 13 is a left end elevation view of the carton for holding beverage or other containers depicted in FIG. 9;

FIG. 14 is a bottom plan view of the carton for holding beverage or other containers depicted in FIG. 9; and,

FIG. 15 is a first side elevation view of the carton for holding beverage or other containers depicted in FIG. 9.

The broken line showing of a central compartment lid and four beverage bottles in FIG. 1 is for illustrative purposes only and forms no part of the claimed design or of a specified embodiment thereof.

**1 Claim, 9 Drawing Sheets**



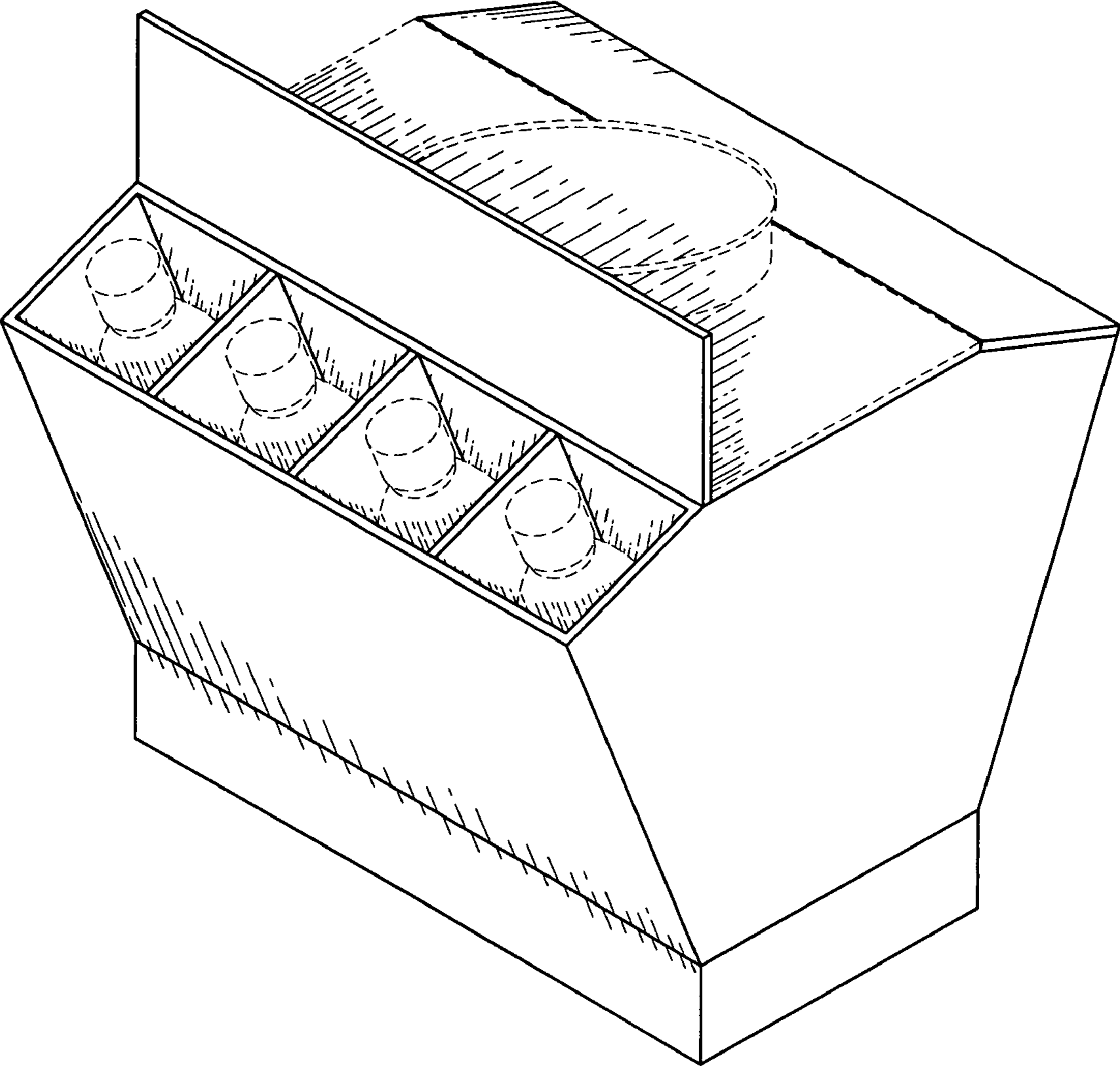


FIG. 1

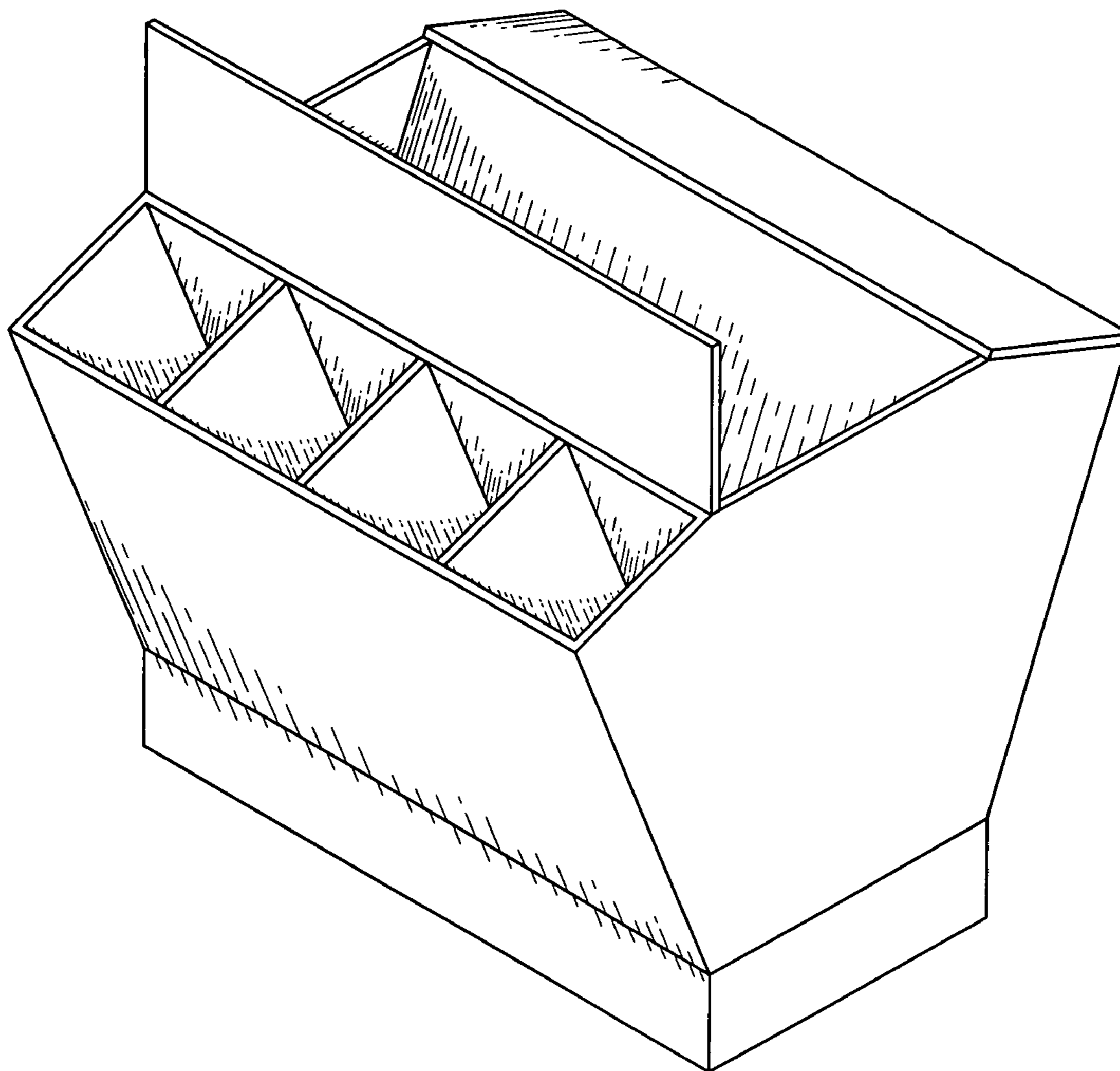


FIG. 2

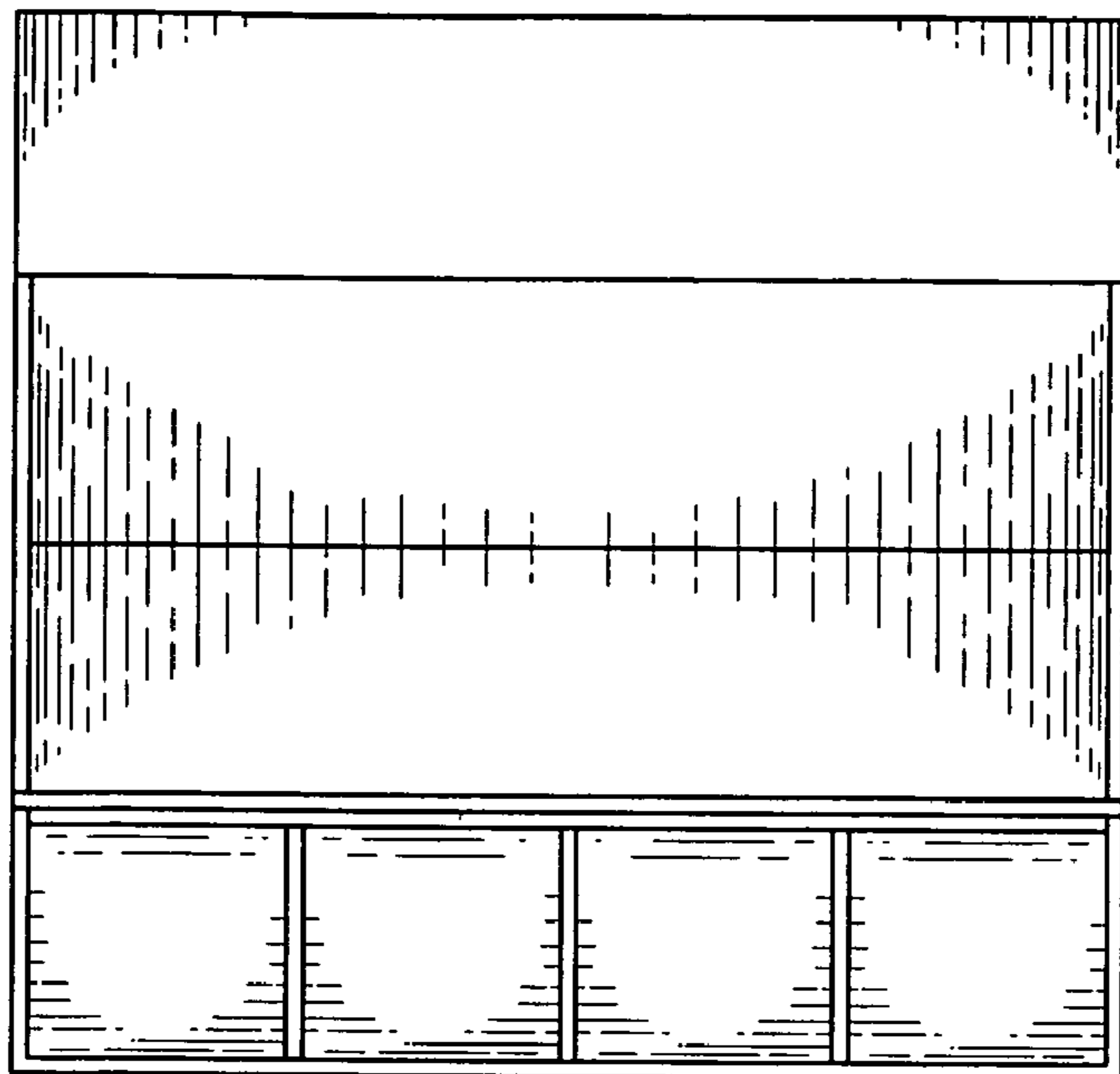


FIG. 3

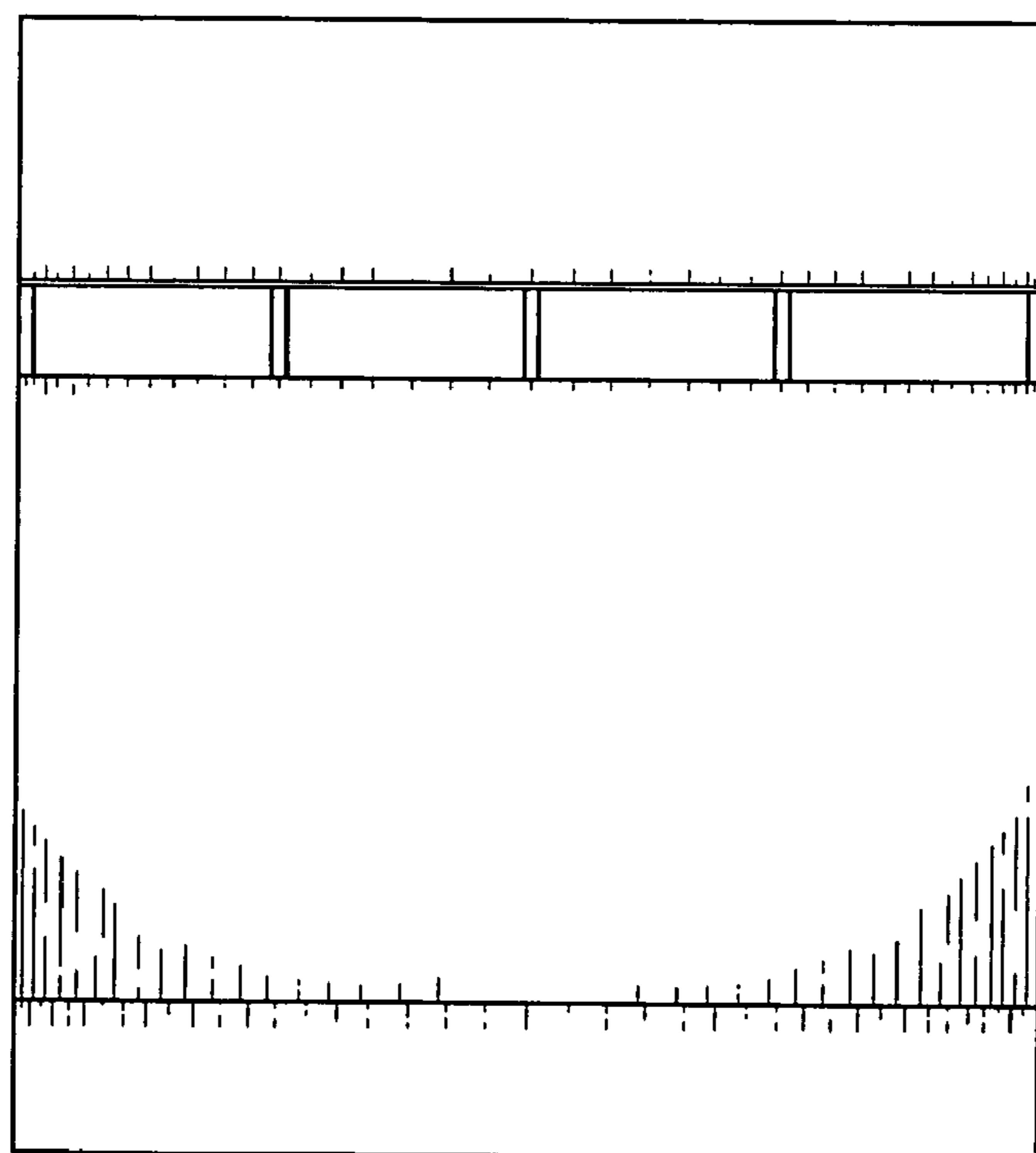


FIG. 4

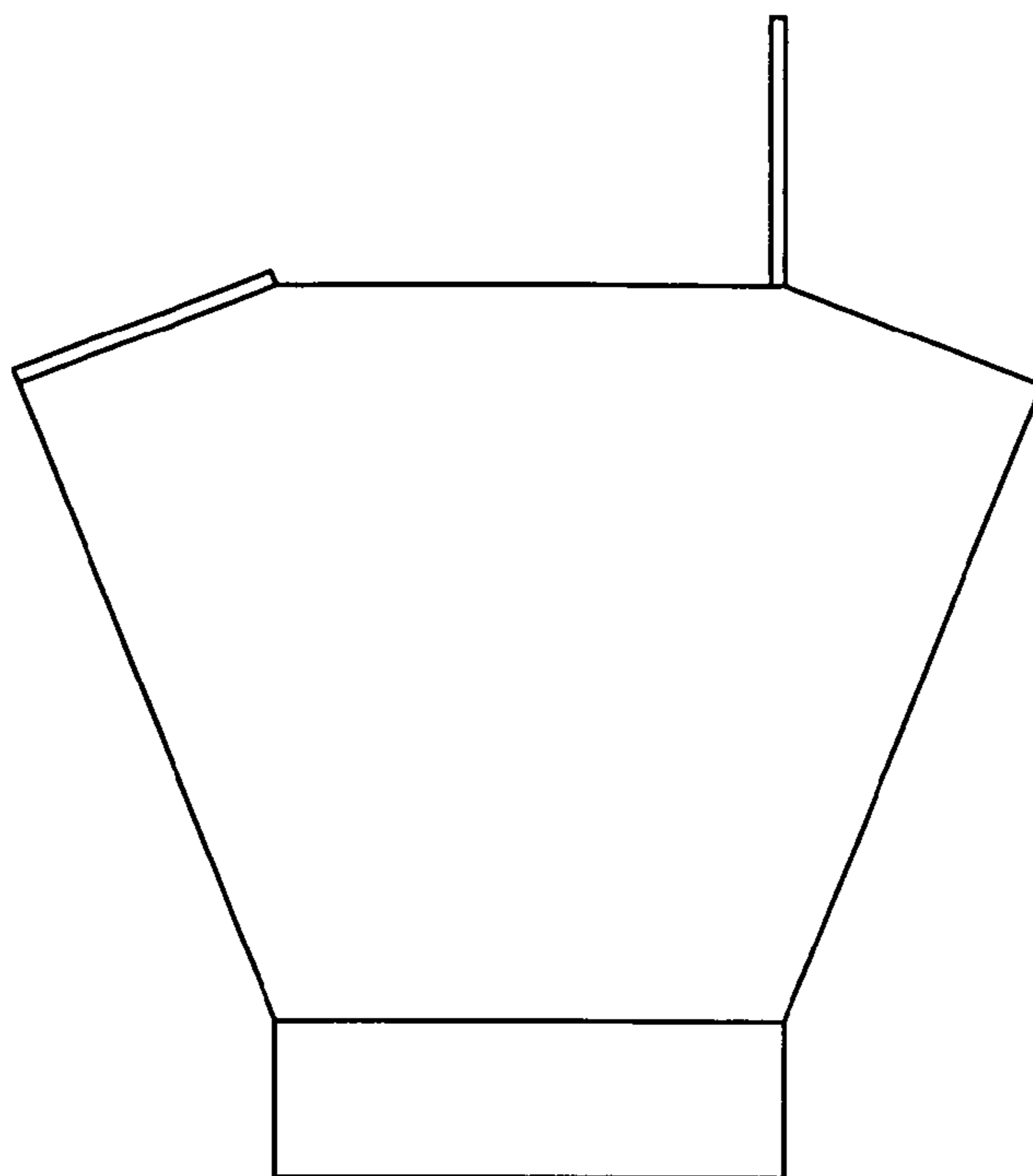


FIG. 5

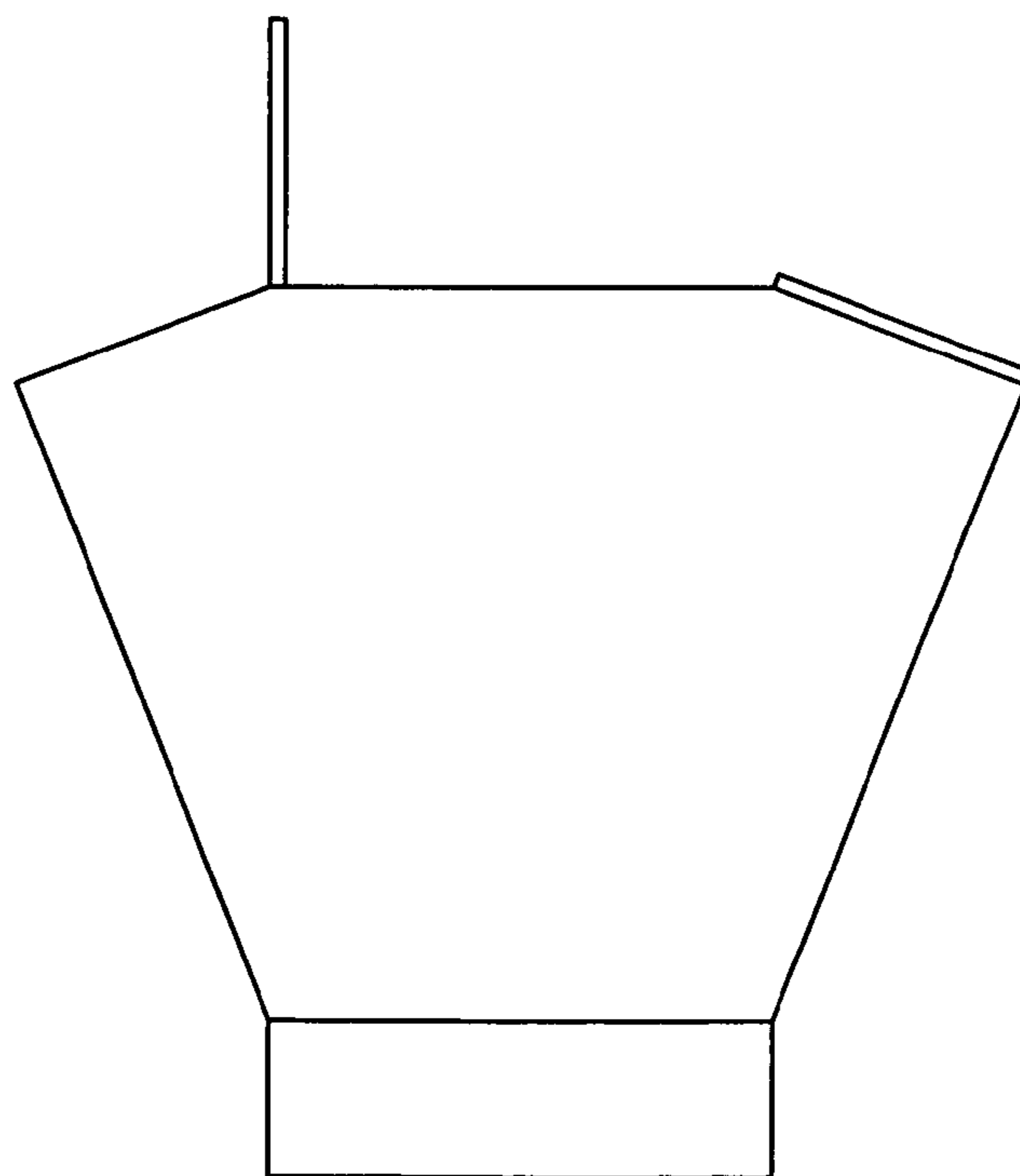


FIG. 6

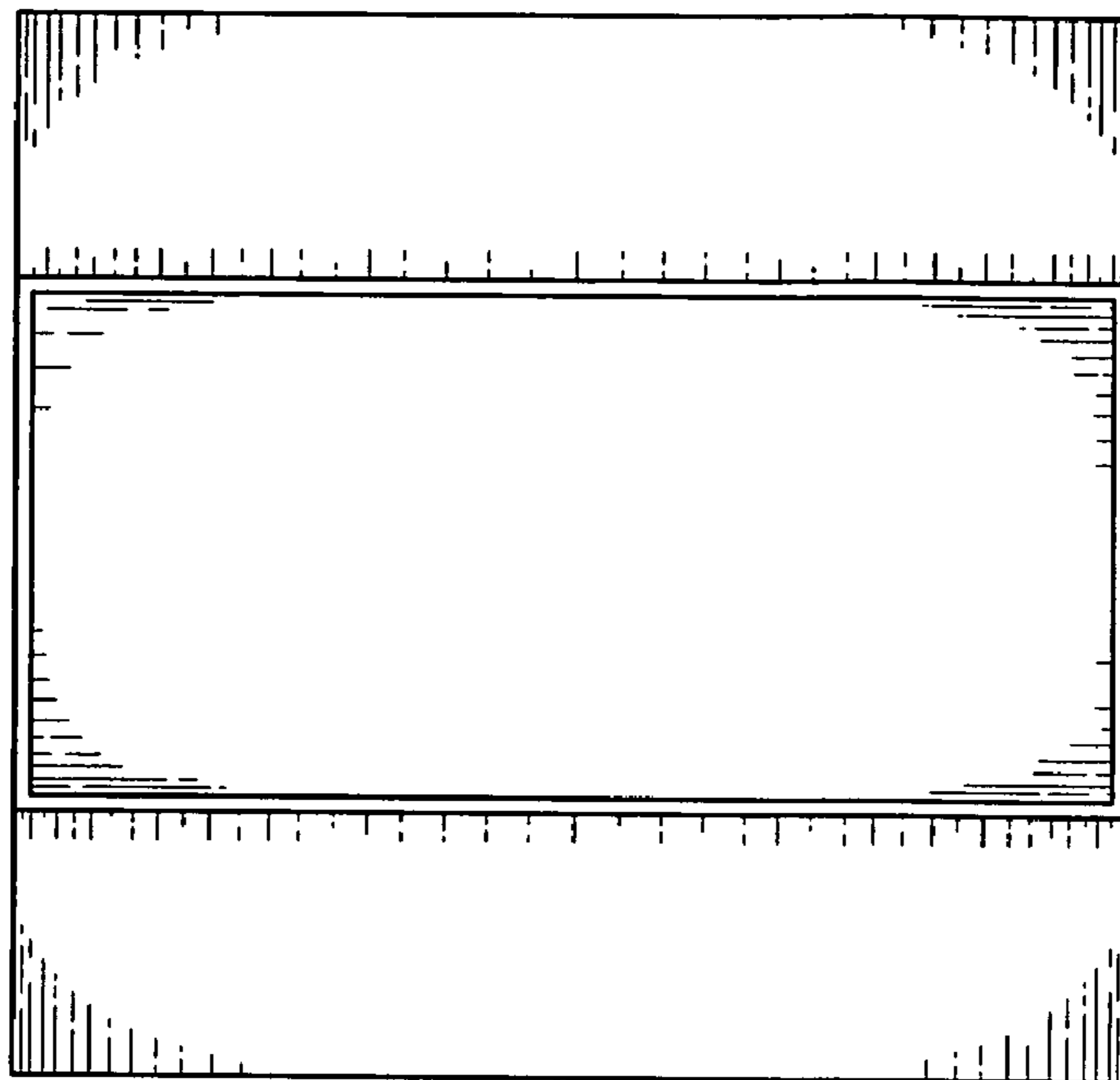


FIG. 7

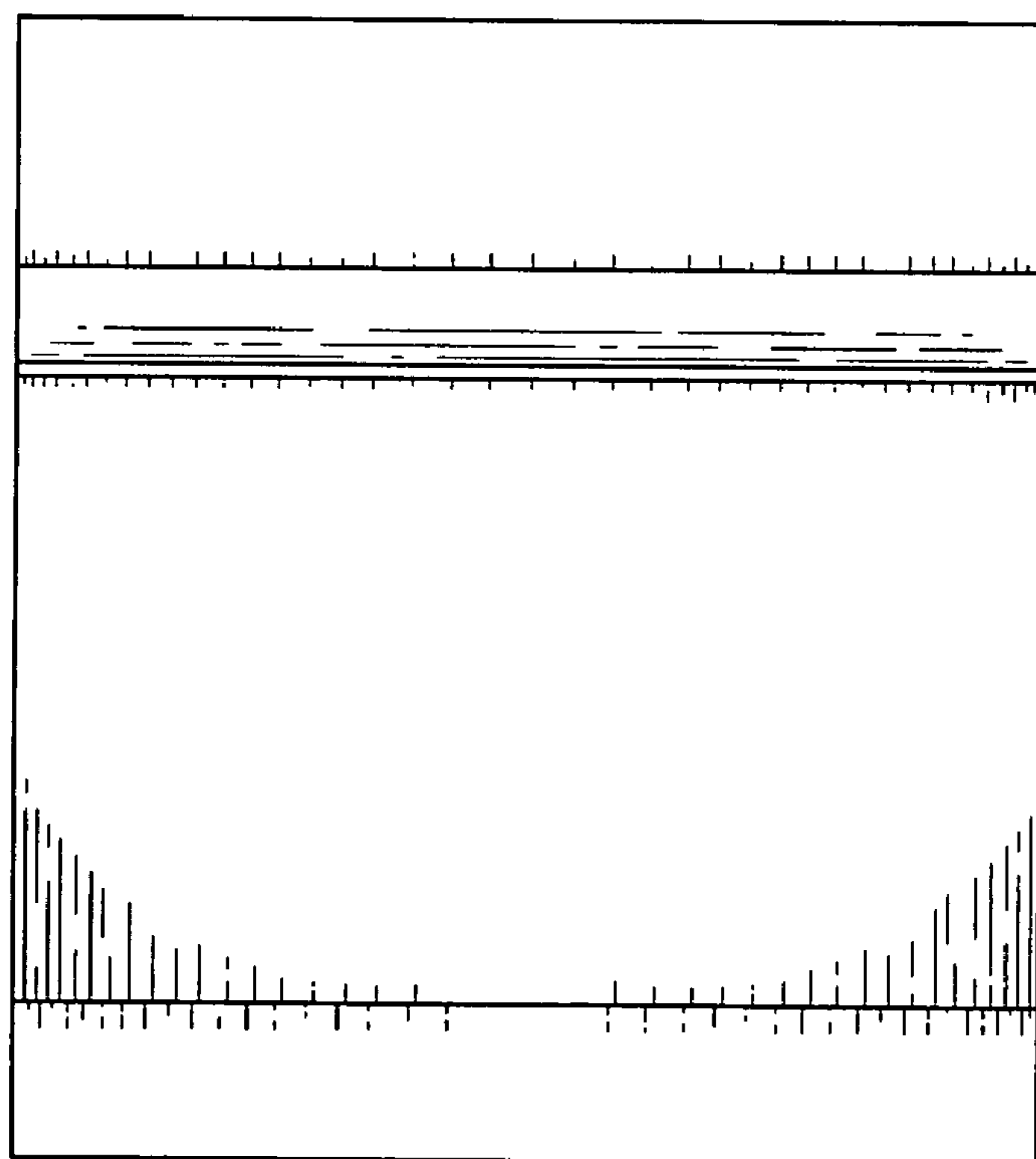


FIG. 8

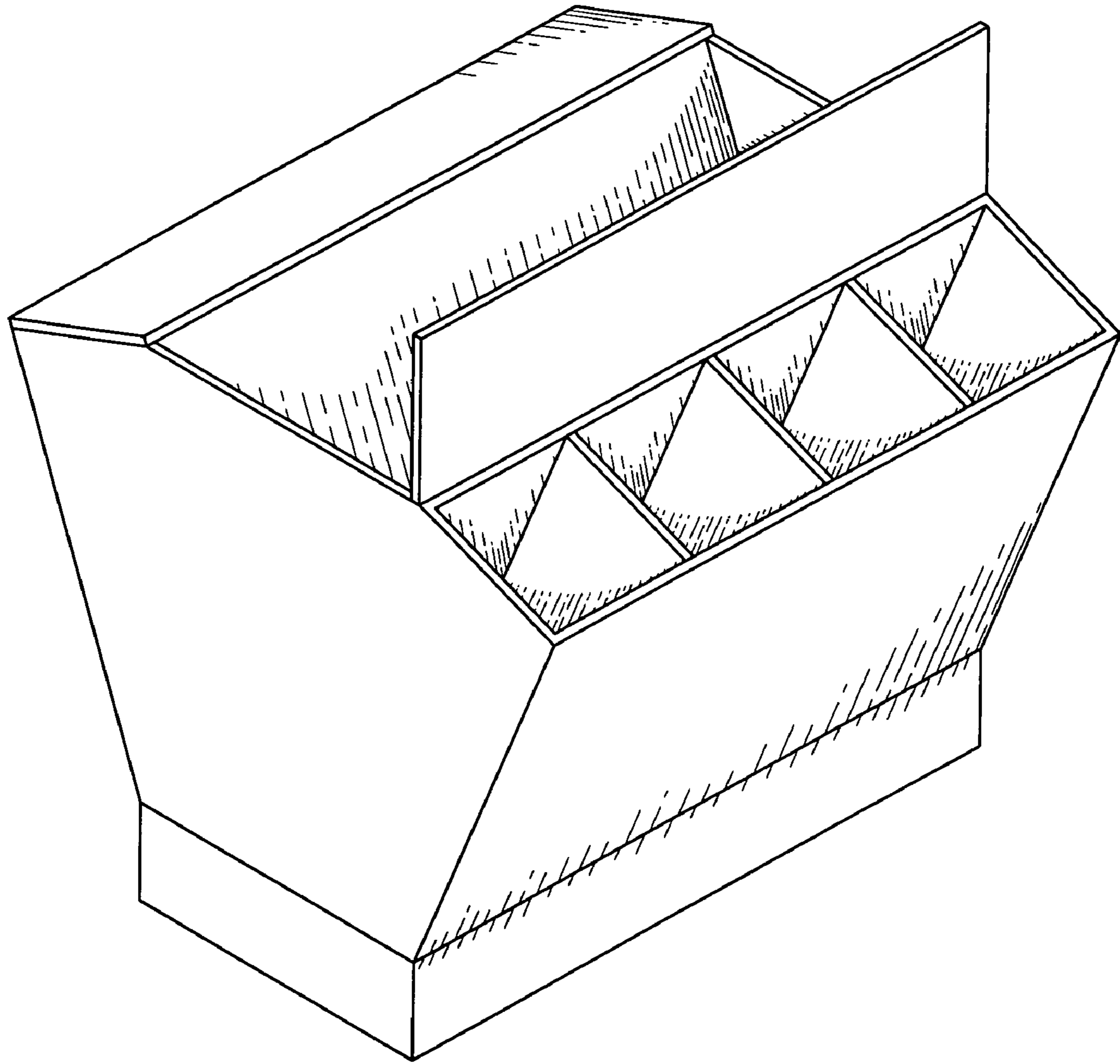


FIG. 9

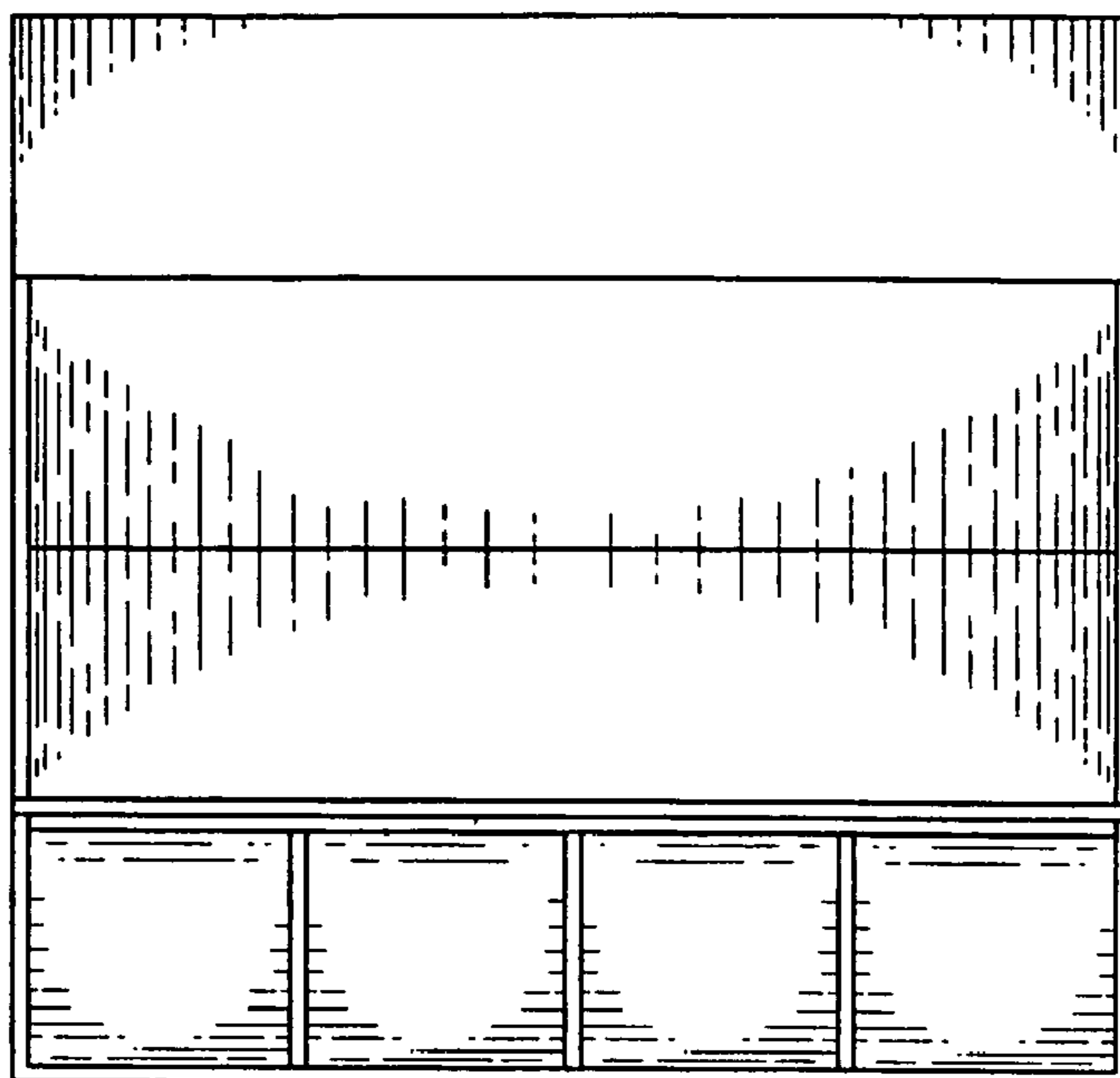


FIG. 10

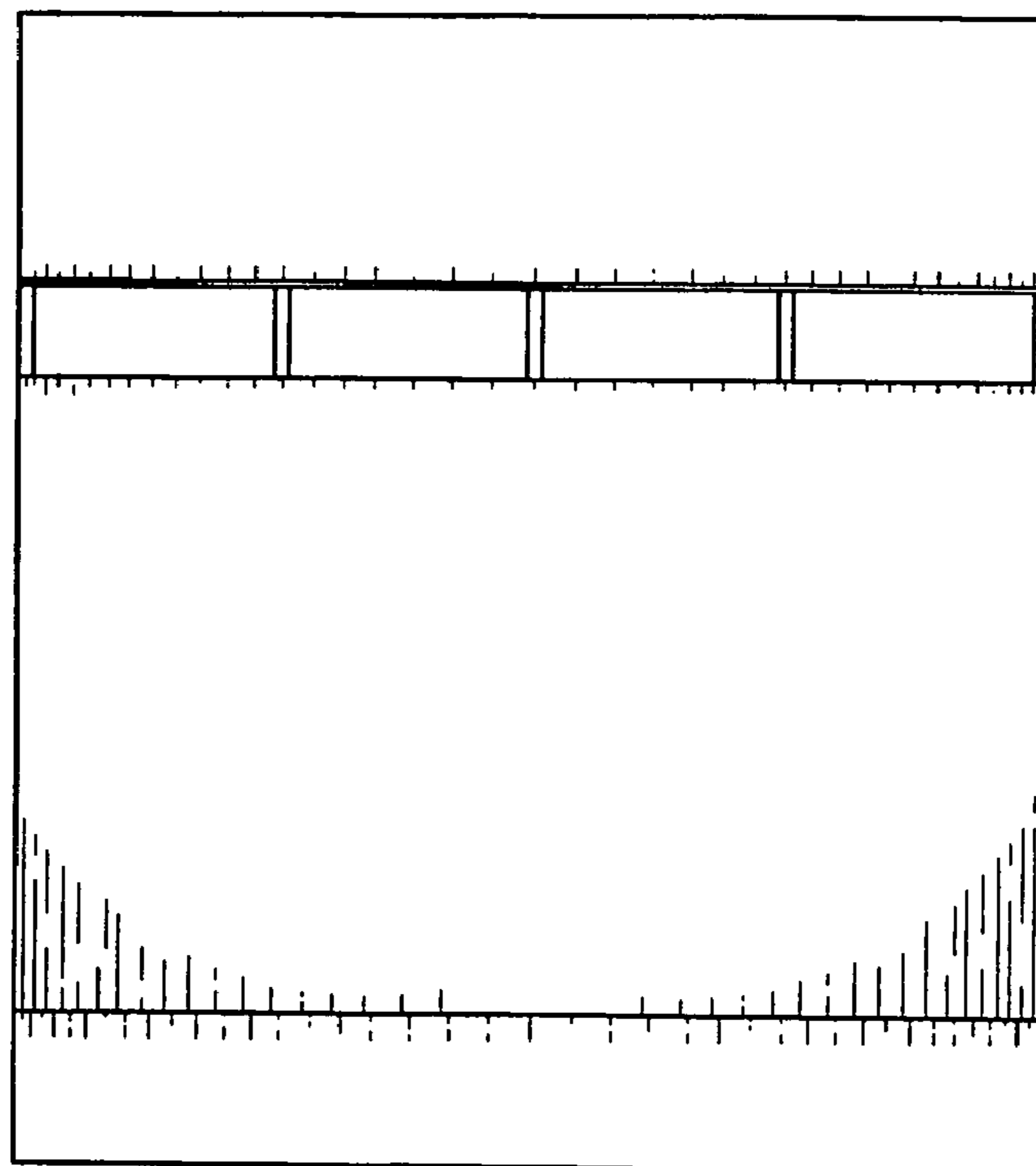


FIG. 11



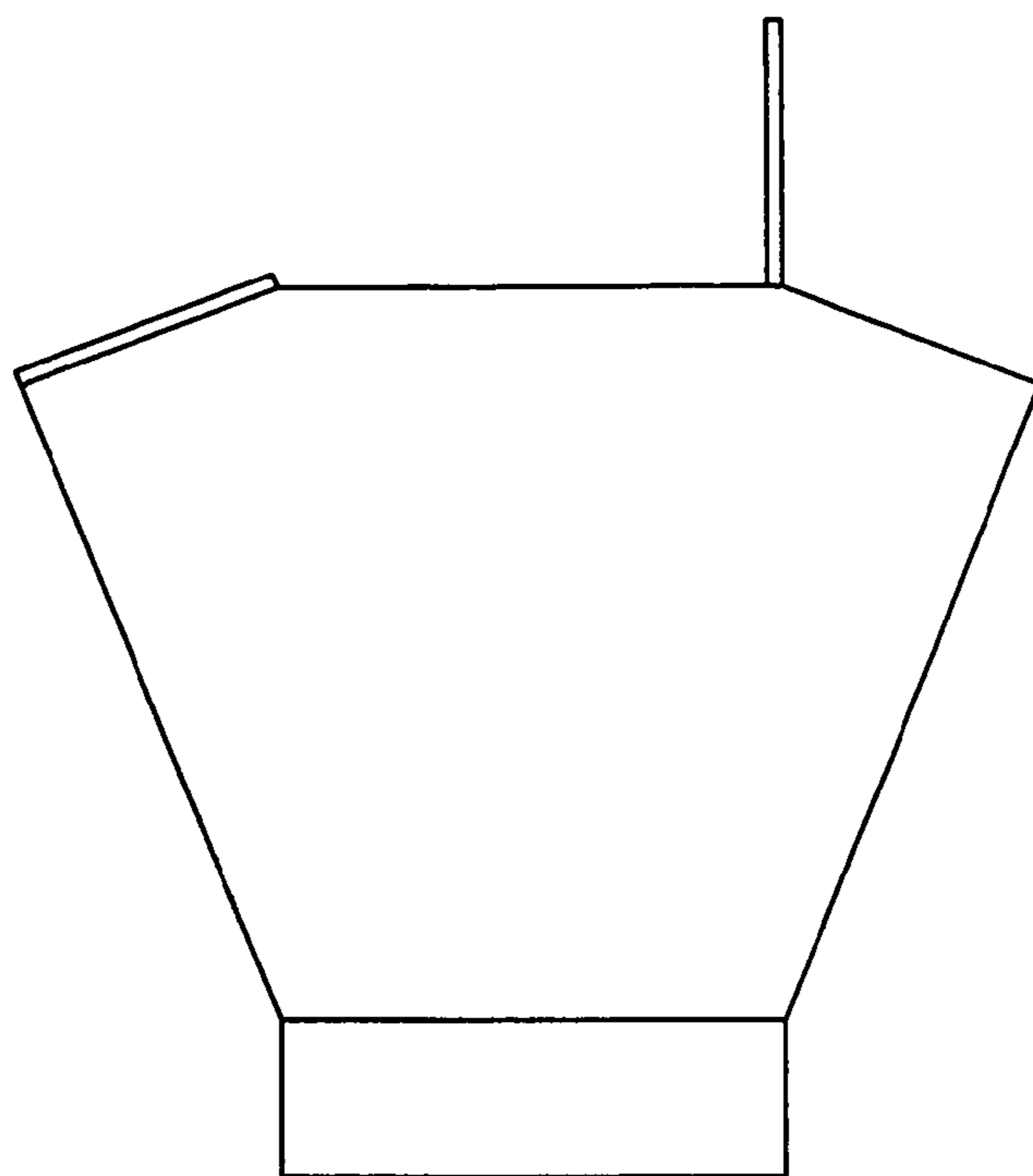


FIG. 12

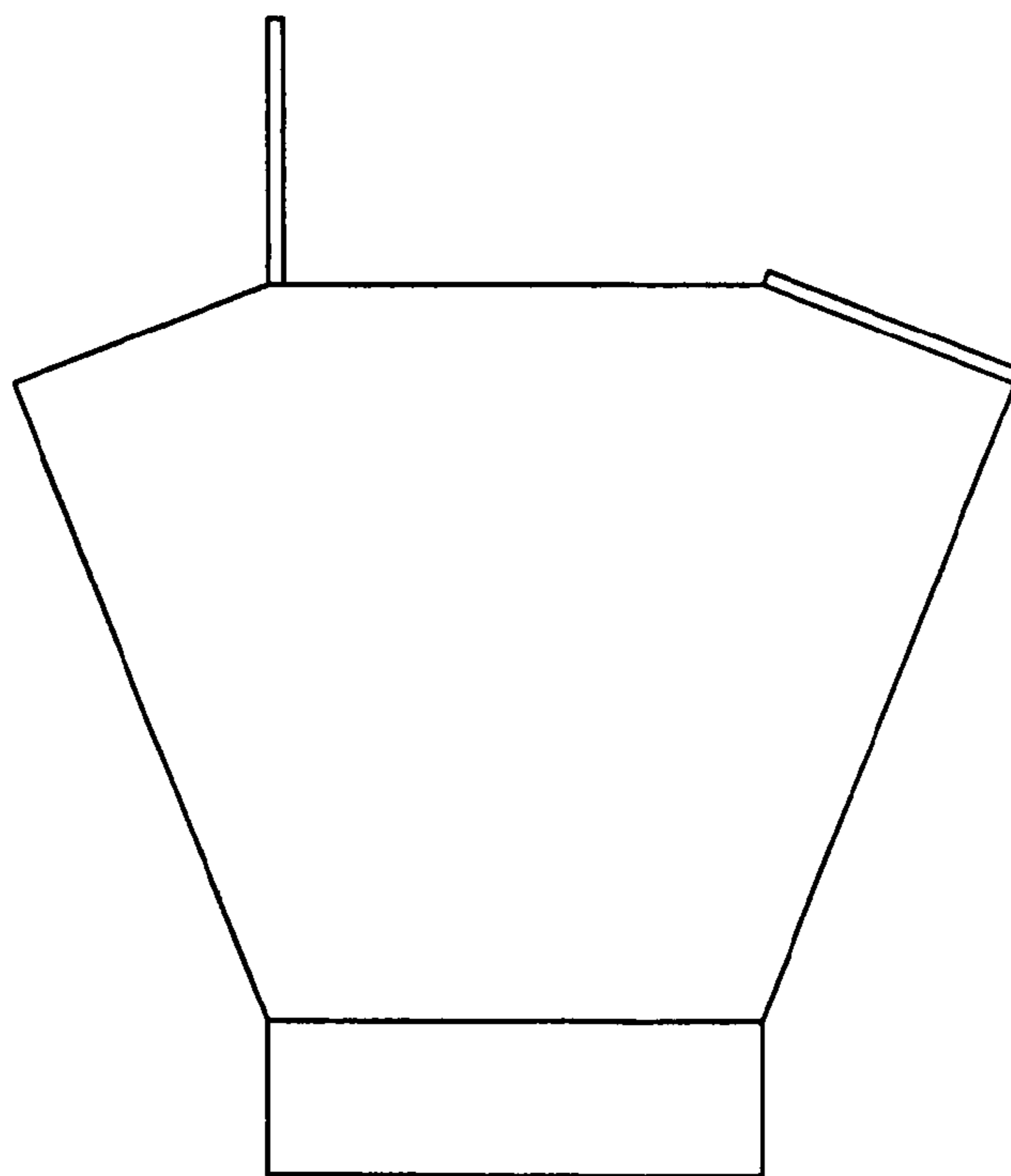


FIG. 13

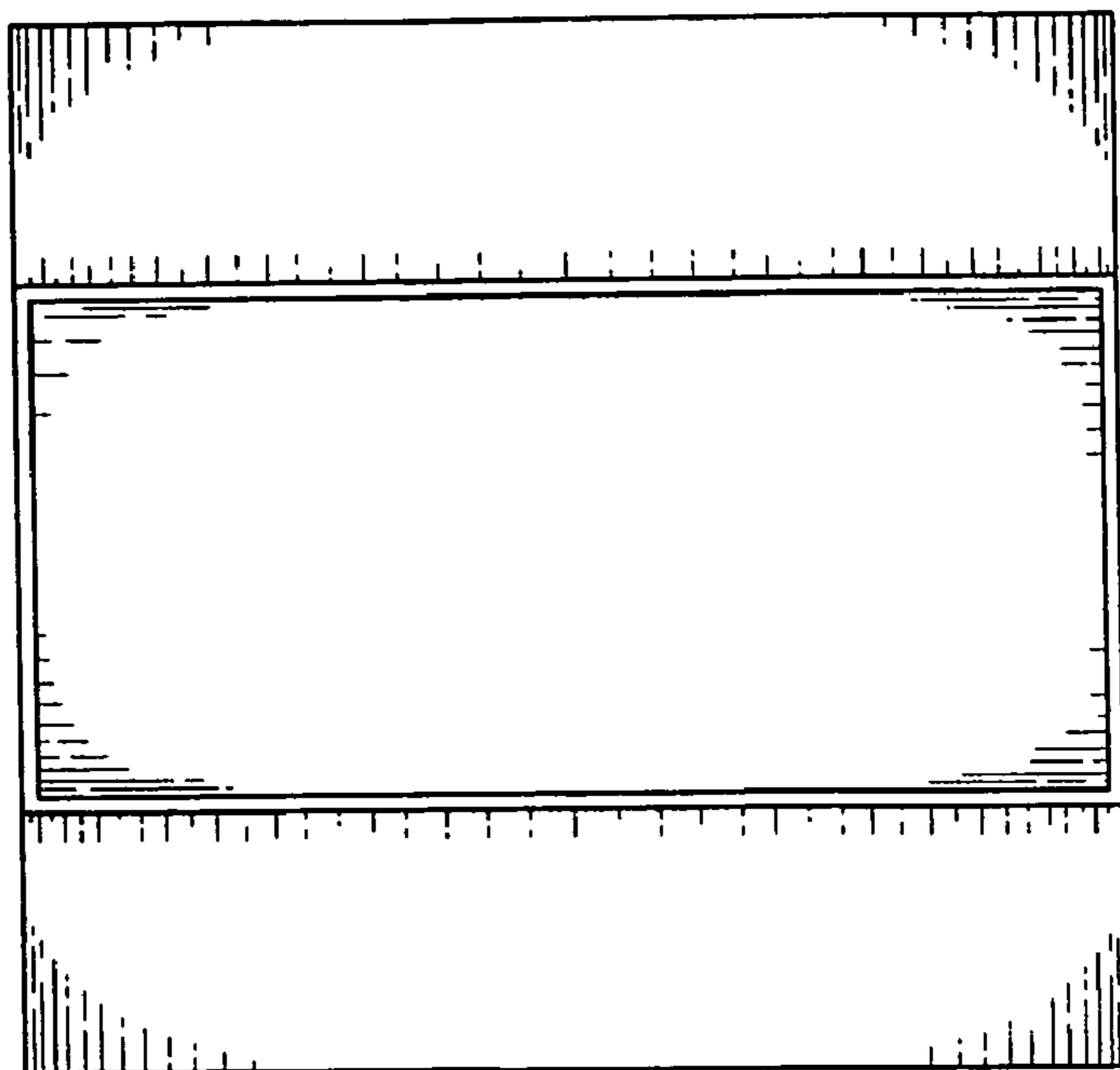


FIG. 14

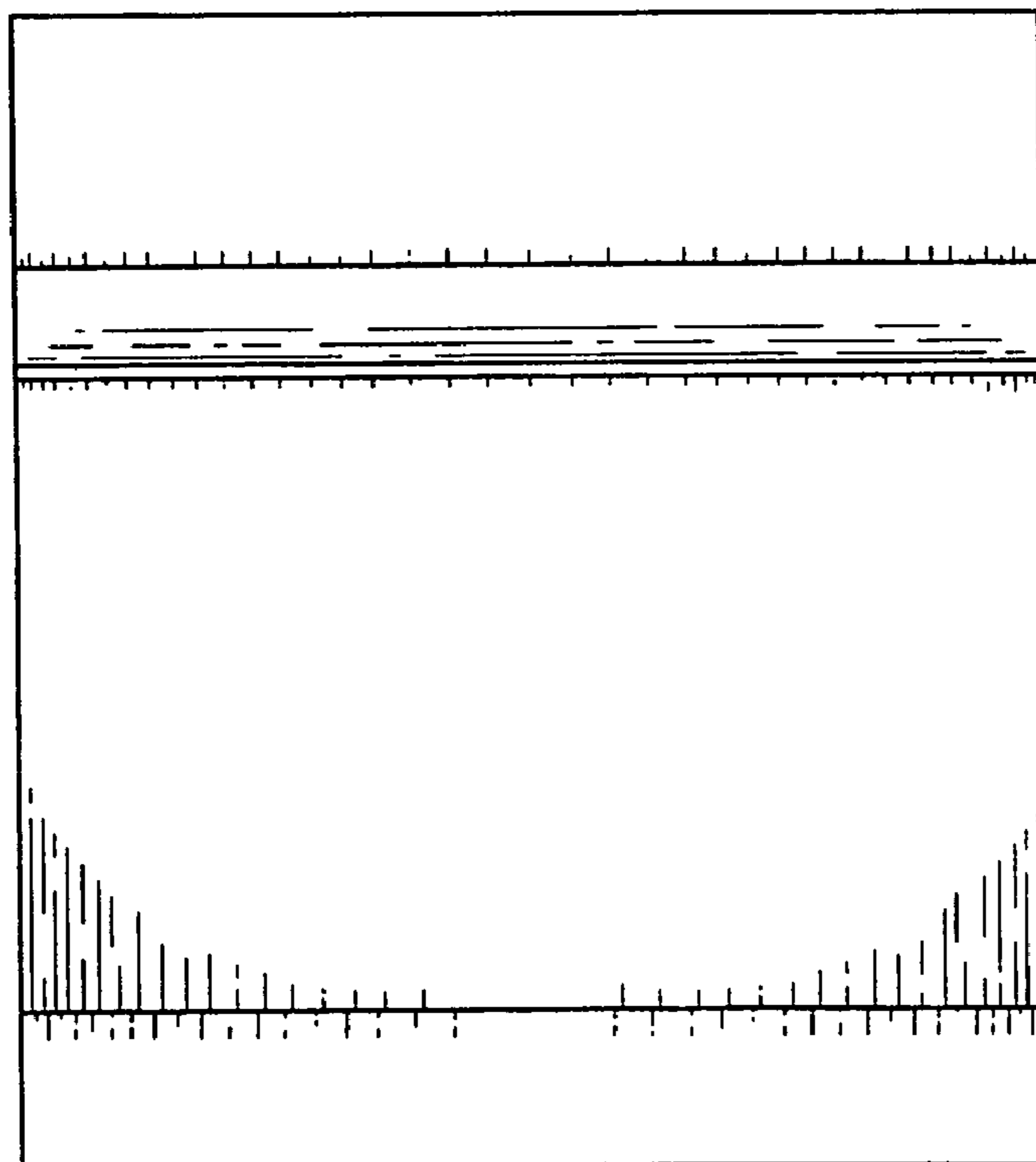


FIG. 15