



US00D638309S

(12) **United States Design Patent**  
**Wonderley**

(10) **Patent No.:** **US D638,309 S**

(45) **Date of Patent:** **\*\* May 24, 2011**

(54) **RAZOR CARTRIDGE DISPENSER**

(75) Inventor: **Jeffrey W. Wonderley**, Fort Defiance,  
VA (US)

(73) Assignee: **American Safety Razor**, Verona, VA  
(US)

(\*\*) Term: **14 Years**

(21) Appl. No.: **29/377,258**

(22) Filed: **Oct. 19, 2010**

(51) **LOC (9) Cl.** ..... **09-03**

(52) **U.S. Cl.** ..... **D9/748**

(58) **Field of Classification Search** ..... D9/749,  
D9/737, 748, 415; D6/526, 512; D3/201,  
D3/205; 206/349, 228, 244, 252, 775, 208,  
206/493, 354-360, 352; 30/514

See application file for complete search history.

(56) **References Cited**

**U.S. PATENT DOCUMENTS**

D231,198	S	*	4/1974	Casselli et al.	.....	D9/736
3,854,201	A	*	12/1974	Dawidowicz et al.	.....	30/40.2
D256,997	S	*	9/1980	Motta	.....	D9/736
D256,998	S	*	9/1980	Motta	.....	D9/736
D312,568	S	*	12/1990	Gray	.....	D9/736
D313,175	S		12/1990	Motta		
D358,761	S	*	5/1995	Ho	.....	D9/736
5,429,241	A		7/1995	Althaus		
D366,611	S		1/1996	Poisson		
5,518,114	A	*	5/1996	Kohring et al.	.....	206/352
5,636,442	A		6/1997	Wain		
D397,290	S		8/1998	Petricca et al.		
D398,522	S	*	9/1998	Petricca et al.	.....	D9/736
D398,523	S	*	9/1998	Petricca et al.	.....	D9/749
5,867,907	A		2/1999	Terry et al.		
5,946,805	A		9/1999	Oldroyd		
6,041,926	A		3/2000	Petricca et al.		
6,052,903	A		4/2000	Metcalf et al.		
D430,013	S	*	8/2000	Shurtleff et al.	.....	D9/749

6,192,586	B1		2/2001	Metcalf et al.		
6,237,232	B1		5/2001	Petricca et al.		
6,415,517	B1		7/2002	Worrick, III		
6,499,595	B1		12/2002	Petricca		
6,886,690	B2		5/2005	Petricca		
7,040,024	B2		5/2006	Lukan et al.		
D531,518	S		11/2006	Ramm et al.		
7,159,324	B2		1/2007	Worrick, III		
7,413,078	B2		8/2008	Fischer et al.		
D596,047	S	*	7/2009	Wonderley	.....	D9/749
D630,526	S	*	1/2011	Wonderley et al.	.....	D9/749
2002/0184770	A1		12/2002	Peysen		
2005/0198825	A1		9/2005	Apprille, Jr.		
2007/0007155	A1		1/2007	Foster		

**FOREIGN PATENT DOCUMENTS**

EP		1 577 228	A1		9/2005
GB		2 245 859			1/1992
GB		2 437 358			10/2007
JP		64-22204			1/1989
JP		64-83206			3/1989
JP		07-222619			8/1995

(Continued)

*Primary Examiner* — Mark A Goodwin

(74) *Attorney, Agent, or Firm* — McDermott Will & Emery  
LLP

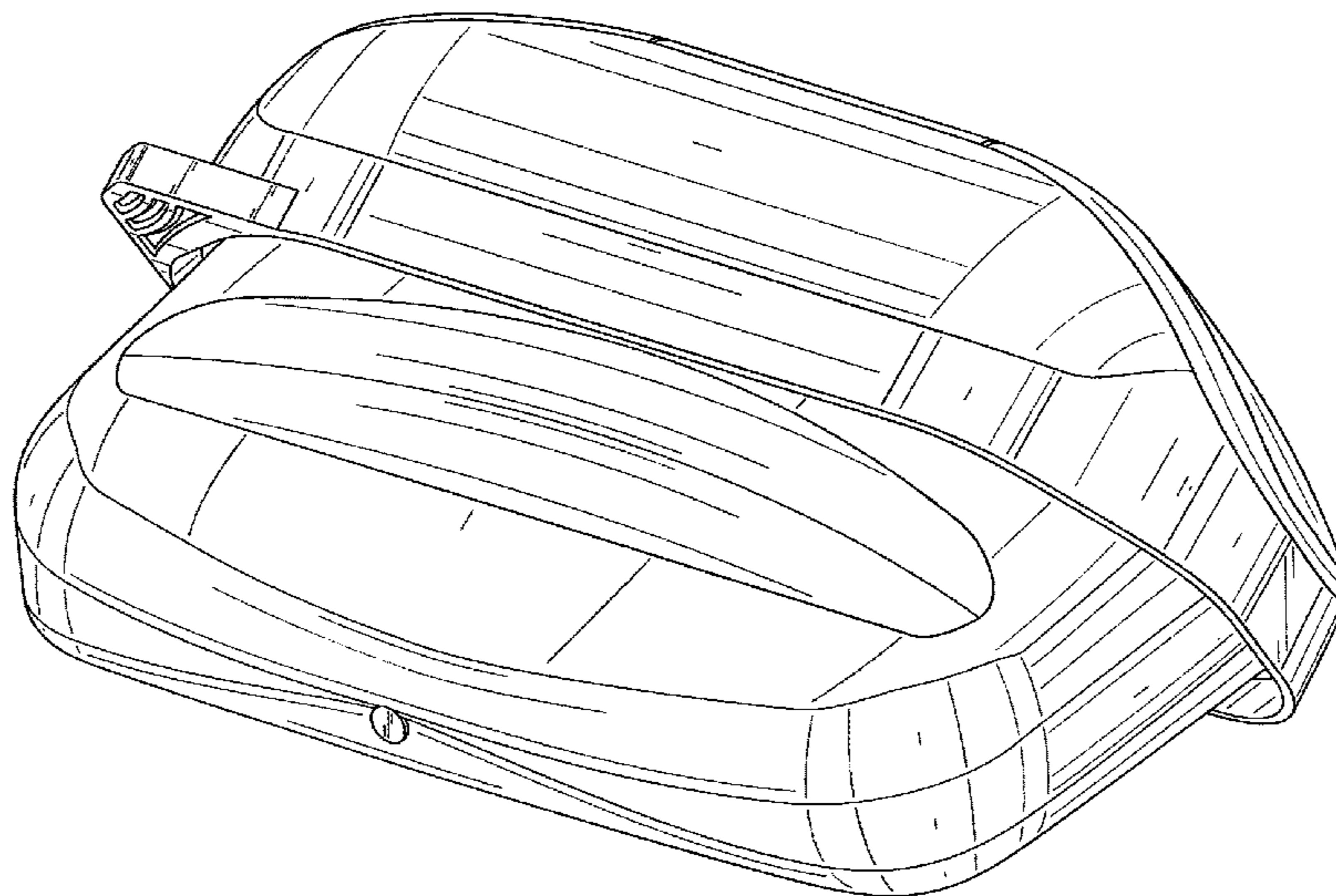
(57) **CLAIM**

The ornamental design for a razor cartridge dispenser, as shown and described.

**DESCRIPTION**

FIG. 1 is a front perspective view of the razor cartridge dispenser, showing the new design; FIG. 2 is a front view of the razor cartridge dispenser; FIG. 3 is a rear view of the razor cartridge dispenser; FIG. 4 is a side view of the razor cartridge dispenser; FIG. 5 is another side view of the razor cartridge dispenser; FIG. 6 is a top view of the razor cartridge dispenser; and, FIG. 7 is a bottom view of the razor cartridge dispenser.

**1 Claim, 7 Drawing Sheets**



# US D638,309 S

Page 2

---

FOREIGN PATENT DOCUMENTS					
JP	07-227487	8/1995	JP	2006-75188	3/2006
JP	2001-002132	1/2001	JP	2006-232325	9/2006
JP	2001-310088	11/2001	WO	WO 98/36879	8/1998
JP	2003-24121	1/2003			

\* cited by examiner

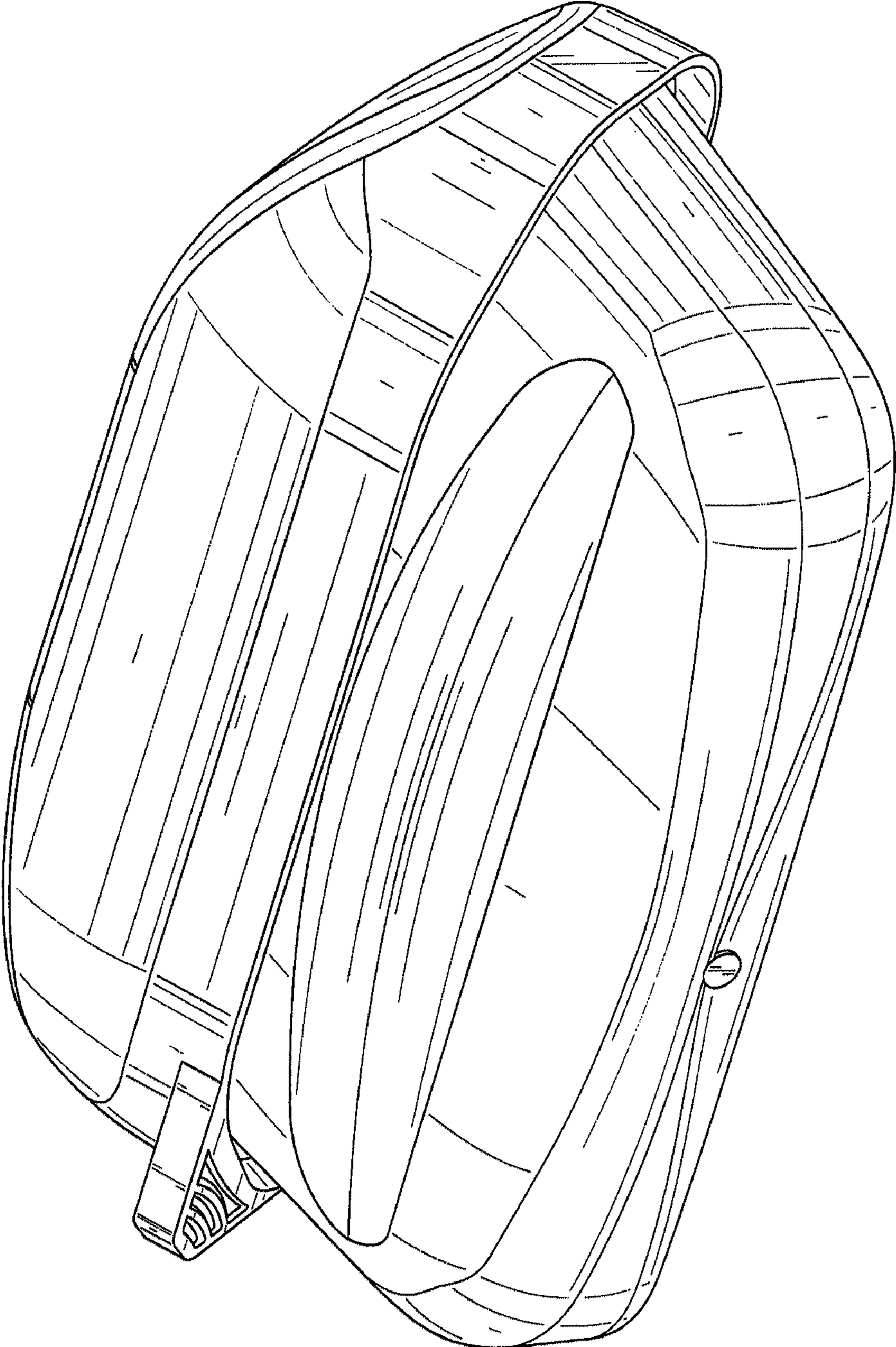


FIG. 1

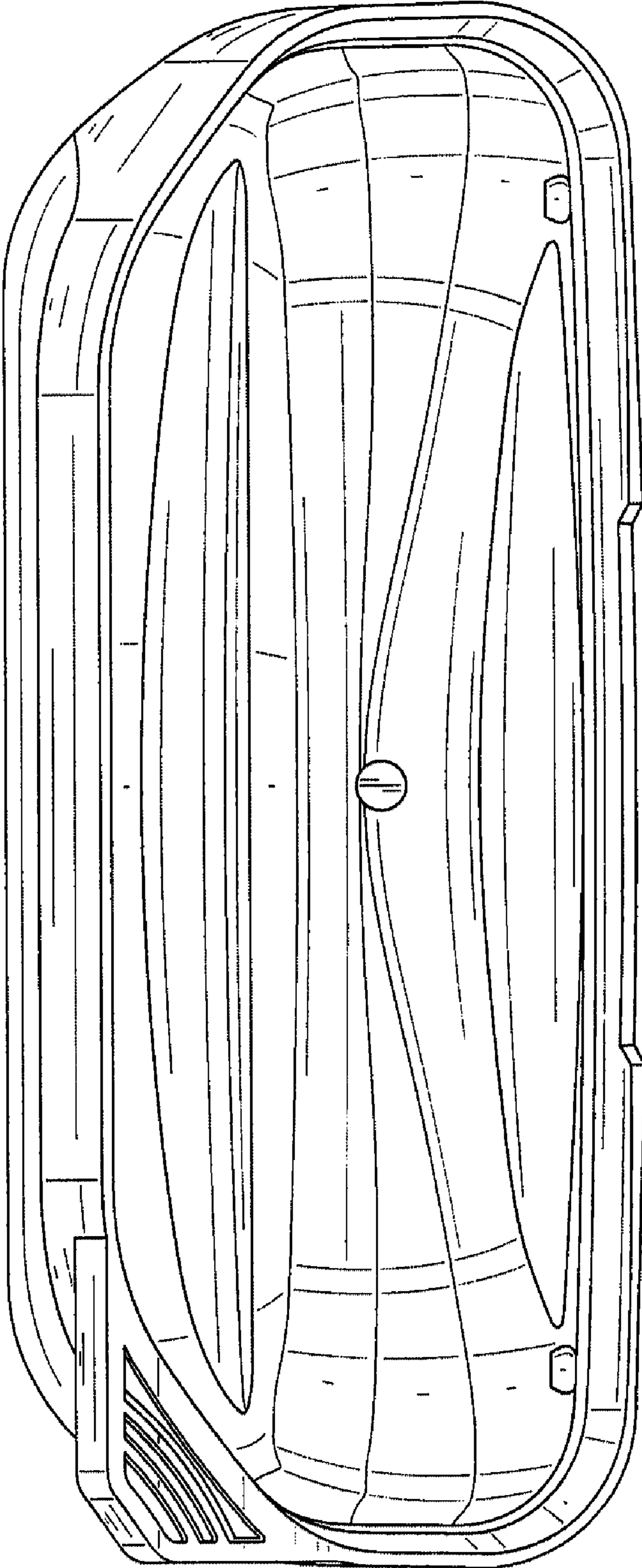


FIG. 2





FIG. 3

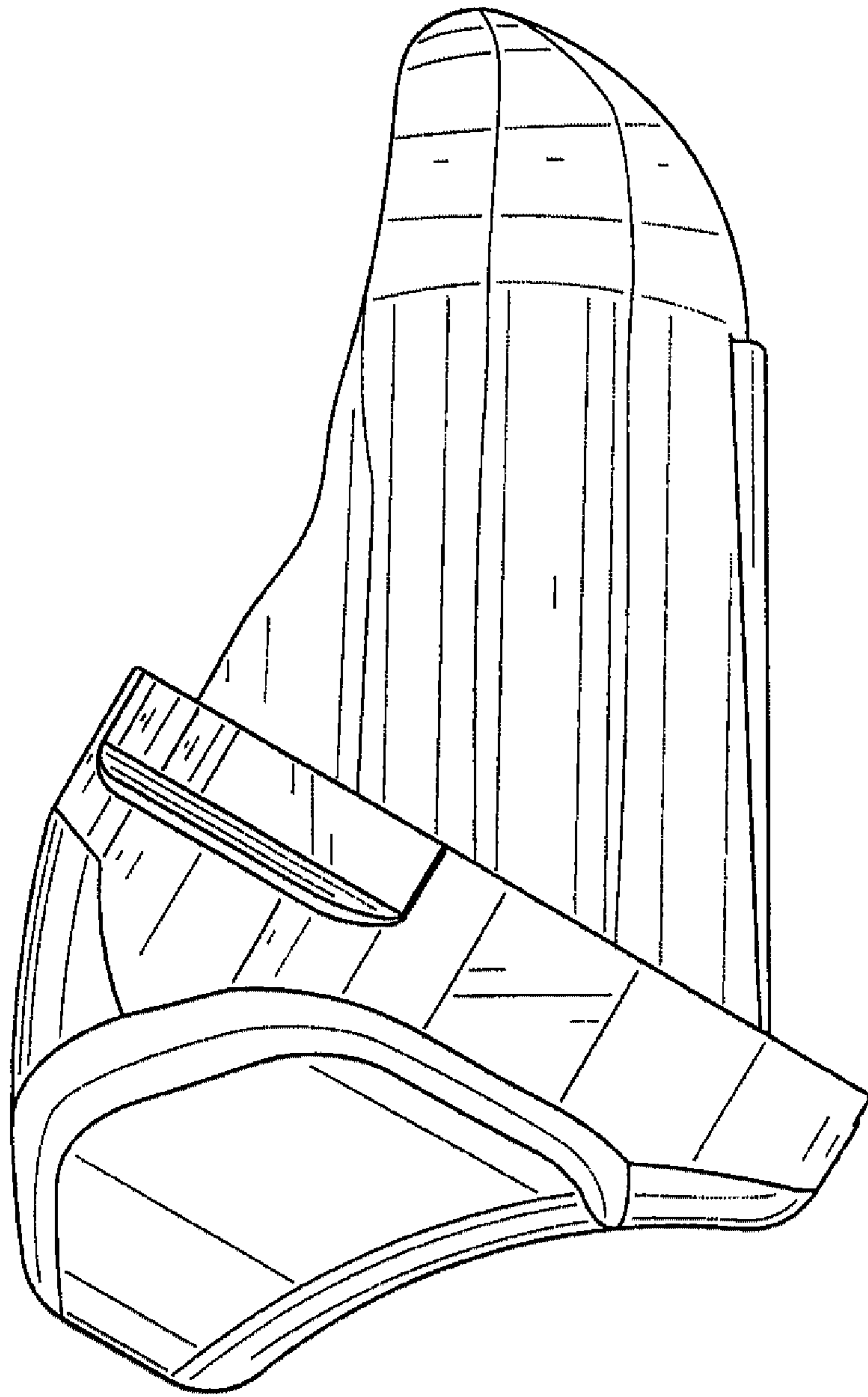


FIG. 4

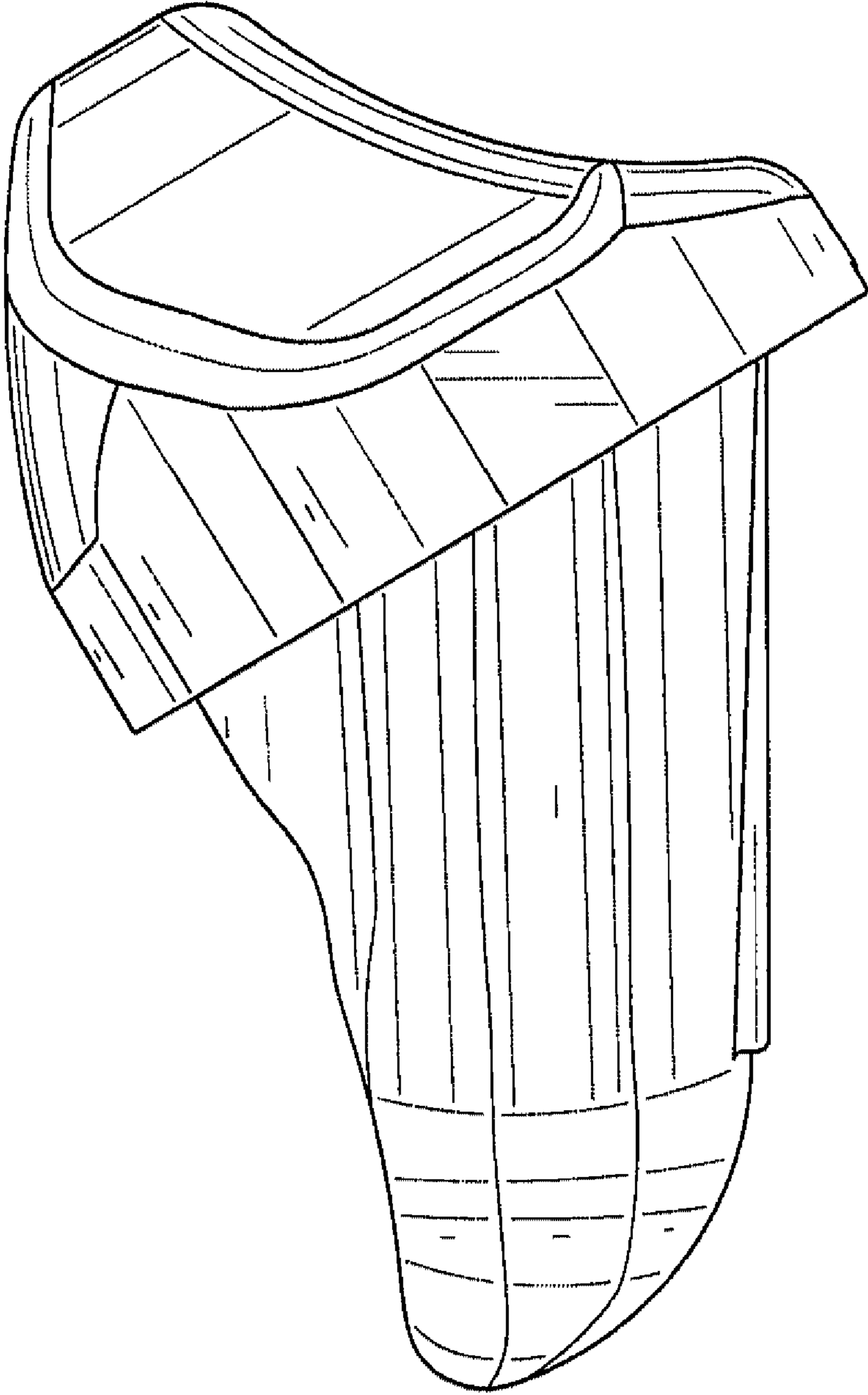


FIG. 5

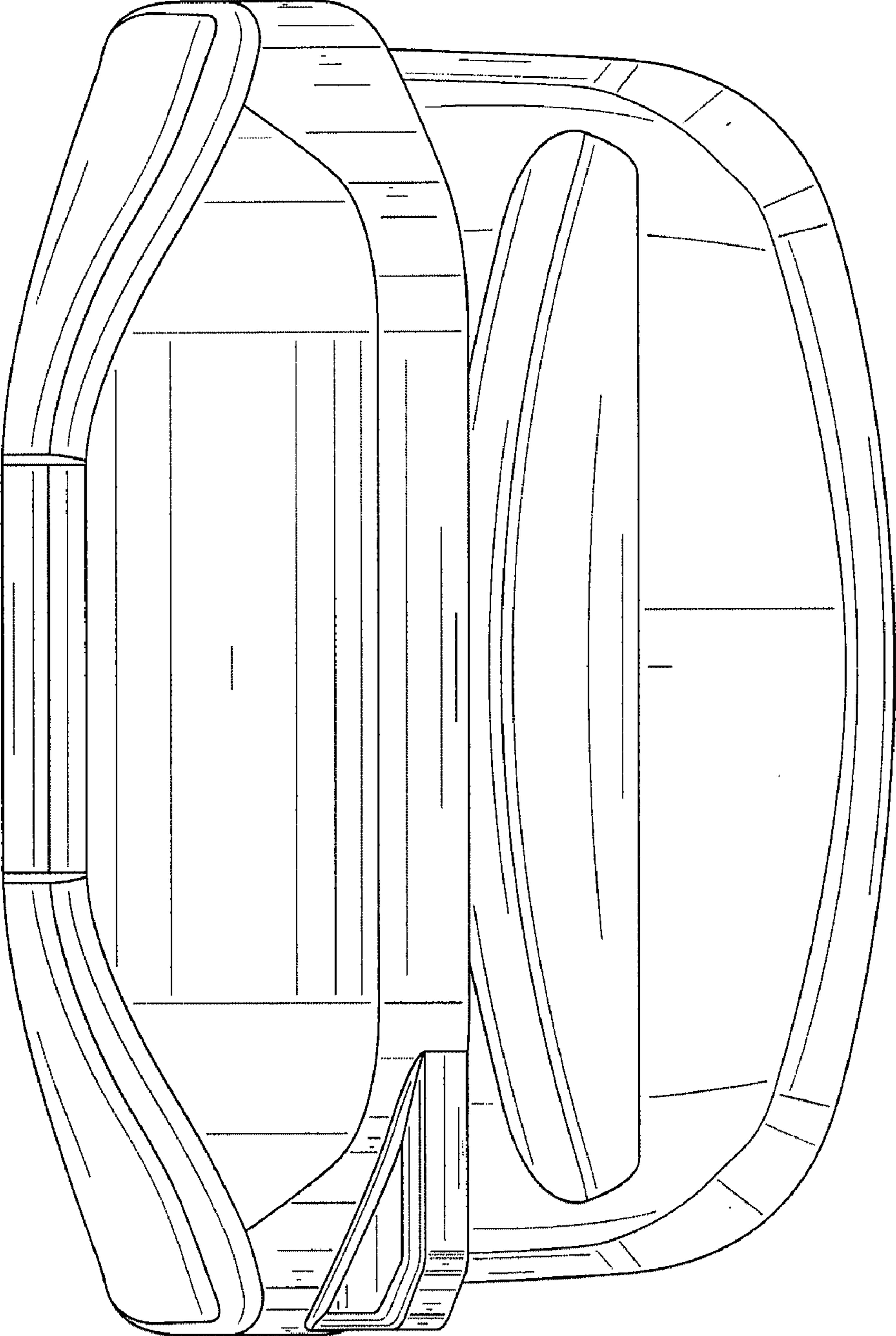


FIG. 6



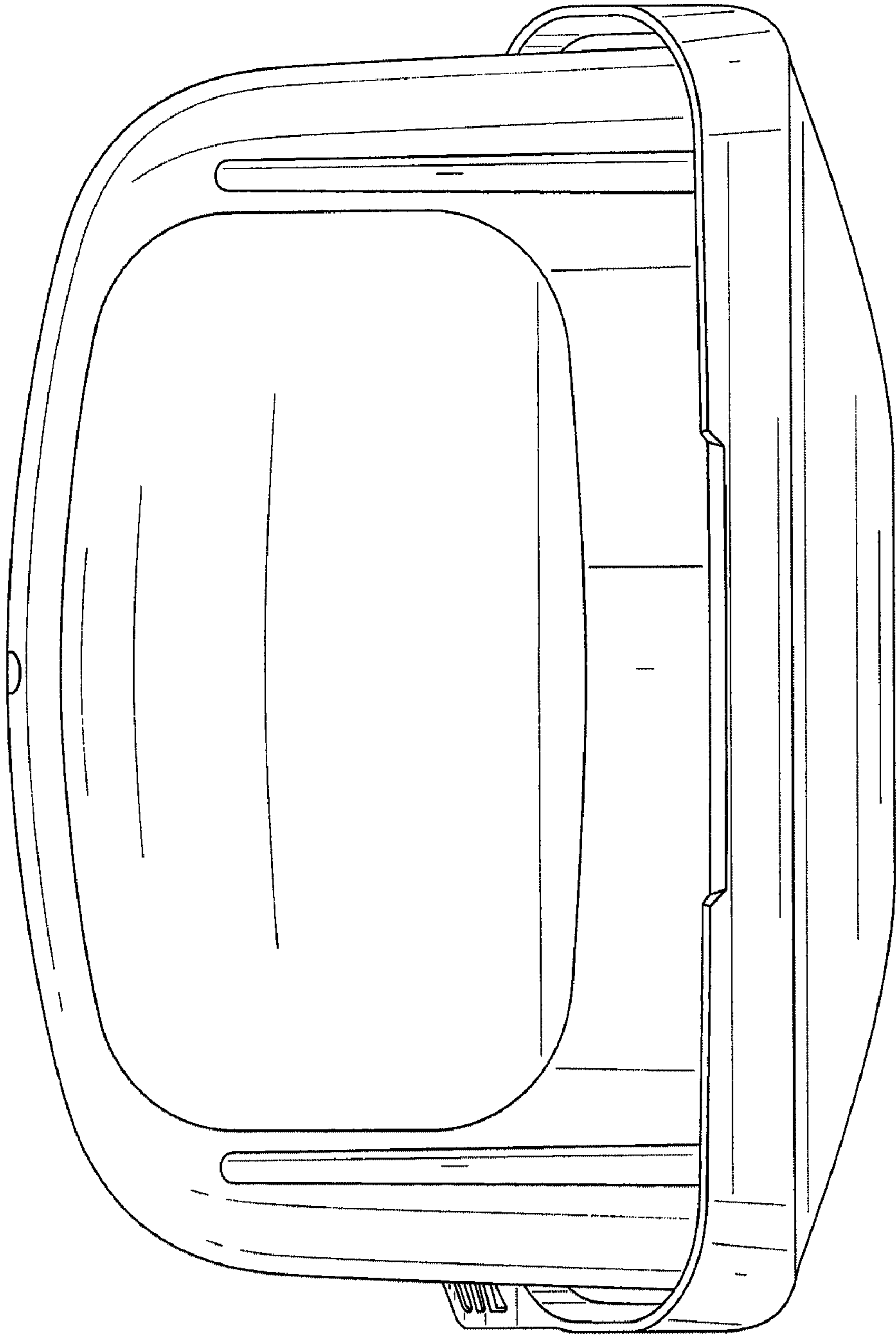


FIG. 7