



US00D638308S

(12) **United States Design Patent**  
**Ashiwa et al.**

(10) **Patent No.:** **US D638,308 S**  
(45) **Date of Patent:** **\*\* May 24, 2011**

(54) **COSMETIC CONTAINER**  
(75) Inventors: **Akiko Ashiwa**, Singapore (SG); **Ian Andrew Carnduff**, New York, NY (US); **Akina Kurihara**, Brooklyn, NY (US)

(73) Assignee: **The Procter & Gamble Company**, Cincinnati, OH (US)

(\*\*) Term: **14 Years**

(21) Appl. No.: **29/378,002**

(22) Filed: **Oct. 28, 2010**

**Related U.S. Application Data**

(62) Division of application No. 29/306,554, filed on Apr. 10, 2008, now Pat. No. Des. 594,599.

(51) **LOC (9) Cl.** ..... **09-01**

(52) **U.S. Cl.** ..... **D9/723**

(58) **Field of Classification Search** ..... D9/500,  
D9/502-505, 516, 519, 520, 526, 530, 537,  
D9/539, 540, 544-545, 549-550, 552, 558,  
D9/686, 688-692, 723, 724, 900; 206/438;  
141/24; 215/249, 379, 381, 382; 220/660,  
220/662, 669-673, 675; D24/115, 133, 197,  
D24/216, 222, 224

See application file for complete search history.

(56) **References Cited**

**U.S. PATENT DOCUMENTS**

D87,975 S 10/1932 Nester  
D138,686 S 8/1944 Smith  
2,872,950 A 2/1959 Castelli  
4,189,245 A 2/1980 Bennett  
D264,183 S 5/1982 Schultz  
D288,293 S 2/1987 Arvans

4,863,049 A 9/1989 Suzuki et al.  
D328,702 S \* 8/1992 Bompard ..... D9/661  
D355,844 S 2/1995 Bishop et al.  
5,611,445 A 3/1997 Kano et al.  
D414,418 S 9/1999 Nosella  
D449,228 S 10/2004 Nosella  
D507,188 S \* 7/2005 Chen ..... D9/686  
D537,360 S 2/2007 Snell  
D538,163 S \* 3/2007 de Mourgues ..... D9/505  
D543,459 S \* 5/2007 Konieczny ..... D9/505  
D563,221 S 3/2008 Ashiwa  
D619,894 S 7/2010 Ashiwa et al.  
D628,089 S \* 11/2010 Ashiwa et al. .... D9/723

**OTHER PUBLICATIONS**

U.S. Appl. No. 29/316,554, filed Oct. 9, 2009, Ashiwa, et al.

\* cited by examiner

*Primary Examiner* — Thomas J Johannes

(74) *Attorney, Agent, or Firm* — Eric T. Addington; S. Robert Chuey; James Vago

(57) **CLAIM**

The ornamental design for a cosmetic container, as shown and described.

**DESCRIPTION**

FIG. 1 is a perspective view of a cosmetic container, showing our new design;

FIG. 2 is a front elevation view thereof; the back elevation being identical thereto;

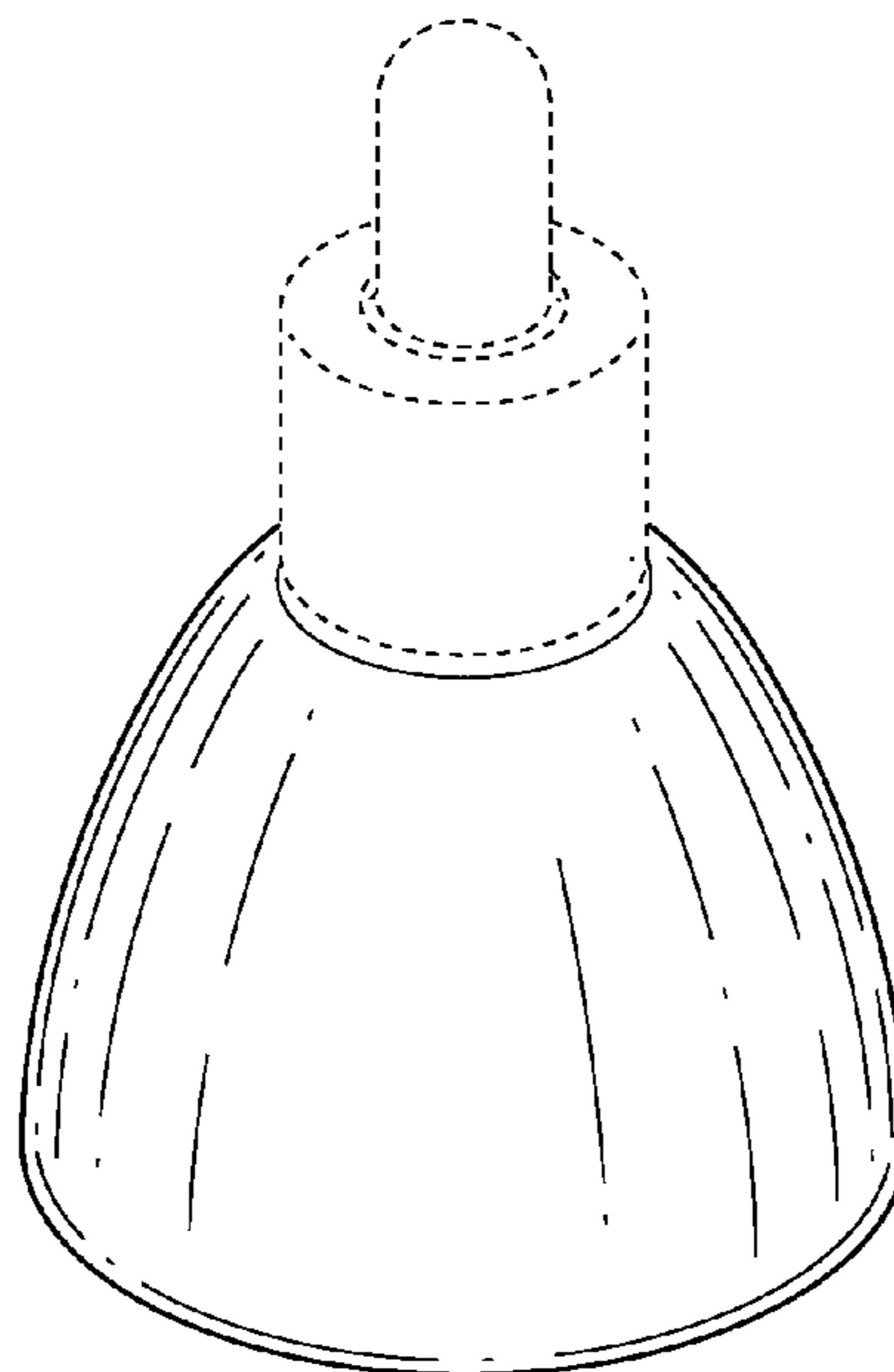
FIG. 3 is a top plan view thereof;

FIG. 4 is a bottom plan view thereof; and,

FIG. 5 is a side elevation view thereof; the opposite side elevation being identical thereto.

The broken lines shown in the drawings show unclaimed subject matter only and form no part of the claimed design.

**1 Claim, 3 Drawing Sheets**



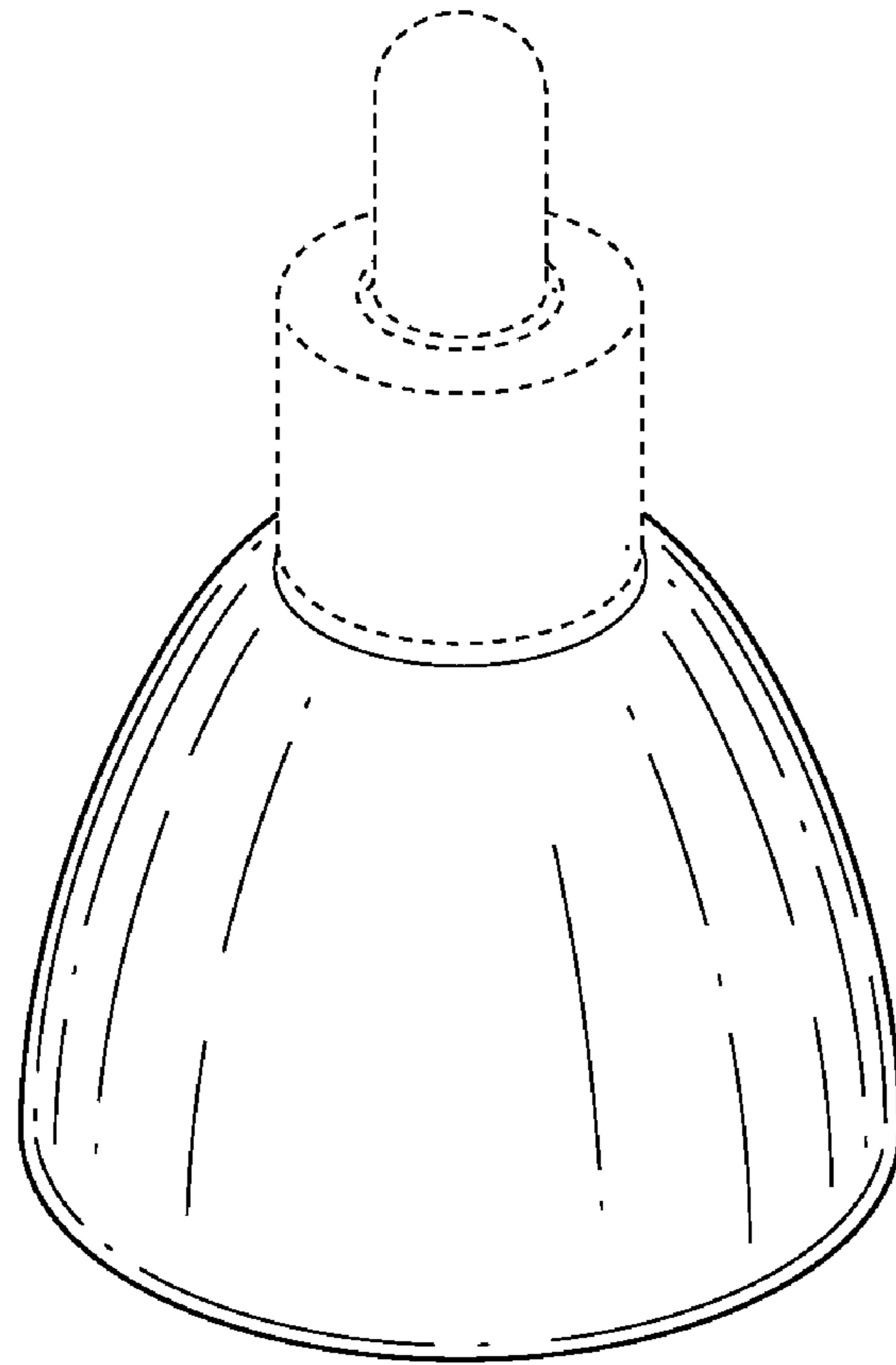


Fig. 1

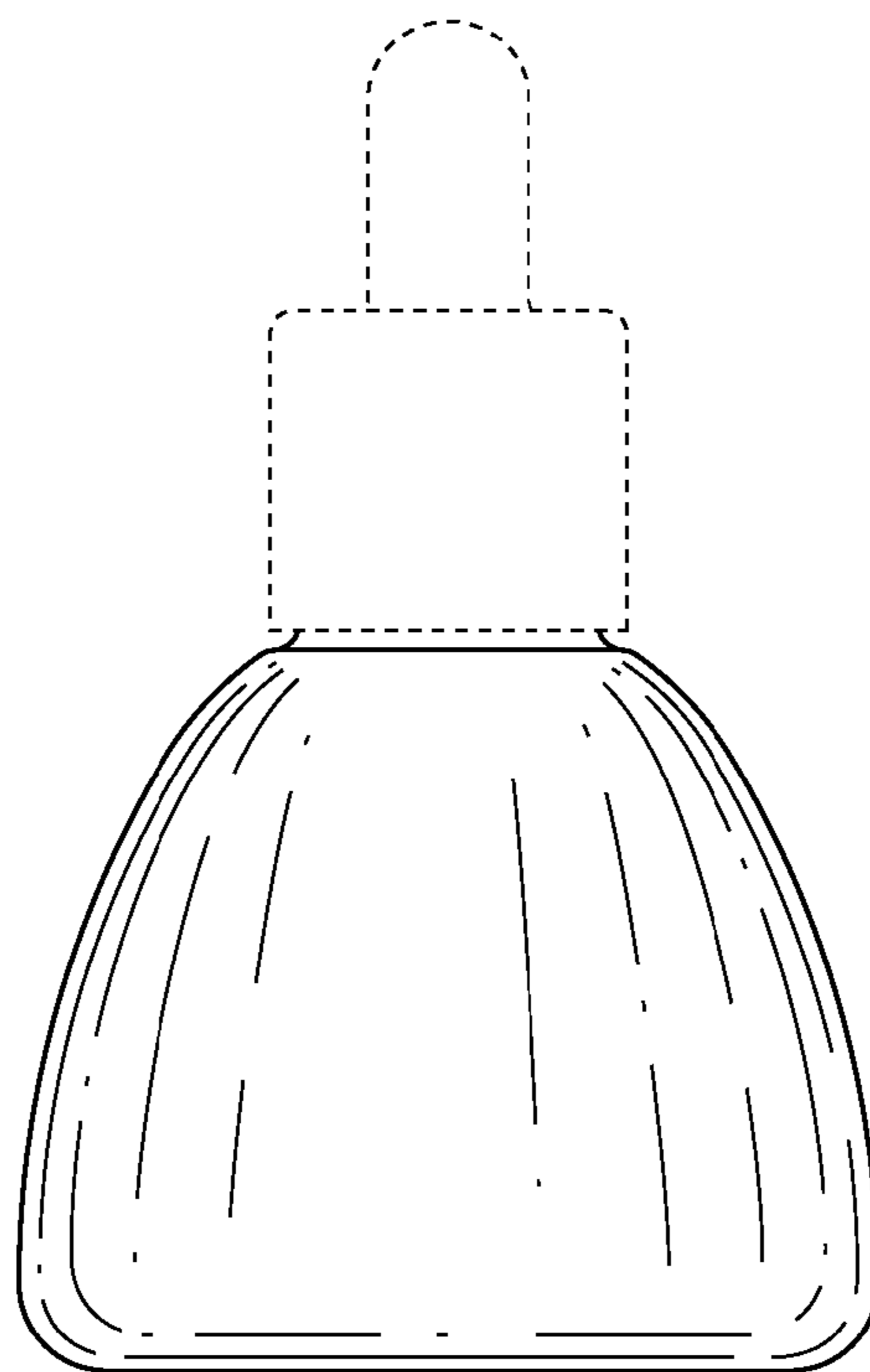


Fig. 2

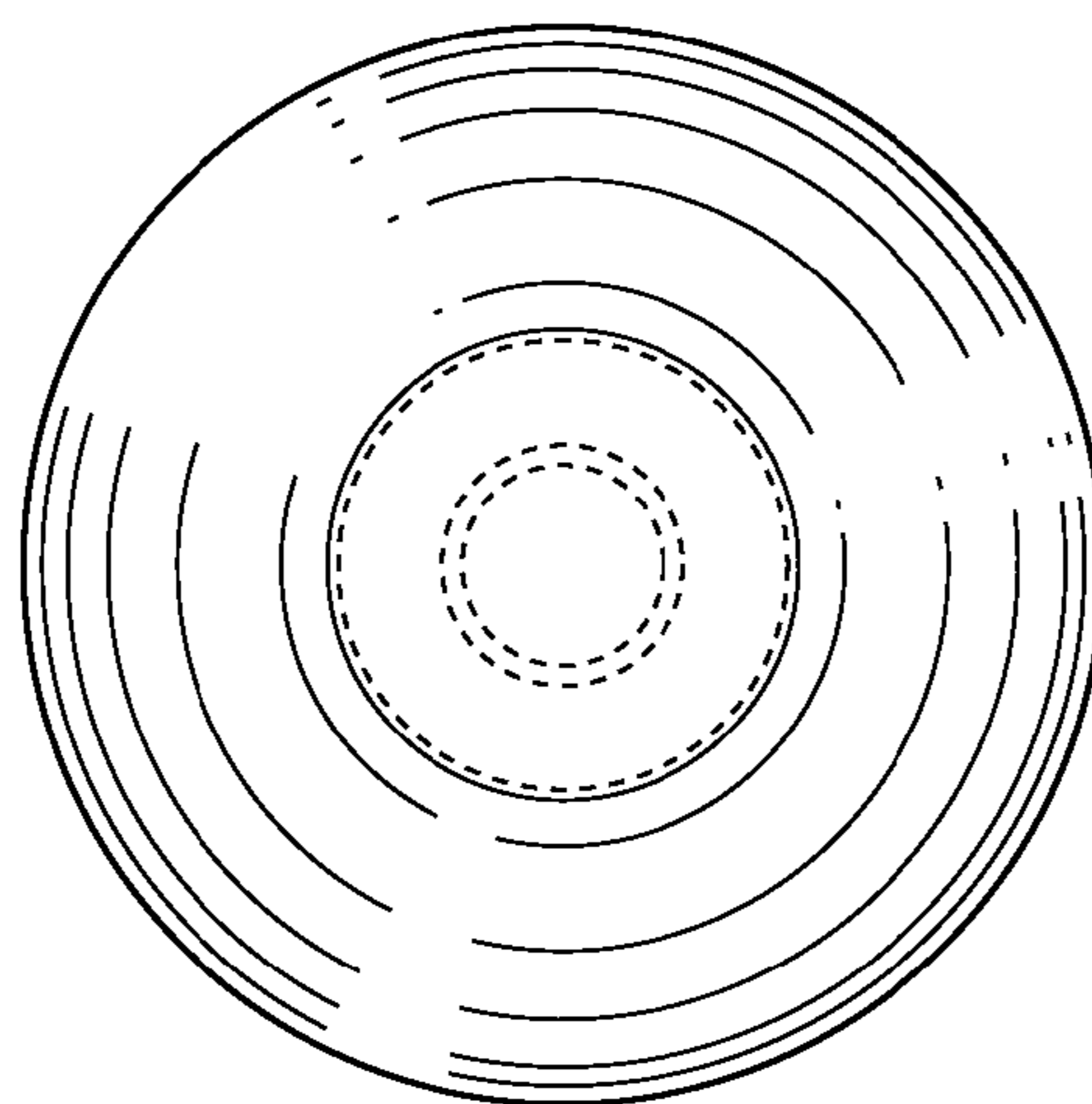


Fig. 3

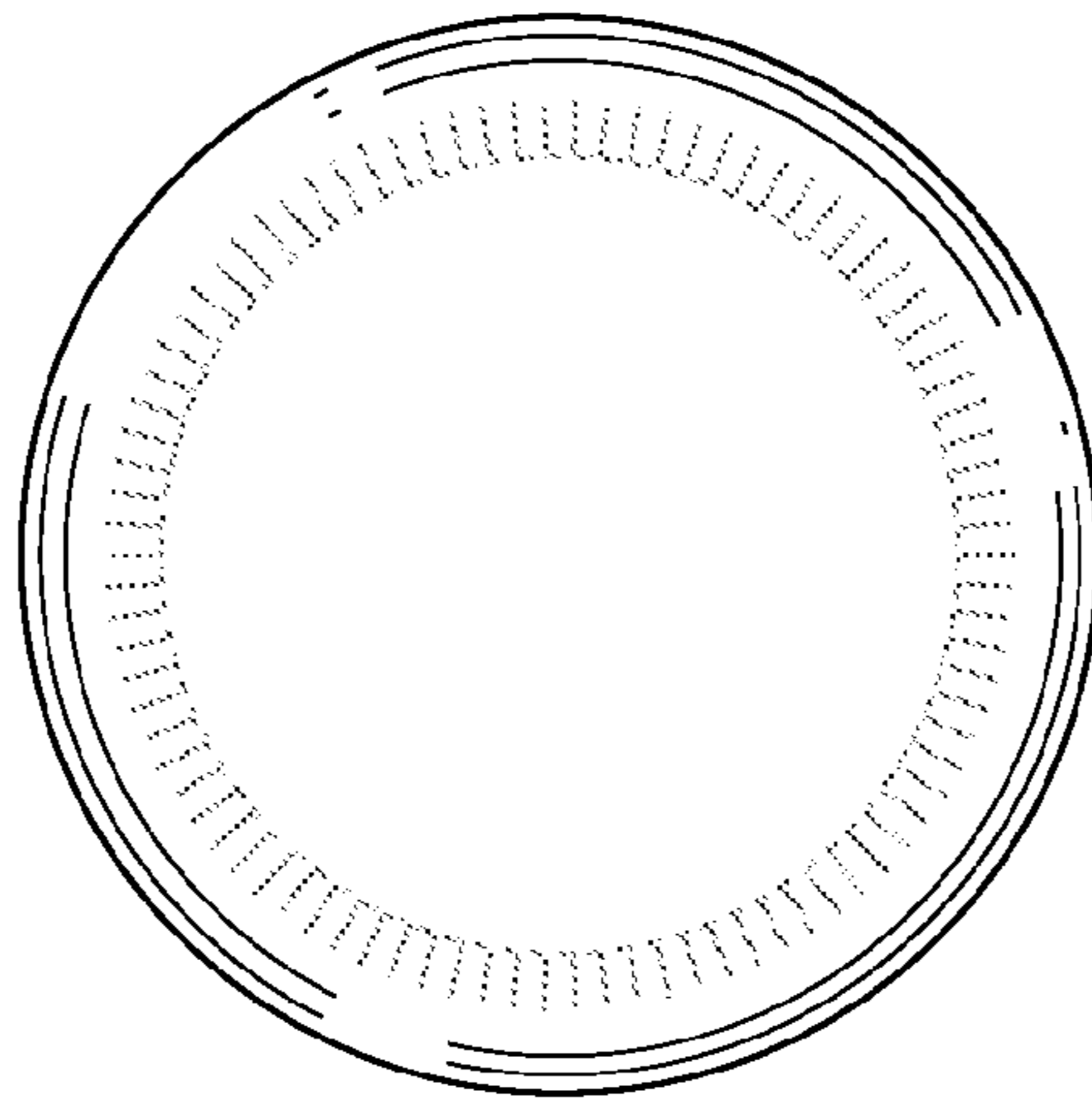


Fig. 4

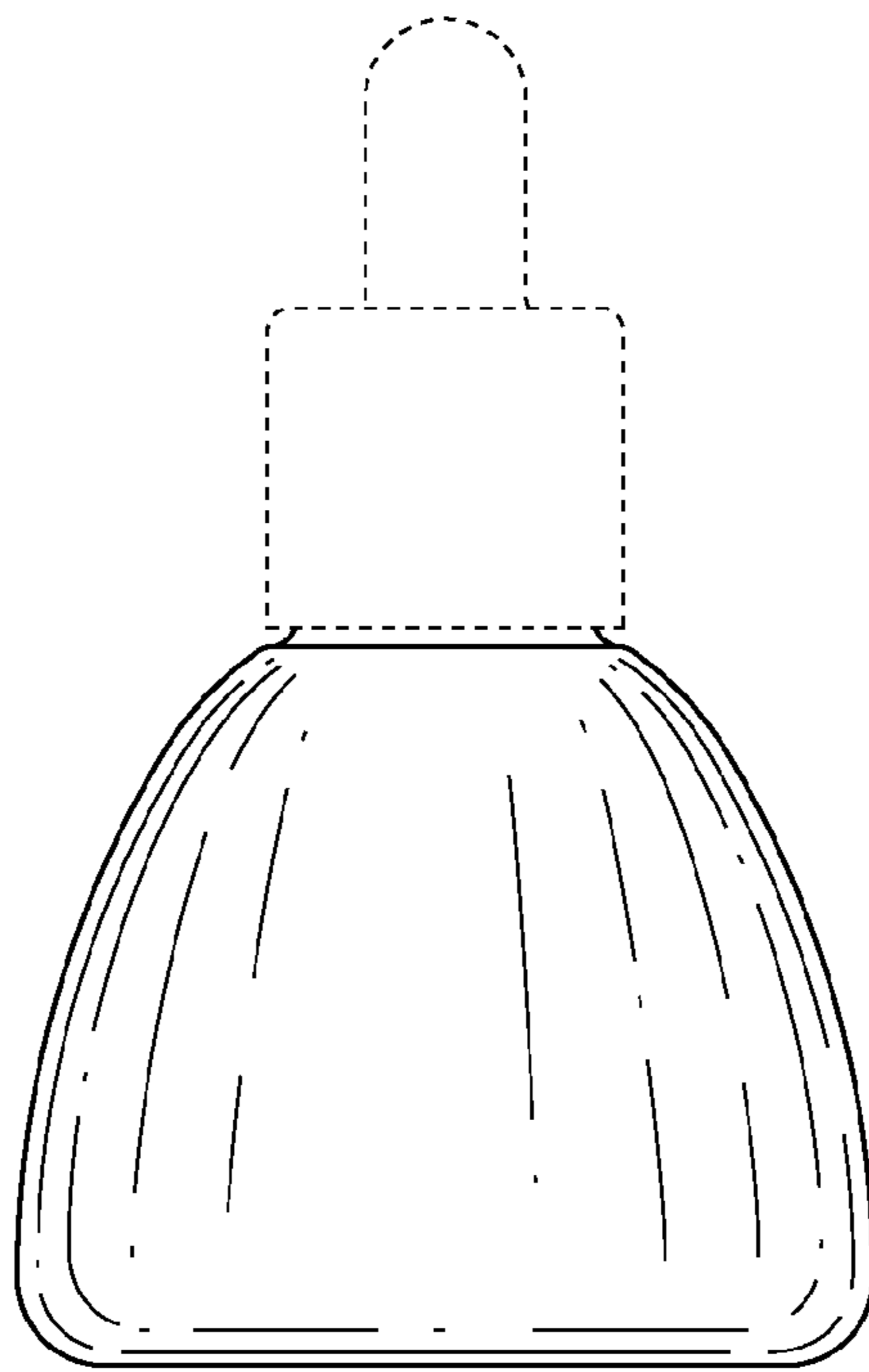


Fig. 5