



US00D638307S

(12) **United States Design Patent**
Rossi et al.

(10) **Patent No.:** **US D638,307 S**
(45) **Date of Patent:** **** May 24, 2011**

(54) **PACKAGE WITH INSERT**

(75) Inventors: **Wayne Rossi**, Dover, DE (US); **Michael Williamson**, Frederica, DE (US); **Peter Preisner**, Quinton, VA (US); **Wojtek Drewnowski**, Richmond, VA (US); **John Stanley**, Richmond, VA (US)

(73) Assignee: **Playtex Products, LLC**, Shelton, CT (US)

(**) Term: **14 Years**

(21) Appl. No.: **29/346,046**

(22) Filed: **Oct. 26, 2009**

(51) **LOC (9) Cl.** **09-03**

(52) **U.S. Cl.** **D9/721**

(58) **Field of Classification Search** D9/337, D9/414, 419, 421, 423, 432, 433, 701, 707, D9/711, 715, 737, 499; 220/500, 520, 62, 220/668, 670; 206/213.1, 214, 216, 218, 206/223, 256, 258, 306, 443, 525.1, 527; 229/100, 102, 103.11, 120.02, 120.24, 122, 229/125.37, 124, 164.2, 800

See application file for complete search history.

(56) **References Cited**

U.S. PATENT DOCUMENTS

820,773 A * 5/1906 Fleming 229/122
996,364 A 6/1911 Rexford
1,217,283 A * 2/1917 Daniel et al. 206/443
1,490,529 A * 4/1924 Dittgen 206/258
1,744,388 A * 1/1930 Johnson 206/214
2,790,587 A 4/1957 Contant
3,369,859 A * 2/1968 Cornelius 206/213.1

4,186,835 A * 2/1980 Hofer 206/443
D288,172 S * 2/1987 Kanellos D9/701
4,681,124 A 7/1987 Hinzmann et al. 131/109.1
4,907,397 A 3/1990 Goodman
5,127,209 A 7/1992 Hunter
5,433,336 A 7/1995 Kristoffersson
6,059,113 A * 5/2000 Hodges 206/443
6,212,860 B1 4/2001 Preisner et al. 53/547
6,321,510 B2 11/2001 Preisner et al. 53/412
6,347,705 B1 2/2002 Futrell
D490,705 S * 6/2004 Olsson D9/432
6,978,584 B1 12/2005 Burrow et al.
7,413,101 B2 8/2008 Smalley et al.
2001/0003890 A1 6/2001 Preisner et al. 53/412
2009/0188210 A1 7/2009 Blocker

FOREIGN PATENT DOCUMENTS

JP 58-036827 3/1983

OTHER PUBLICATIONS

International Search Report dated Jan. 14, 2011 from PCT Application No. PCT/US2010/054116.

* cited by examiner

Primary Examiner — Thomas J Johannes

(74) *Attorney, Agent, or Firm* — Ohlandt, Greeley, Ruggiero & Perle, L.L.P.

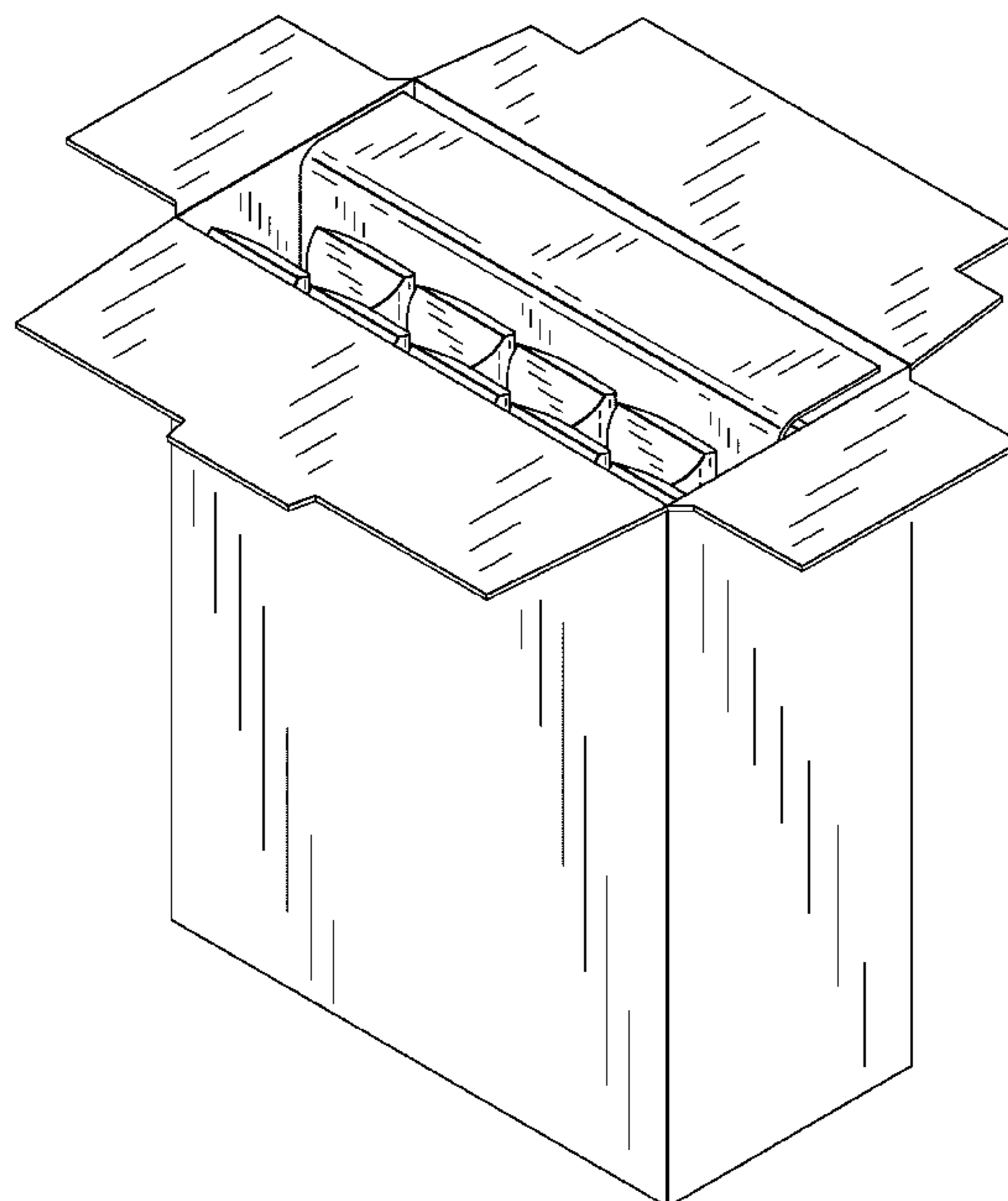
(57) **CLAIM**

The ornamental design for a package with insert, as shown and described.

DESCRIPTION

FIG. 1 is a perspective view of a package with insert showing our new design; and, FIG. 2 is a top plan view thereof.

1 Claim, 2 Drawing Sheets



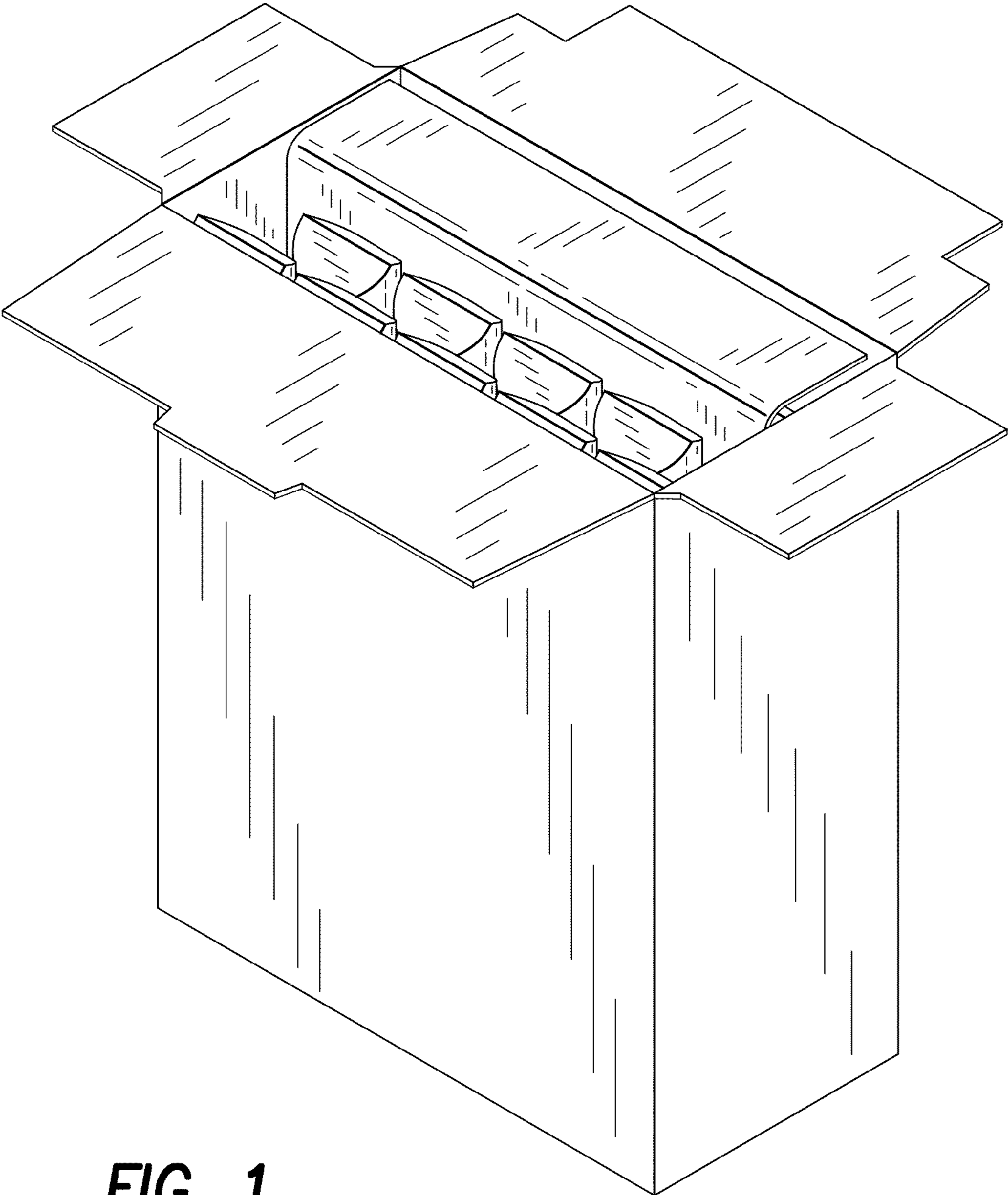


FIG. 1

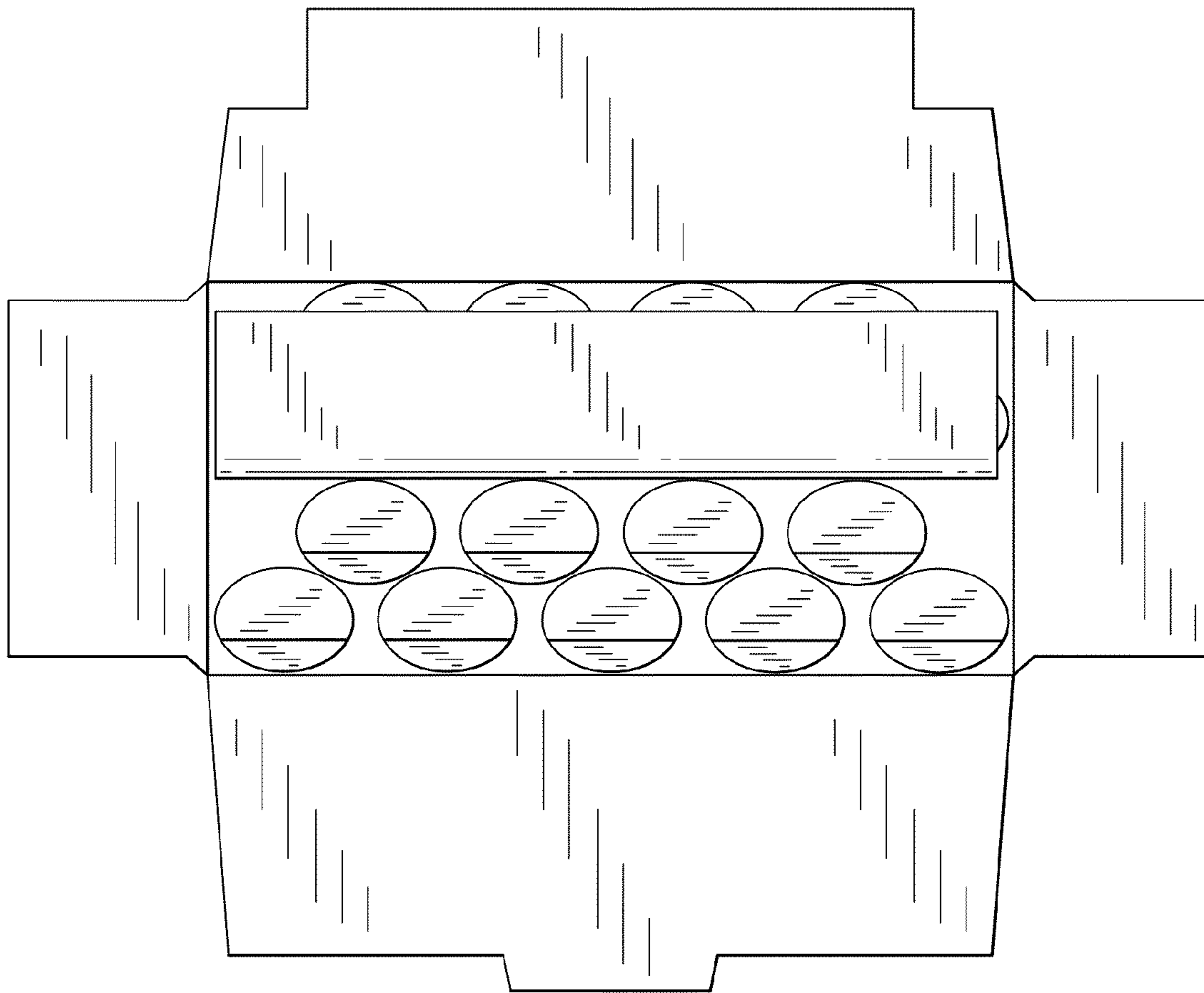


FIG. 2