



US00D638306S

(12) **United States Design Patent**
Havrileck

(10) **Patent No.:** **US D638,306 S**

(45) **Date of Patent:** **** May 24, 2011**

(54) **BOTTLE**

(75) Inventor: **Bertrand Havrileck**, Nice (FR)

(73) Assignee: **Virbac**, Carros Cedex (FR)

(**) Term: **14 Years**

(21) Appl. No.: **29/336,550**

(22) Filed: **May 5, 2009**

(51) **LOC (9) Cl.** **09-01**

(52) **U.S. Cl.** **D9/688**

(58) **Field of Classification Search** D9/682-694,
D9/516-575, 435, 436, 447-450; D24/108,
D24/110, 110.4, 110.5, 112, 113, 117, 119;
215/3, 16, 228, 379-385; 220/662, 665,
220/669-675; 222/129, 135, 153.01, 153.03,
222/153.04, 153.09, 153.11-153.14, 182,
222/631, 635, 209, 211-213, 215, 321.7-321.9,
222/372, 373, 378, 379, 383.1, 384-386,
222/398, 400.7, 400.8, 401, 402.1-402.25

See application file for complete search history.

(56) **References Cited**

U.S. PATENT DOCUMENTS

1,540,197 A * 6/1925 Treadwell 222/398
3,105,618 A * 10/1963 Whitley 222/207
3,116,856 A * 1/1964 Prussin et al. 222/402.24
3,138,299 A * 6/1964 Staunton 222/207

D255,989 S * 7/1980 Lipsz D9/504
4,396,132 A * 8/1983 Christensen 222/1
5,363,991 A * 11/1994 Reyman 222/207
D415,685 S * 10/1999 Braun D9/503
7,232,046 B1 * 6/2007 Stassi 222/400.8

FOREIGN PATENT DOCUMENTS

EM 000308291-0001 * 5/2005
EM 000916218-0001 * 5/2008

* cited by examiner

Primary Examiner — Catherine Tuttle

(74) *Attorney, Agent, or Firm* — Buchanan Ingersoll & Rooney PC

(57) **CLAIM**

The ornamental design for a bottle, as shown and described.

DESCRIPTION

FIG. 1 is a top, right side, and front perspective view of a bottle according to my new design.

FIG. 2 is a front elevational view thereof.

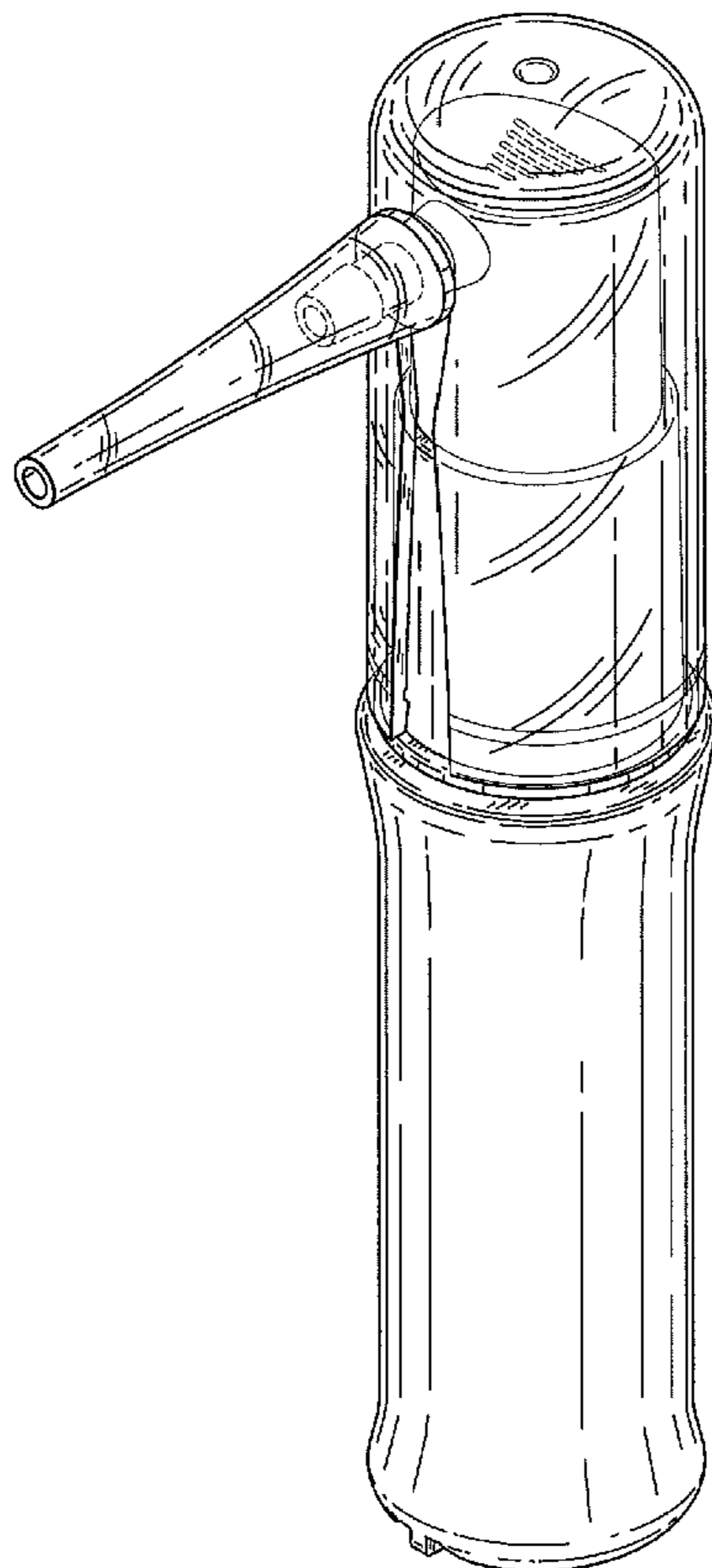
FIG. 3 is a rear elevational view thereof.

FIG. 4 is a right side elevational view thereof, the other side being a mirror image; and,

FIG. 5 is a top plan view thereof.

The broken lines are included for the purpose of illustrating portions of the bottle that form no part of the claimed design.

1 Claim, 4 Drawing Sheets



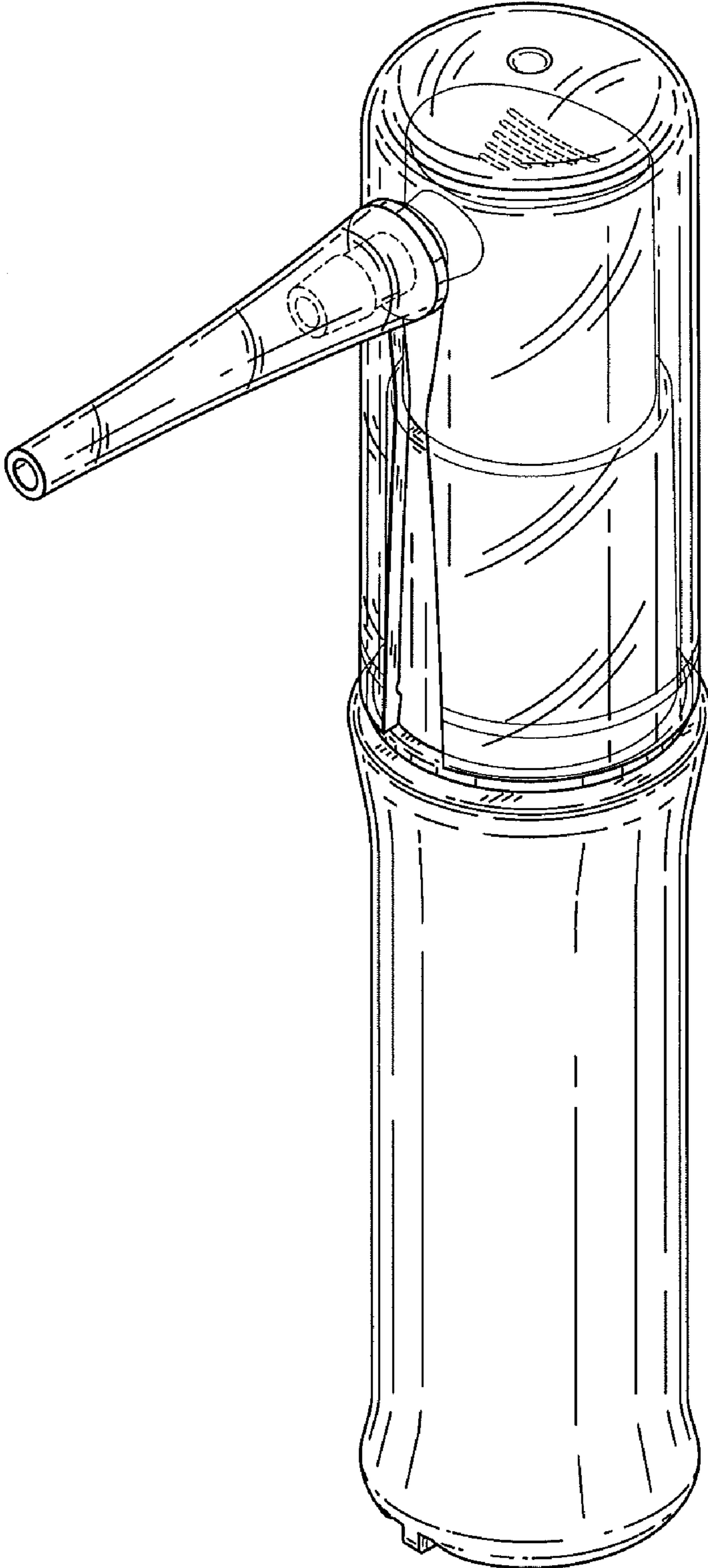


FIG. 1

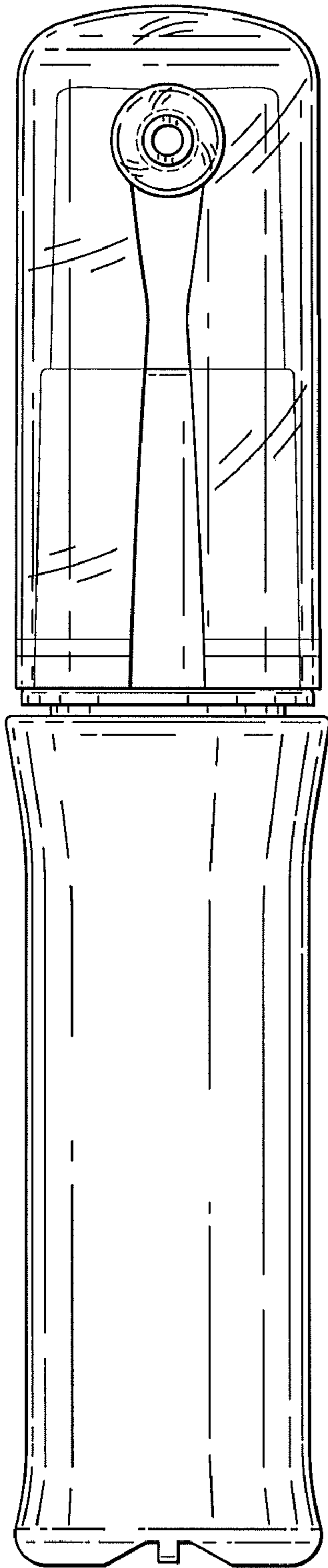


FIG. 2

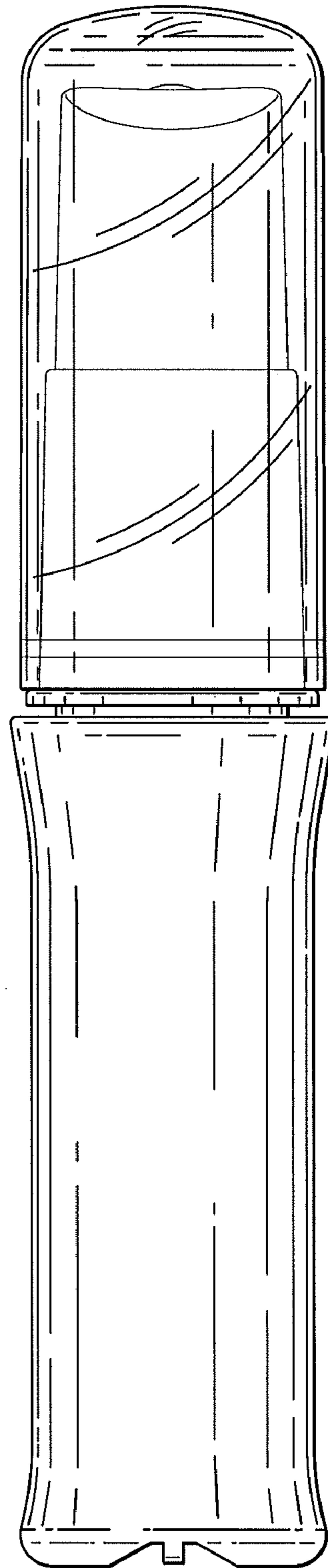


FIG. 3

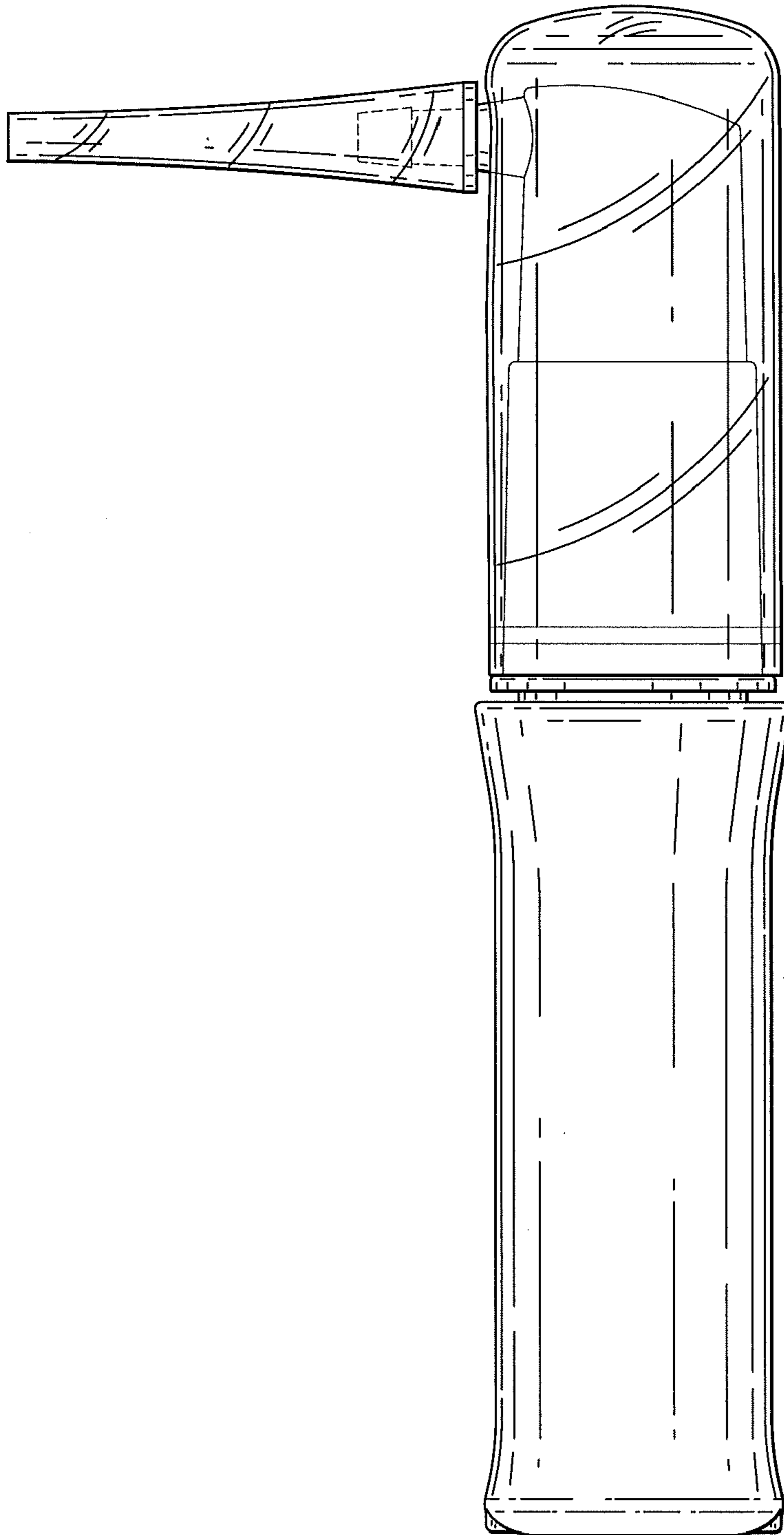


FIG. 4

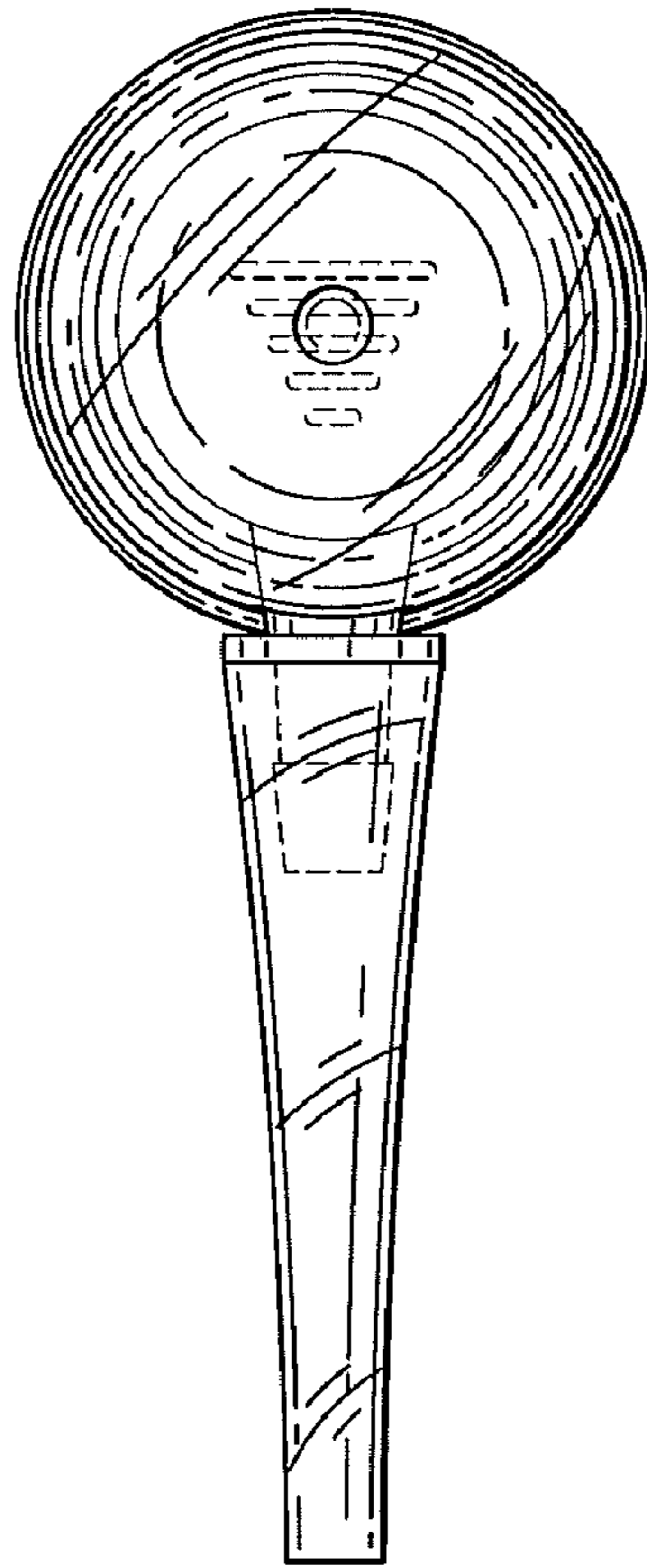


FIG. 5