



US00D638305S

(12) **United States Design Patent**
Brogan et al.

(10) **Patent No.:** **US D638,305 S**

(45) **Date of Patent:** **** *May 24, 2011**

(54) **CAR-SHAPED JUICE CONTAINER**

(76) Inventors: **Lawrence Brogan**, Cambridge, MA
(US); **Hugh Devlin**, Cambridge, MA
(US)

(*) Notice: This patent is subject to a terminal disclaimer.

(**) Term: **14 Years**

(21) Appl. No.: **29/348,526**

(22) Filed: **Jan. 15, 2010**

(51) **LOC (9) Cl.** **09-01**

(52) **U.S. Cl.** **D9/675; D21/549**

(58) **Field of Classification Search** D9/600,
D9/672-677, 414, 430-433; 206/457, 527,
206/776, 830; 220/890; D21/548-549

See application file for complete search history.

(56) **References Cited**

U.S. PATENT DOCUMENTS

D349,632 S * 8/1994 Nicholson et al. D9/675
D386,399 S * 11/1997 Stokely et al. D9/675

D408,211 S * 4/1999 Cordell D9/675
D415,800 S * 10/1999 Norton D21/549
D531,516 S * 11/2006 Sellars D9/675
D536,260 S * 2/2007 Young et al. D9/675
D571,616 S * 6/2008 Daniels, III et al. D21/549

* cited by examiner

Primary Examiner — Sandra Morris

(74) *Attorney, Agent, or Firm* — Lambert and Associates;
Gary E. Lambert; Adam Bruno

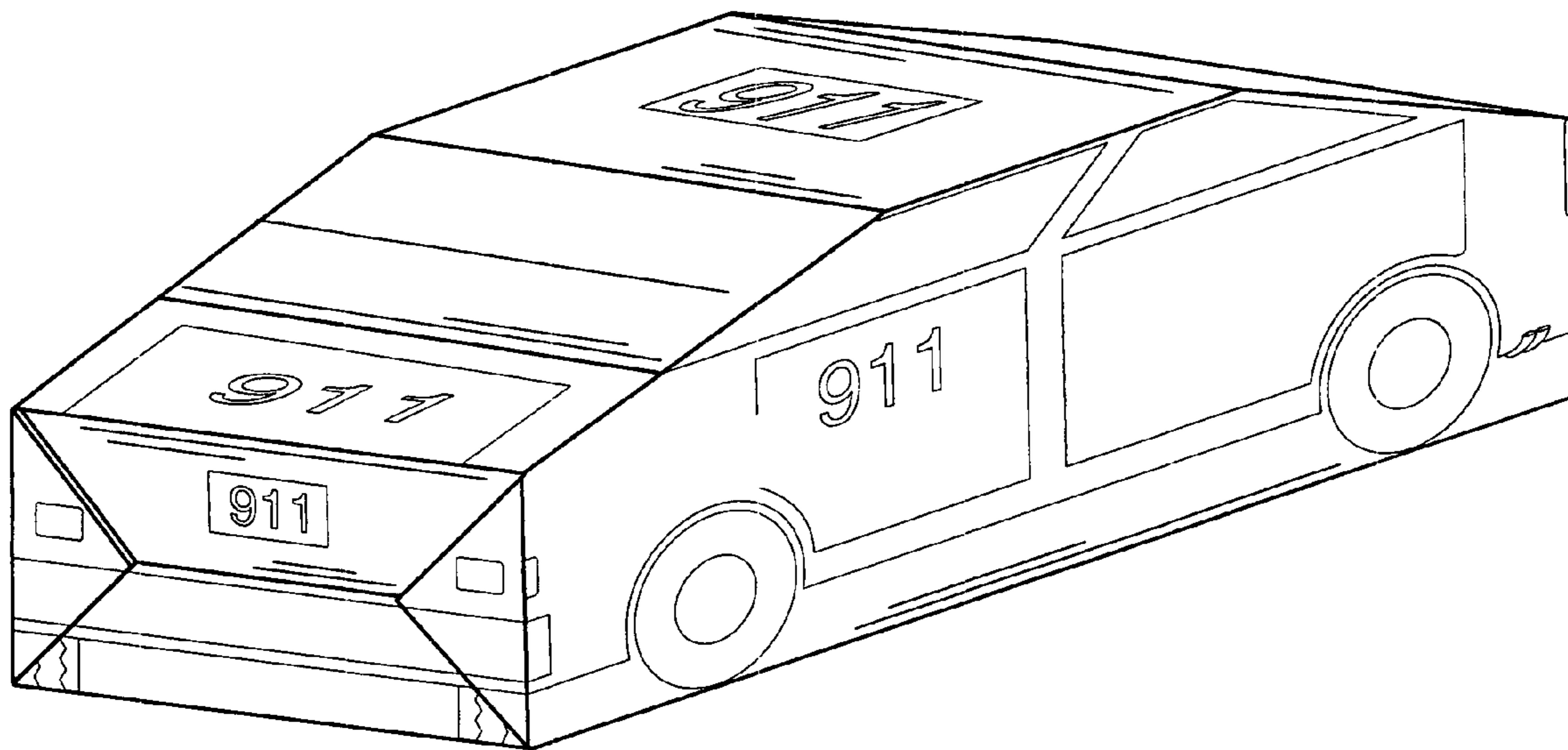
(57) **CLAIM**

The ornamental design for a car-shaped juice container, as shown and described.

DESCRIPTION

FIG. 1 is an isometric view of the car-shaped juice container, which embodies my new design;
FIG. 2 is a left side elevational view thereof;
FIG. 3 is a right side elevational view thereof;
FIG. 4 is a top plan view thereof;
FIG. 5 is a bottom plan view thereof;
FIG. 6 is a front view thereof; and,
FIG. 7 is a rear view thereof.

1 Claim, 4 Drawing Sheets



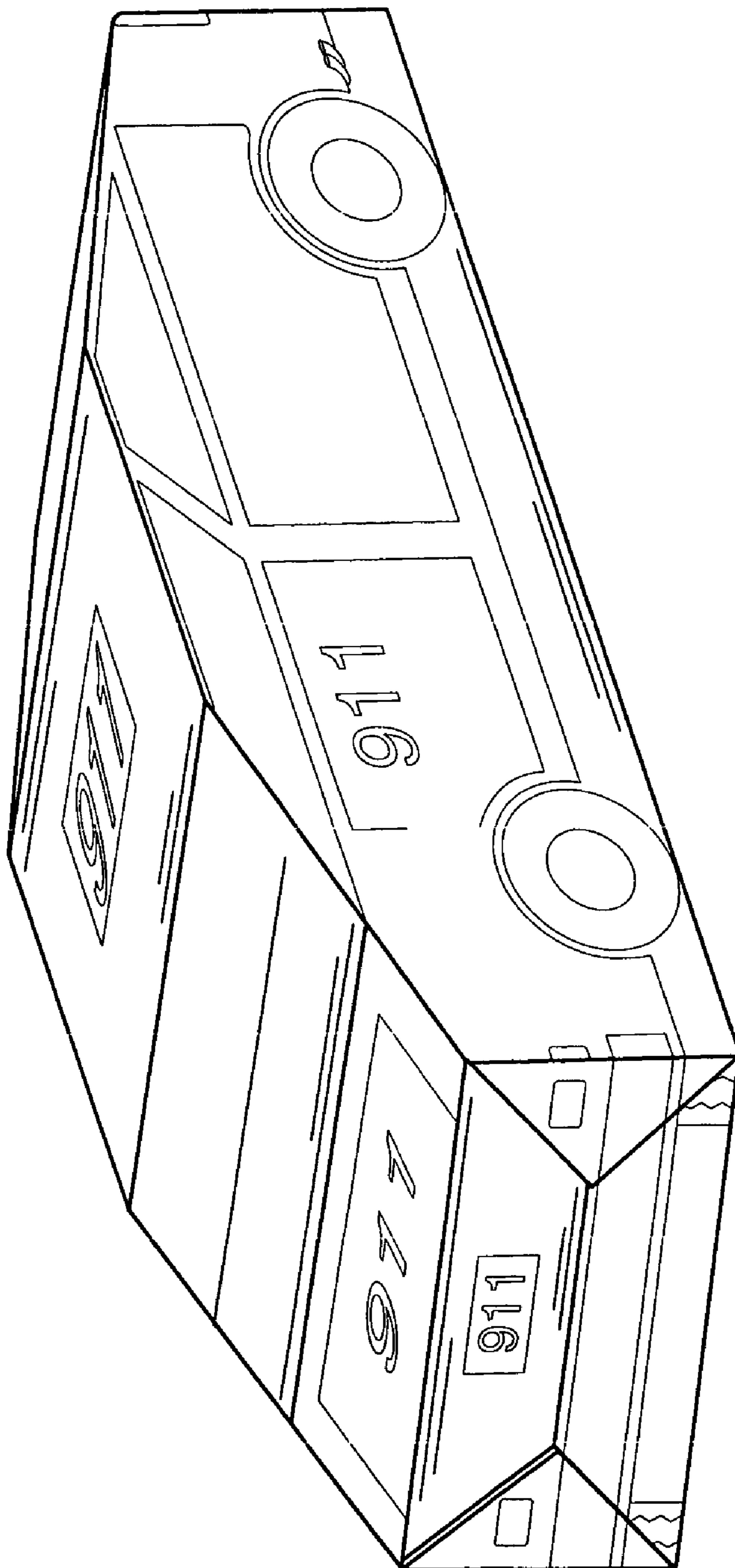


FIG. 1

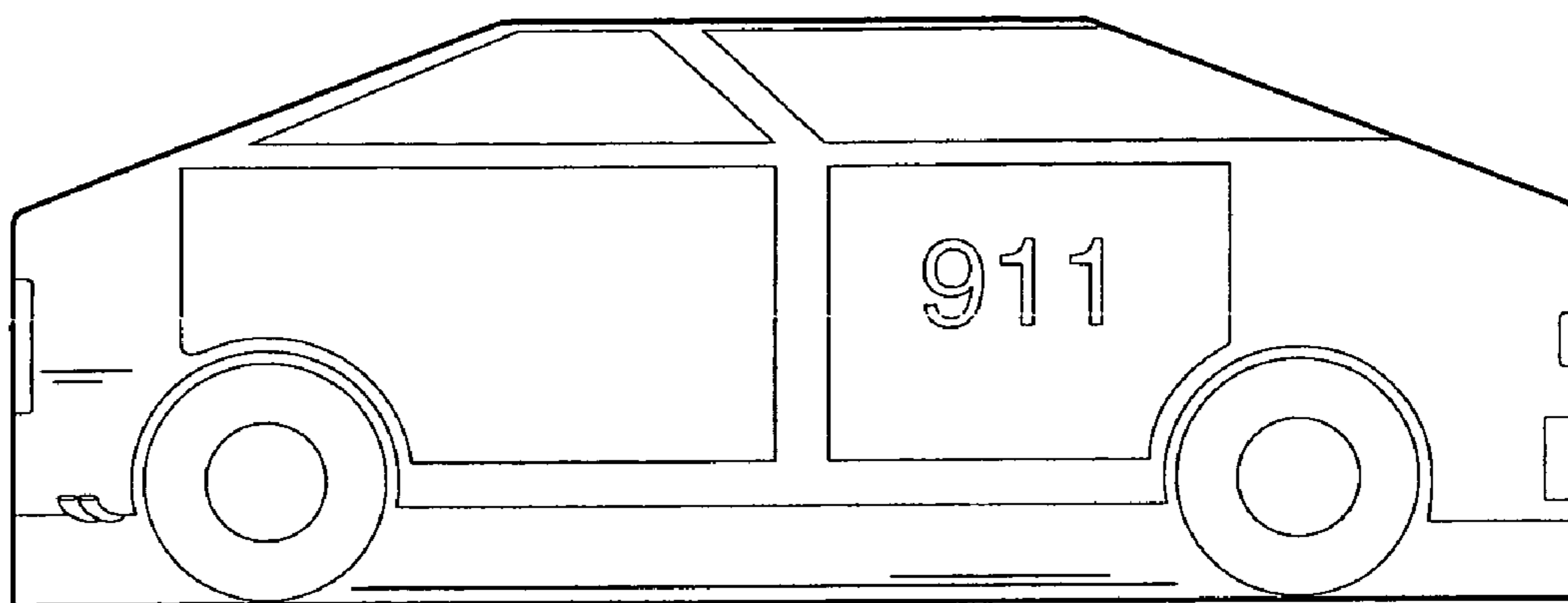


FIG. 2

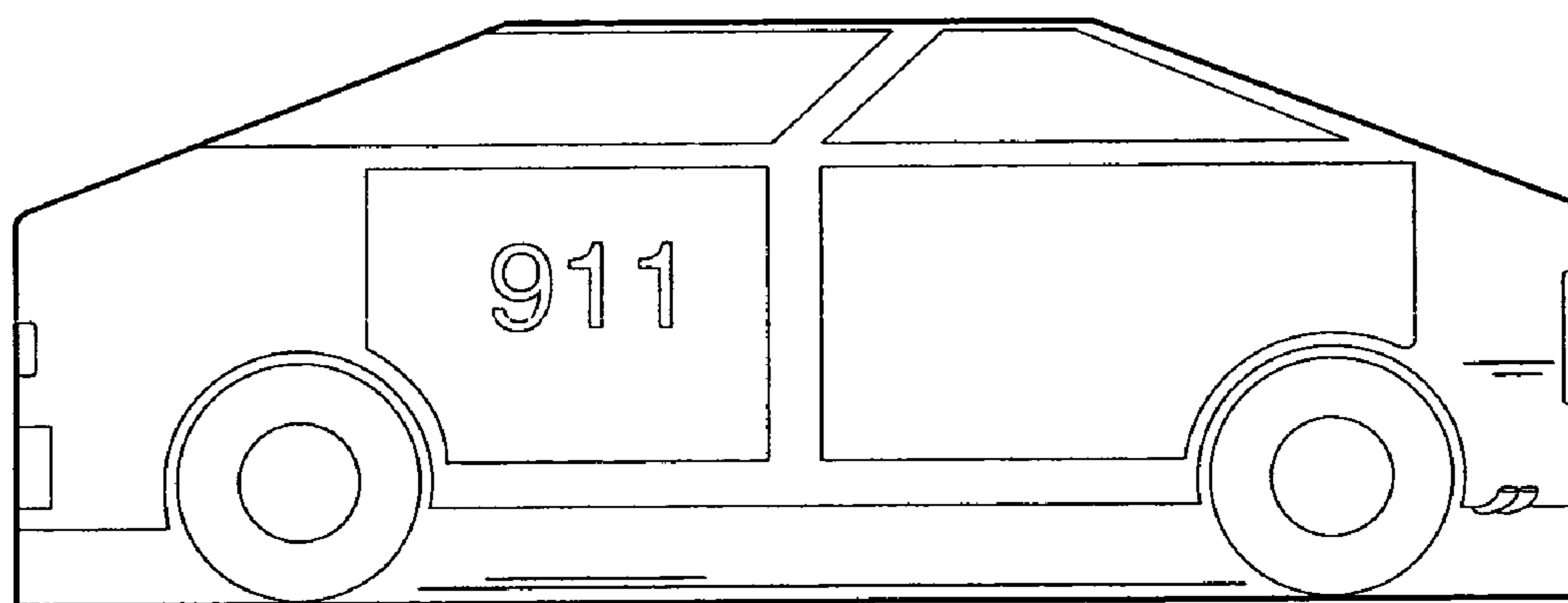


FIG. 3

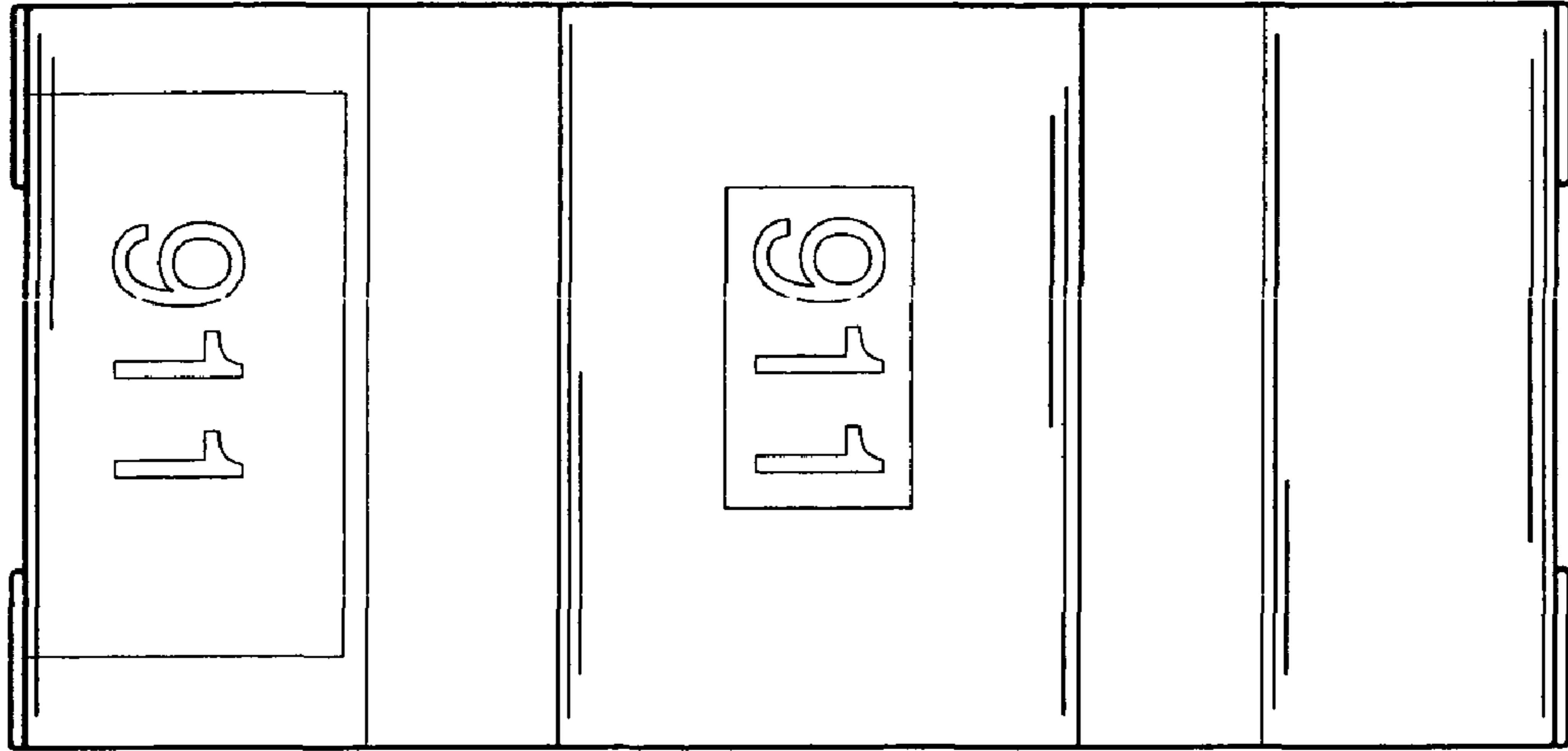


FIG. 4

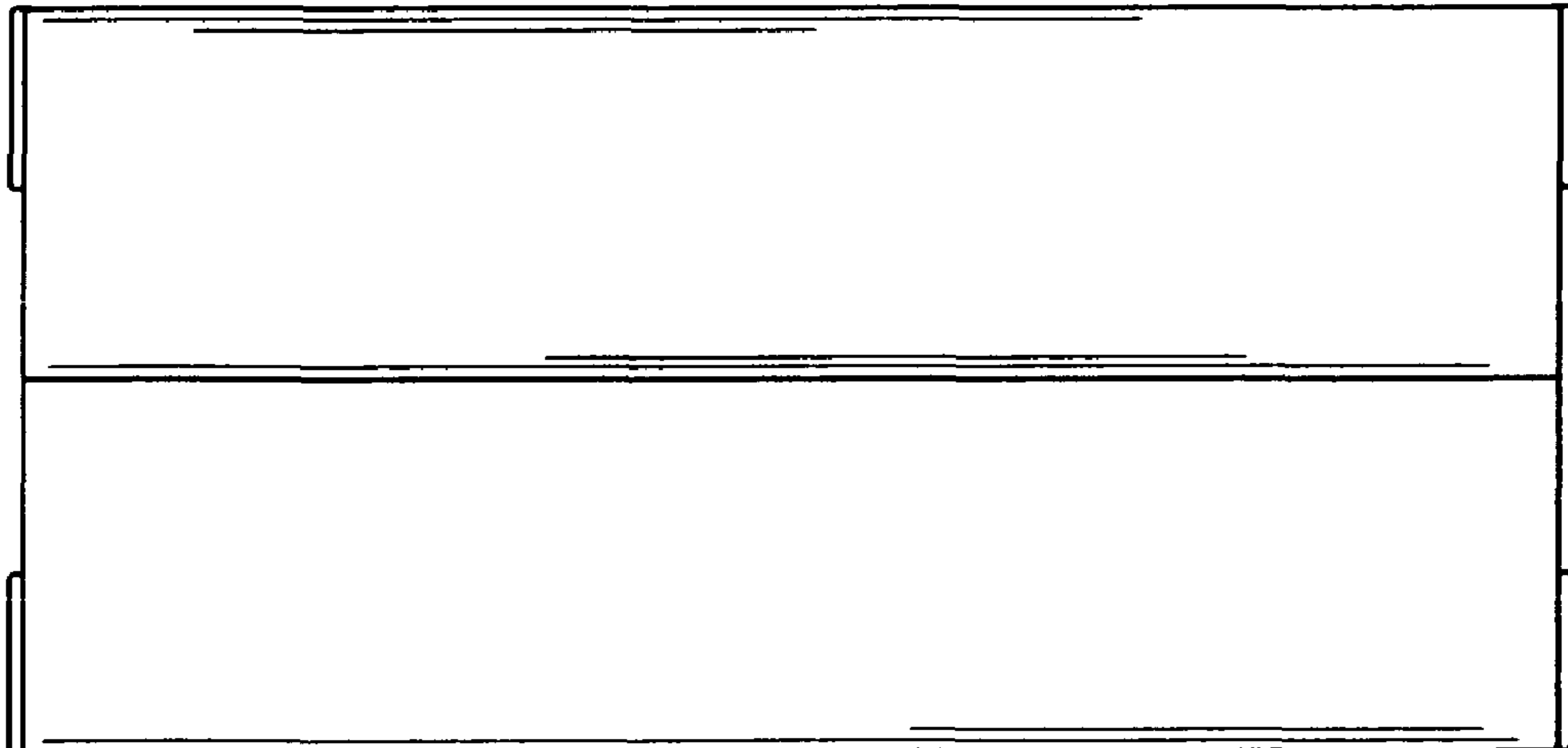


FIG. 5

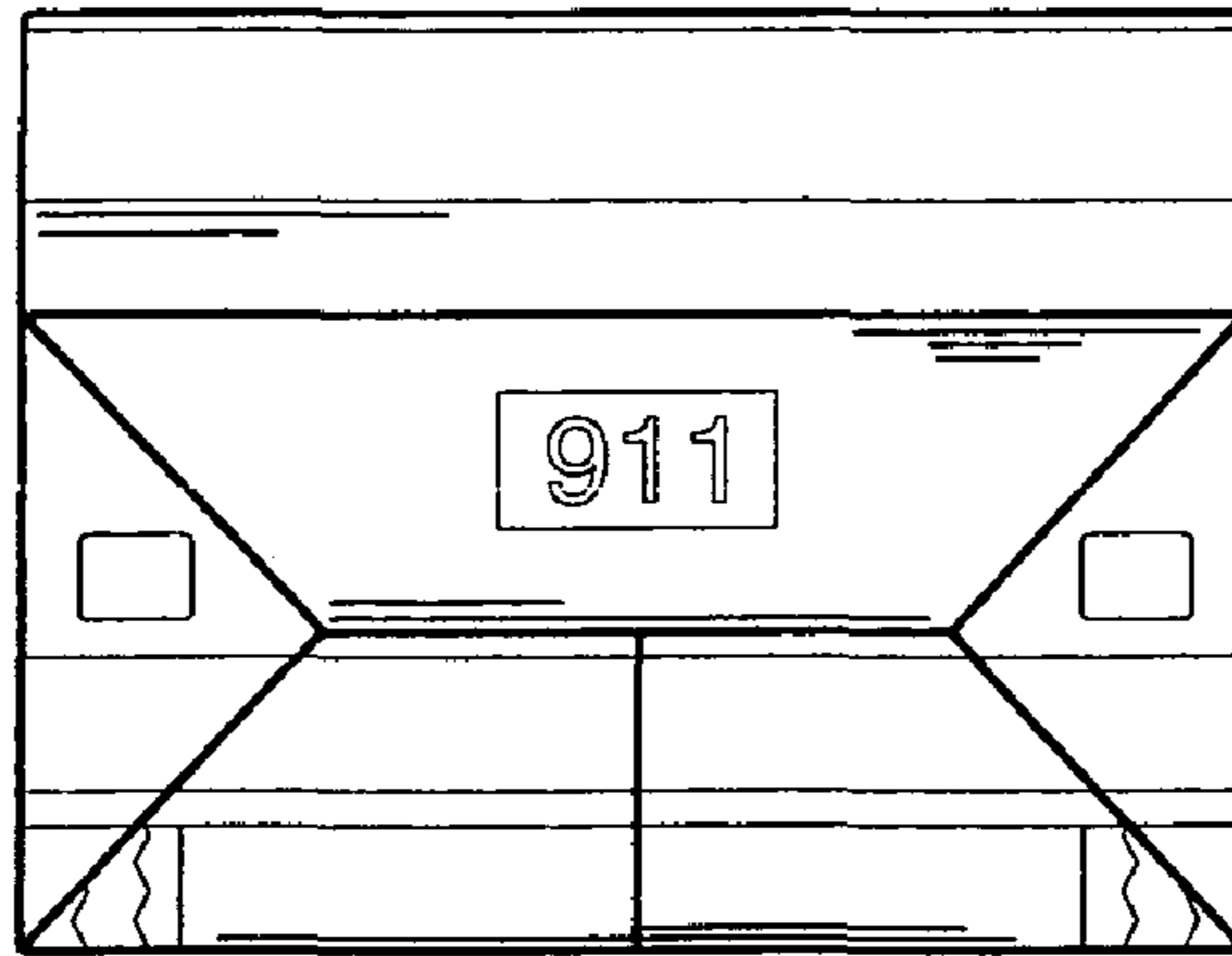


FIG. 6

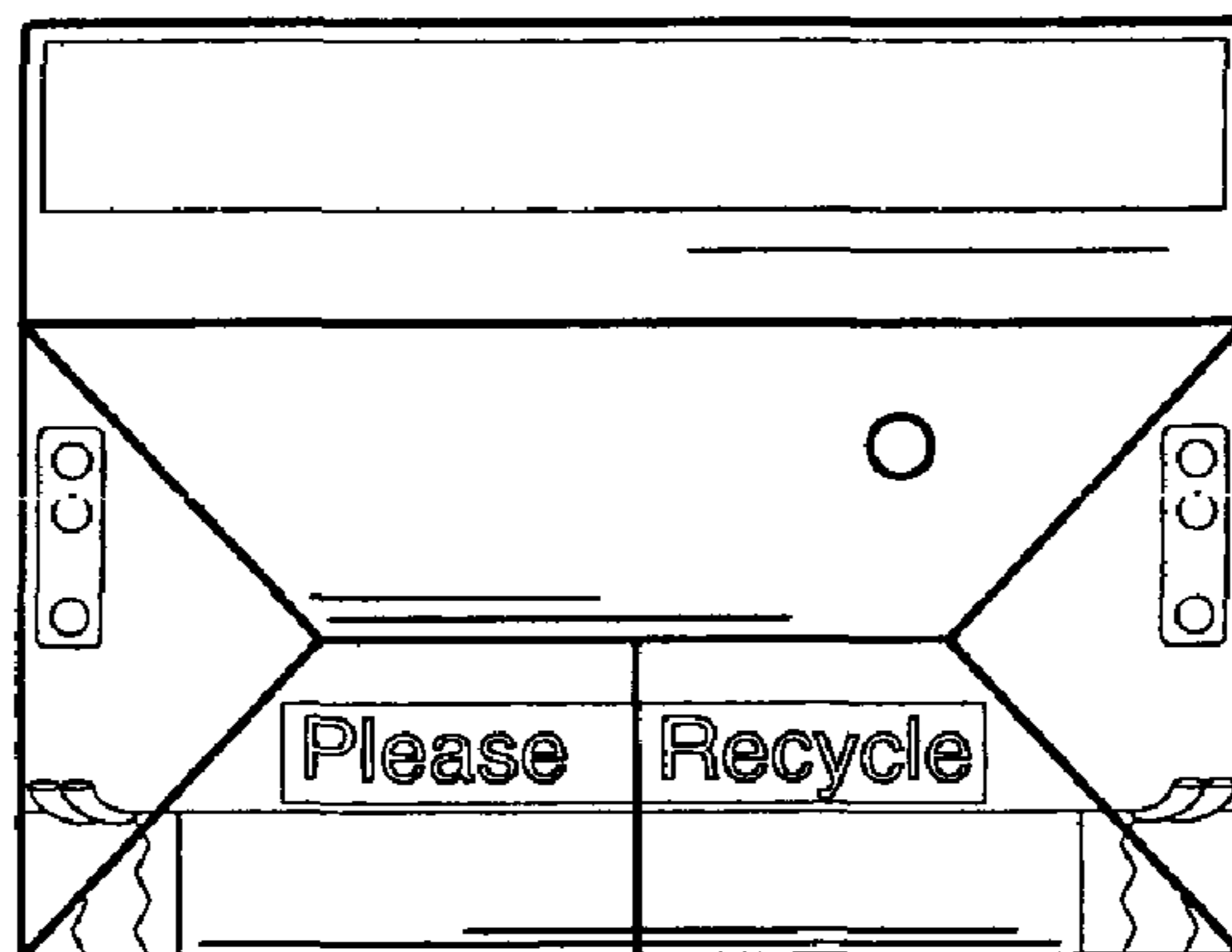


FIG. 7