



US00D638300S

(12) **United States Design Patent**  
**L'Abbate**

(10) **Patent No.:** **US D638,300 S**

(45) **Date of Patent:** **\*\* May 24, 2011**

(54) **FLASK ASSEMBLY**

(75) Inventor: **Frederico de Carvalho L'Abbate**, São Paulo (BR)

(73) Assignee: **Natura Cosméticos S.A.**, Itapeverica da Serra-SP (BR)

(\*\*) Term: **14 Years**

(21) Appl. No.: **29/336,006**

(22) Filed: **Apr. 27, 2009**

(30) **Foreign Application Priority Data**

Oct. 29, 2008 (BR) ..... DI6804781-9

(51) **LOC (9) Cl.** ..... **09-01**

(52) **U.S. Cl.** ..... **D9/529**

(58) **Field of Classification Search** ..... D9/502-504,  
D9/516, 529, 530, 537, 540, 549, 434, 435;  
215/381-385; 220/662, 669; D28/4, 7, 8,  
D28/73, 76, 91

See application file for complete search history.

(56) **References Cited**

U.S. PATENT DOCUMENTS

D233,879 S \* 12/1974 Howard ..... D32/52

(Continued)

*Primary Examiner* — Stella M Reid

*Assistant Examiner* — Keli L Hill

(74) *Attorney, Agent, or Firm* — B. Aaron Schulman; Stites & Harbison, PLLC

(57) **CLAIM**

The ornamental design for a flask assembly, as shown and described.

**DESCRIPTION**

FIG. 1 is a top, front, right side perspective view of a flask assembly, showing my new design.

FIG. 2 is a back view thereof.

FIG. 3 is a front view thereof.

FIG. 4 is a right side view thereof.

FIG. 5 is a left side view thereof.

FIG. 6 is a top view thereof.

FIG. 7 is a bottom view thereof.

FIG. 8 is a top, front, right side perspective view of the refill inside the flask assembly, showing my new design.

FIG. 9 is a back view thereof.

FIG. 10 is a front view thereof.

FIG. 11 is a right side view thereof.

FIG. 12 is a left side view thereof.

FIG. 13 is a top view thereof.

FIG. 14 is a bottom view thereof.

FIG. 15 is a top, front, right side perspective view of the cap of the flask assembly, showing my new design.

FIG. 16 is a back view thereof.

FIG. 17 is a front view thereof.

FIG. 18 is a right side view thereof.

FIG. 19 is a left side view thereof.

FIG. 20 is a top view thereof.

FIG. 21 is a bottom view thereof.

FIG. 22 is a top, front, right side perspective view of the flask base of the flask assembly, showing my new design.

FIG. 23 is a back view thereof.

FIG. 24 is a front view thereof.

FIG. 25 is a right side view thereof.

FIG. 26 is a left side view thereof.

FIG. 27 is a top view thereof.

FIG. 28 is a bottom view thereof.

FIG. 29 is a top, front, right side perspective view of the inner cap inside the flask assembly, showing my new design.

FIG. 30 is a back view thereof.

FIG. 31 is a front view thereof.

FIG. 32 is a right side view thereof.

FIG. 33 is a left side view thereof.

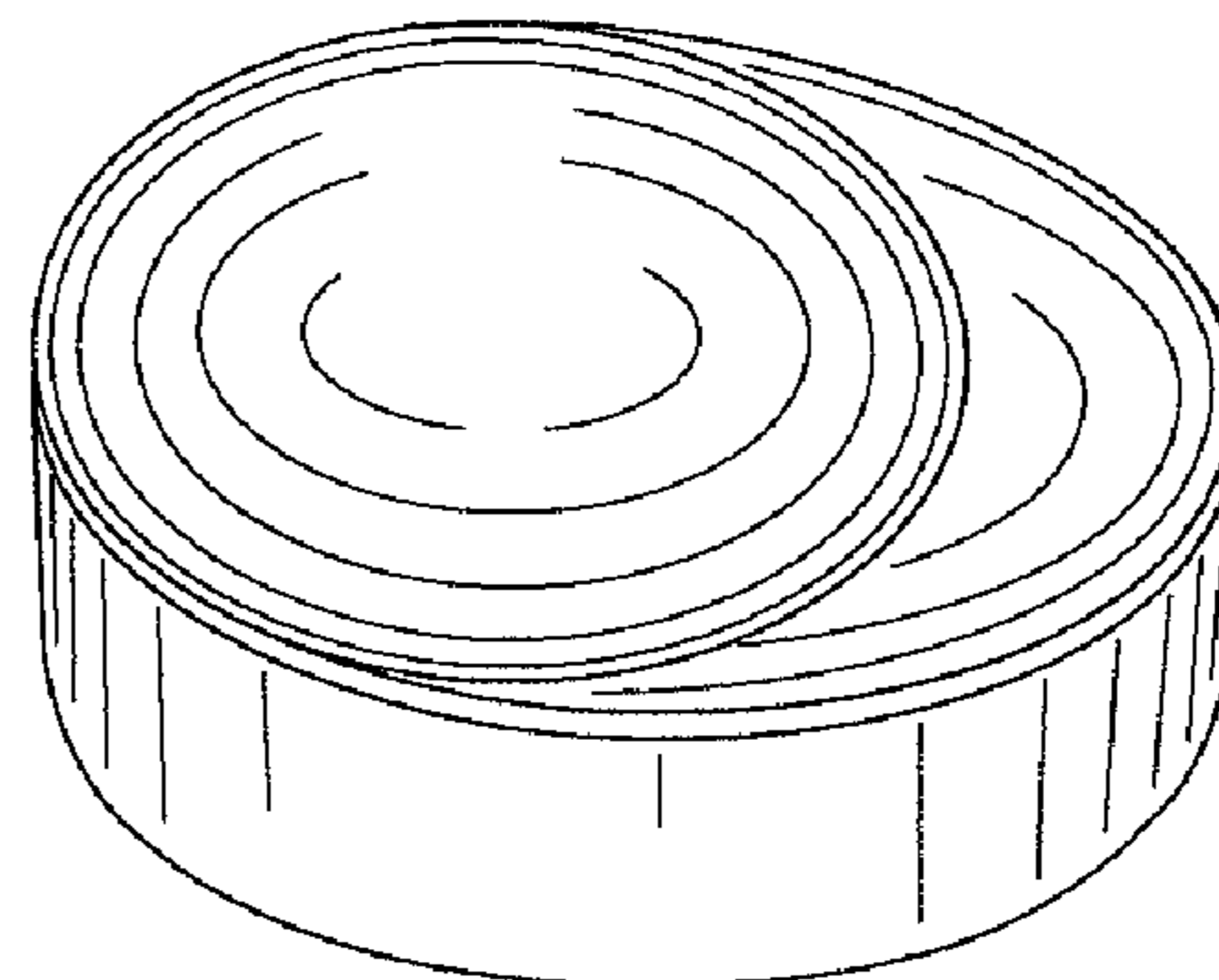
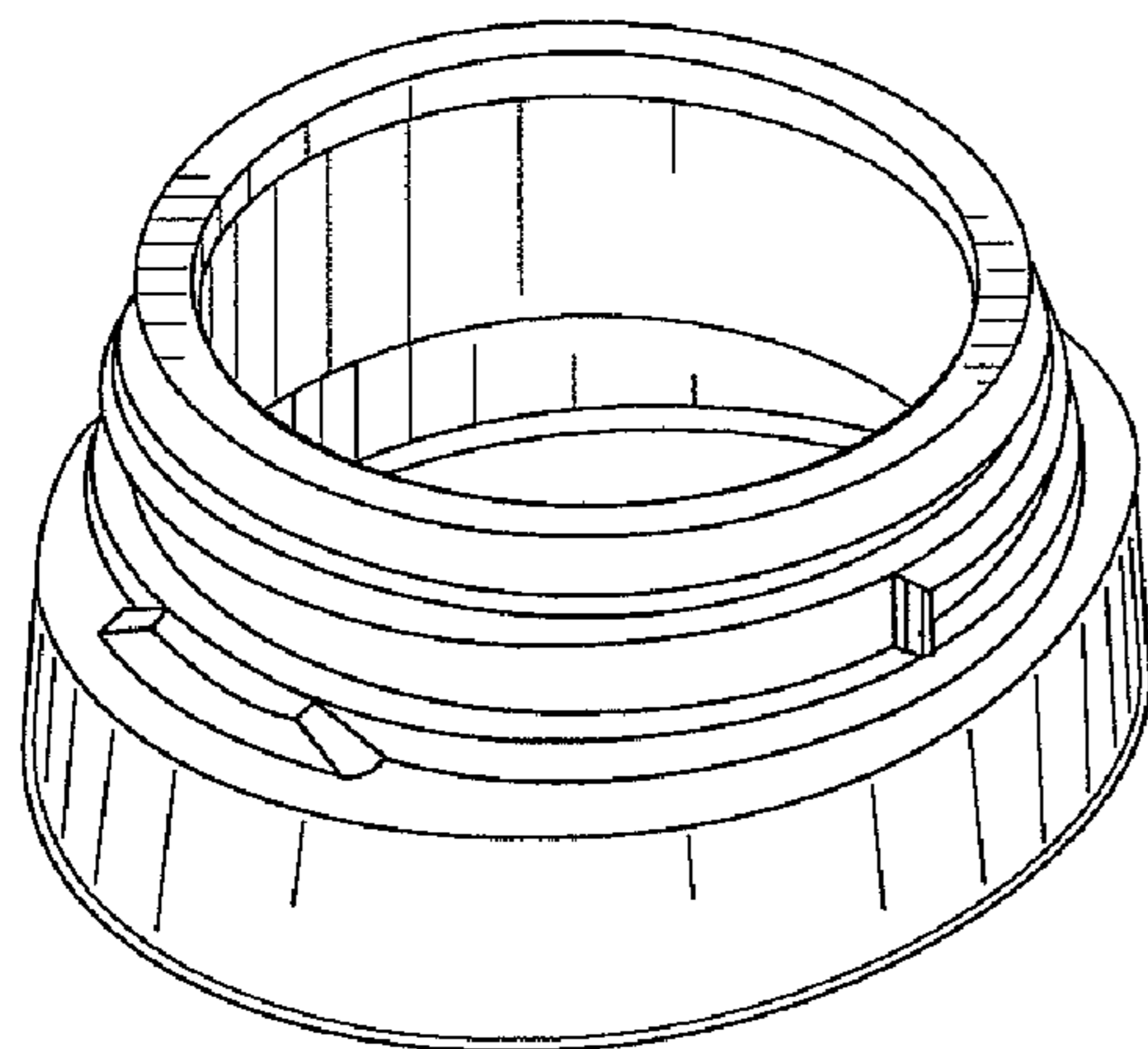
FIG. 34 is a top view thereof; and,

FIG. 35 is a bottom view thereof.

Portions of the flask assembly shown in broken lines form no part of the claimed design.

The claim comprises a fully assembled flask with multiple internal components that have been shown separately in the disclosure.

**1 Claim, 5 Drawing Sheets**



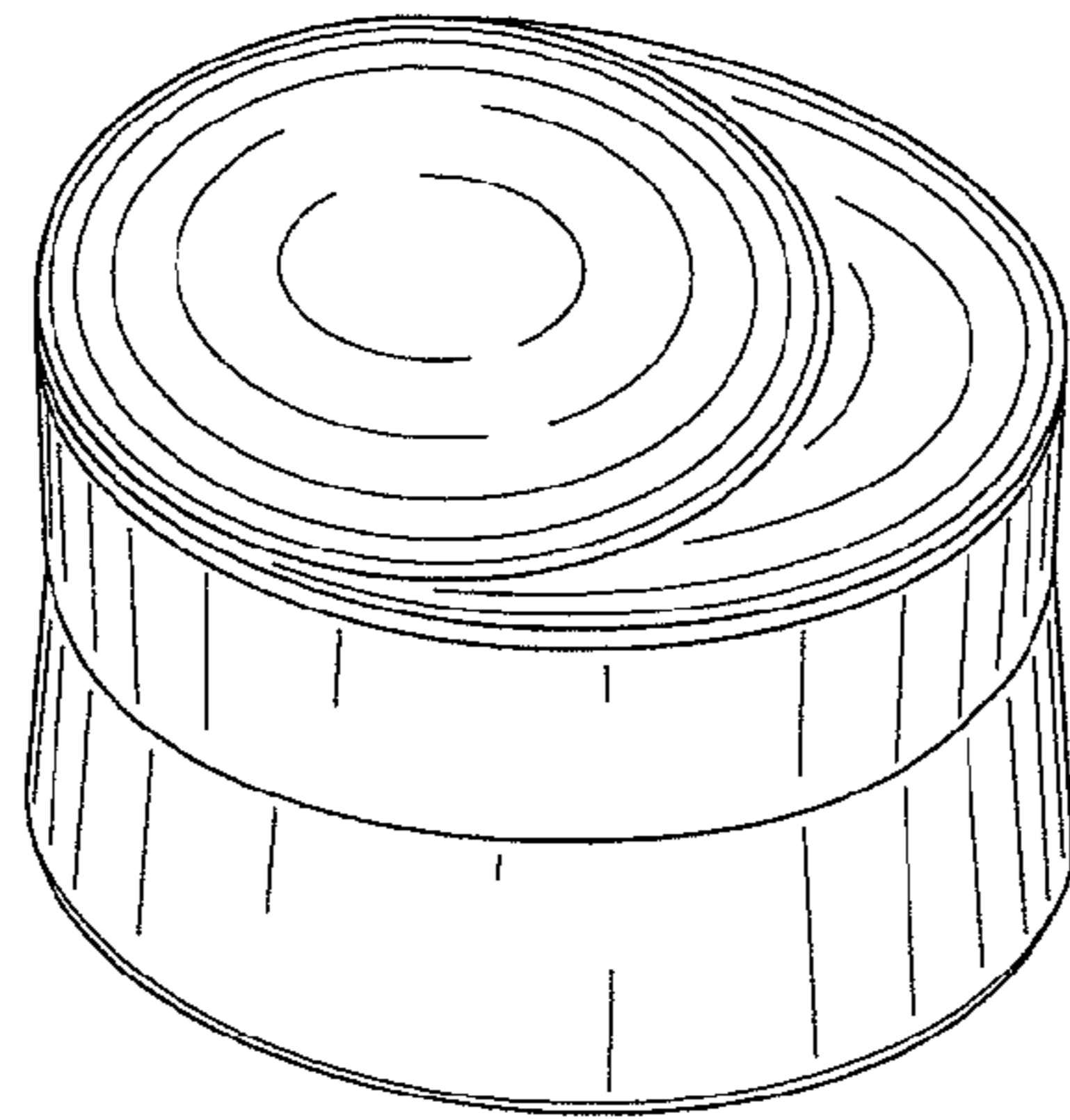
# US D638,300 S

Page 2

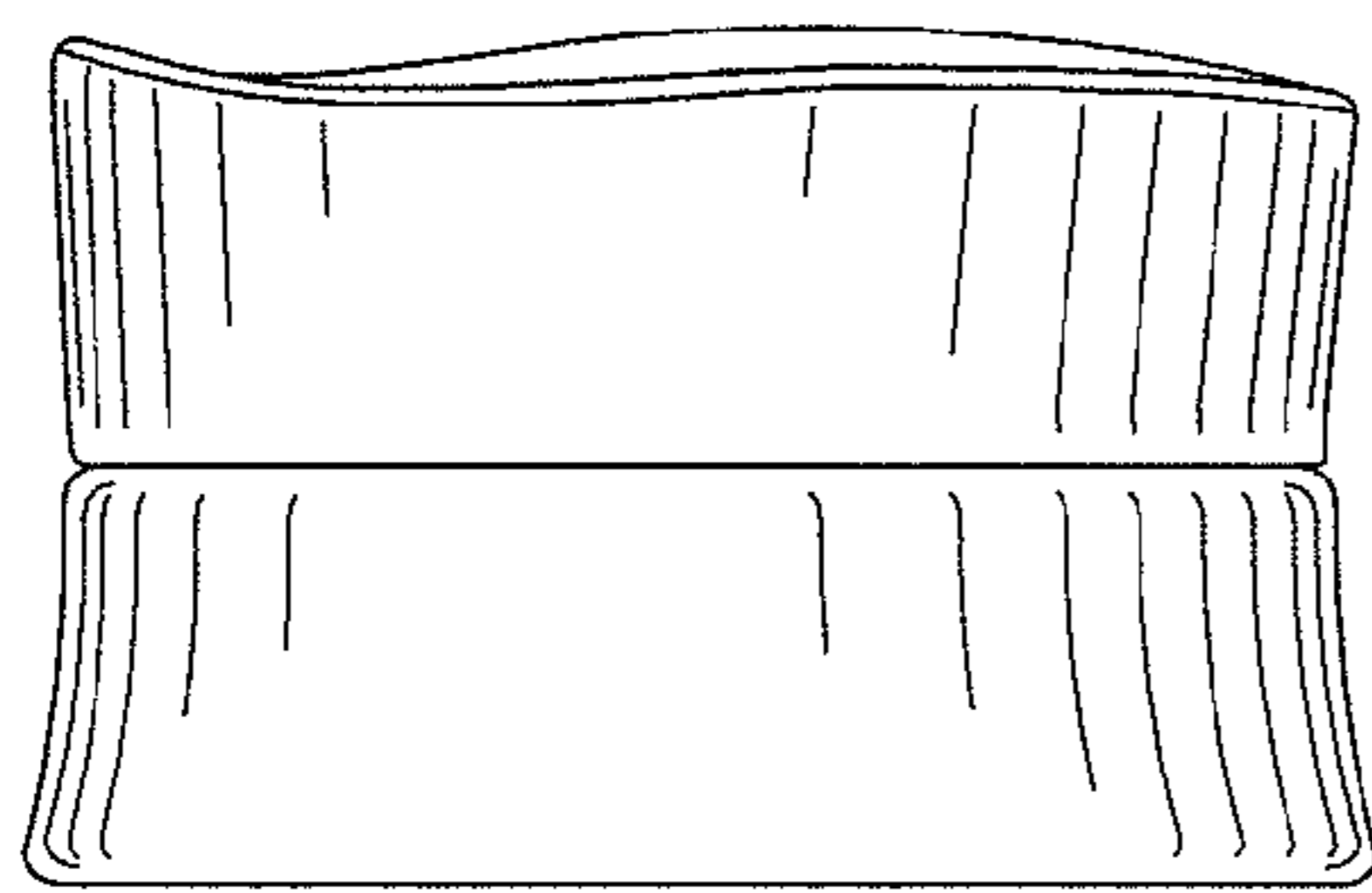
## U.S. PATENT DOCUMENTS

D234,915 S *	4/1975	Freedman .....	D9/572	D525,131 S *	7/2006	Davies et al. ....	D9/504
D237,361 S *	10/1975	Picker .....	D9/503	D532,556 S *	11/2006	Noh .....	D28/76
D286,508 S *	11/1986	Tilden .....	D9/435	D532,935 S *	11/2006	Kostow .....	D28/76
D307,115 S *	4/1990	Waymack .....	D9/447	D532,937 S *	11/2006	Noh .....	D28/76
D470,273 S *	2/2003	Revivo .....	D28/76	D555,835 S *	11/2007	Song .....	D28/76
D476,893 S *	7/2003	Pinnavaia .....	D9/454	D560,495 S *	1/2008	Mettler et al. ....	D9/504
D477,225 S *	7/2003	Pinnavaia .....	D9/454	D588,011 S *	3/2009	Shimizu .....	D9/552
D480,307 S *	10/2003	Canamasas Puigbo .....	D9/504	D588,916 S *	3/2009	DeMarco .....	D9/504
D483,671 S *	12/2003	Pinnavaia .....	D9/500	D592,956 S *	5/2009	Thiellier .....	D9/504
D484,644 S *	12/2003	Noh .....	D28/76	D595,570 S *	7/2009	Moretti .....	D9/434
D485,016 S *	1/2004	Noh .....	D28/76	D595,577 S *	7/2009	Uneno .....	D9/504
D485,017 S *	1/2004	Noh .....	D28/76	D595,578 S *	7/2009	Del Tedesco Zamberlan et al. ....	D9/504
D486,393 S *	2/2004	Chuang .....	D9/503	D601,022 S *	9/2009	Zamberlan et al. ....	D9/503
D493,721 S *	8/2004	Puigbo .....	D9/504	D610,905 S *	3/2010	Jones .....	D9/434
D498,424 S *	11/2004	Moretti .....	D9/560	D611,354 S *	3/2010	Usui et al. ....	D9/529
D504,542 S *	4/2005	Noh .....	D28/76	D612,954 S *	3/2010	Perko .....	D25/122
D505,625 S *	5/2005	Servaux et al. ....	D9/560	D616,748 S *	6/2010	Nakamura et al. ....	D9/503
D509,434 S *	9/2005	Haruta .....	D9/504	2005/0092343 A1 *	5/2005	Byun .....	132/293
D511,971 S *	11/2005	Moretti .....	D9/560				

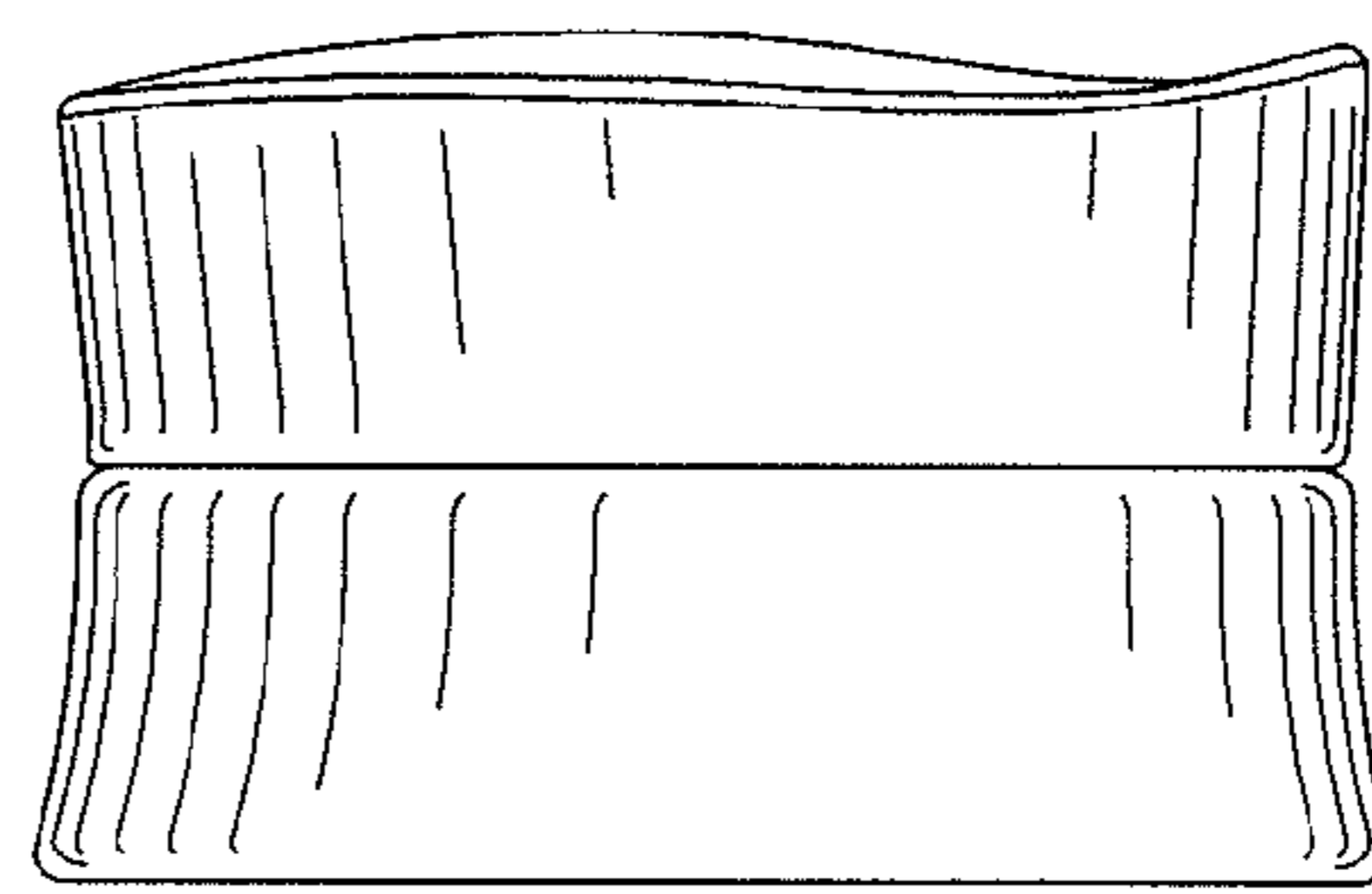
\* cited by examiner



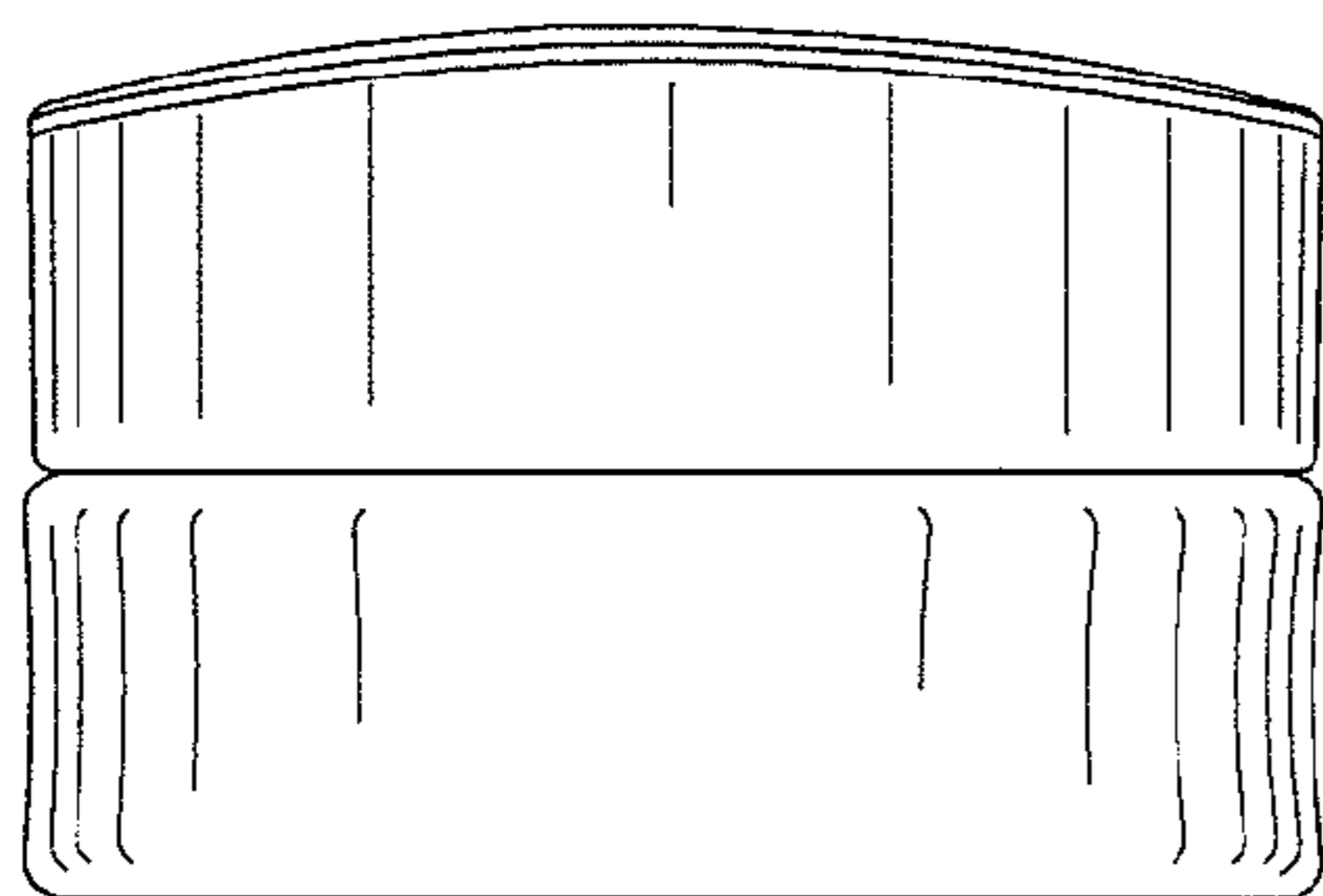
*Fig. 1*



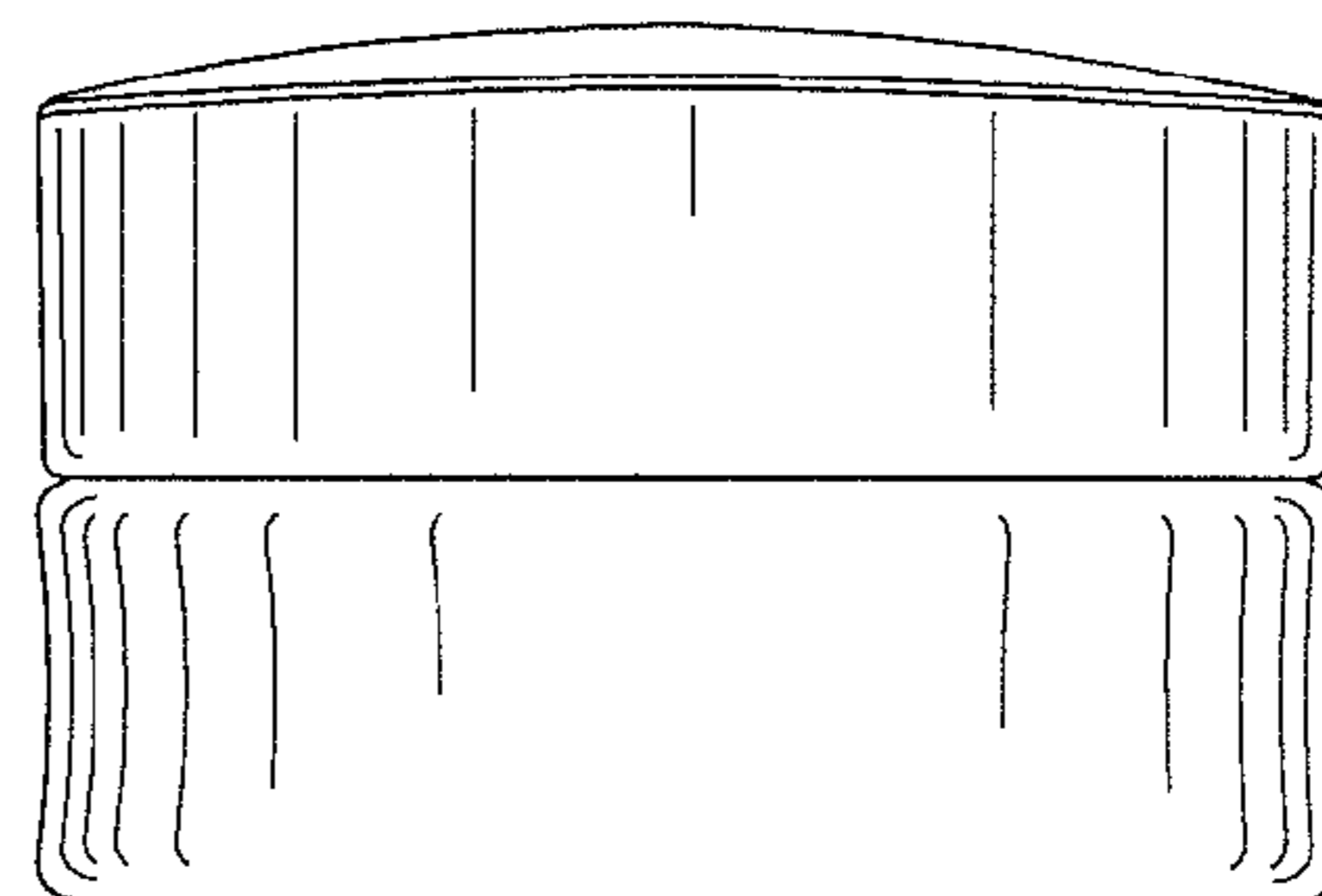
*Fig. 2*



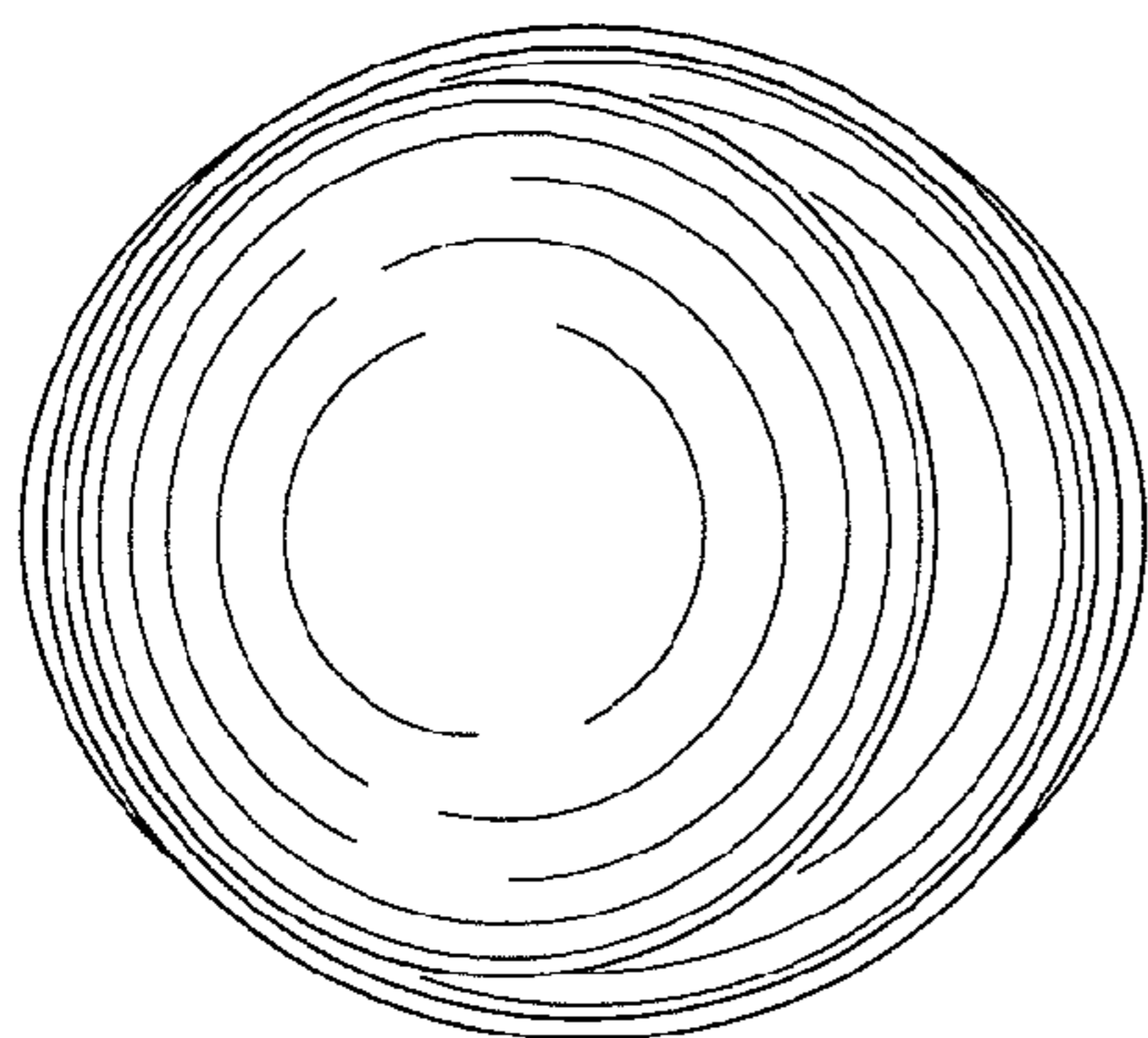
*Fig. 3*



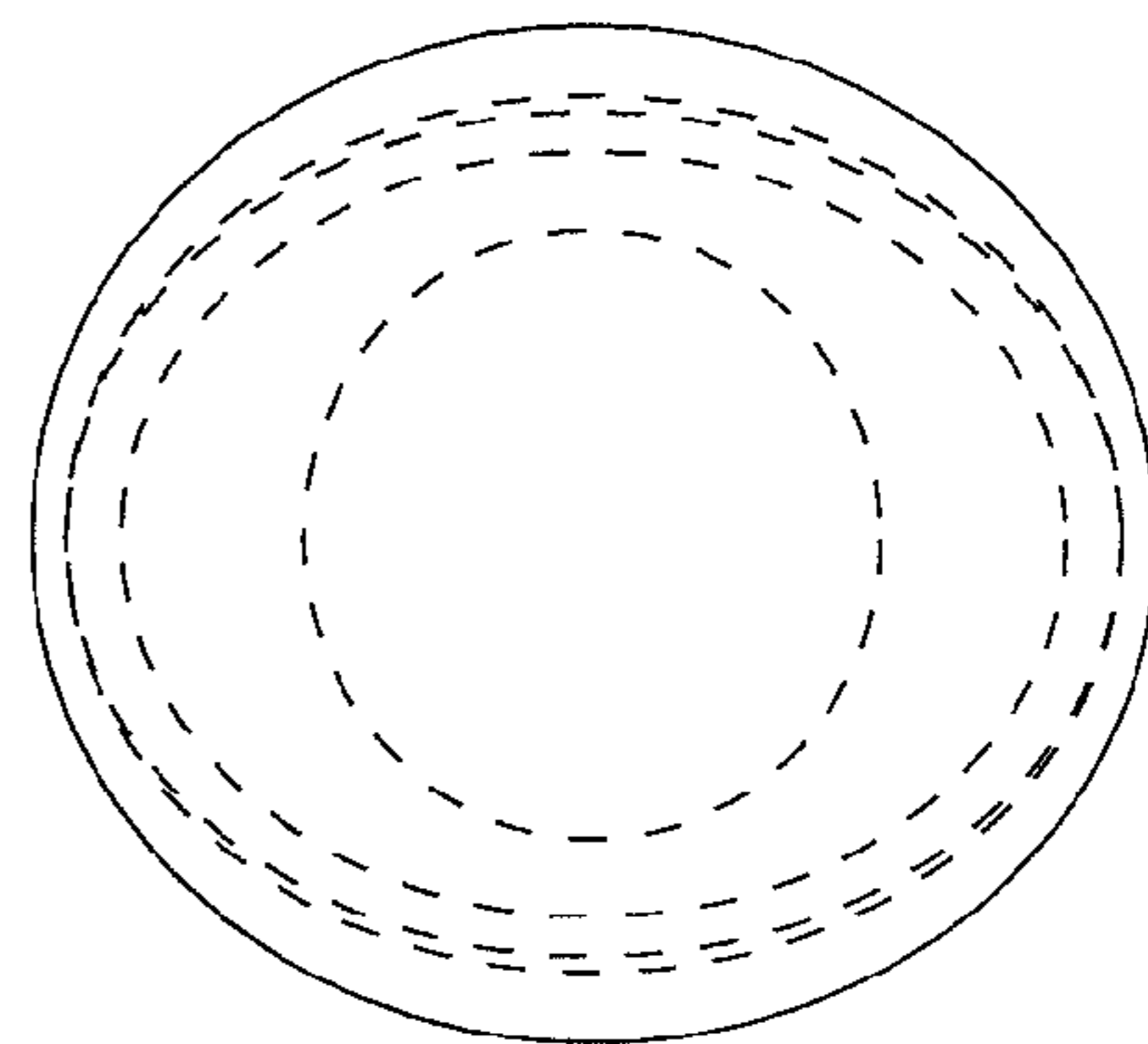
*Fig. 4*



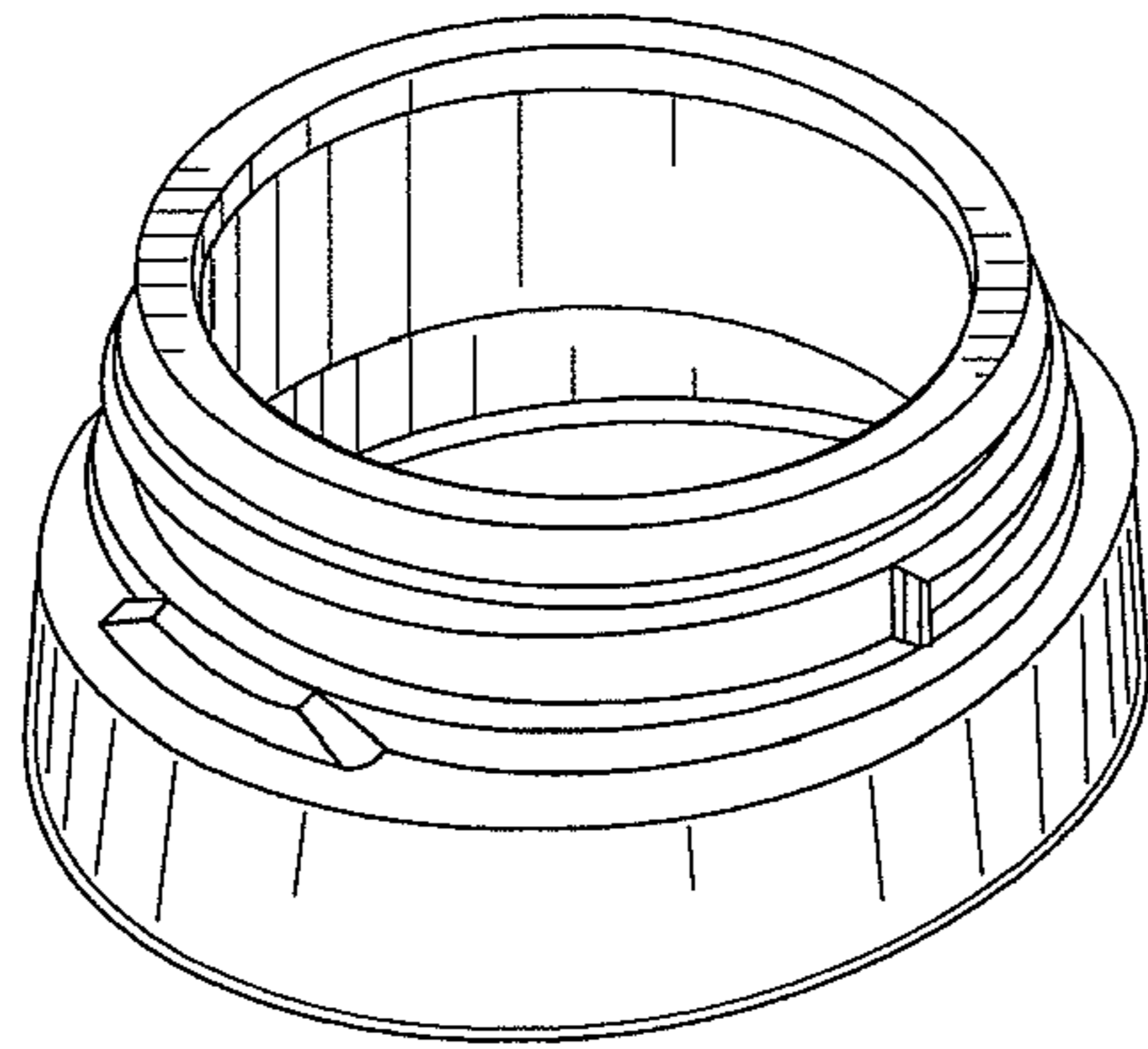
*Fig. 5*



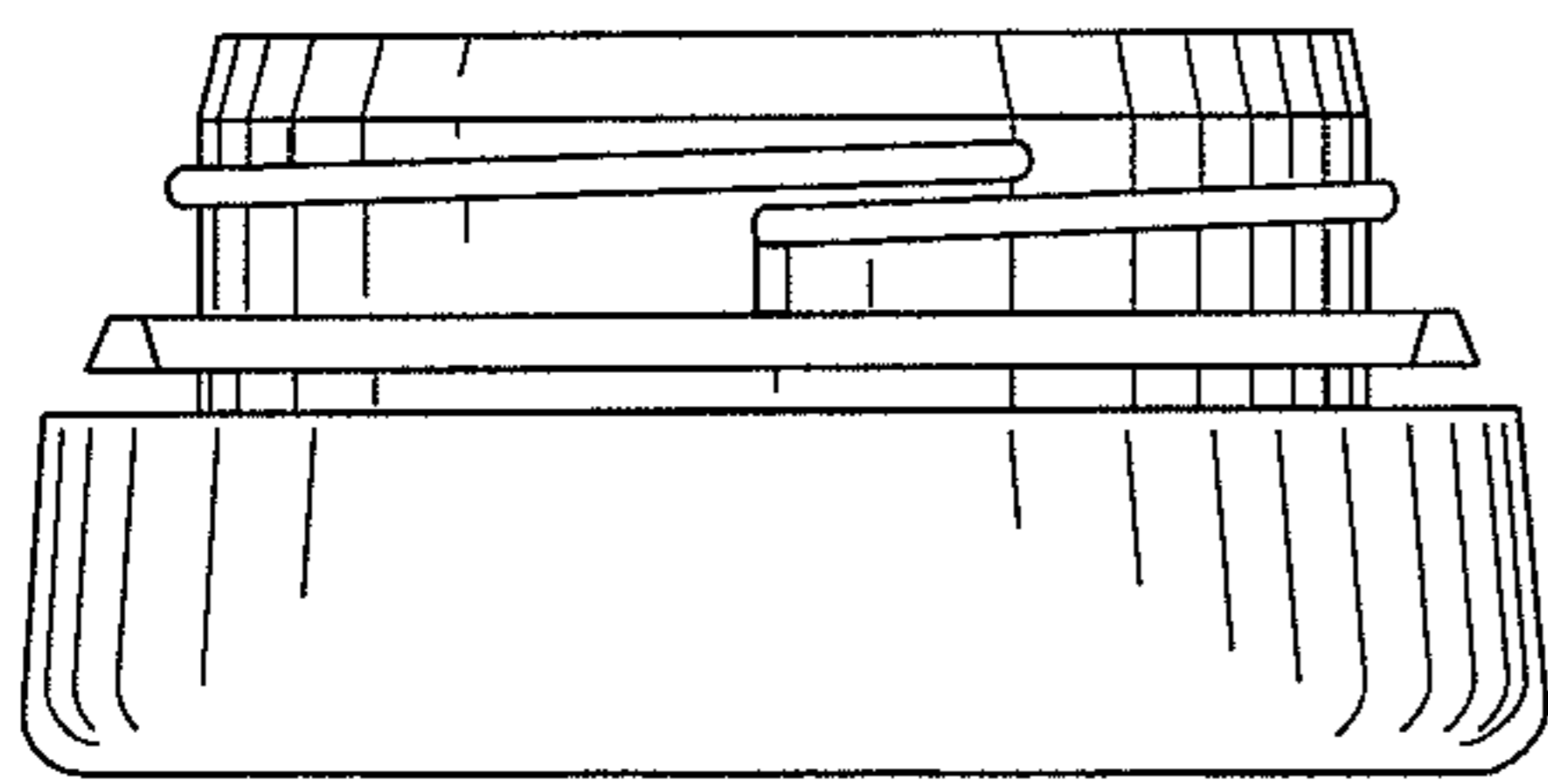
*Fig. 6*



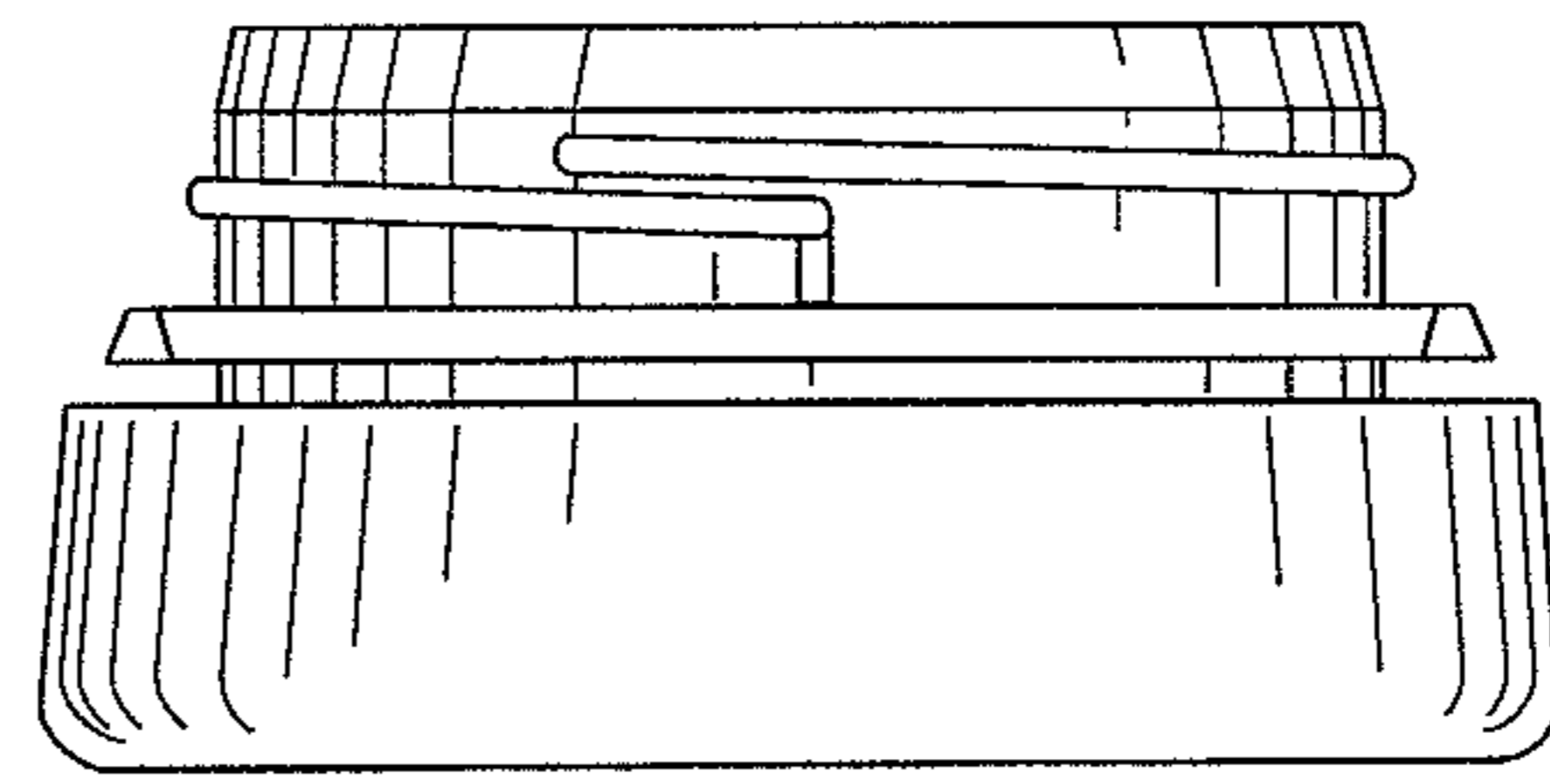
*Fig. 7*



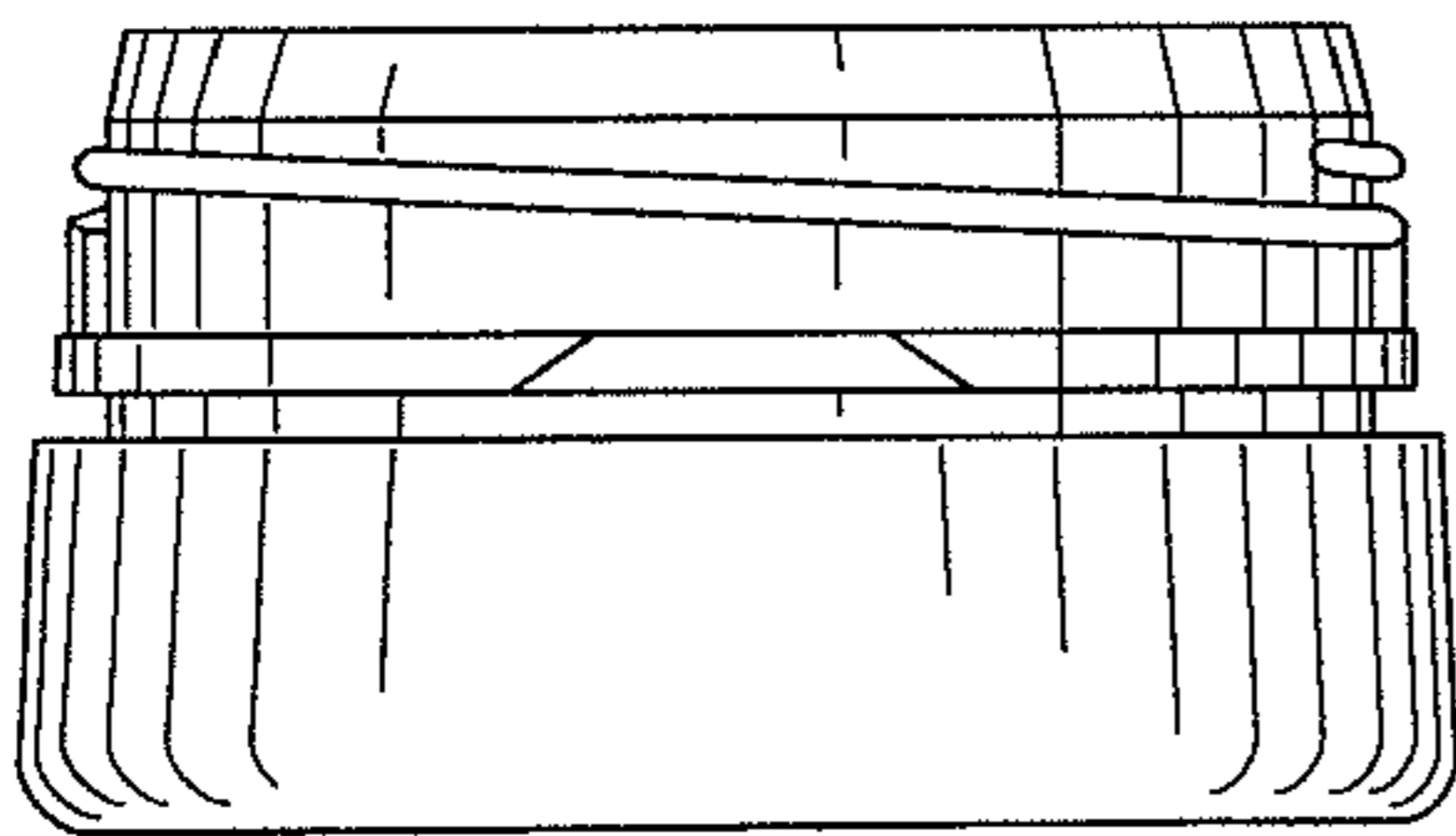
*Fig. 8*



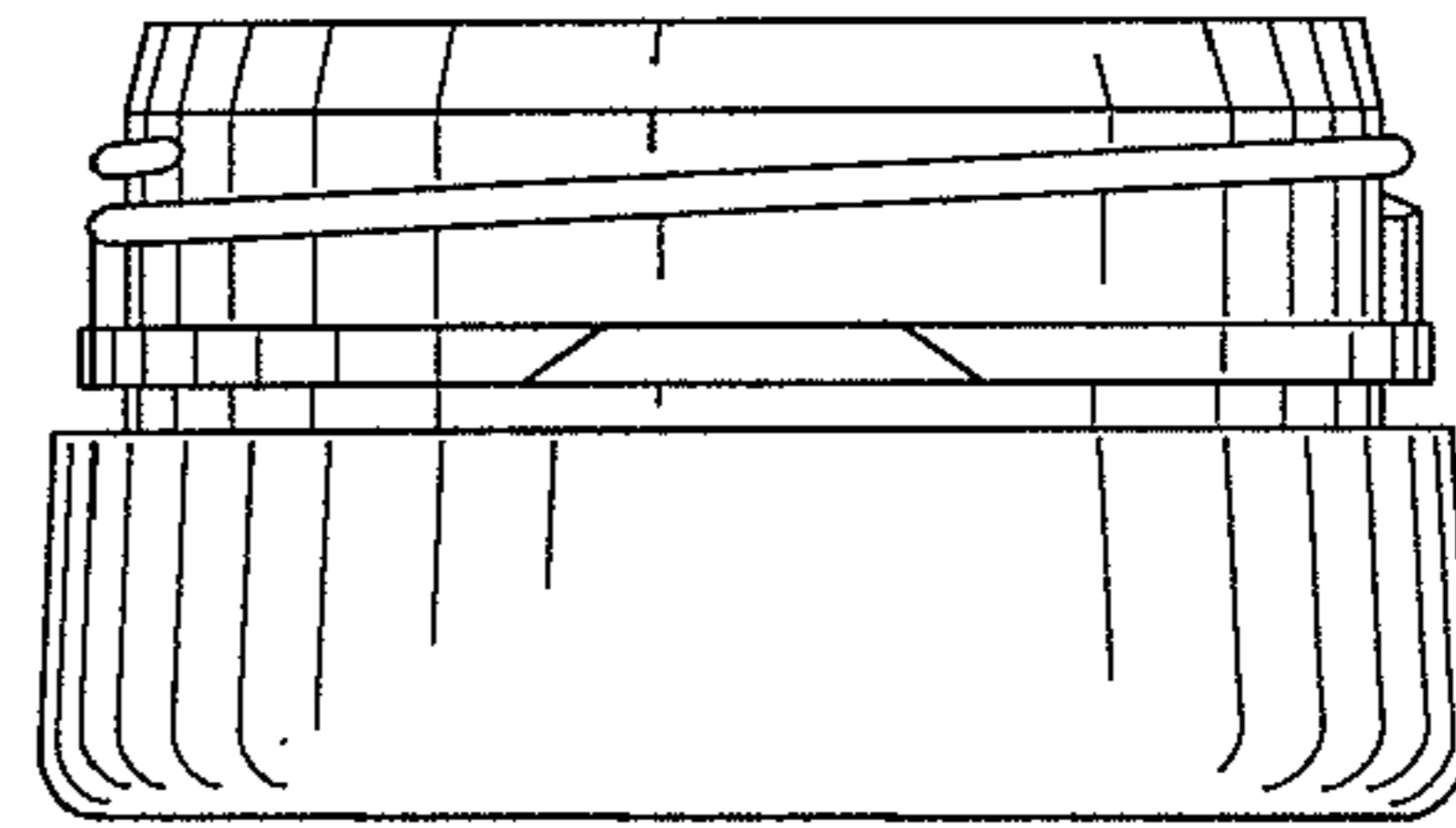
*Fig. 9*



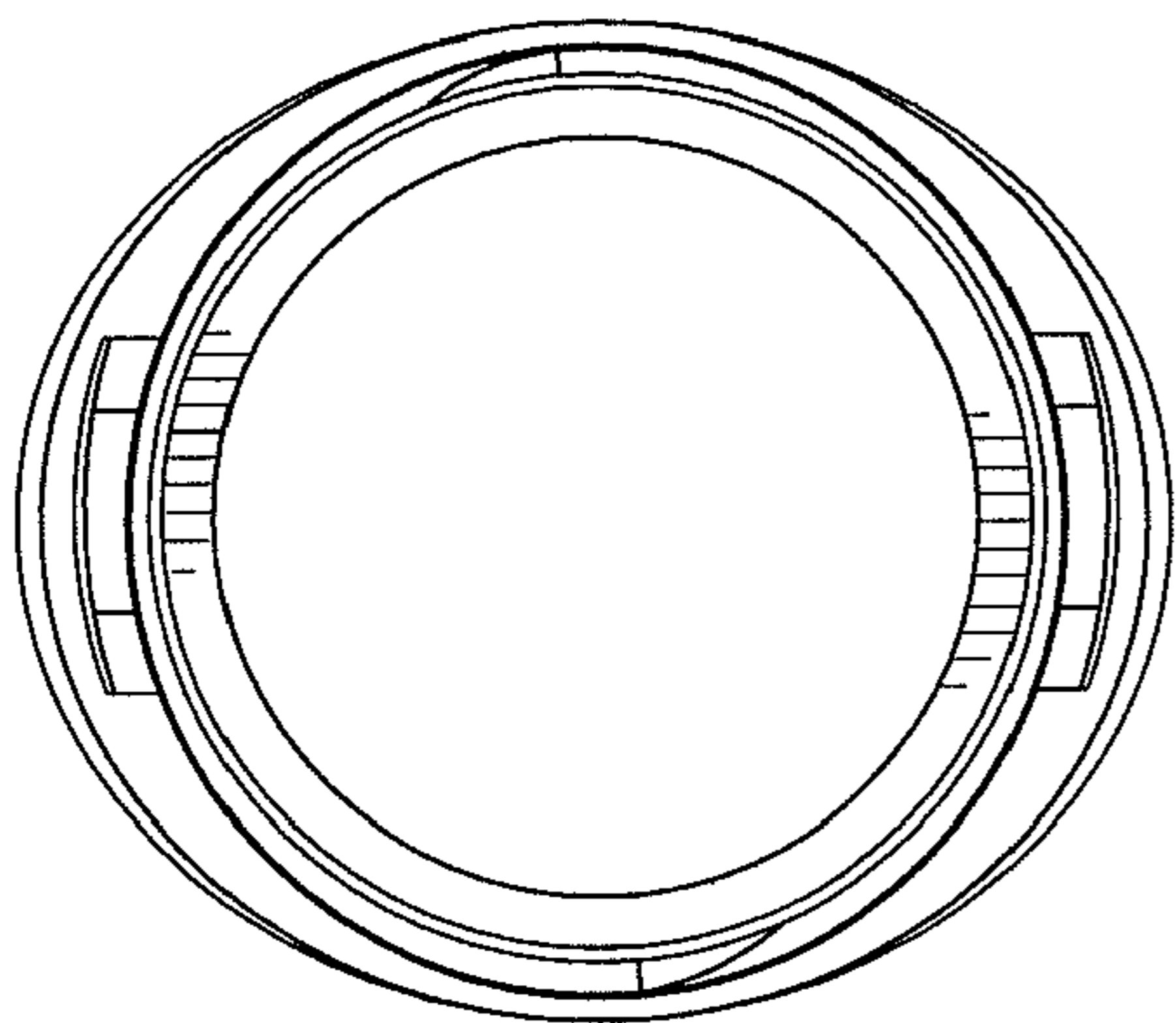
*Fig. 10*



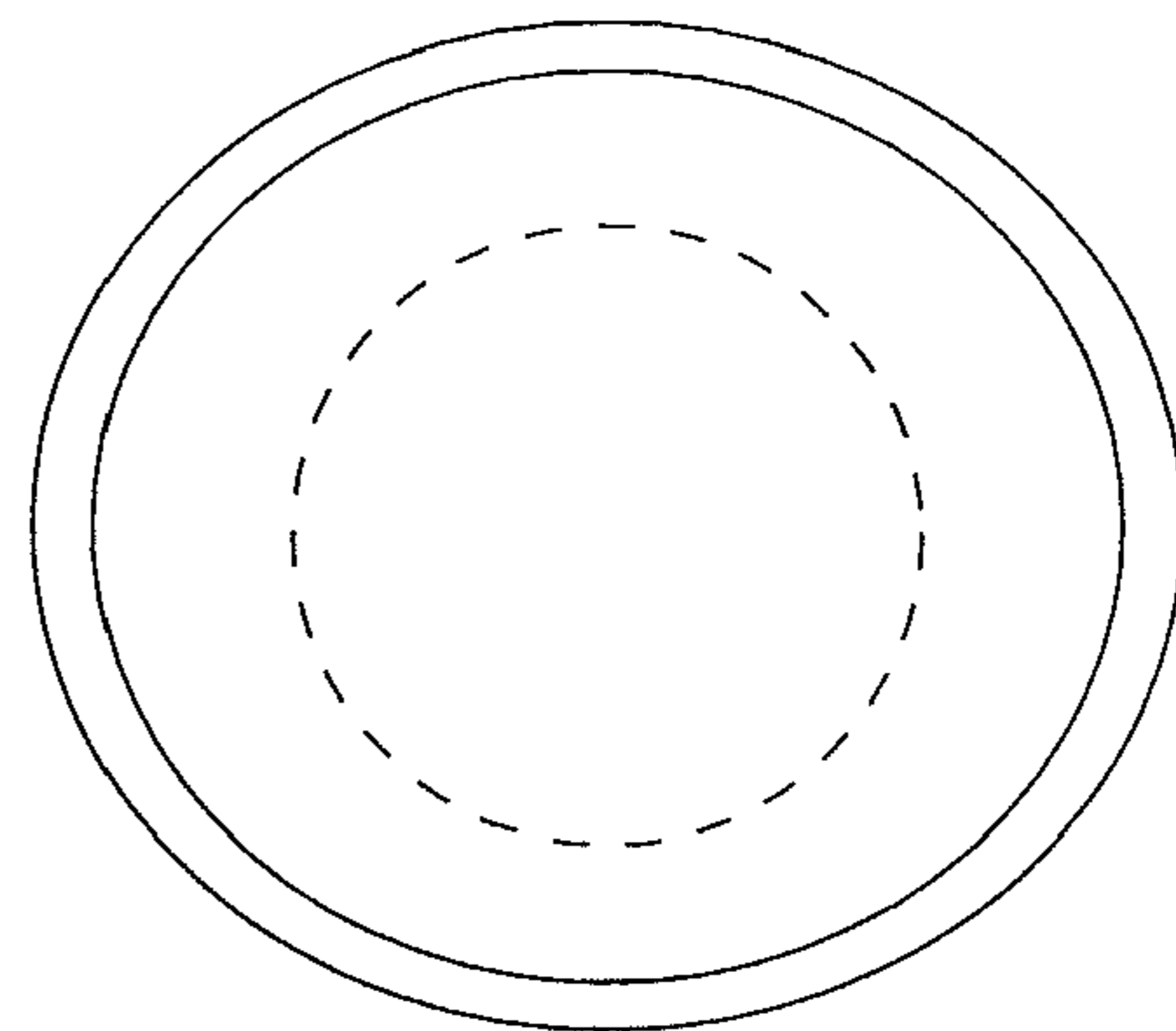
*Fig. 11*



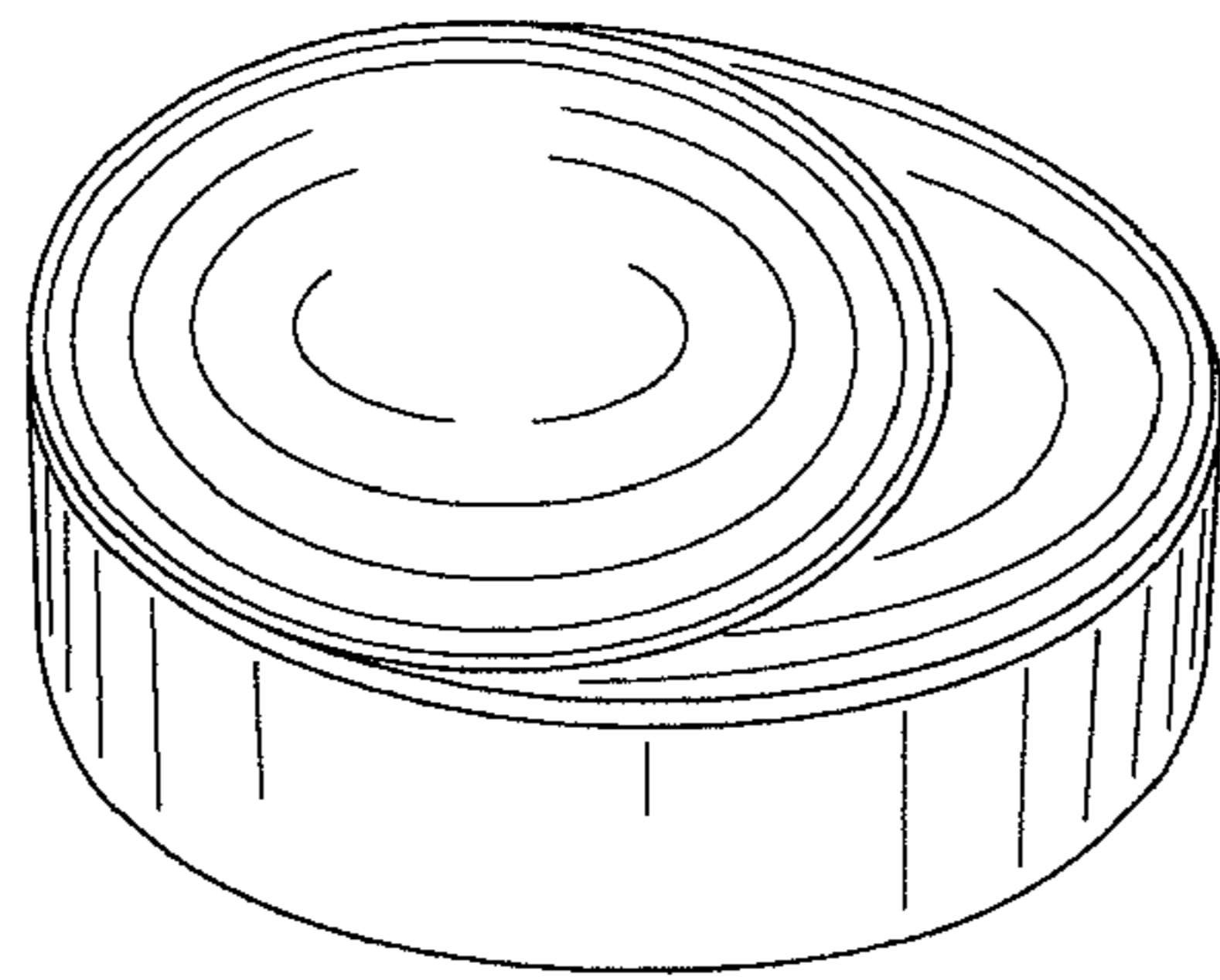
*Fig. 12*



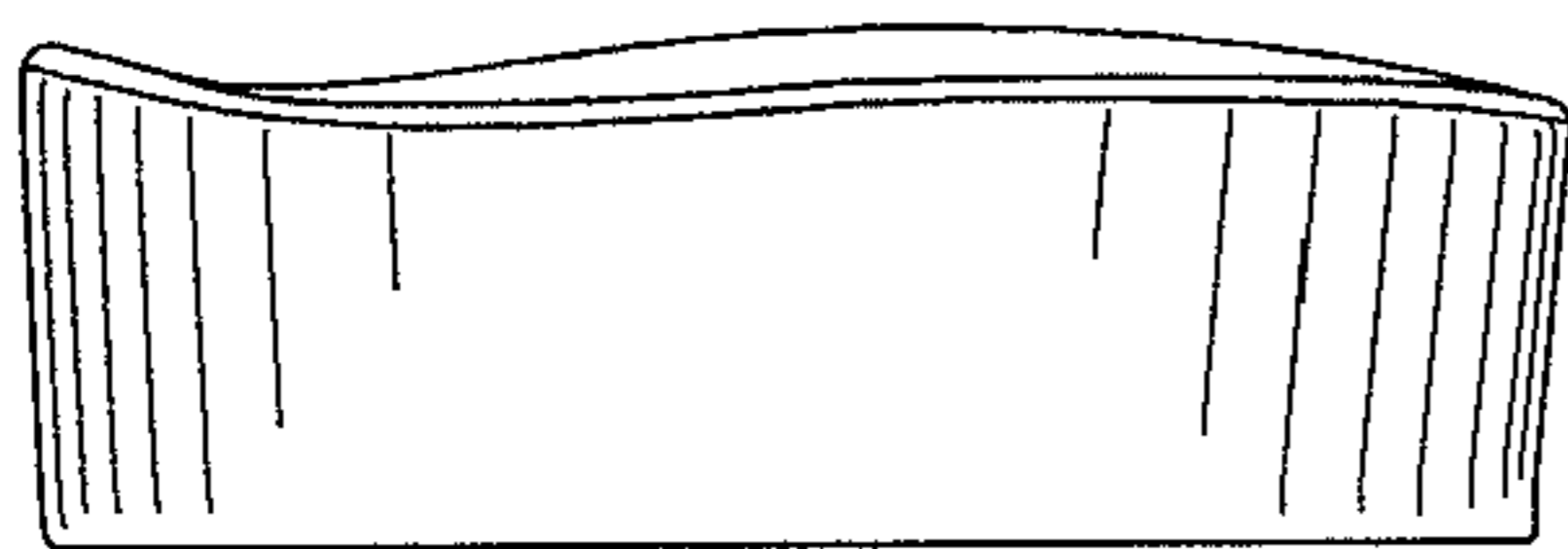
*Fig. 13*



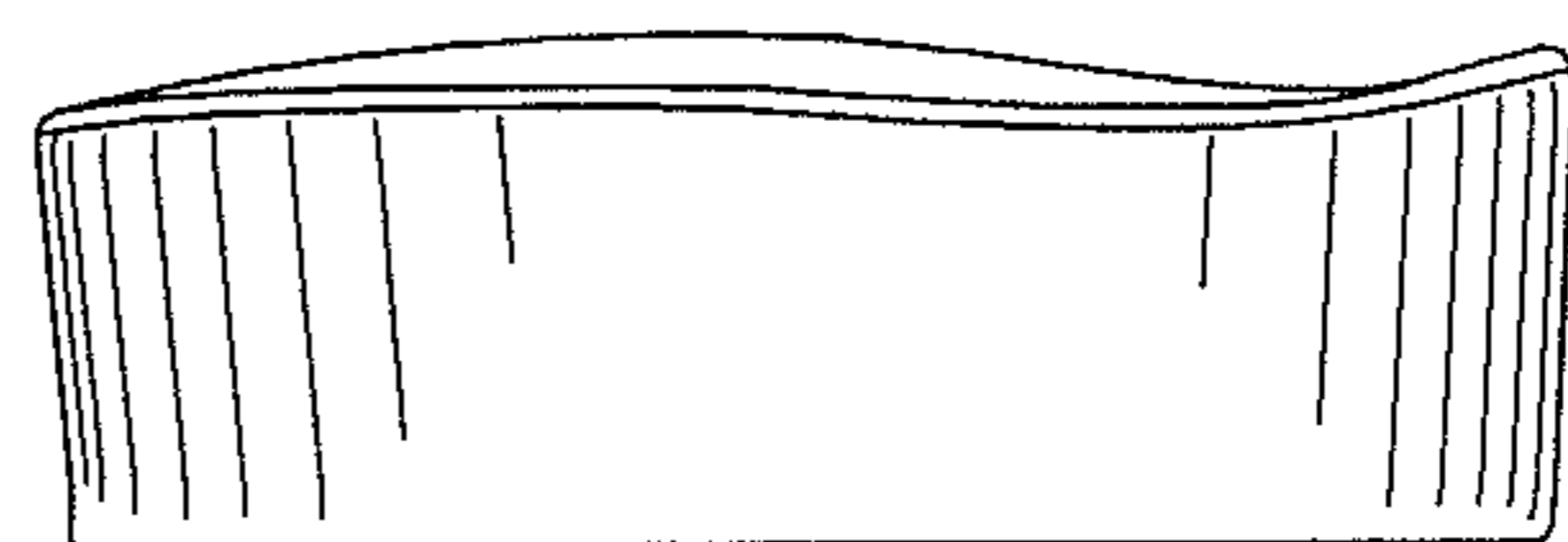
*Fig. 14*



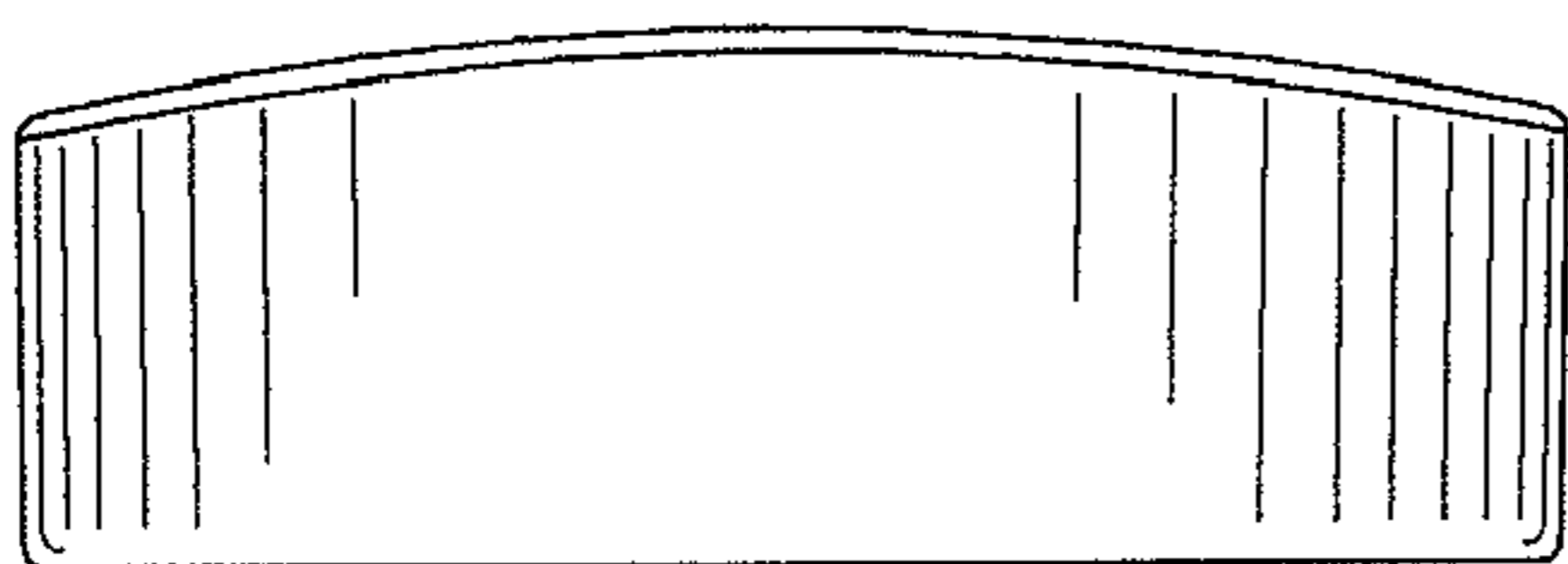
*Fig. 15*



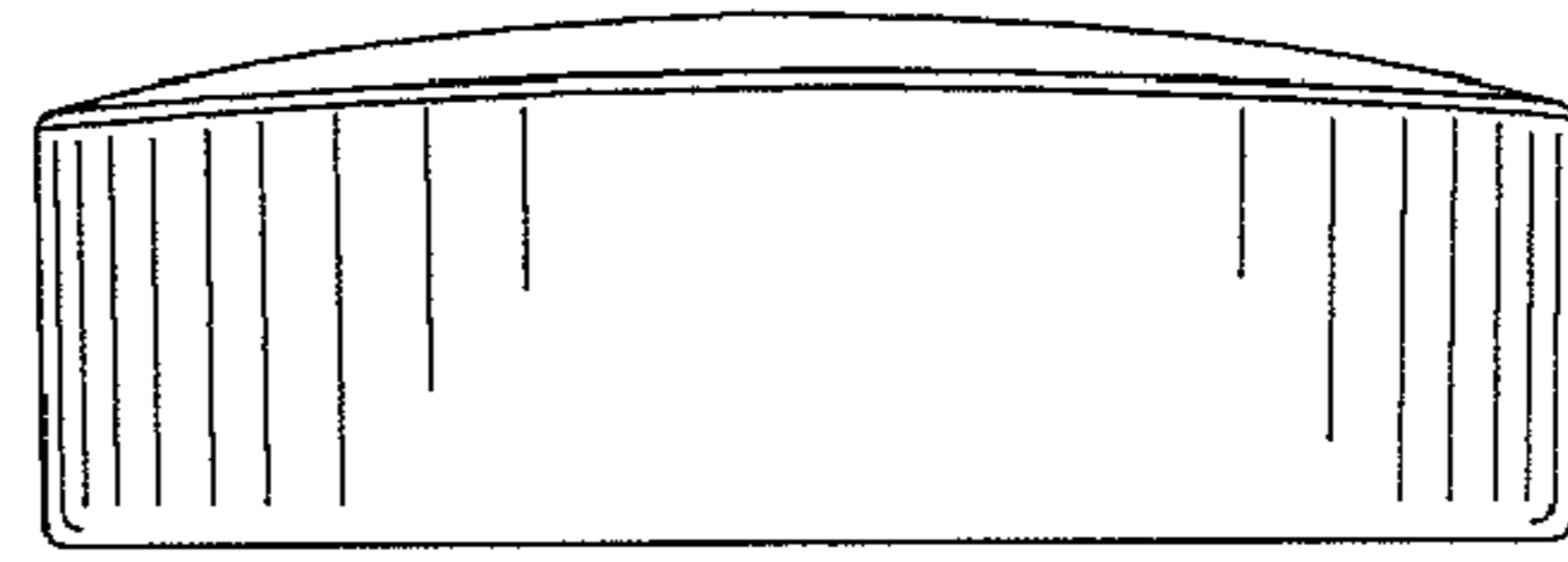
*Fig. 16*



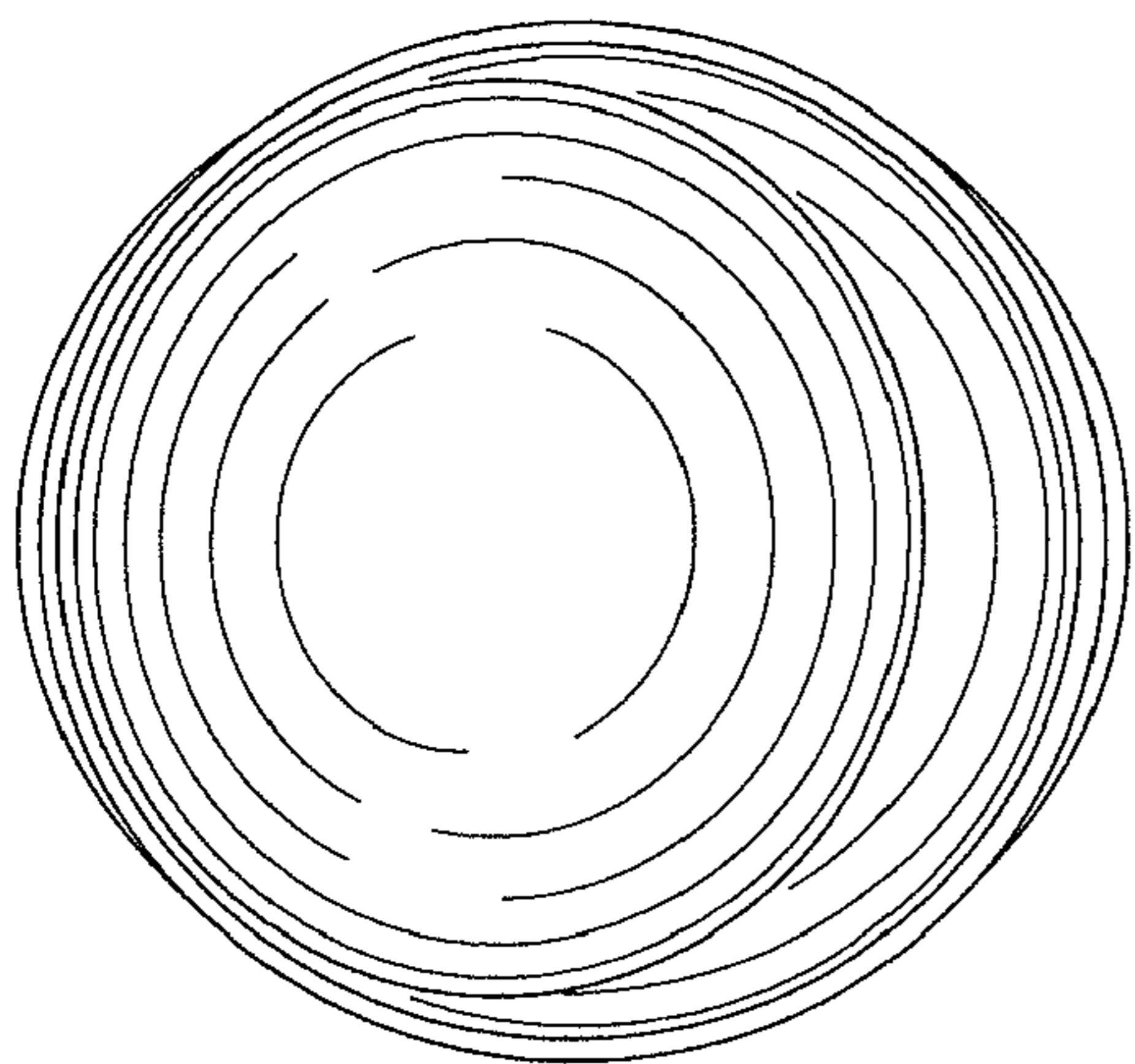
*Fig. 17*



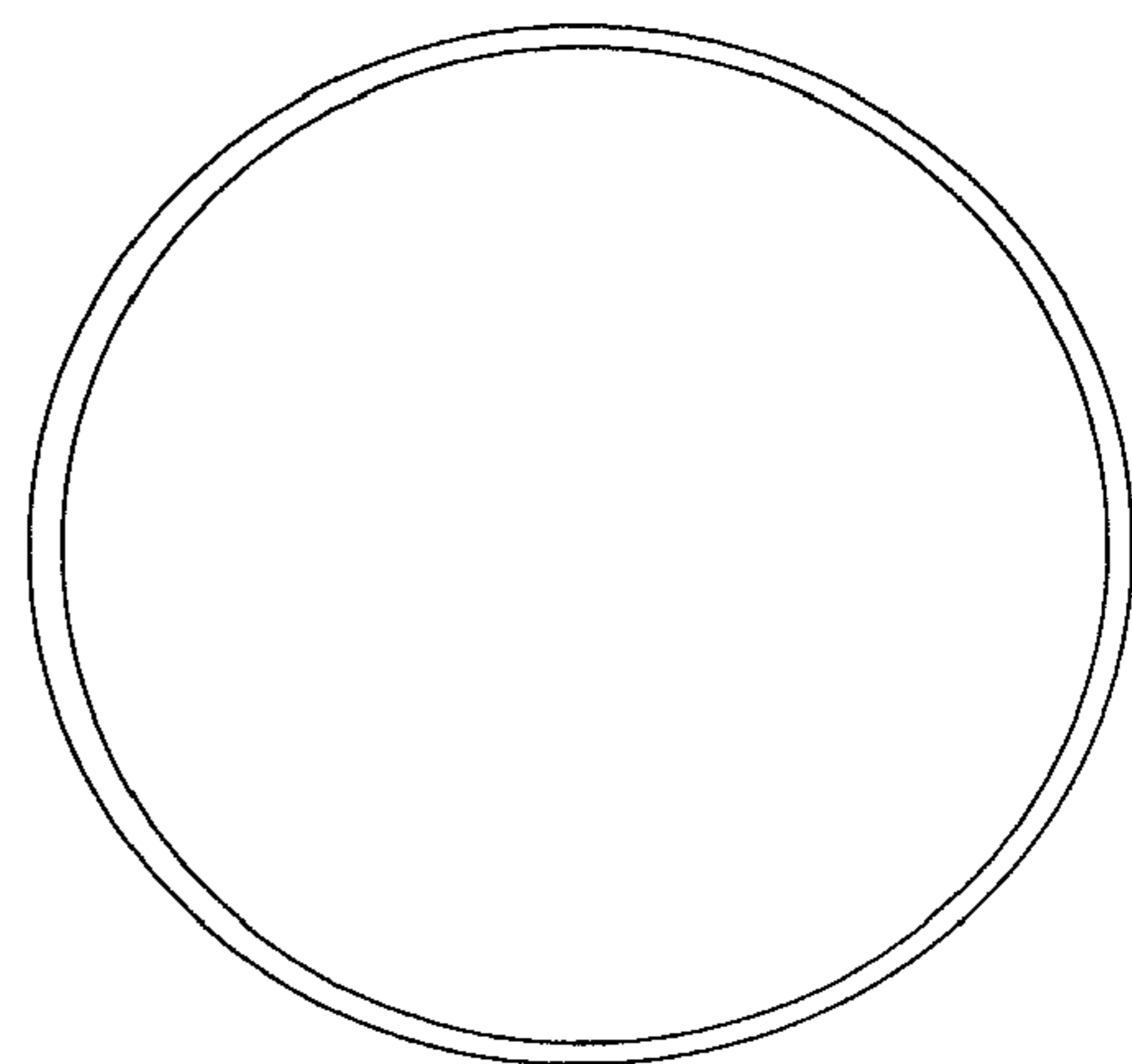
*Fig. 18*



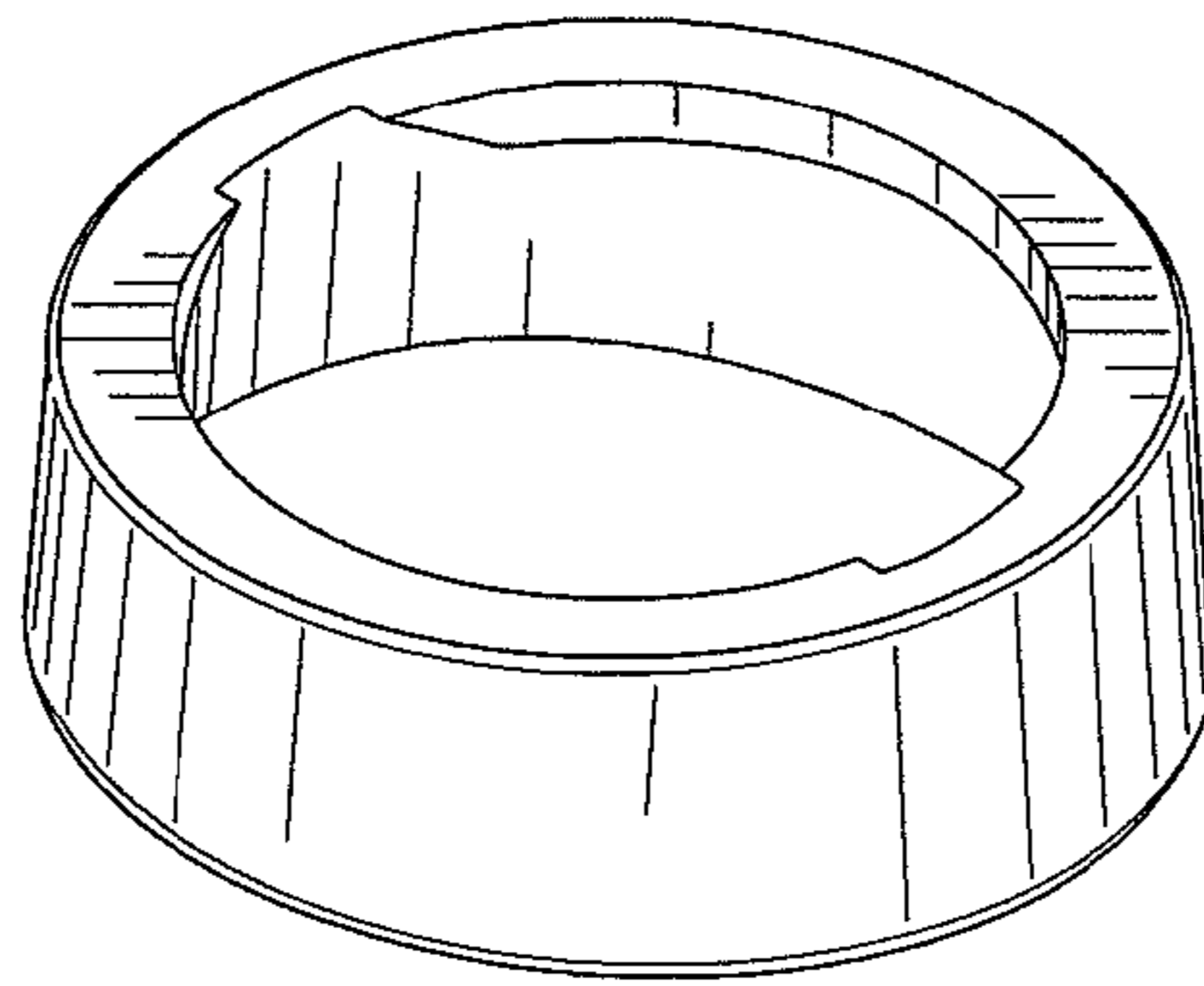
*Fig. 19*



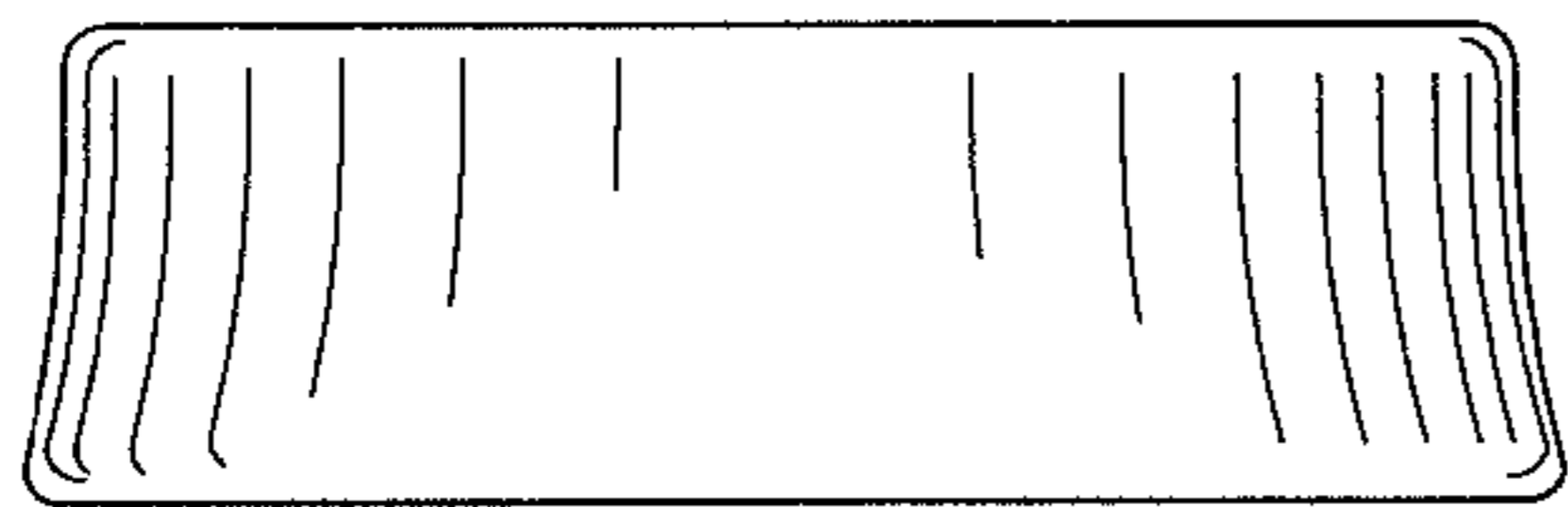
*Fig. 20*



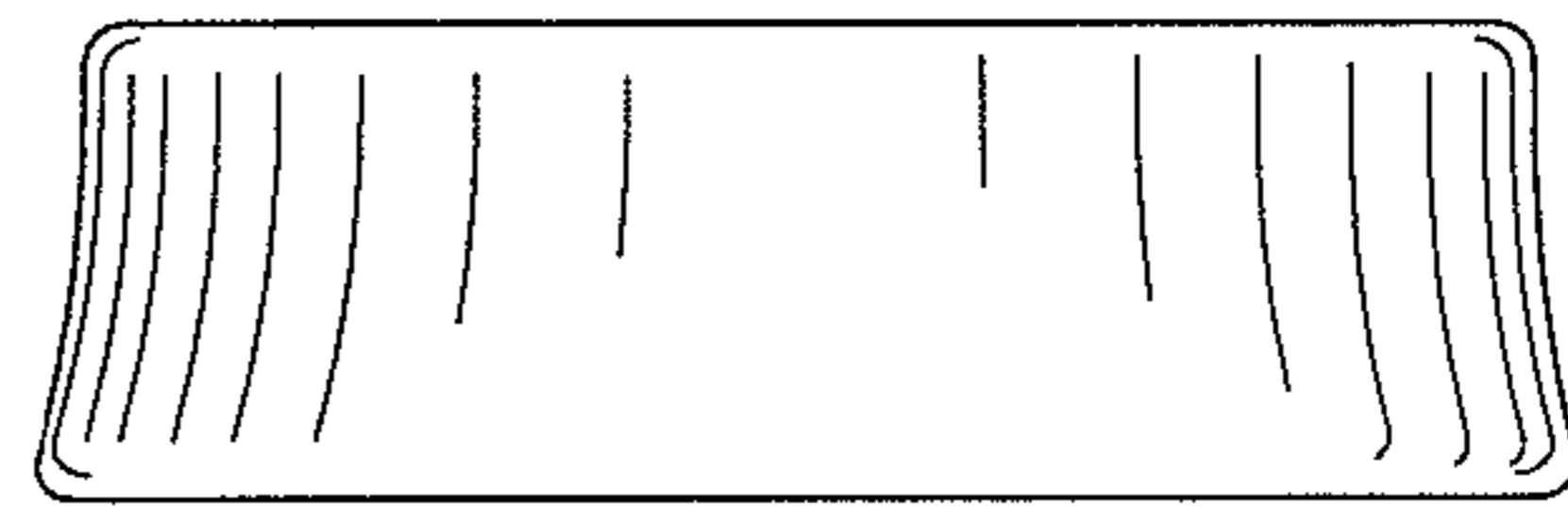
*Fig. 21*



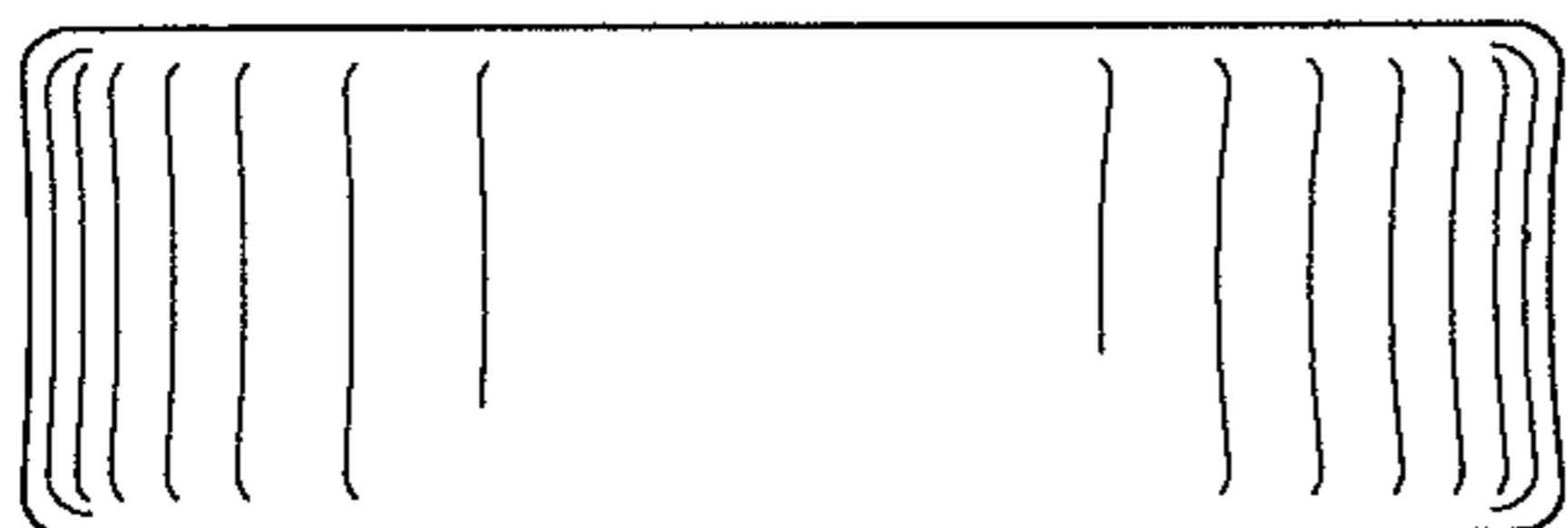
*Fig. 22*



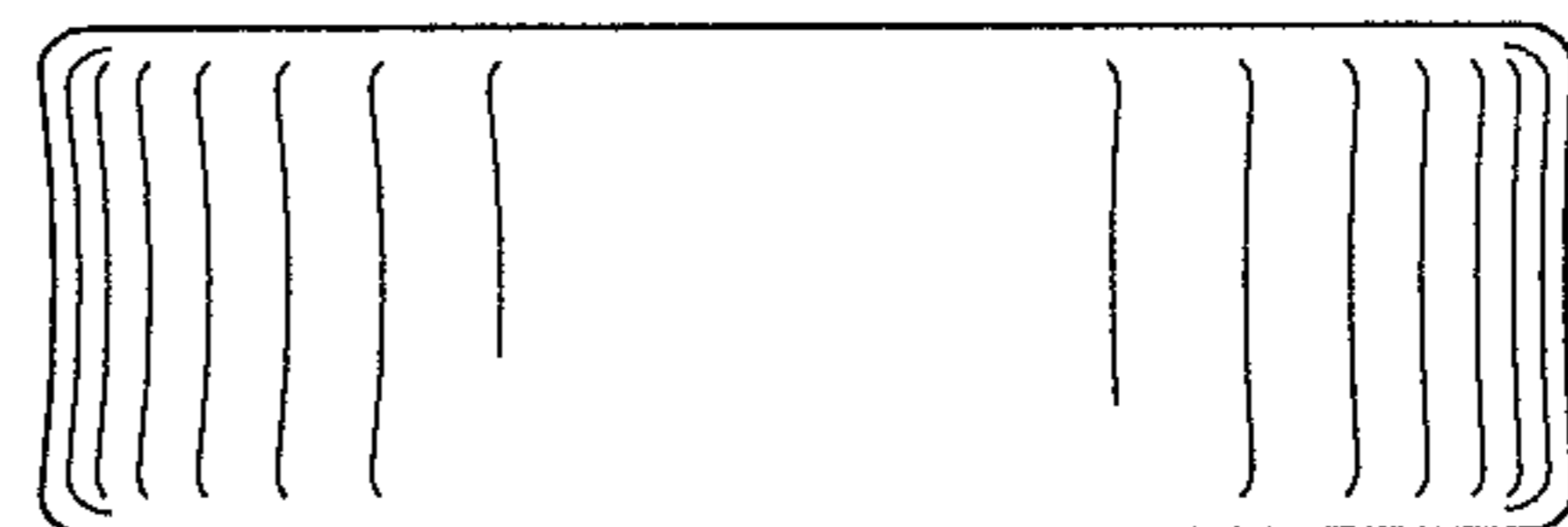
*Fig. 23*



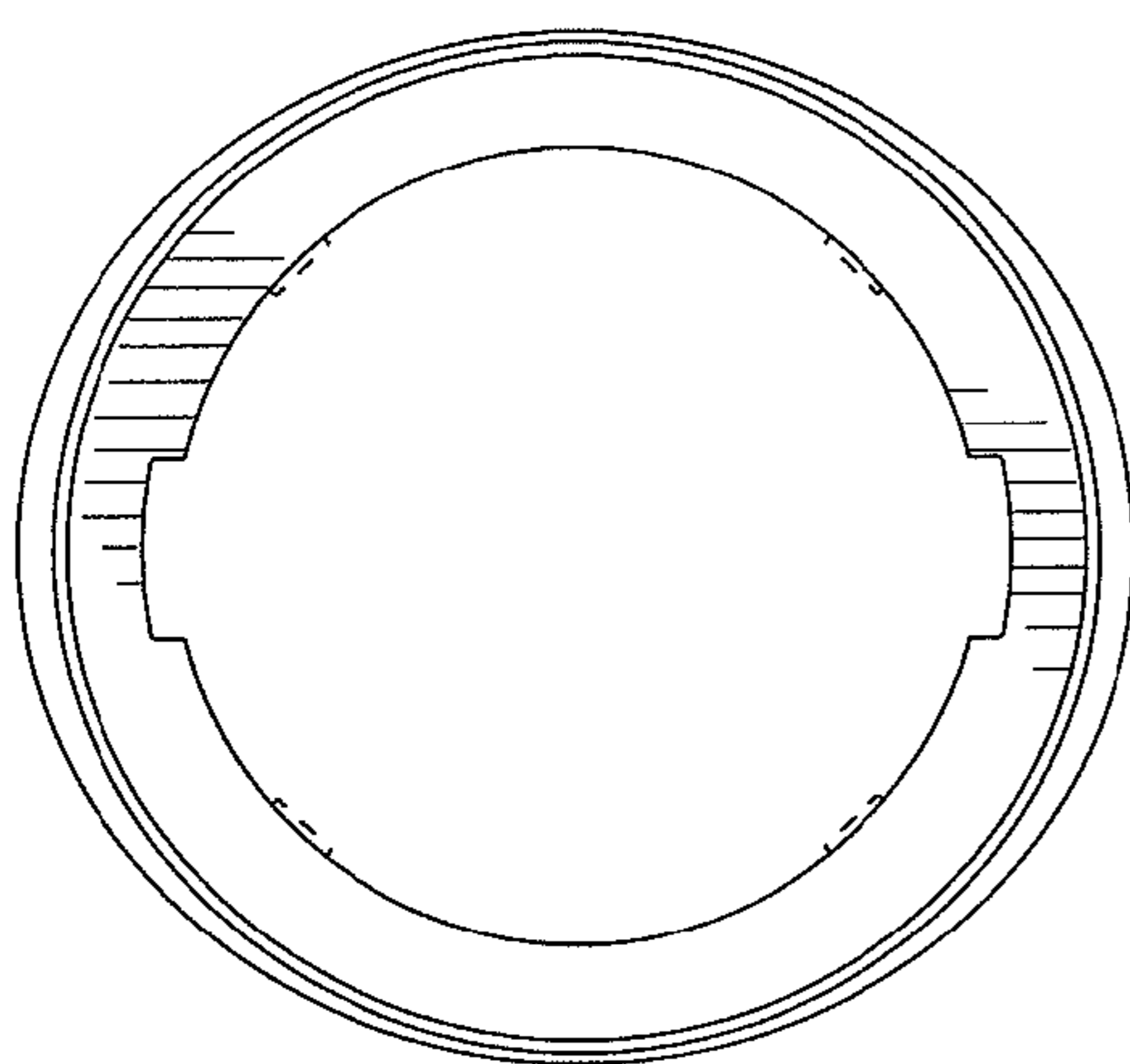
*Fig. 24*



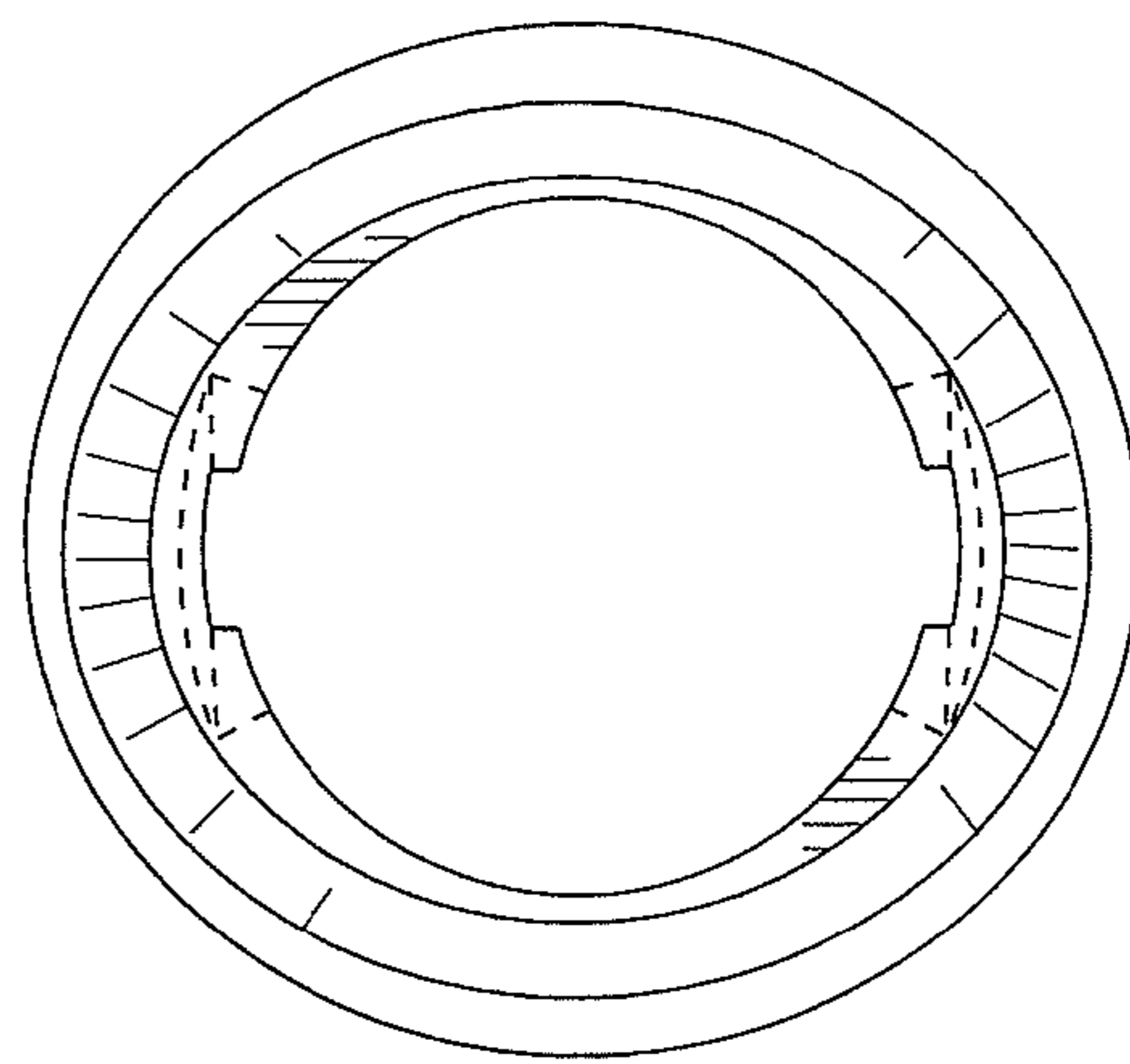
*Fig. 25*



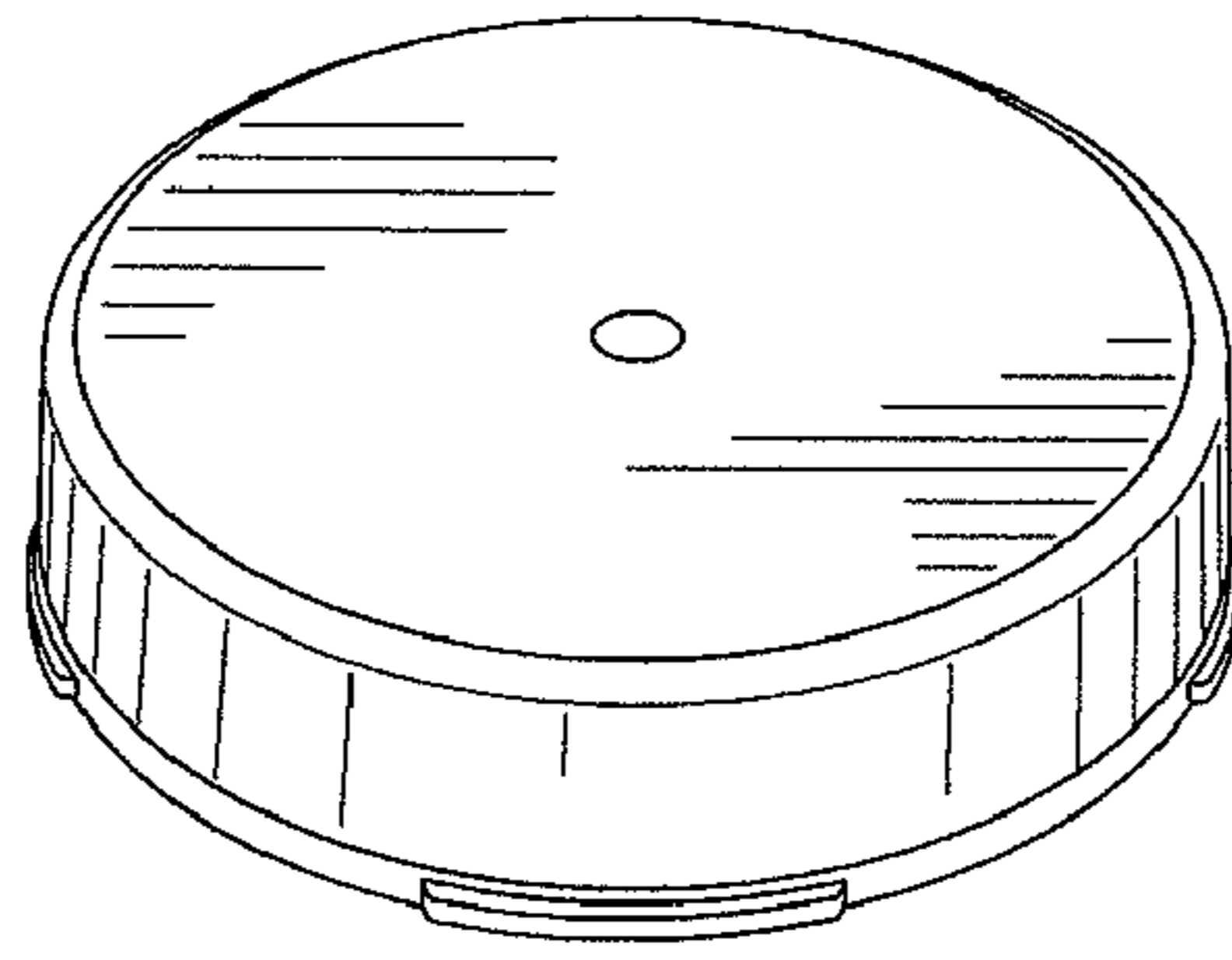
*Fig. 26*



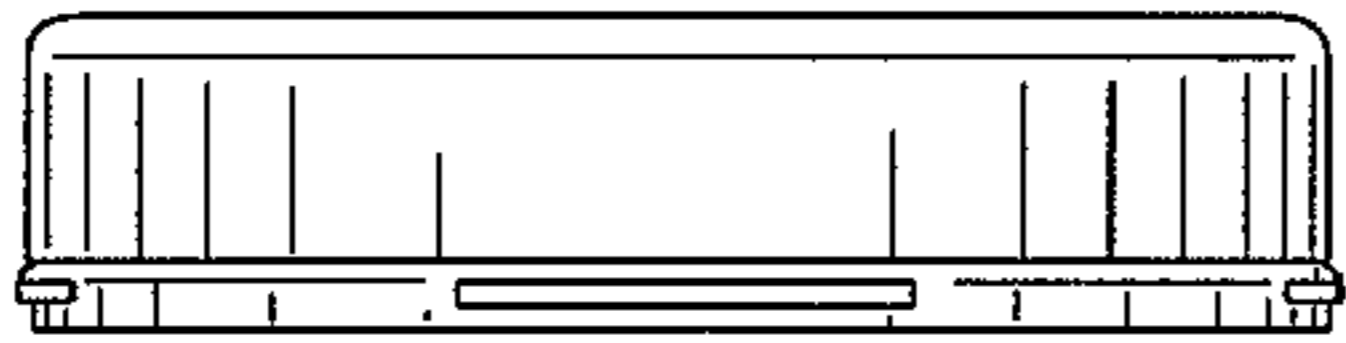
*Fig. 27*



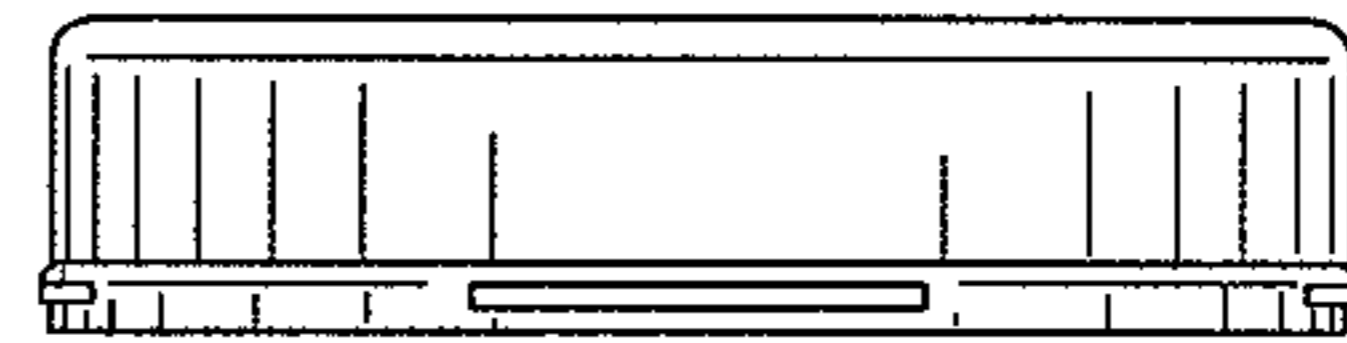
*Fig. 28*



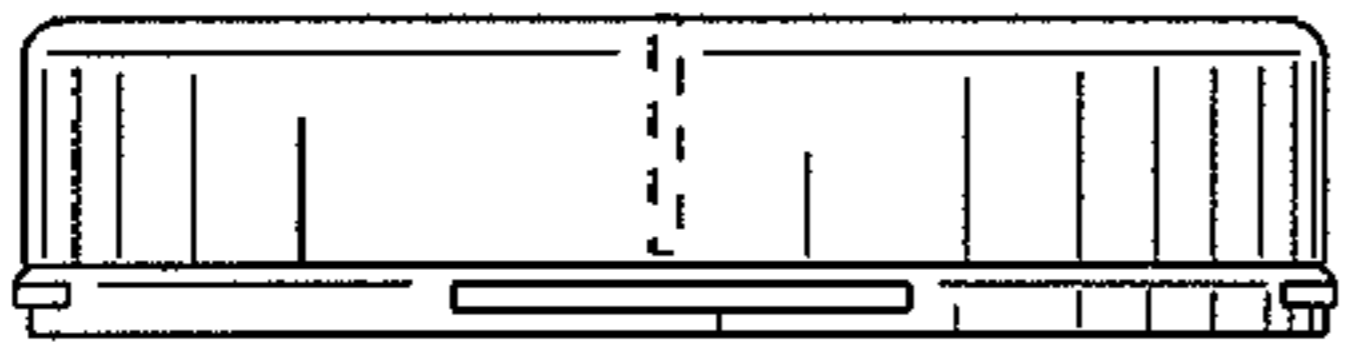
*Fig. 29*



*Fig. 30*



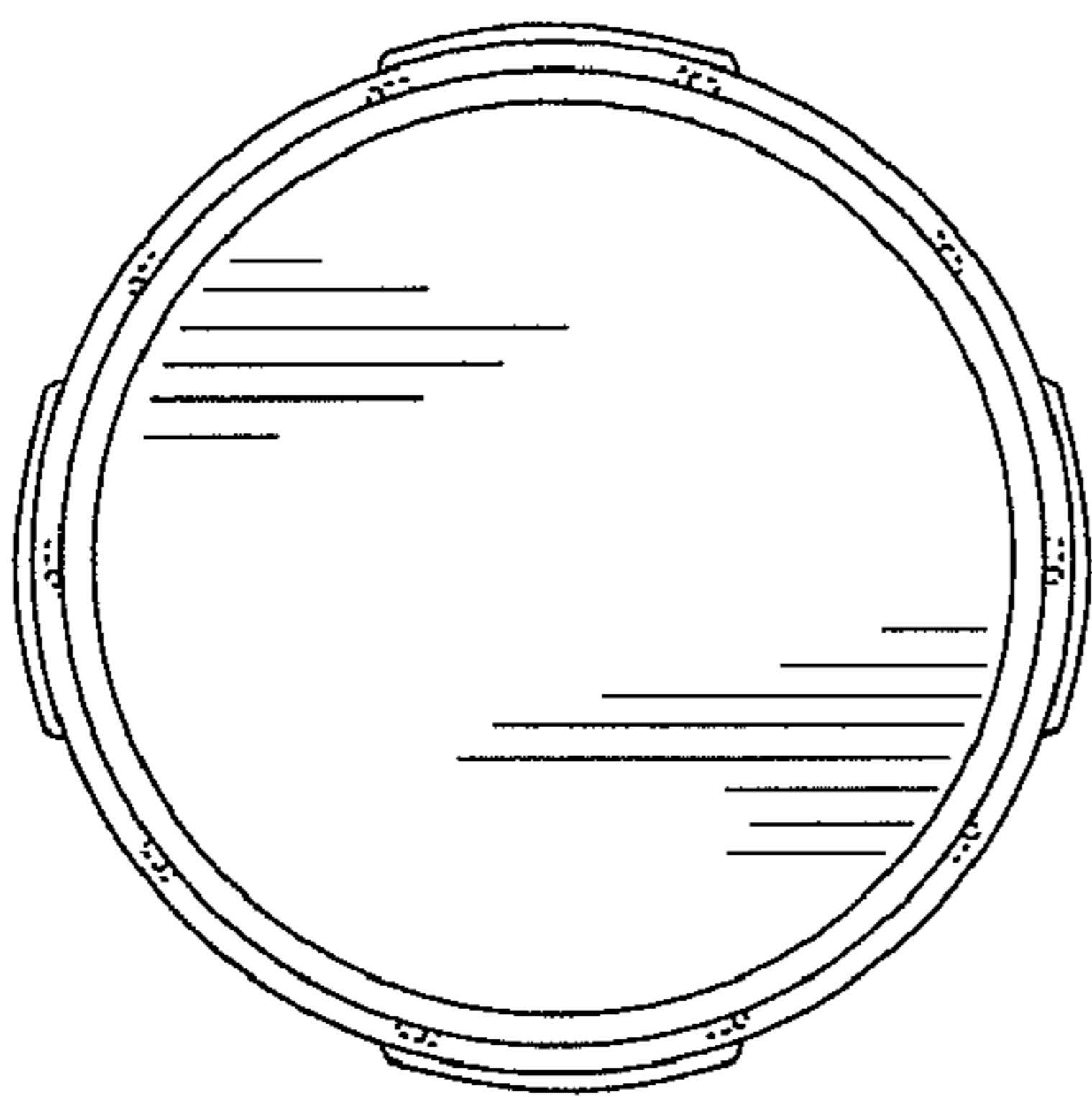
*Fig. 31*



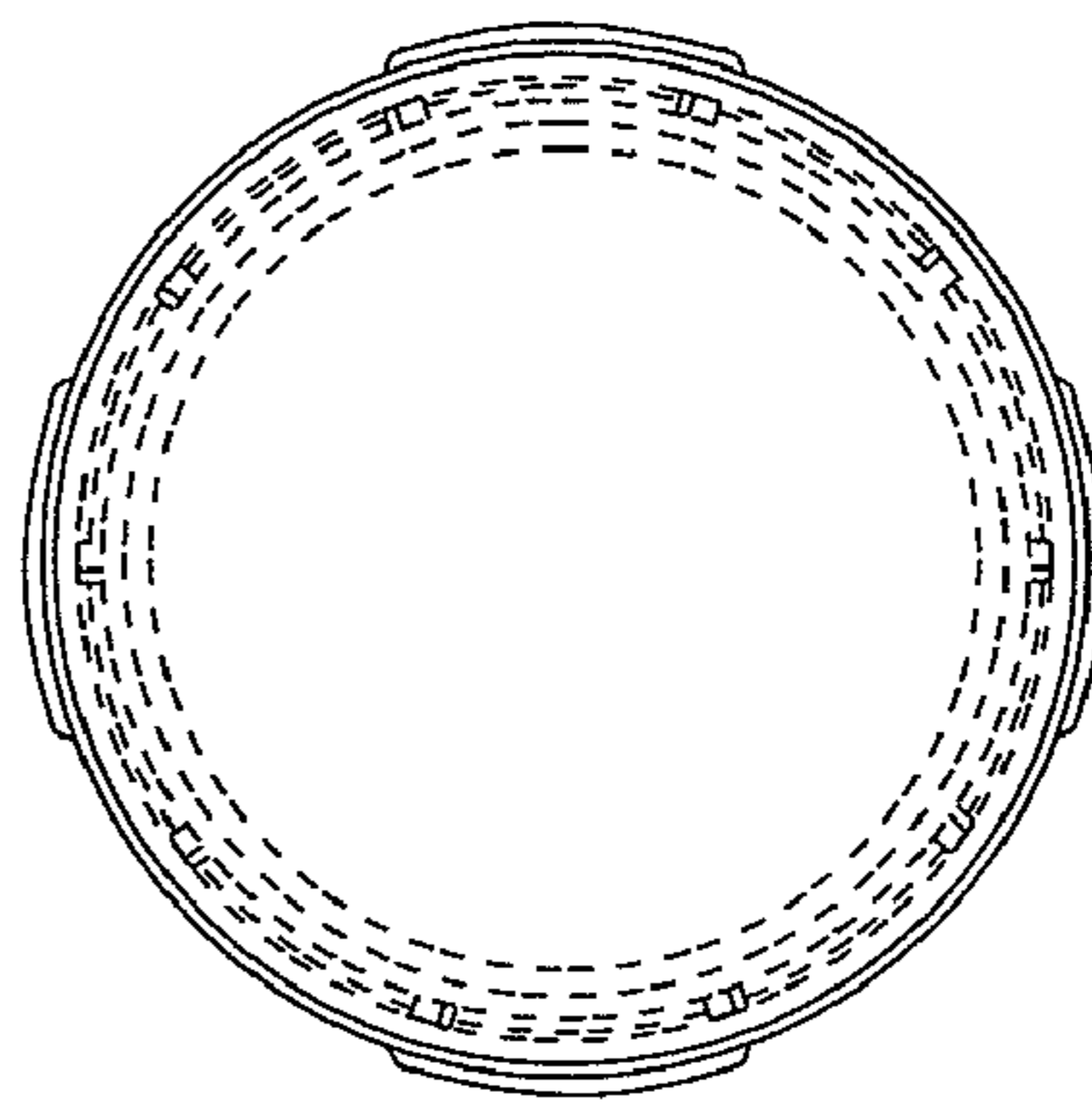
*Fig. 32*



*Fig. 33*



*Fig. 34*



*Fig. 35*