



US00D638297S

(12) **United States Design Patent**
Gelardi et al.

(10) **Patent No.:** **US D638,297 S**
(45) **Date of Patent:** **** May 24, 2011**

(54) **TRAY ASSEMBLY FOR A DISPENSING CONTAINER**

(75) Inventors: **John A. Gelardi**, Wake Forest, NC (US);
Ryan A. Bailey, Raleigh, NC (US)

(73) Assignee: **R.J. Reynolds Tobacco Company**,
Winston-Salem, NC (US)

(**) Term: **14 Years**

(21) Appl. No.: **29/380,900**

(22) Filed: **Dec. 13, 2010**

4,572,376 A	2/1986	Wrennall	
4,611,727 A	9/1986	Graff	
4,705,165 A	11/1987	Thieke	
D307,555 S *	5/1990	Haenni et al.	D9/447
5,108,006 A	4/1992	Tieke et al.	
5,174,471 A	12/1992	Kozlowski et al.	
5,275,291 A	1/1994	Sledge	
5,657,901 A	8/1997	Farside	
5,729,955 A *	3/1998	Yamada	53/412
D393,591 S *	4/1998	Baryshyan	D9/756
5,782,359 A	7/1998	McAllister et al.	
5,816,441 A	10/1998	Farside	
5,897,025 A	4/1999	Flewitt et al.	
5,909,822 A	6/1999	George et al.	
5,915,560 A	6/1999	George et al.	

(Continued)

Related U.S. Application Data

(62) Division of application No. 29/356,296, filed on Feb. 23, 2010, now Pat. No. Des. 631,353.

(51) **LOC (9) Cl.** **09-07**

(52) **U.S. Cl.** **D9/456; D9/455**

(58) **Field of Classification Search** D9/761,
D9/759, 756, 708, 709, 702, 456, 455, 454,
D9/453, 445, 443, 436, 435, 434, 439; 53/412;
248/146; 229/120; 222/109; 220/4.23; 219/439;
215/305; 206/529, 427; D3/304, 295
See application file for complete search history.

FOREIGN PATENT DOCUMENTS

CH 180218 A 10/1935

(Continued)

Primary Examiner — Susan Bennett Hattan

(74) *Attorney, Agent, or Firm* — Womble Carlyle Sandridge & Rice, PLLC

(57) **CLAIM**

The ornamental design for a tray assembly for a dispensing container, as shown and described.

(56) **References Cited**

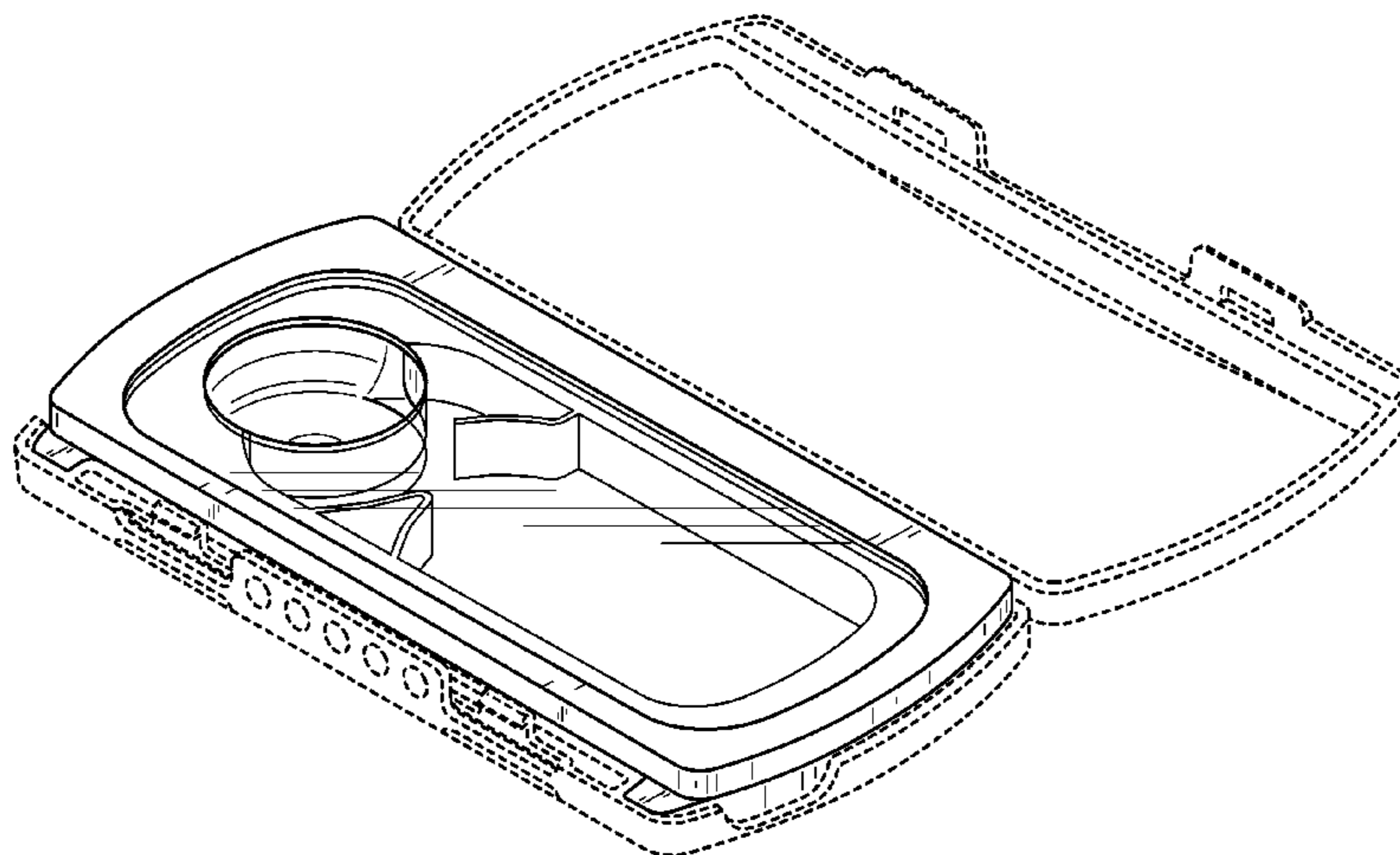
U.S. PATENT DOCUMENTS

194,197 A	8/1877	Villaret	
2,090,530 A	8/1937	Guffy et al.	
D134,249 S *	11/1942	Button	D9/761
3,696,917 A	10/1972	Levi	
3,782,584 A	1/1974	Swenson et al.	
3,895,737 A	7/1975	Phillips	
536,923 A	3/1976	Mayled	
4,057,145 A	11/1977	Wray et al.	
4,154,365 A	5/1979	Lorca	
4,284,204 A	8/1981	Cary, Jr.	
4,437,579 A	3/1984	Obland	
4,561,544 A	12/1985	Reeve	

DESCRIPTION

FIG. 1 is a top front perspective view of a tray assembly for a dispensing container, the tray assembly having a non-opaque cover portion;
FIG. 2 is a top rear perspective view thereof;
FIG. 3 is a top plan view thereof;
FIG. 4 is an exploded front view thereof; and,
FIG. 5 is an exploded rear view thereof.
The broken lines shown herein depict environmental subject matter only and form no part of the claimed design.

1 Claim, 5 Drawing Sheets



US D638,297 S

Page 2

U.S. PATENT DOCUMENTS

6,131,765	A	10/2000	Barry et al.	
6,155,454	A	12/2000	George et al.	
D444,058	S *	6/2001	Hampshire et al.	D9/761
6,267,265	B1	7/2001	Issa	
6,460,693	B1	10/2002	Harrold	
6,527,138	B2	3/2003	Pawlo et al.	
6,758,338	B2	7/2004	Lien	
D495,545	S *	9/2004	Niehues	D6/518
6,863,175	B2	3/2005	Gelardi	
6,913,149	B2	7/2005	Gelardi et al.	
6,976,576	B2	12/2005	Intini	
D531,499	S *	11/2006	Zaidman	D9/434
7,159,720	B2	1/2007	Pearson	
7,216,776	B2	5/2007	Gelardi	
7,288,745	B2 *	10/2007	Colonna	219/439
7,353,969	B2	4/2008	McHutchinson	
D572,588	S *	7/2008	Osborn et al.	D9/456
D589,798	S *	4/2009	Liipola	D9/456
7,565,969	B2	7/2009	He	
7,588,149	B2	9/2009	Gelardi	
D608,593	S *	1/2010	Follansbee et al.	D7/553.5
7,712,630	B2	5/2010	He	
2002/0096517	A1 *	7/2002	Gelardi	220/4.23
2002/0175195	A1	11/2002	Cole	
2004/0217024	A1	11/2004	Arnarp et al.	
2005/0173272	A1	8/2005	Lemmons, IV	
2006/0060480	A1	3/2006	Budd	

2006/0118589	A1	6/2006	Arnarp et al.
2006/0124658	A1	6/2006	Coe et al.
2006/0243611	A1	11/2006	Wu
2007/0068960	A1	3/2007	Valentine et al.
2007/0163911	A1	7/2007	Gelardi
2007/0277299	A1	12/2007	Kroon
2008/0029110	A1	2/2008	Dube et al.
2008/0029116	A1	2/2008	Robinson et al.
2008/0035643	A1	2/2008	Hoffman
2009/0223989	A1	9/2009	Gelardi
2009/0266837	A1	10/2009	Gelardi et al.
2010/0133140	A1	6/2010	Bailey et al.
2010/0264157	A1	10/2010	Bailey et al.

FOREIGN PATENT DOCUMENTS

GB	686 870	2/1953
GB	2 042 476	9/1980
WO	WO 99/48391 A	9/1999
WO	WO 2004/035404 A1	4/2004
WO	WO 2005/016036 A1	2/2005
WO	WO 2005/030606 A1	4/2005
WO	WO 2005/035390 A1	4/2005
WO	WO 2007/017761 A2	2/2007
WO	WO 2007/067953 A2	6/2007
WO	WO 2007/070867 A2	6/2007
WO	WO 2008/070032 A2	6/2008

* cited by examiner

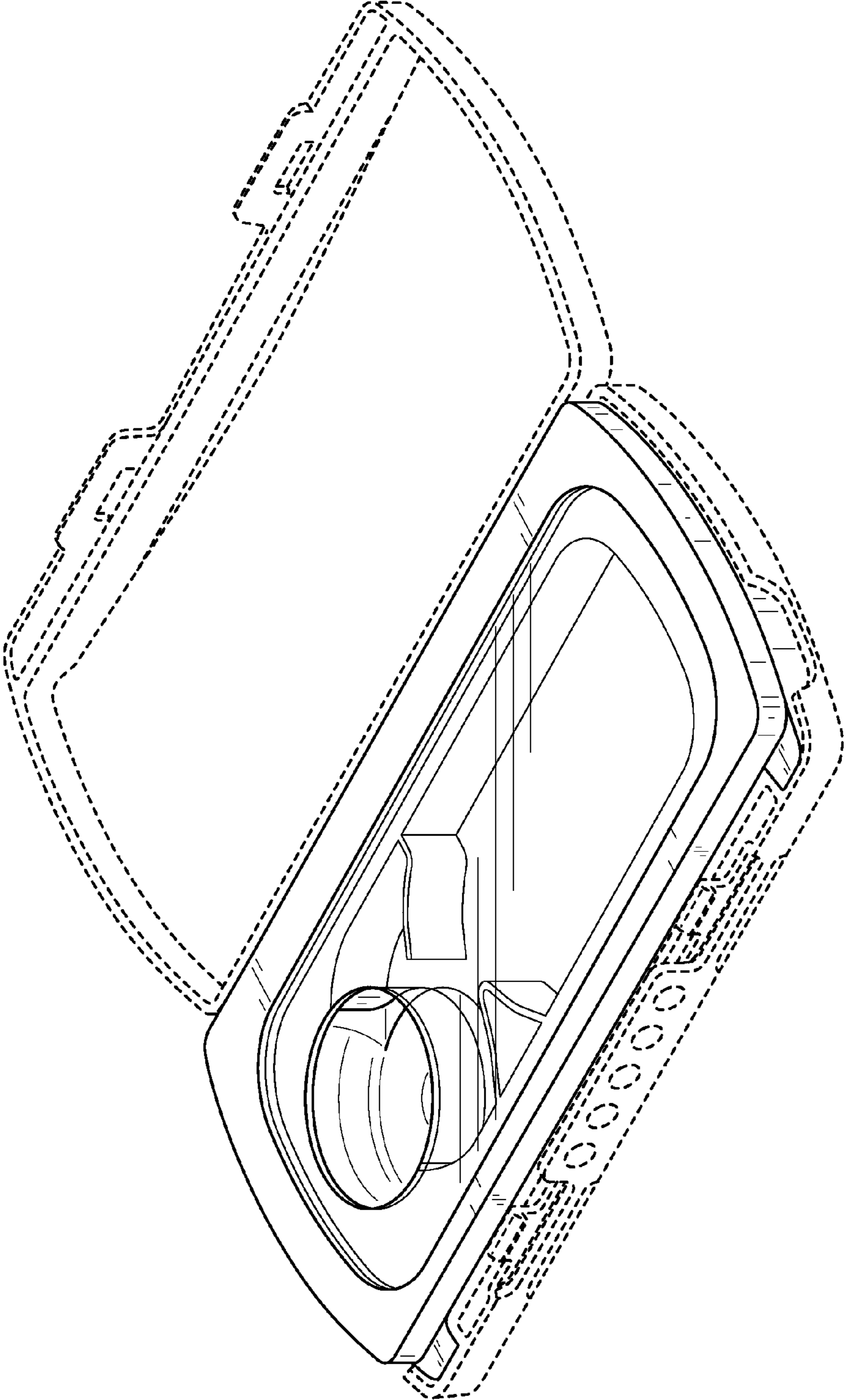


FIG. 1

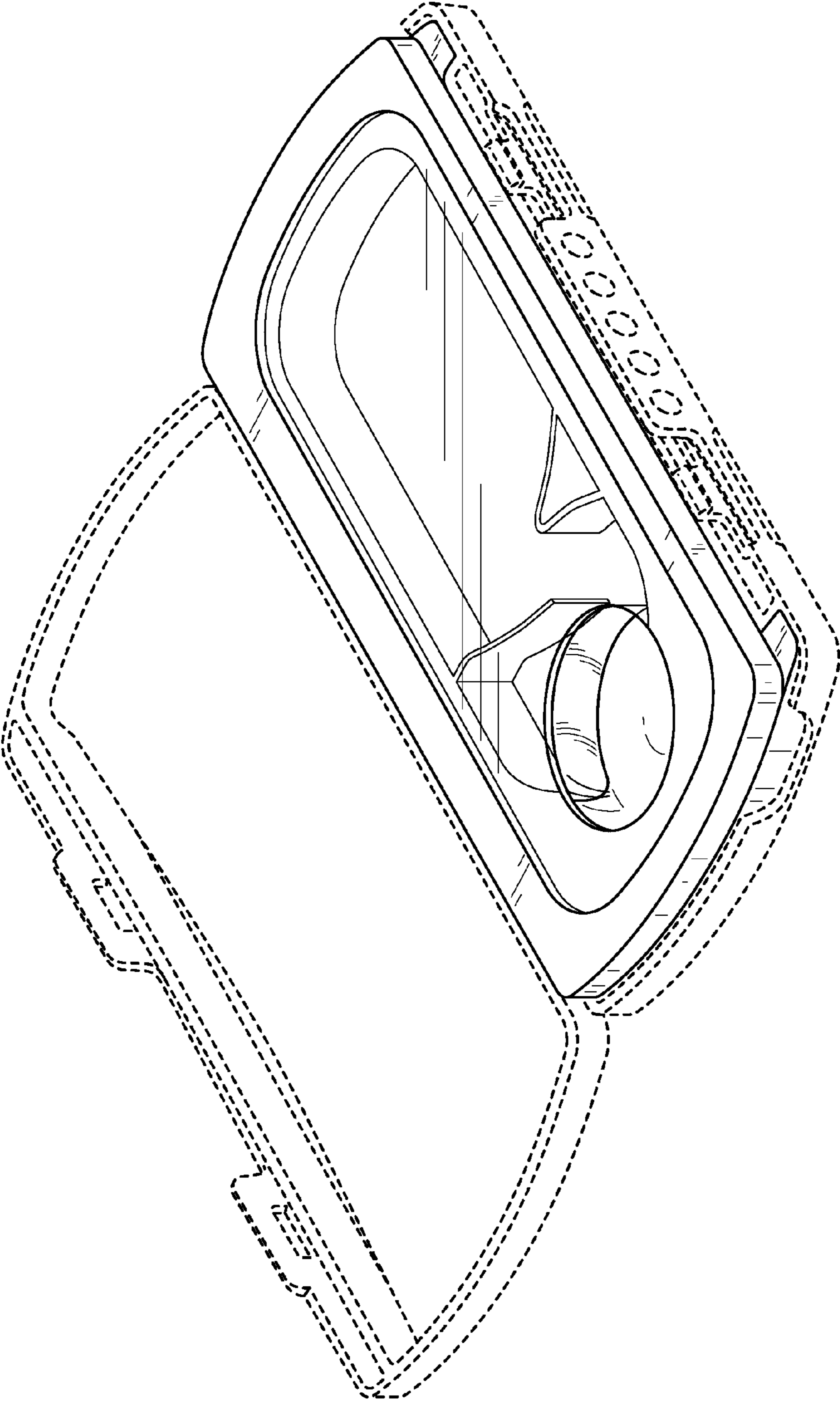


FIG. 2

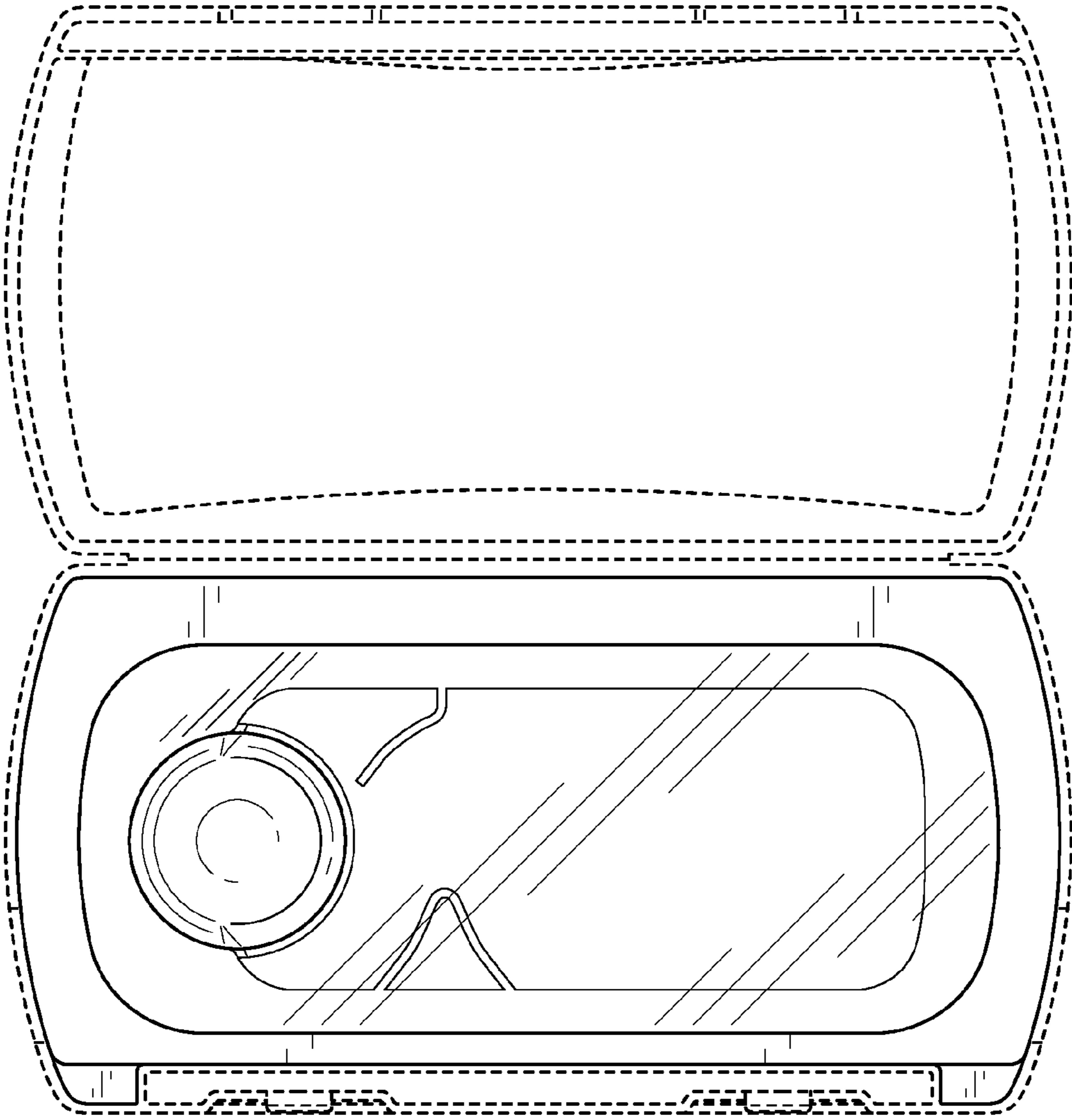


FIG. 3

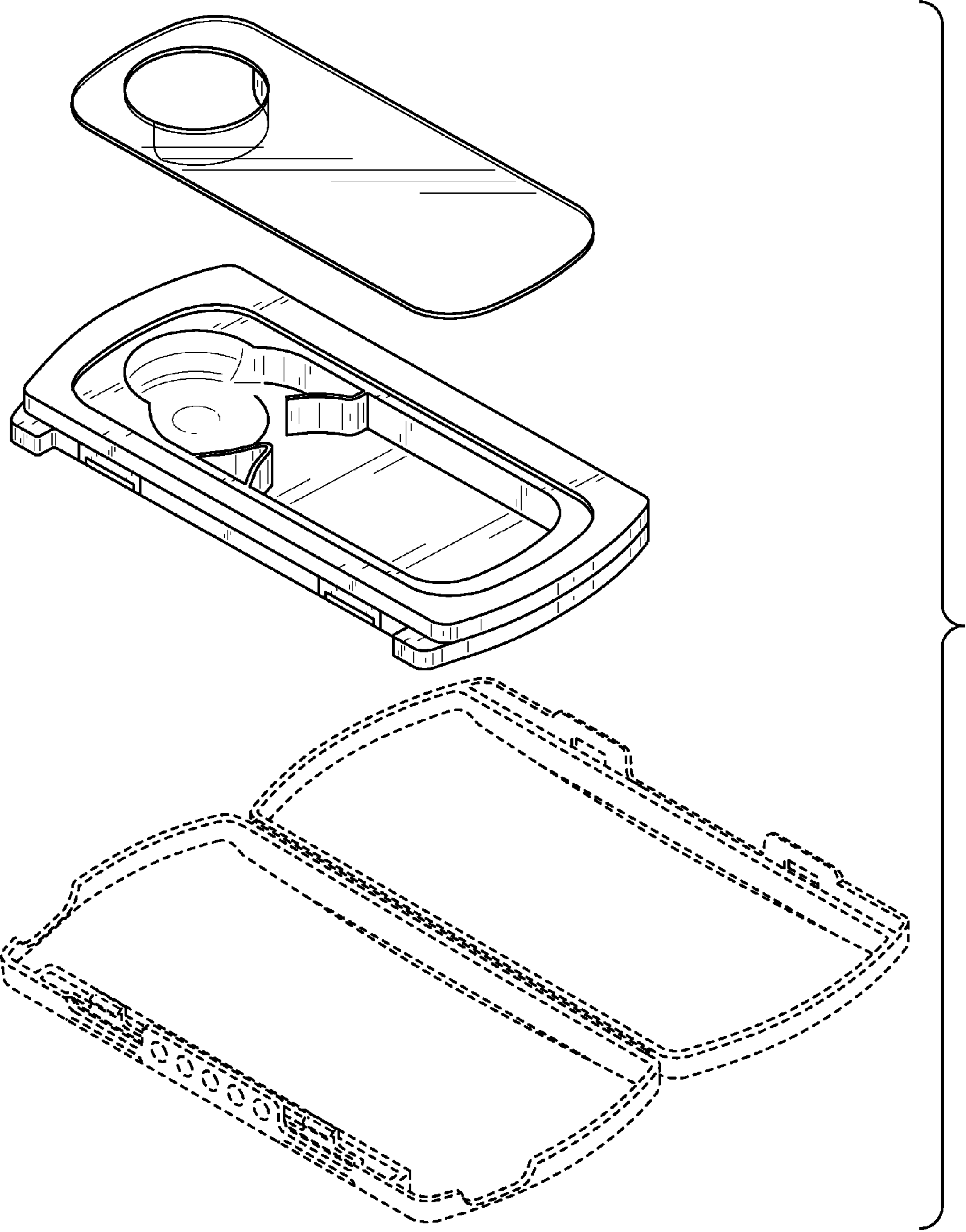


FIG. 4

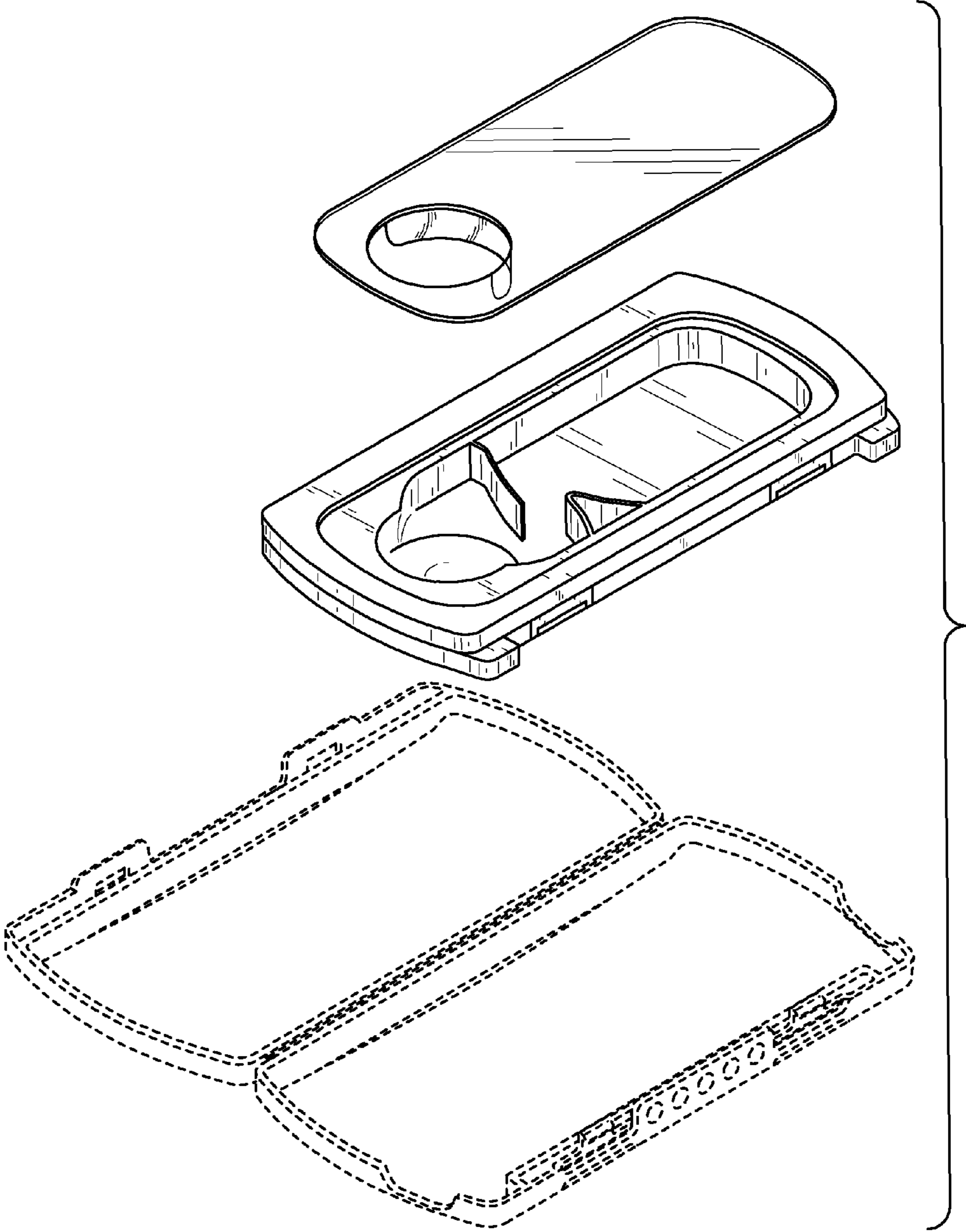


FIG. 5