



US00D638296S

(12) **United States Design Patent**
Levine

(10) **Patent No.:** **US D638,296 S**

(45) **Date of Patent:** **** May 24, 2011**

(54) **HOLDER FOR SUSPENDING A PUMP BOTTLE**

(76) Inventor: **Rachel Levine**, New York, NY (US)

(**) Term: **14 Years**

(21) Appl. No.: **29/348,200**

(22) Filed: **Dec. 9, 2009**

(51) **LOC (9) Cl.** **09-07**

(52) **U.S. Cl.** **D9/455; D9/434**

(58) **Field of Classification Search** D9/456,
D9/455, 443, 435, 434; D8/349, 403, 356;
D7/622; D3/202; D25/122, 119, 103; D19/89,
D19/65; 452/187; 294/152, 149; 24/462,
24/30.5 R, 17 R; 224/240, 220, 148.7, 148.6;
220/742; 141/392

See application file for complete search history.

(56) **References Cited**

U.S. PATENT DOCUMENTS

2,985,480	A *	5/1961	Otley	294/74
3,592,502	A *	7/1971	Bolliger	294/74
3,776,585	A *	12/1973	Bridgehouse	294/74
3,919,740	A	11/1975	Scherb	17/44
4,569,108	A	2/1986	Schwab	24/17
5,082,156	A *	1/1992	Braun	224/220
5,147,079	A	9/1992	Heather	224/148

5,660,309	A *	8/1997	Belanger et al.	224/250
5,695,234	A *	12/1997	Coticchio et al.	294/152
6,279,794	B1	8/2001	Miyazaki	224/148
6,412,674	B1	7/2002	Lipke	224/240
6,447,037	B1	9/2002	Crouch	294/149
D471,006	S *	3/2003	French	D3/221
2005/0274753	A1 *	12/2005	Swentor et al.	224/148.6

* cited by examiner

Primary Examiner — Susan Bennett Hattan

(74) *Attorney, Agent, or Firm* — Goldstein Law Offices, P.C.

(57) **CLAIM**

The ornamental design for a holder for suspending a pump bottle, as shown and described.

DESCRIPTION

FIG. 1 is a perspective view of the holder for suspending a pump bottle.

FIG. 2 is a front elevational view thereof.

FIG. 3 is a rear elevational view thereof.

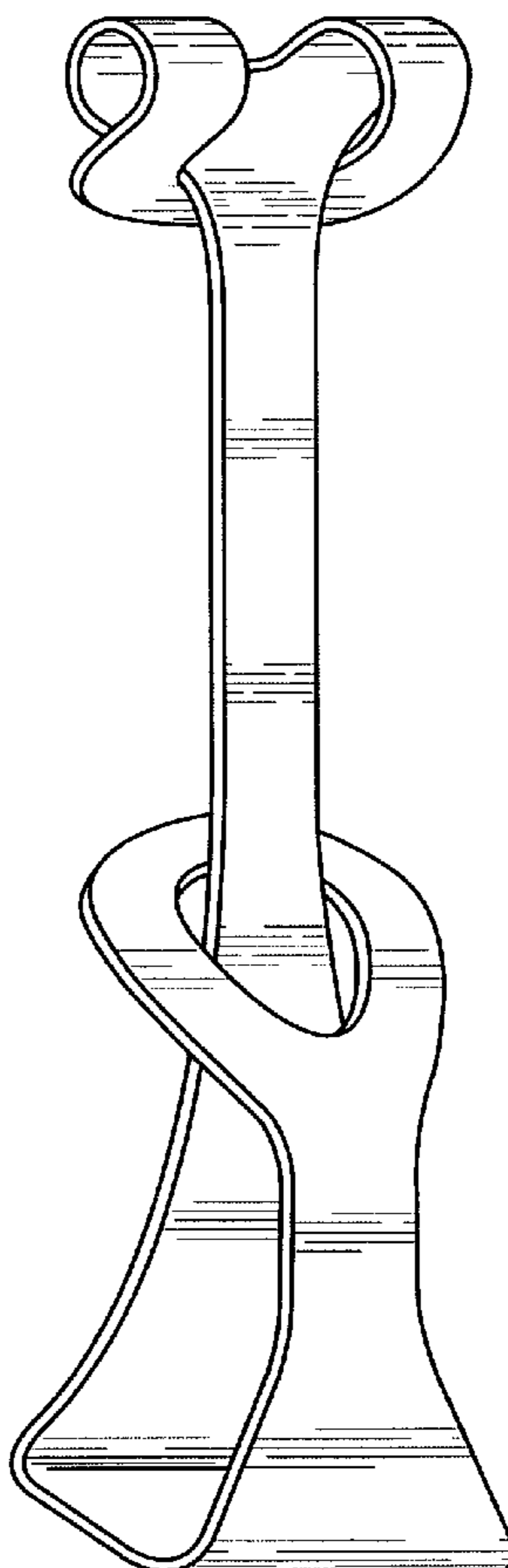
FIG. 4 is a left side view thereof, the right side view being a mirror image of the left side view.

FIG. 5 is a top plan view thereof.

FIG. 6 is a bottom plan view thereof; and,

FIG. 7 is perspective view showing the design with environmental matter, namely a pump bottle, in broken lines which form no part of the claimed design.

1 Claim, 4 Drawing Sheets



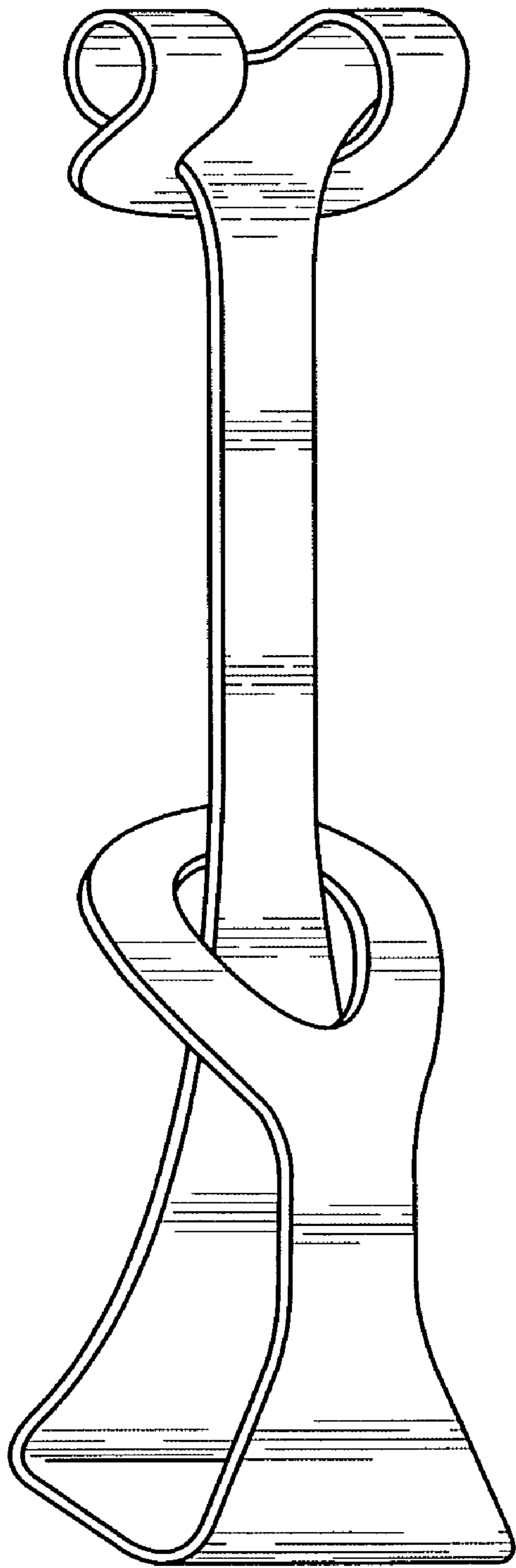


FIG. 1

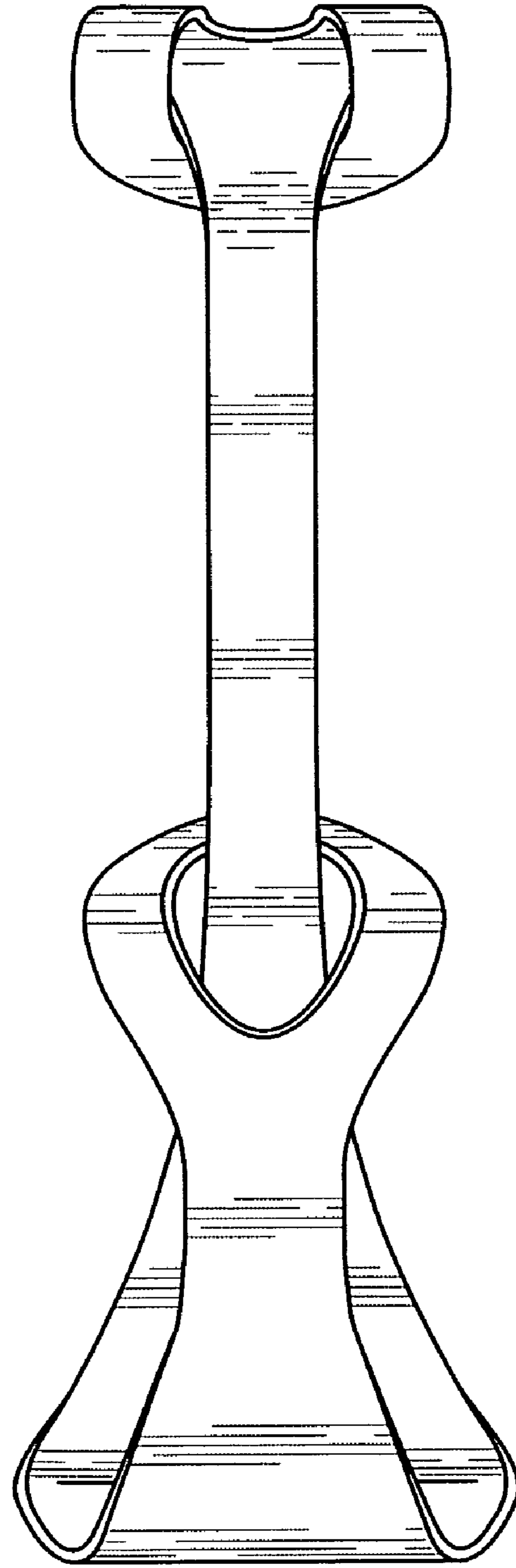


FIG. 2

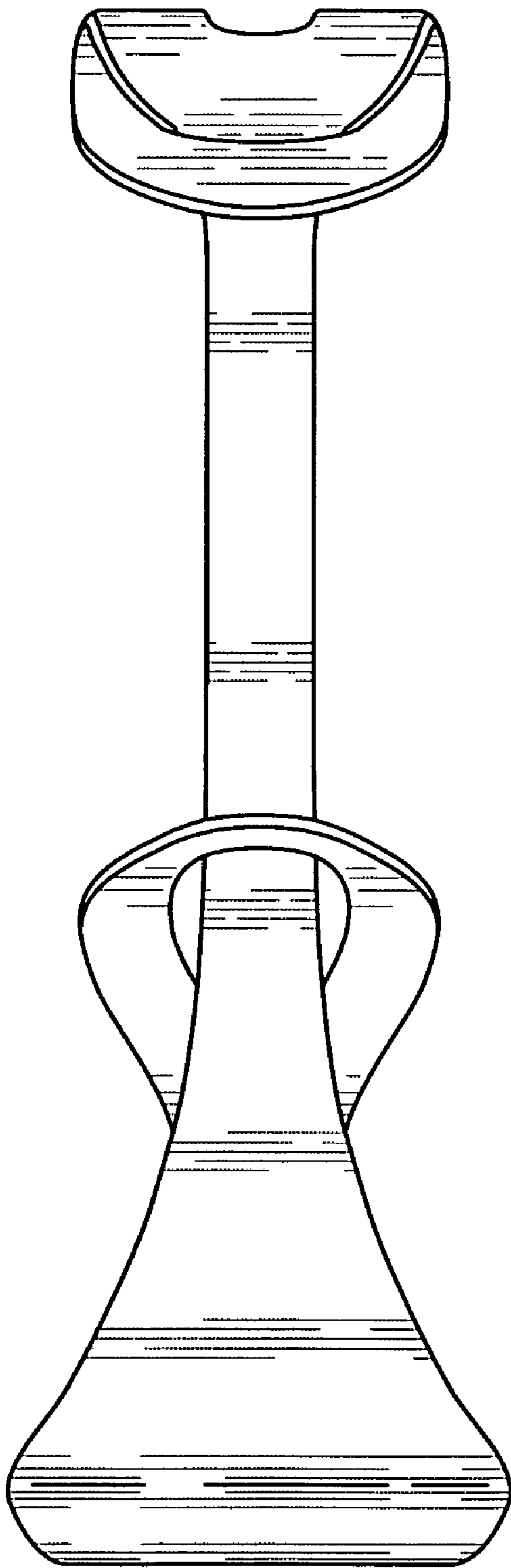


FIG. 3

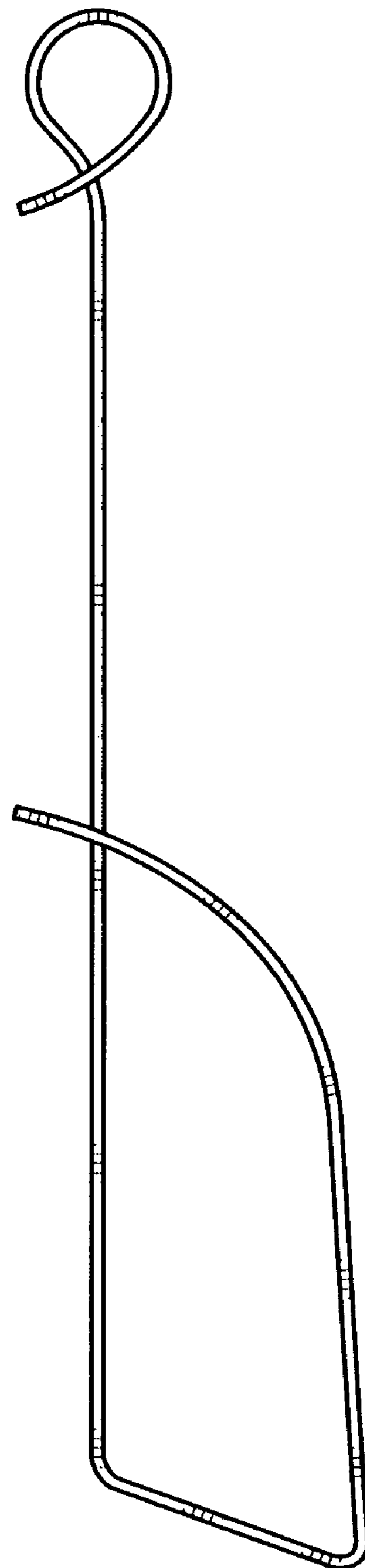


FIG. 4

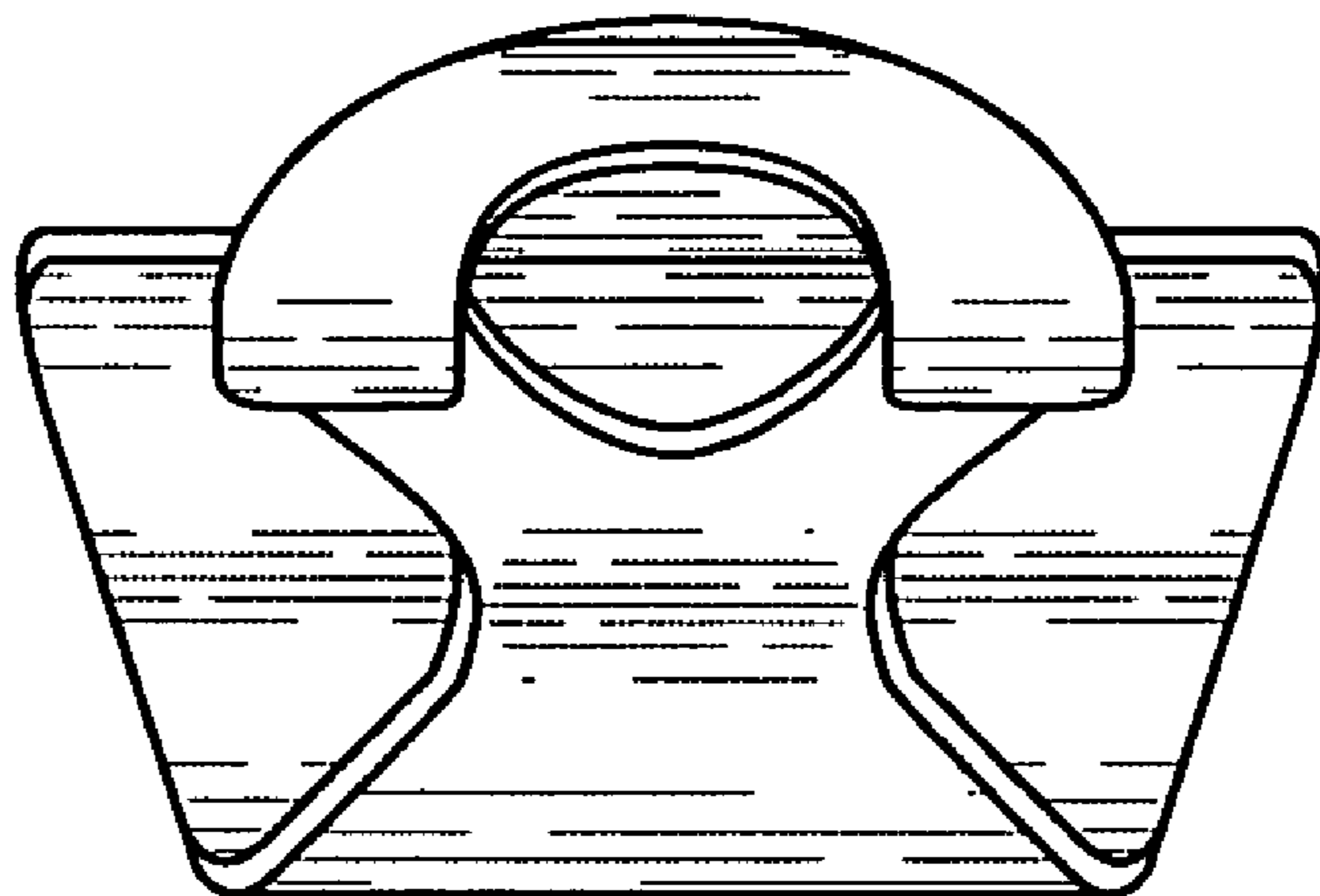


FIG. 5

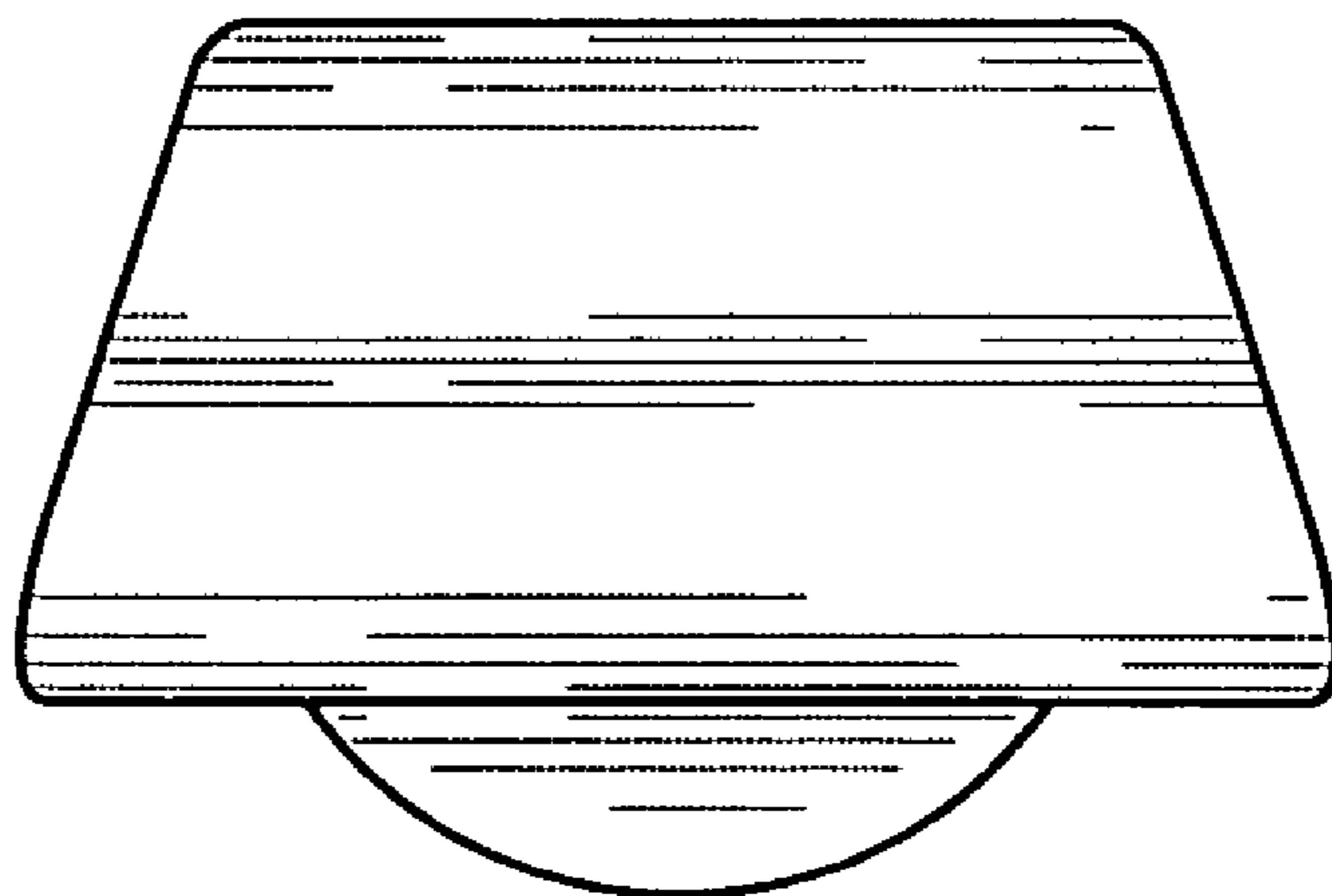


FIG. 6

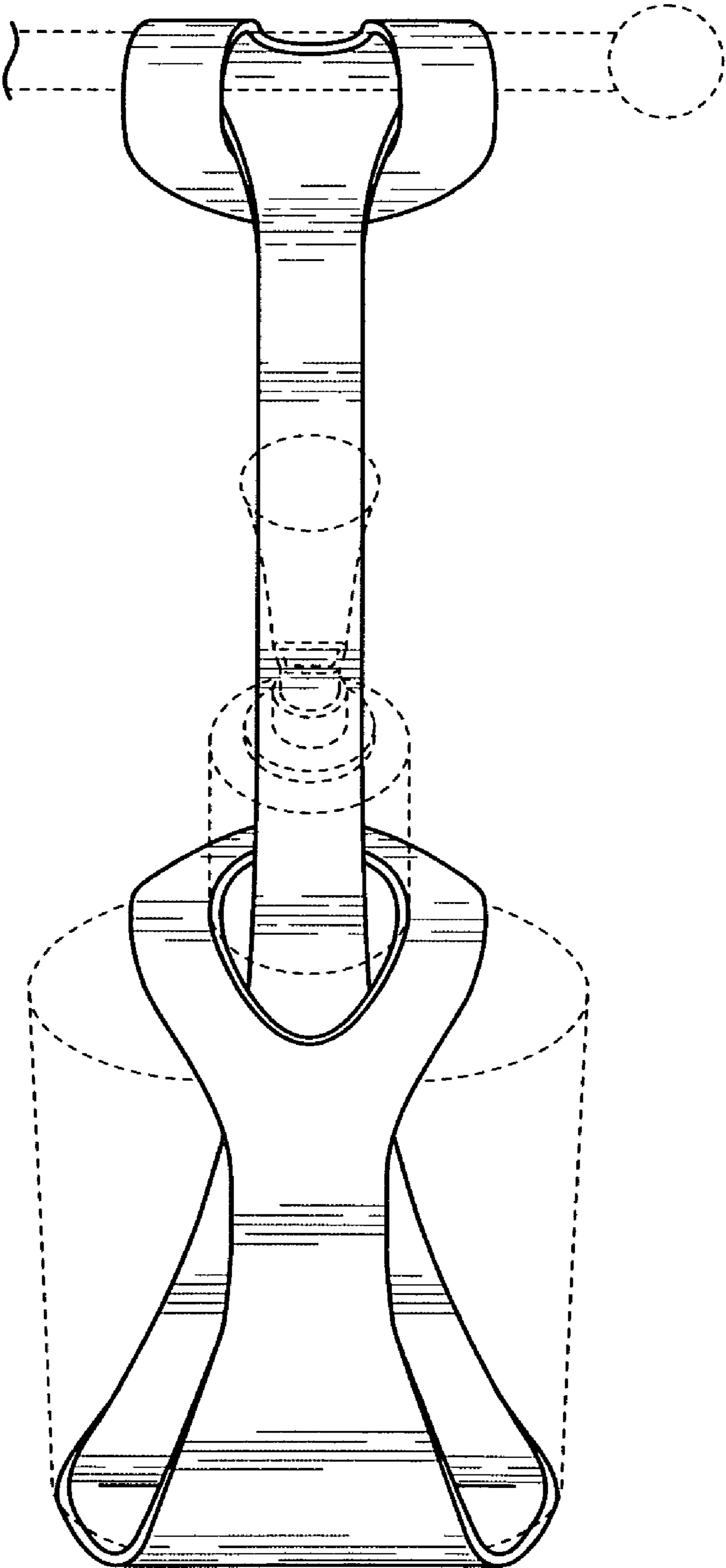


FIG. 7