



US00D638295S

(12) **United States Design Patent**
Heidel et al.

(10) **Patent No.:** **US D638,295 S**

(45) **Date of Patent:** **** *May 24, 2011**

(54) **CAP**

(75) Inventors: **Andrew Peter Heidel**, Cincinnati, OH (US); **Ian Andrew Carnduff**, New York, NY (US); **Paul Frank Diehl**, Brooklyn, NY (US)

(73) Assignee: **The Procter & Gamble Company**, Cincinnati, OH (US)

D546,684 S	7/2007	Crawford et al.	
D573,031 S *	7/2008	Hestehave	D9/541
D577,593 S *	9/2008	Hestehave	D9/541
D589,810 S	4/2009	van der Krogt et al.	
D590,711 S *	4/2009	Floyd et al.	D9/435
D592,054 S *	5/2009	Floyd et al.	D9/435
D598,284 S *	8/2009	Floyd et al.	D9/451
D600,121 S *	9/2009	Marotti et al.	D9/454
D604,612 S *	11/2009	Germann	D9/453
D608,195 S *	1/2010	Germann	D9/443
D609,565 S *	2/2010	Floyd et al.	D9/435
D612,239 S *	3/2010	Marotti et al.	D9/452

(**) Term: **14 Years**

FOREIGN PATENT DOCUMENTS

(21) Appl. No.: **29/358,599**

CA 100987 4/2005

(22) Filed: **Mar. 30, 2010**

* cited by examiner

(51) **LOC (9) Cl.** **09-07**

Primary Examiner — Susan Bennett Hattan

(52) **U.S. Cl.** **D9/454**

(74) *Attorney, Agent, or Firm* — Melissa G. Krasovec; Leonard W. Lewis; Steven W. Miller

(58) **Field of Classification Search** D9/651, D9/453, 452, 450, 449, 446, 443, 435; 222/83; 220/277; 215/252, 216, 206, 222, 219
See application file for complete search history.

(57) **CLAIM**

The ornamental design for a cap, as shown and described.

DESCRIPTION

(56) **References Cited**

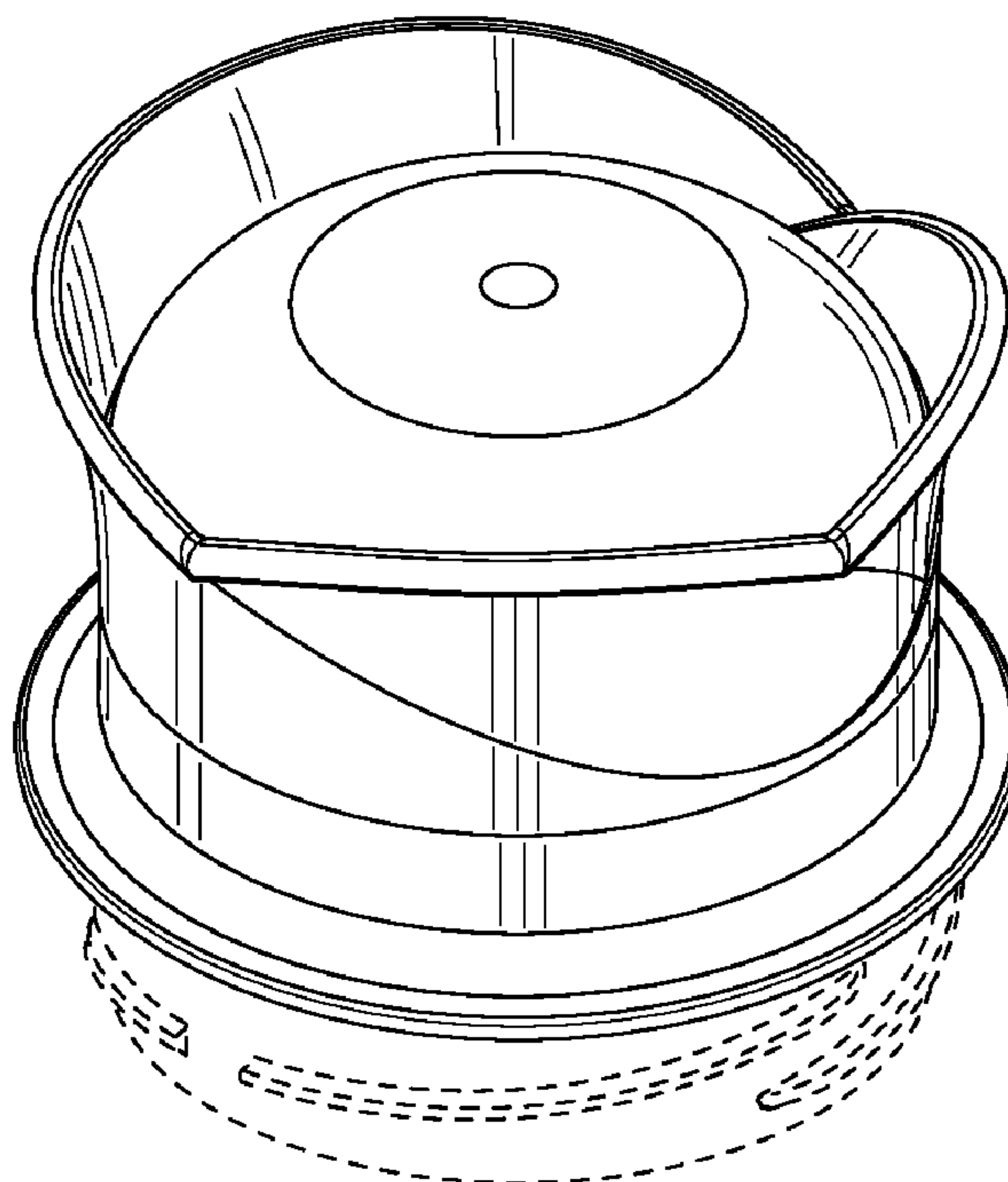
U.S. PATENT DOCUMENTS

D96,926 S *	9/1935	Lindeman	D9/451
D101,623 S *	10/1936	Fleisch	D9/453
D264,054 S *	4/1982	Kieber	D9/453
D352,906 S *	11/1994	Gobe	D9/663
D443,513 S *	6/2001	Goettner	D9/452
D512,911 S *	12/2005	Floyd et al.	D9/435
D534,427 S	1/2007	Crawford	
D535,879 S	1/2007	Crawford et al.	
D542,654 S *	5/2007	Szczesniak	D9/453
D544,348 S *	6/2007	Szczesniak	D9/453

FIG. 1 is a perspective view of a cap;
FIG. 2 is a front view thereof;
FIG. 3 is a back view thereof;
FIG. 4 is a right view thereof;
FIG. 5 is a left view thereof;
FIG. 6 is a top view thereof; and,
FIG. 7 is a bottom view thereof.

The broken lines in the drawings depict environmental subject matter only and form no part of the claimed design.

1 Claim, 3 Drawing Sheets



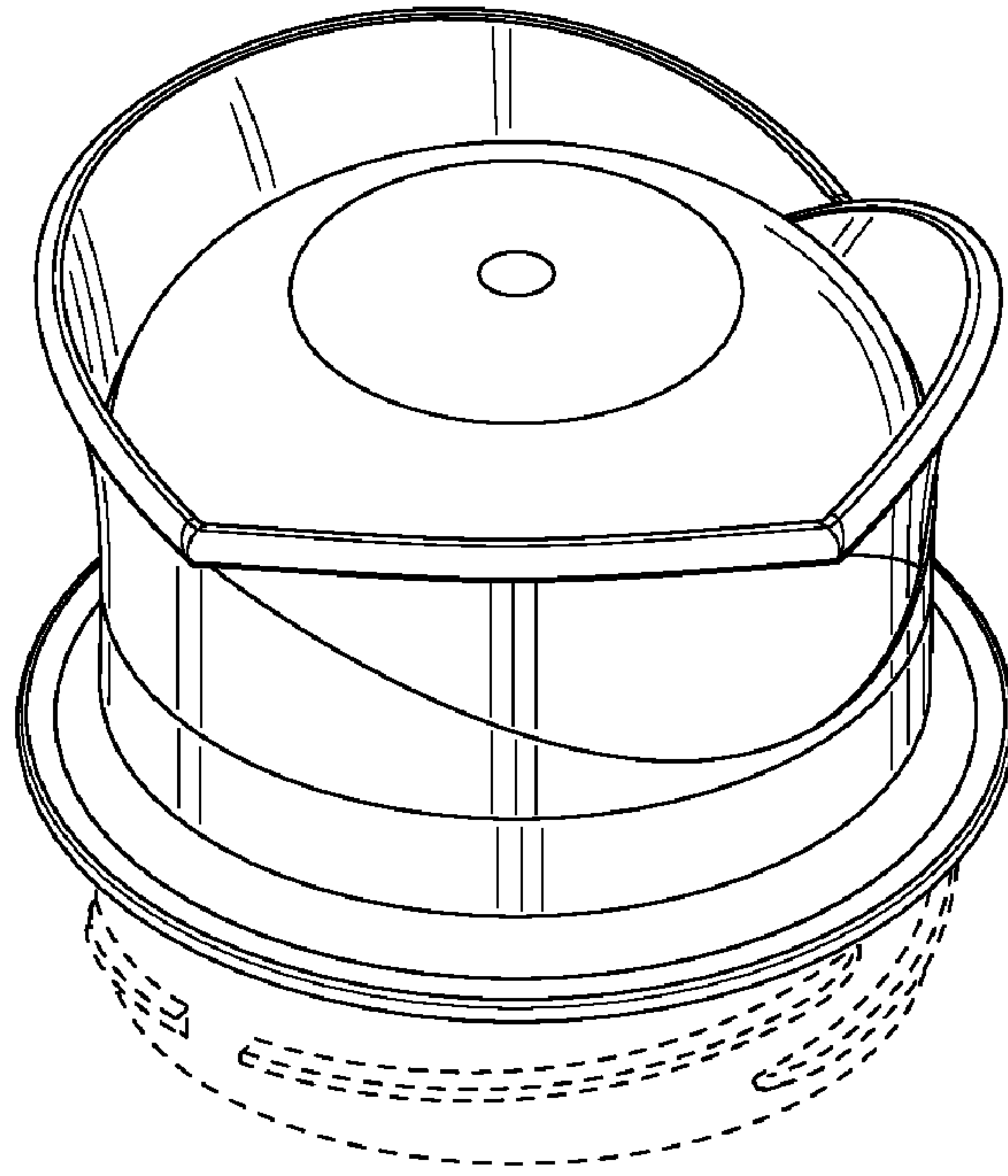


Fig. 1

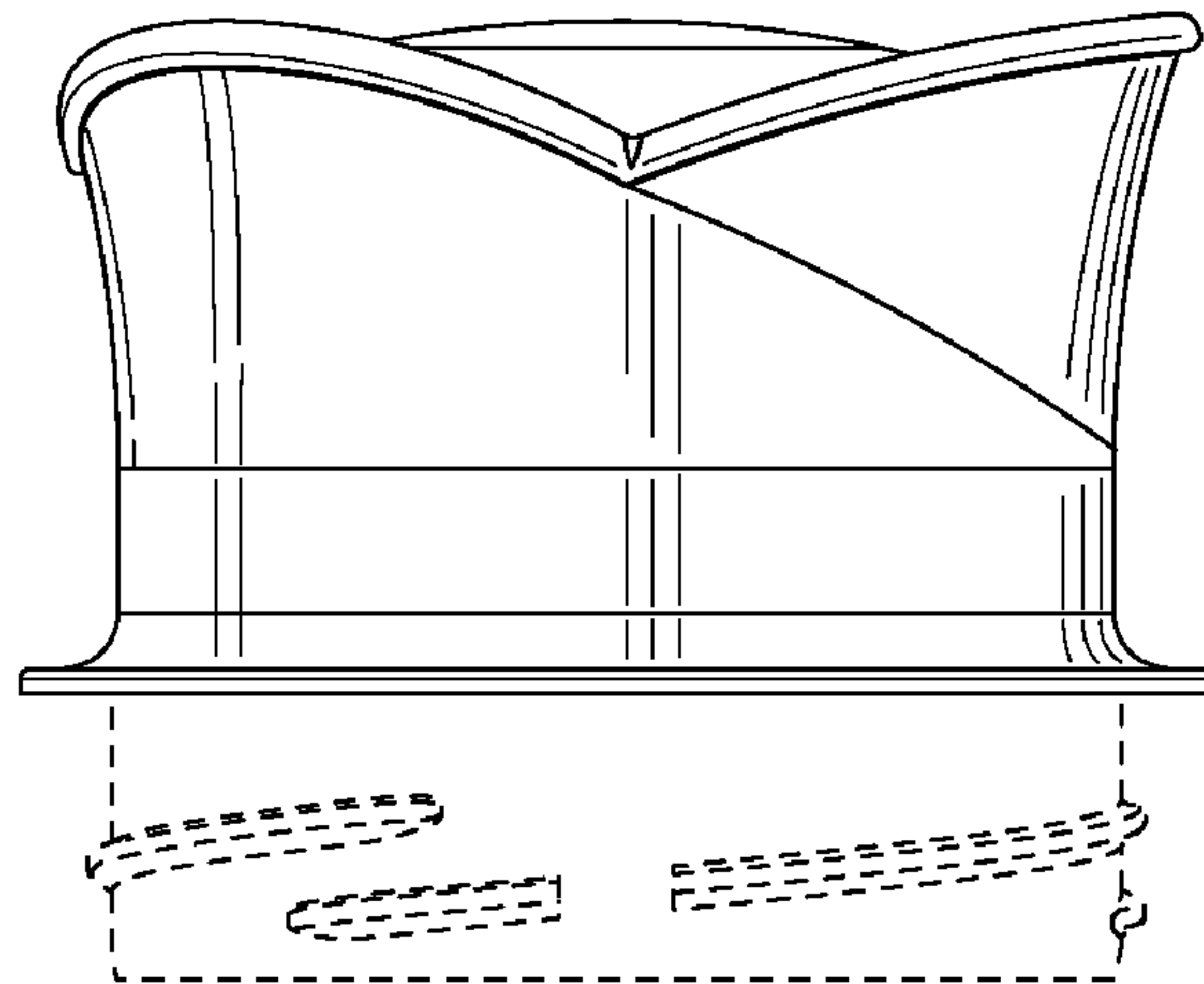


Fig. 2

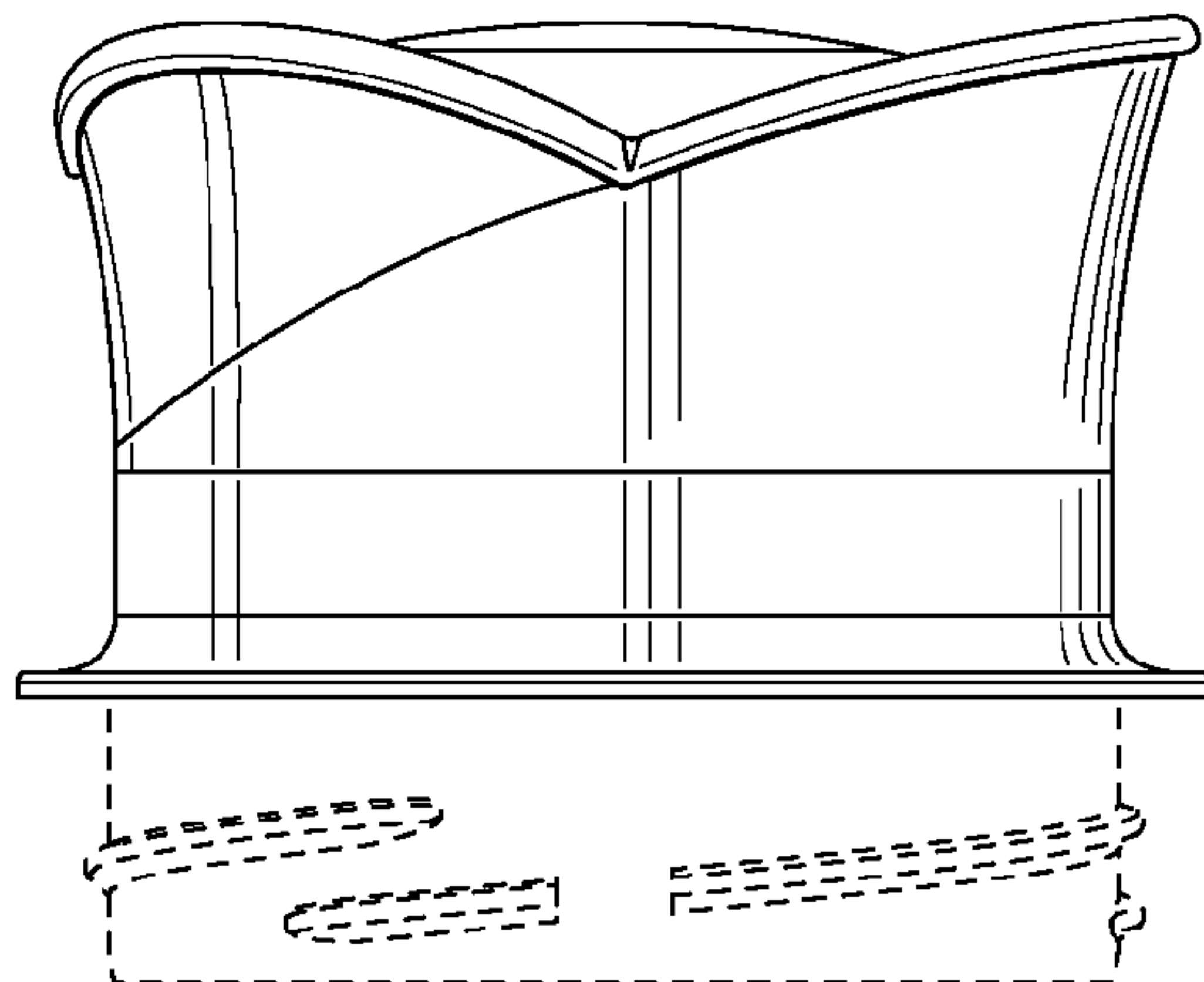


Fig. 3

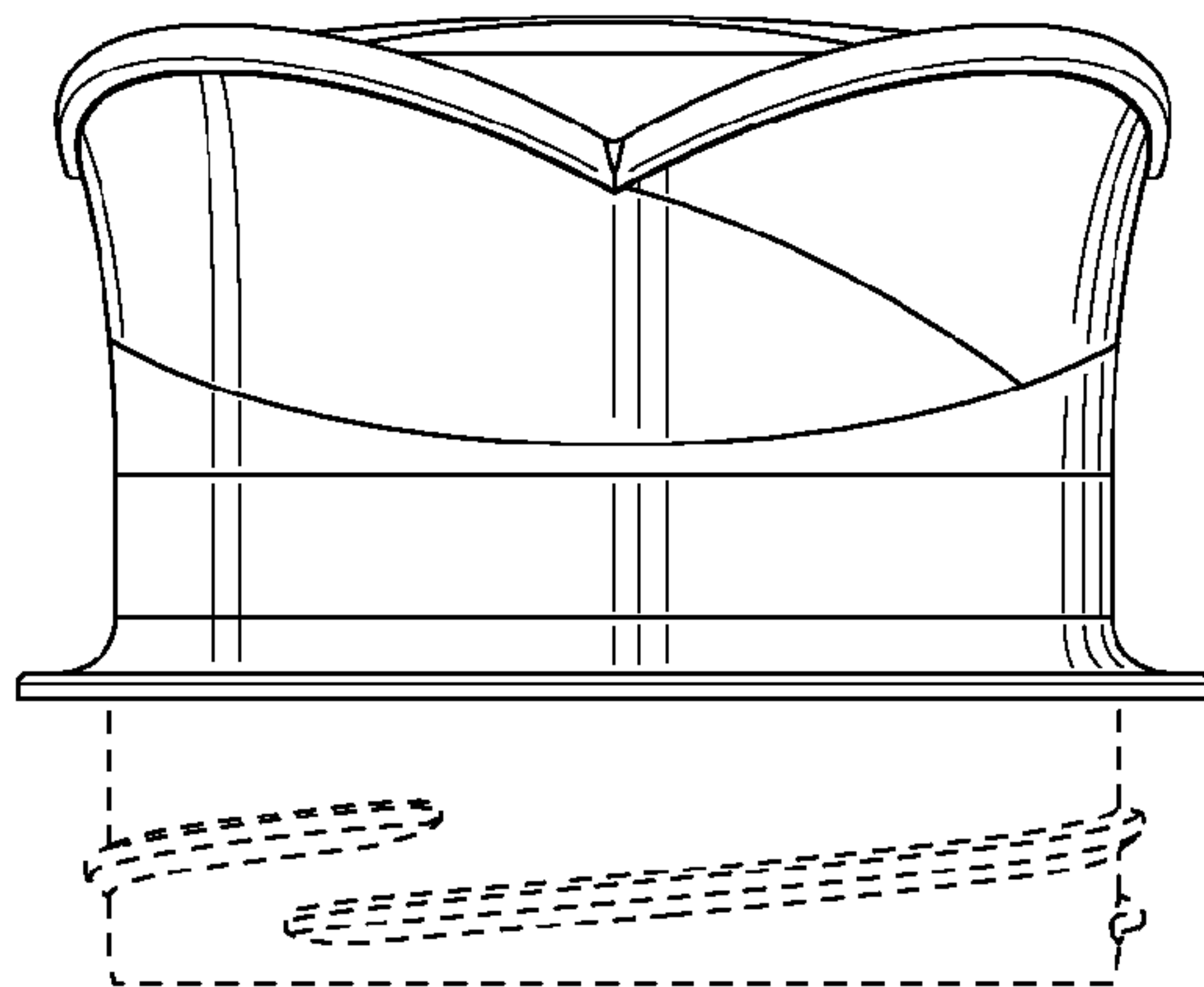


Fig. 4

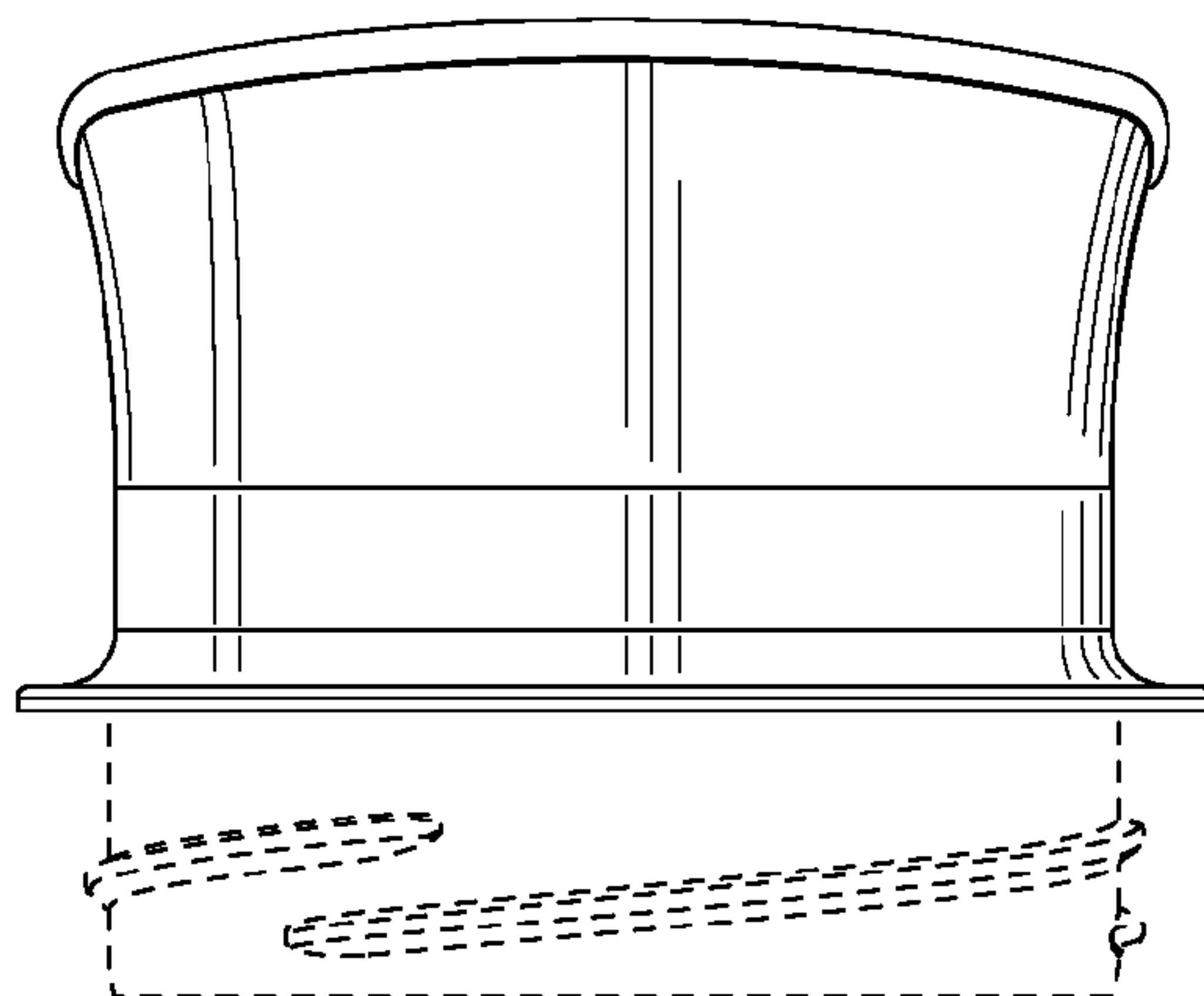


Fig. 5

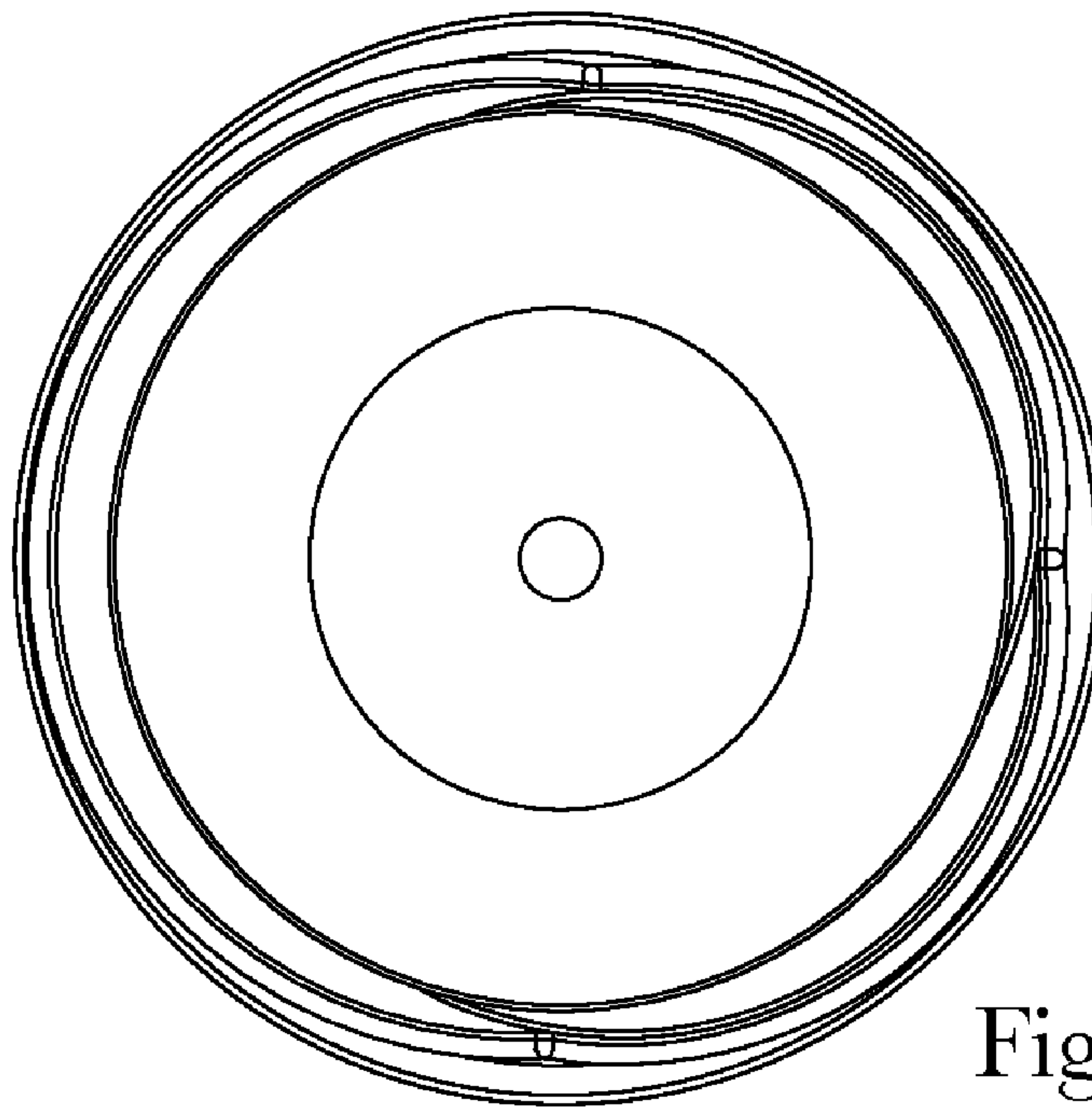


Fig. 6

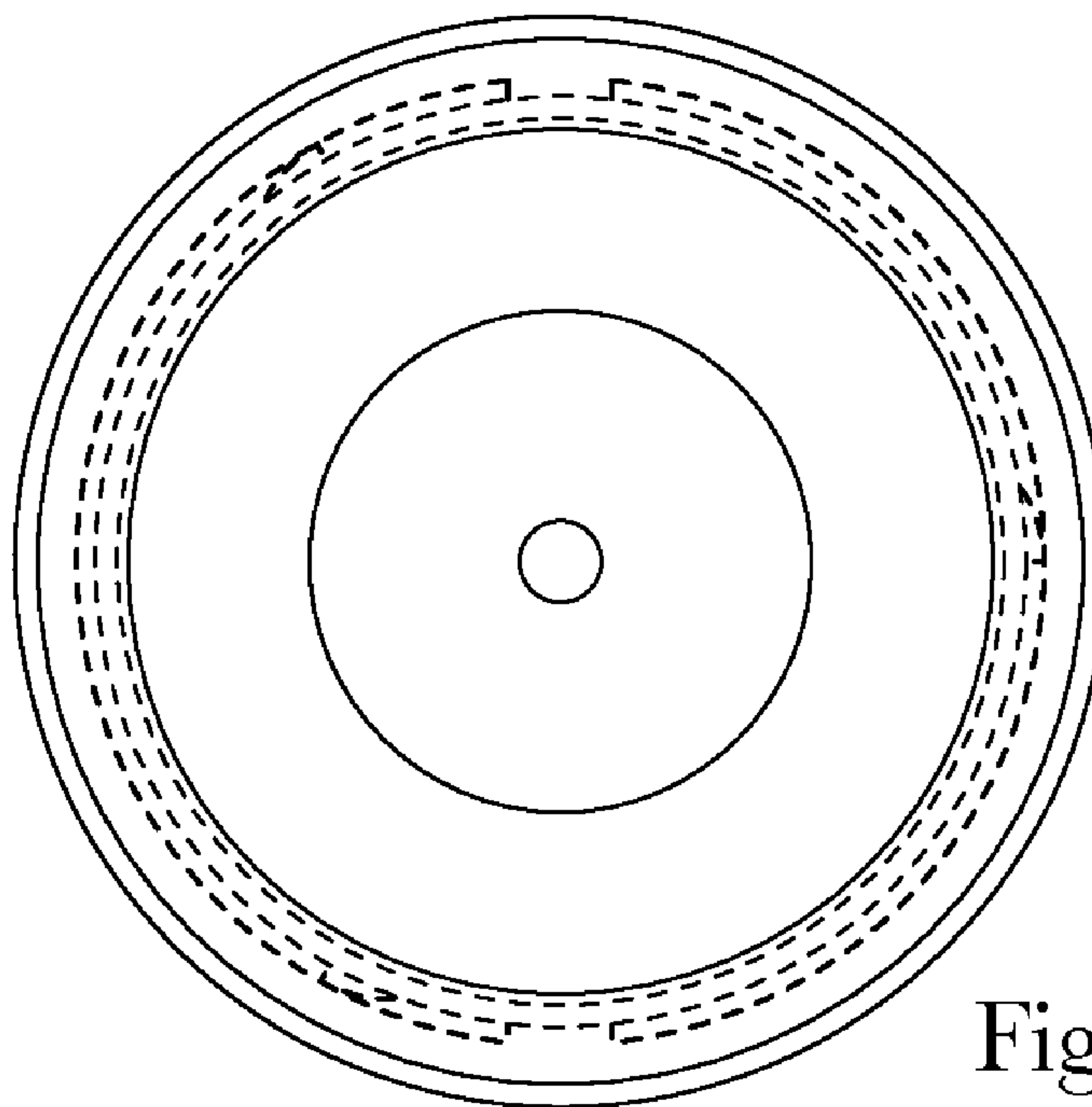


Fig. 7

UNITED STATES PATENT AND TRADEMARK OFFICE
CERTIFICATE OF CORRECTION

PATENT NO. : D638,295 S
APPLICATION NO. : 29/358599
DATED : May 24, 2011
INVENTOR(S) : Heidel et al.


Page 1 of 1

It is certified that error appears in the above-identified patent and that said Letters Patent is hereby corrected as shown below:

Title Page, item (75);

In the list of Inventors, delete "Brooklin" and insert --Brooklyn--.

Signed and Sealed this
Ninth Day of August, 2011

A handwritten signature in black ink that reads "David J. Kappos". The signature is written in a cursive, slightly slanted style.

David J. Kappos
Director of the United States Patent and Trademark Office