



US00D638294S

(12) **United States Design Patent**
Heidel et al.

(10) **Patent No.:** **US D638,294 S**

(45) **Date of Patent:** **** *May 24, 2011**

(54) **CAP**
(75) Inventors: **Andrew Peter Heidel**, Cincinnati, OH (US); **Ian Andrew Carnduff**, New York, NY (US); **Paul Frank Diehl**, Brooklyn, NY (US)

(73) Assignee: **The Procter & Gamble Company**, Cincinnati, OH (US)

(**) Term: **14 Years**

(21) Appl. No.: **29/358,600**

(22) Filed: **Mar. 30, 2010**

(51) **LOC (9) Cl.** **09-07**

(52) **U.S. Cl.** **D9/452; D9/453; D9/454**

(58) **Field of Classification Search** D9/651, D9/453, 452, 450, 449, 446, 443, 435; 222/83; 220/277; 215/252, 216, 206, 222, 219
See application file for complete search history.

(56) **References Cited**

U.S. PATENT DOCUMENTS

D101,623 S *	10/1936	Fleish	D9/453
D264,054 S *	4/1982	Kieber	D9/453
D381,911 S	8/1997	Lathrop et al.		
D382,482 S	8/1997	Lathrop et al.		
D417,397 S	12/1999	Forecast et al.		
D443,513 S *	6/2001	Goettner	D9/452
D444,065 S	6/2001	Crawford et al.		
D449,783 S	10/2001	Crawford et al.		
D449,784 S	10/2001	Crawford et al.		
D458,138 S	6/2002	Fuchs		
D475,924 S	6/2003	Haffner		
D480,644 S	10/2003	Druitt		
D503,205 S	3/2005	Edwards		
D542,656 S	12/2005	Szczesniak		
D542,140 S	5/2007	Garcia-Ruiz		
D542,654 S *	5/2007	Szczesniak	D9/453
D542,655 S	5/2007	Szczesniak		
D544,348 S *	6/2007	Szczesniak	D9/453

D548,075 S	8/2007	Mavin et al.		
D561,587 S	2/2008	Berman		
D564,355 S	3/2008	Berman		
D566,555 S	4/2008	Berman		
D573,031 S *	7/2008	Hestehave	D9/541
D574,240 S	8/2008	Szczesniak		
D577,593 S *	9/2008	Hestehave	D9/541
D578,889 S	10/2008	Sadiq		
D604,612 S *	11/2009	Germann	D9/453
D606,401 S	12/2009	Kamath et al.		
D608,195 S *	1/2010	Germann	D9/443
D613,162 S	4/2010	Druitt		
D616,745 S	6/2010	Stull et al.		
D616,746 S	6/2010	Stull et al.		
D617,191 S	6/2010	Stull et al.		

FOREIGN PATENT DOCUMENTS

CA	85115	11/1998
CA	99891	9/2004
CA	124489	1/2008
CA	124487	1/2009
CA	129006	4/2010

* cited by examiner

Primary Examiner — Susan Bennett Hattan

(74) *Attorney, Agent, or Firm* — Melissa G. Krasovec; Leonard W. Lewis; Steven W. Miller

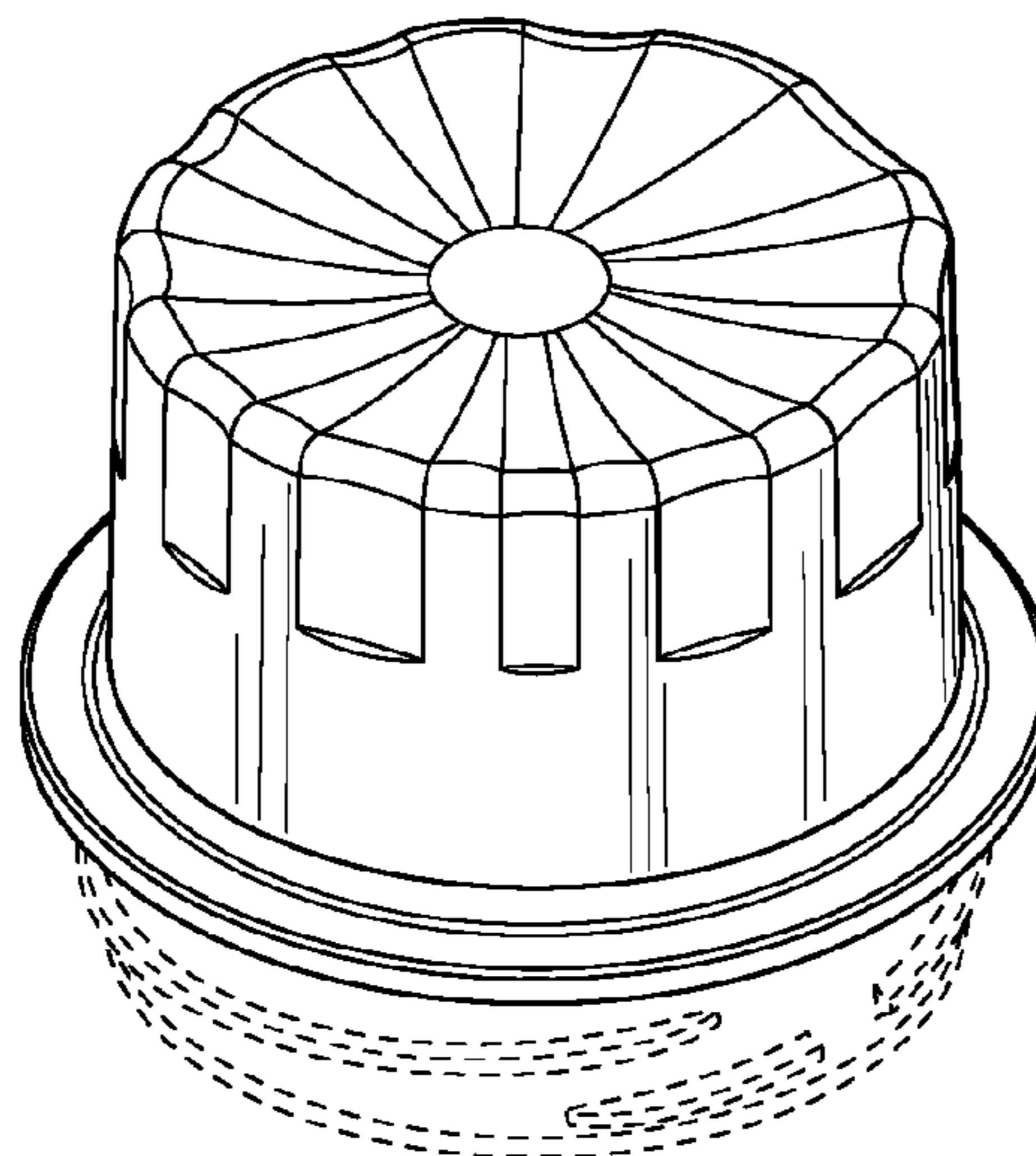
(57) **CLAIM**

The ornamental design for a cap, as shown and described.

DESCRIPTION

FIG. 1 is an upper perspective view of a cap; FIG. 2 is a lower perspective view thereof; FIG. 3 is a top view thereof; FIG. 4 is a bottom view thereof; FIG. 5 is a front view thereof; FIG. 6 is a right view thereof; and, FIG. 7 is a left view thereof. The broken lines in the drawings depict environmental subject matter only and form no part of the claimed design.

1 Claim, 3 Drawing Sheets



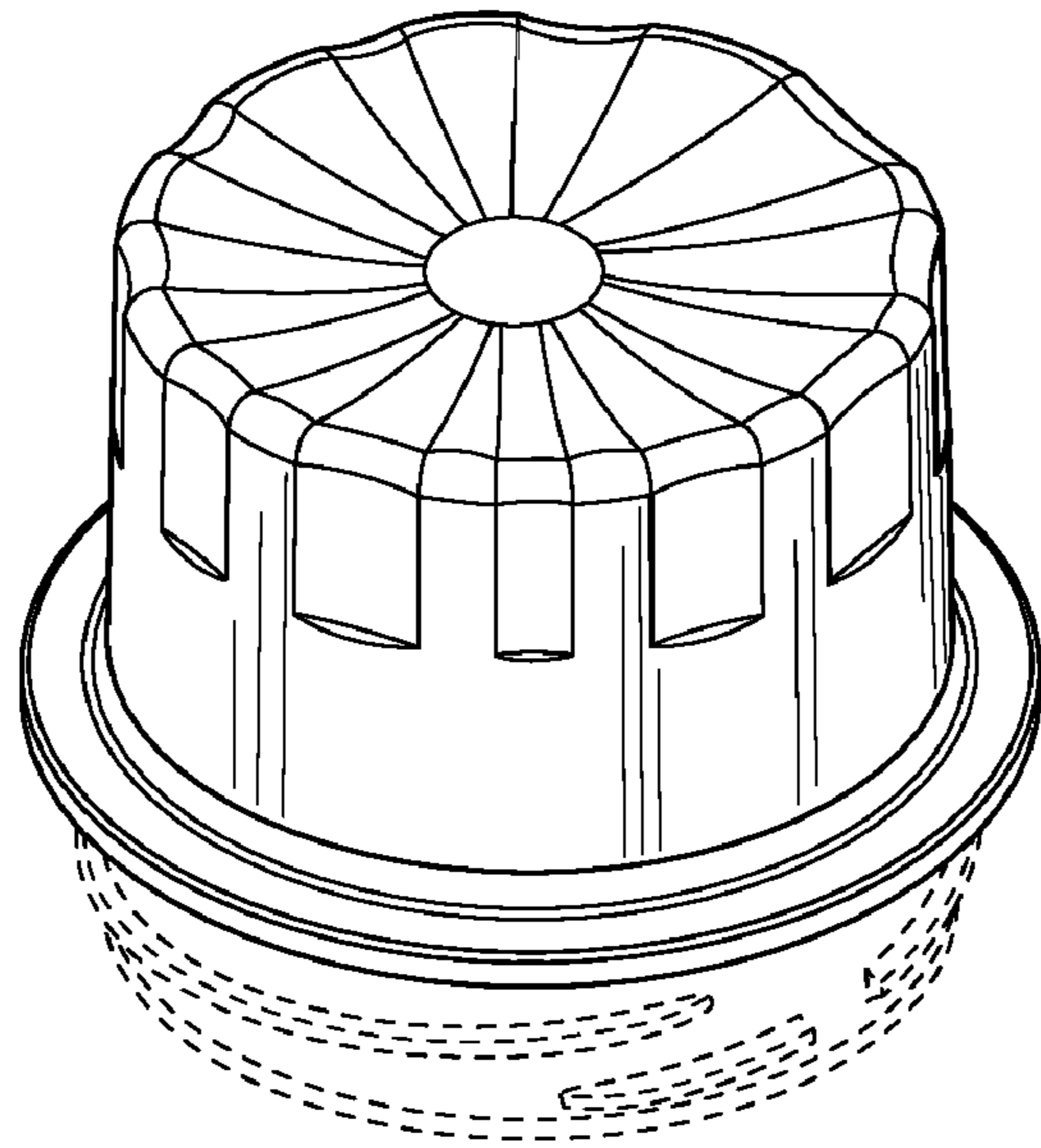


Fig. 1

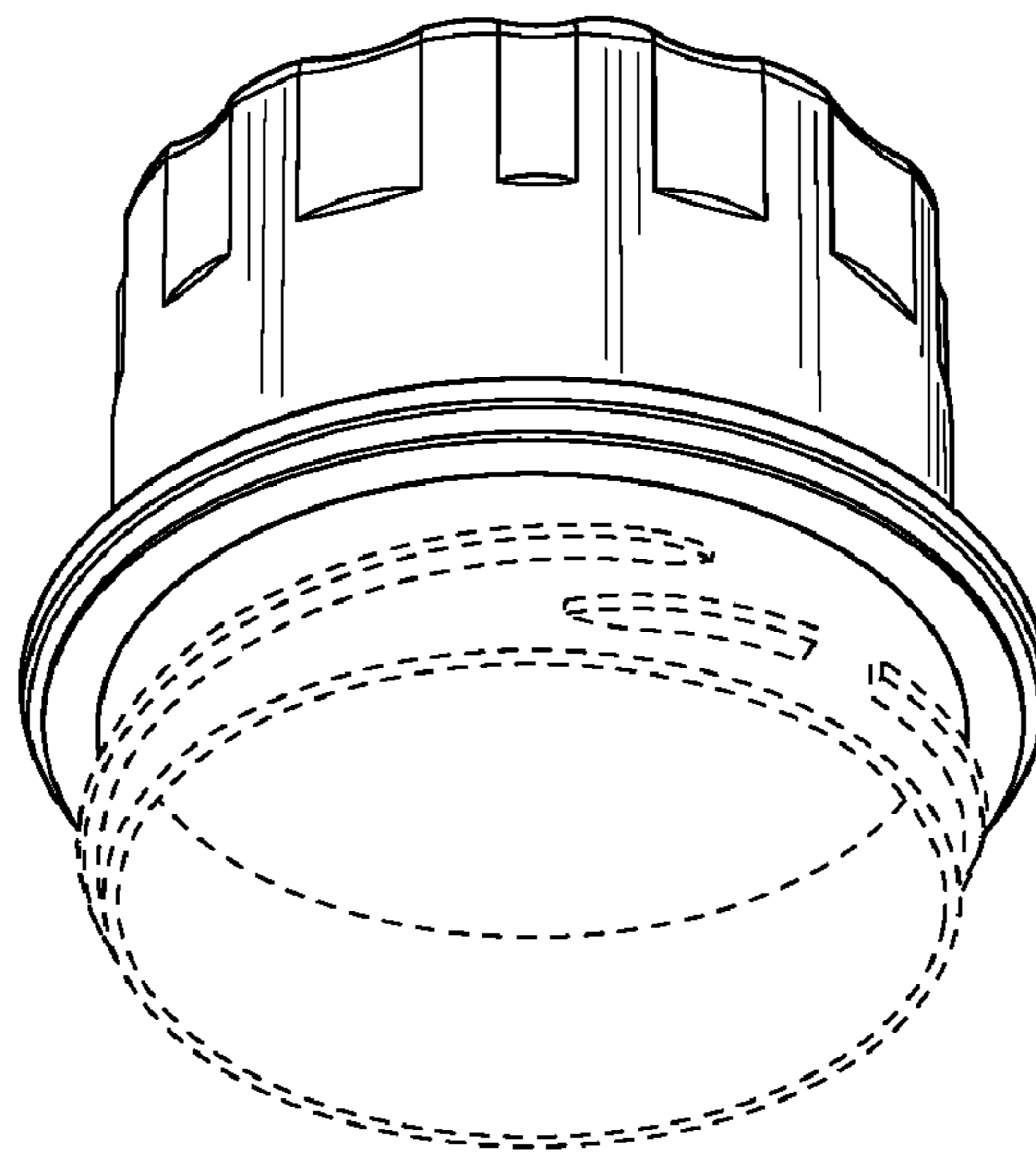


Fig. 2

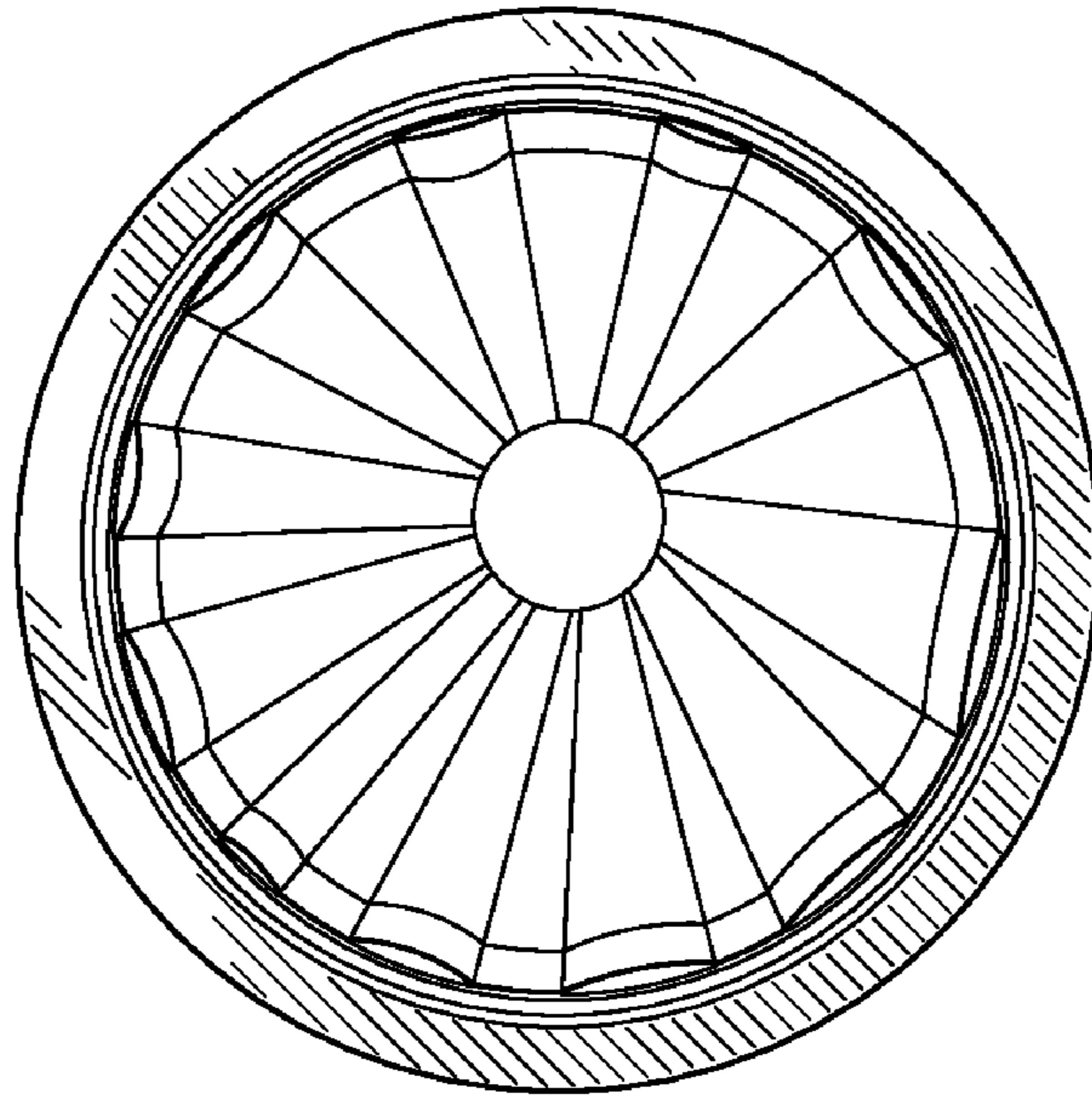


Fig. 3

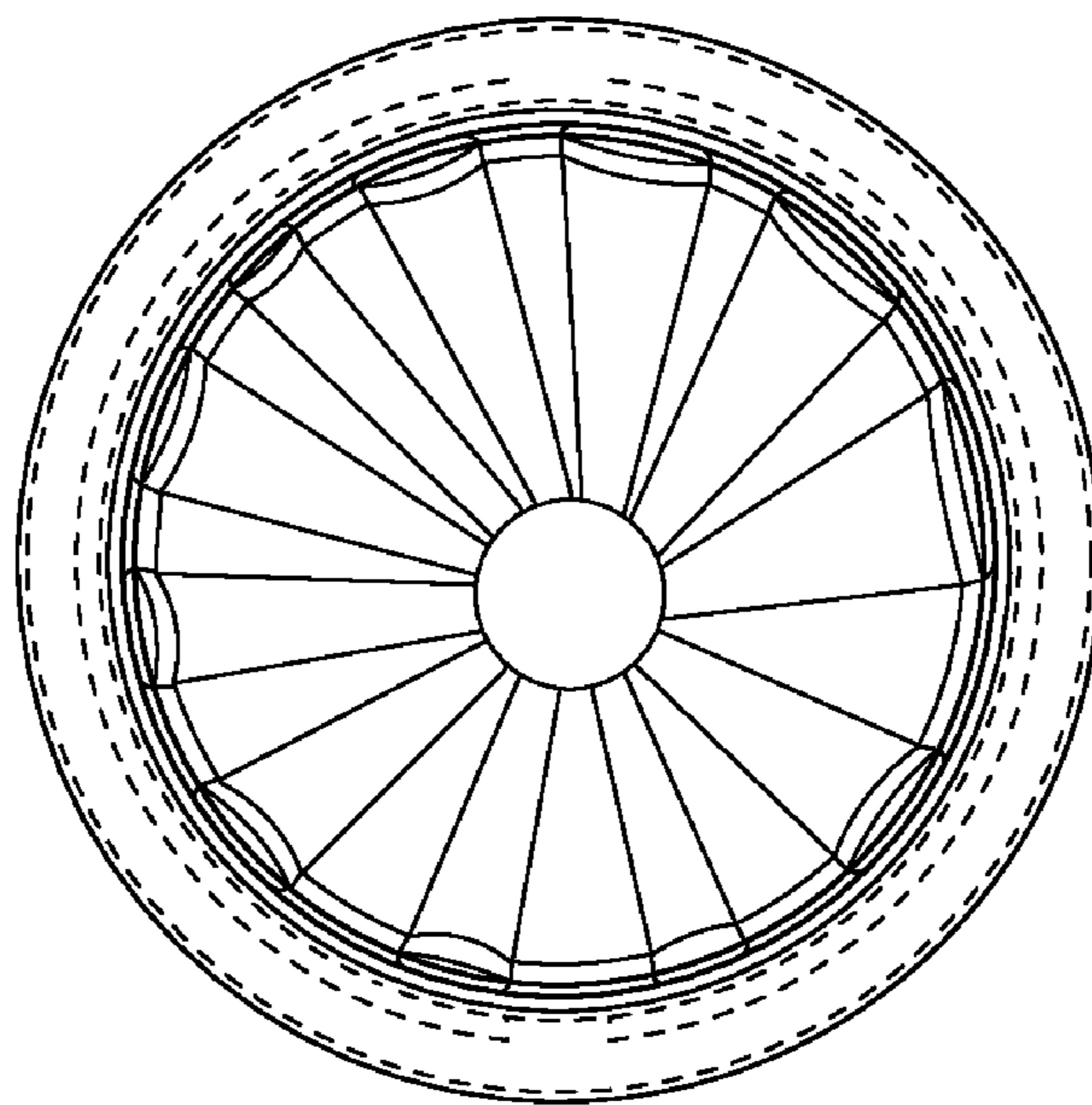


Fig. 4

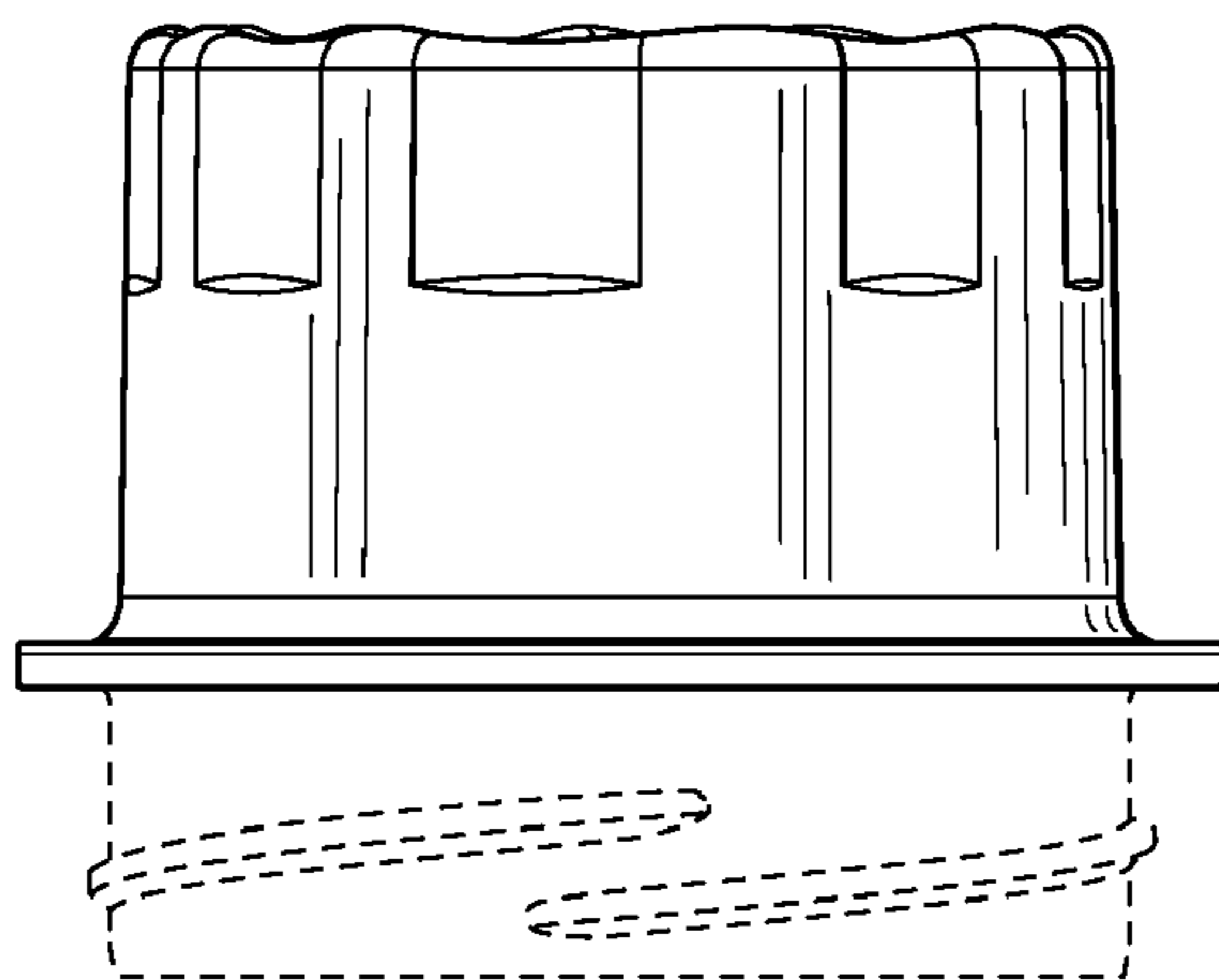


Fig. 5

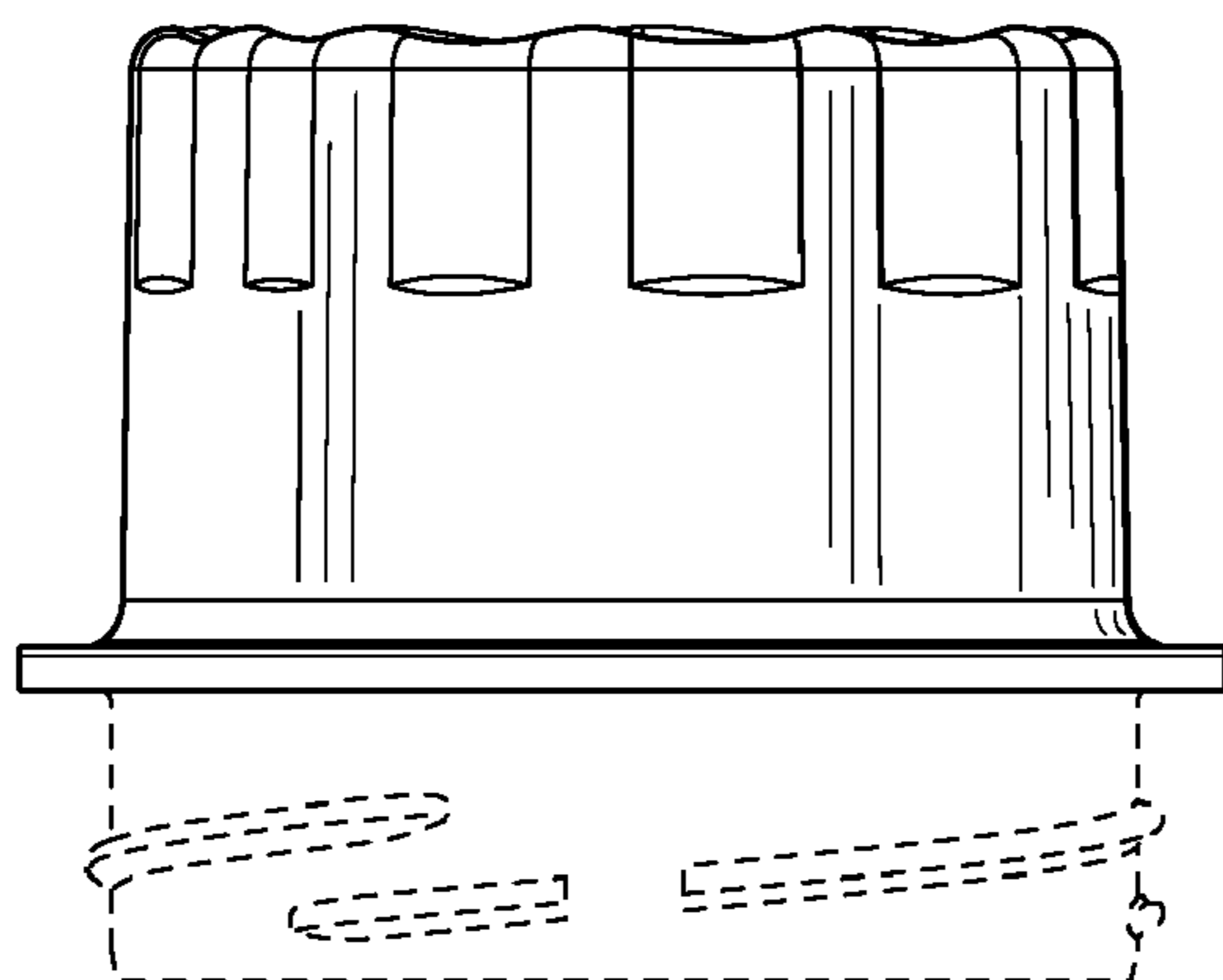


Fig. 6

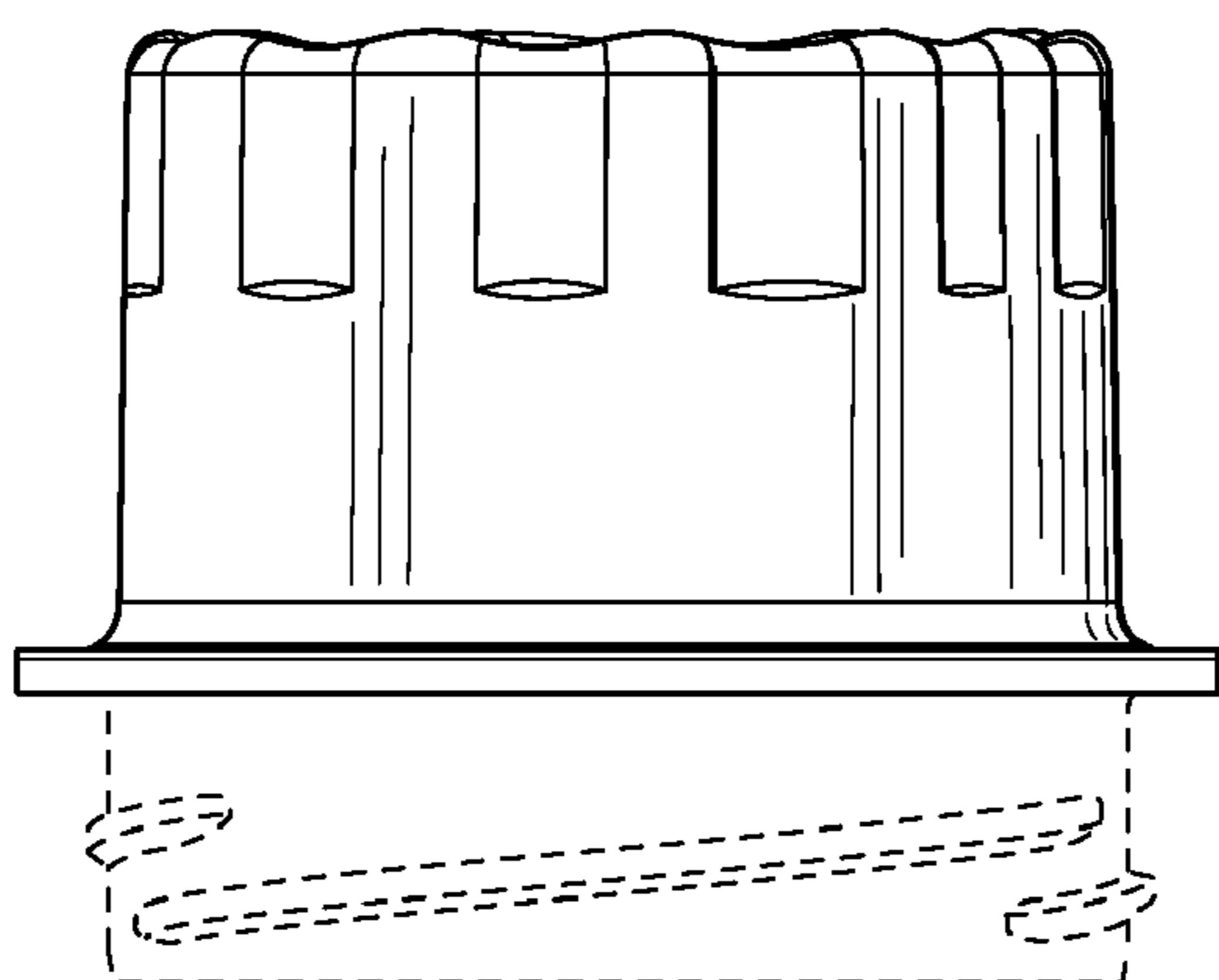


Fig. 7

UNITED STATES PATENT AND TRADEMARK OFFICE
CERTIFICATE OF CORRECTION

PATENT NO. : D638,294 S
APPLICATION NO. : 29/358600
DATED : May 24, 2011
INVENTOR(S) : Heidel et al.

Page 1 of 1

It is certified that error appears in the above-identified patent and that said Letters Patent is hereby corrected as shown below:

Cover Page

In the list of Inventors, delete "Brooklin" and insert --Brooklyn--.

Signed and Sealed this
Nineteenth Day of July, 2011

A handwritten signature in black ink that reads "David J. Kappos". The signature is written in a cursive, slightly slanted style.

David J. Kappos
Director of the United States Patent and Trademark Office