



US00D638293S

(12) **United States Design Patent**
Arnell et al.

(10) **Patent No.:** **US D638,293 S**
(45) **Date of Patent:** **** May 24, 2011**

- (54) **CAP**
- (75) Inventors: **Peter E. Arnell**, New York, NY (US);
Marc T Wiescinski, Chicago, IL (US);
Nicole Green, Barrington, IL (US);
Brent S. Nelson, Lakewood, IL (US);
Paul Gahlman, Muskego, WI (US); **Tim Mazurkiewicz**, Milwaukee, WI (US);
Matt Meisner, Crystal Lake, IL (US);
Michael Cannamela, New York, NY (US);
Jonathan Kim, Brooklyn, NY (US);
Jung-ah Suh, New York, NY (US)

- 5,499,736 A 3/1996 Kohl
5,699,912 A 12/1997 Ishikawa et al.
D473,740 S 4/2003 Ruhotas et al.
6,561,391 B1 5/2003 Baker
D480,268 S 10/2003 Laib
D480,641 S 10/2003 Hurlbut et al.
D495,545 S 9/2004 Niehues
D497,195 S 10/2004 Nishi et al.
6,948,643 B1 9/2005 Lohrman
D513,987 S 1/2006 Bansal
D529,803 S 10/2006 Zaidman
D531,905 S 11/2006 Day
D573,878 S 7/2008 Rathbone et al.
D576,876 S 9/2008 Mount
D581,795 S 12/2008 Appelholm

(73) Assignee: **Tropicana Products, Inc.**, Bradenton, FL (US)

(**) Term: **14 Years**

(21) Appl. No.: **29/379,182**

(22) Filed: **Nov. 16, 2010**

Related U.S. Application Data

(63) Continuation of application No. 29/350,224, filed on Nov. 12, 2009, now Pat. No. Des. 629,300.

(51) **LOC (9) Cl.** **09-07**

(52) **U.S. Cl.** **D9/449**

(58) **Field of Classification Search** D9/529,
D9/504, 503, 454, 453, 452, 450, 449, 447,
D9/446, 443, 435; D7/900, 396.2, 392.1;
222/556, 544, 494, 480, 472, 321.9, 212,
222/185.1; 220/837, 835, 813, 810, 375,
220/254.5; 215/305, 228, 226, 200

See application file for complete search history.

(56) **References Cited**

U.S. PATENT DOCUMENTS

- D184,567 S 3/1959 Keck
D278,312 S 4/1985 Cleevely et al.
4,568,005 A 2/1986 Jalovec et al.
D356,499 S 3/1995 Cautereels et al.

(Continued)

Primary Examiner — Susan Bennett Hattan

(74) *Attorney, Agent, or Firm* — Banner & Witcoff, Ltd.

(57) **CLAIM**

The ornamental design for a cap, as shown and described.

DESCRIPTION

FIG. 1 is a top front right perspective view of a cap showing our new design;

FIG. 2 is a top view thereof;

FIG. 3 is a right side view thereof;

FIG. 4 is a left side view thereof;

FIG. 5 is a front view thereof;

FIG. 6 is a rear view thereof;

FIG. 7 is a top front right perspective view of FIGS. 1-6 in an in-use, open position;

FIG. 8 is a top view thereof;

FIG. 9 is a right side view thereof;

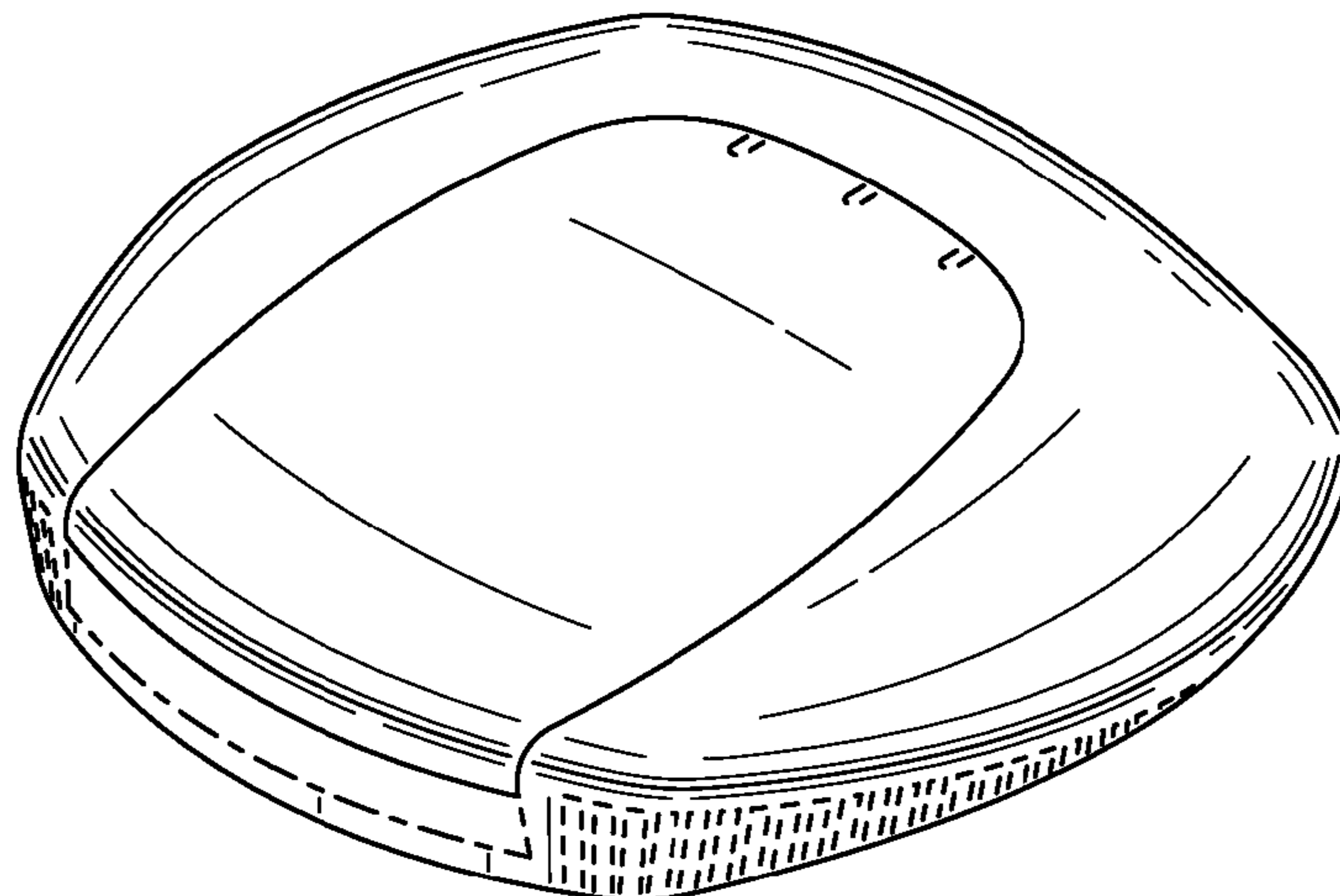
FIG. 10 is a left side view thereof;

FIG. 11 is a front view thereof; and,

FIG. 12 is a rear view thereof.

The uneven-length broken lines represent unclaimed boundaries of the claimed design. The even-length broken lines showing the remainder of the CAP are for environmental purposes only and form no part of the claimed design.

1 Claim, 5 Drawing Sheets



US D638,293 S

Page 2

U.S. PATENT DOCUMENTS

7,644,843 B1 1/2010 Bush et al.
D609,092 S * 2/2010 Laib et al. D9/449
D625,999 S 10/2010 Arnell et al.

D628,893 S * 12/2010 Groubert et al. D9/449
2007/0170191 A1 7/2007 Arvidsson et al.

* cited by examiner

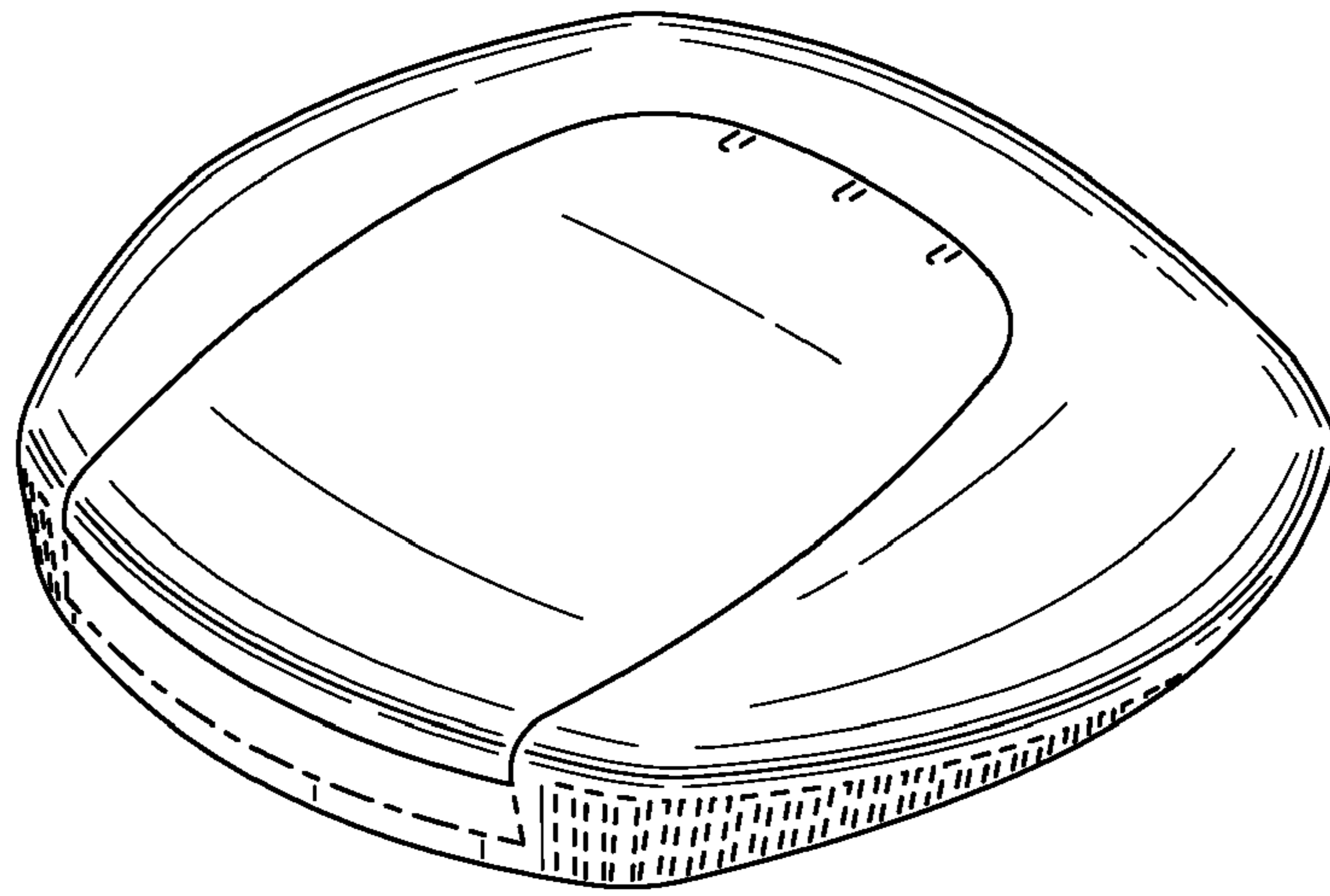


FIG. 1

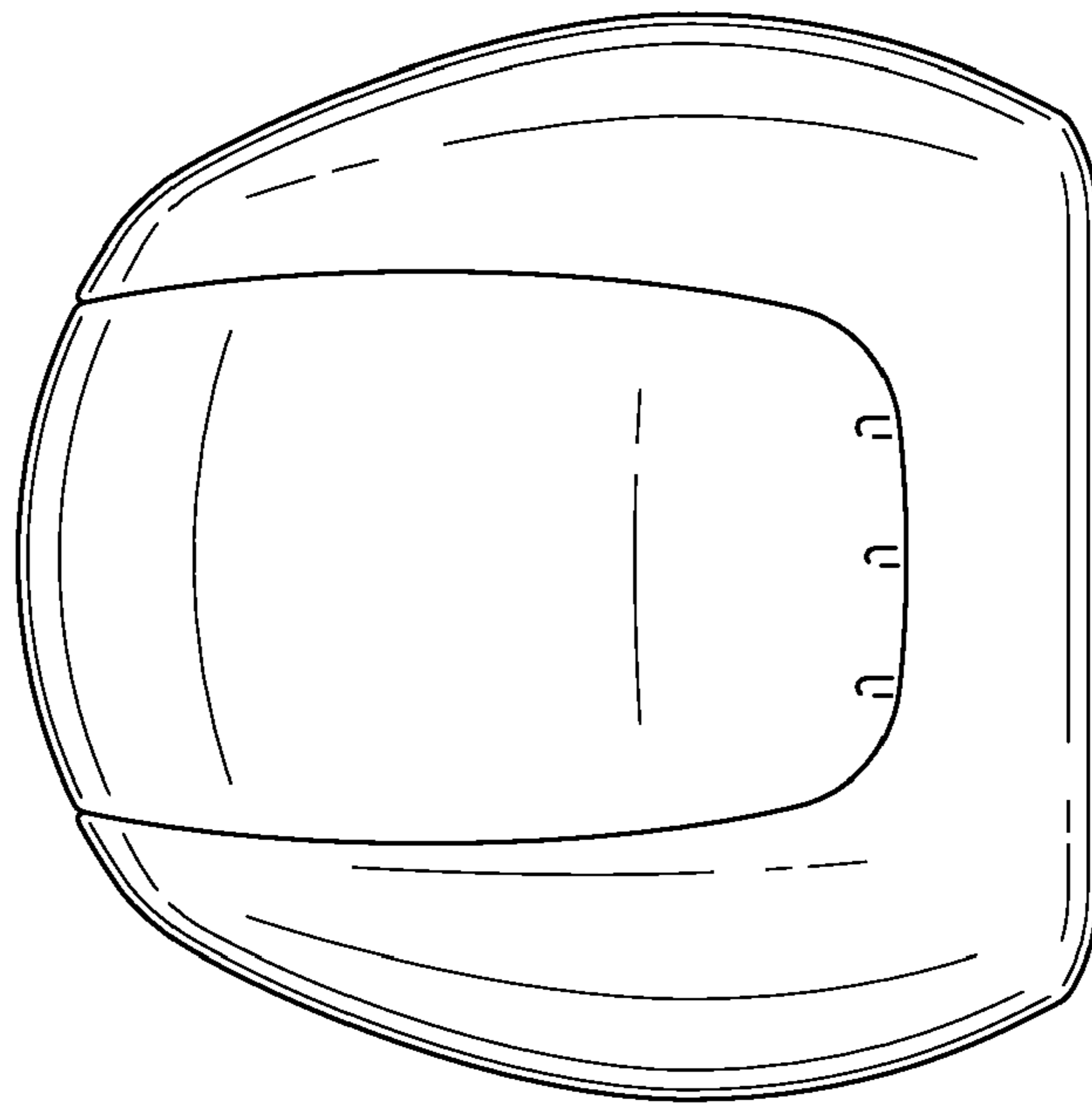


FIG. 2

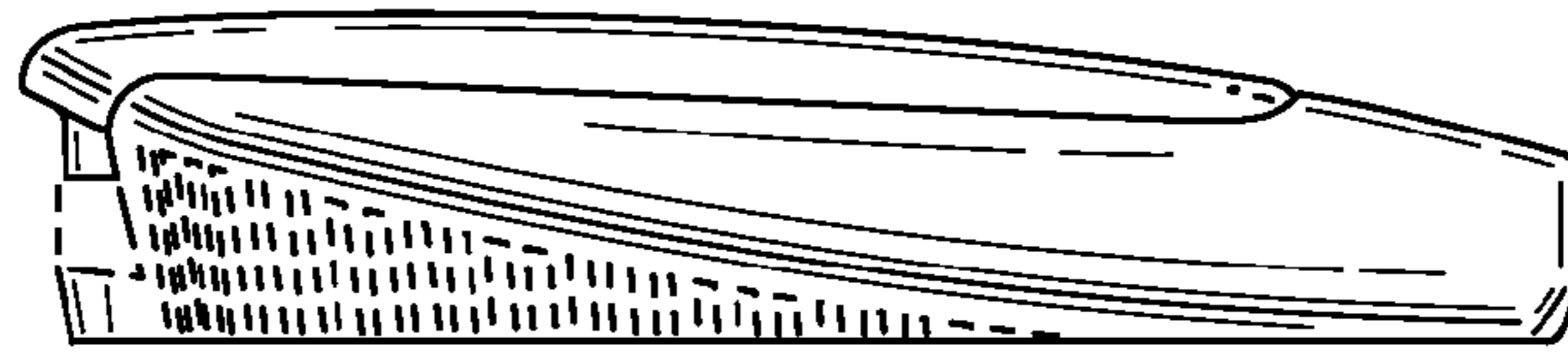


FIG. 3



FIG. 4

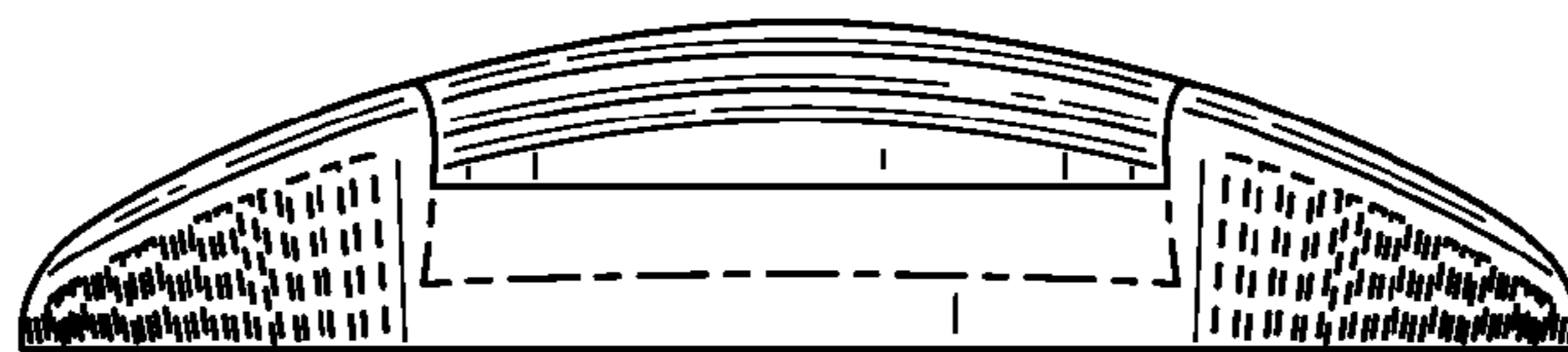


FIG. 5



FIG. 6

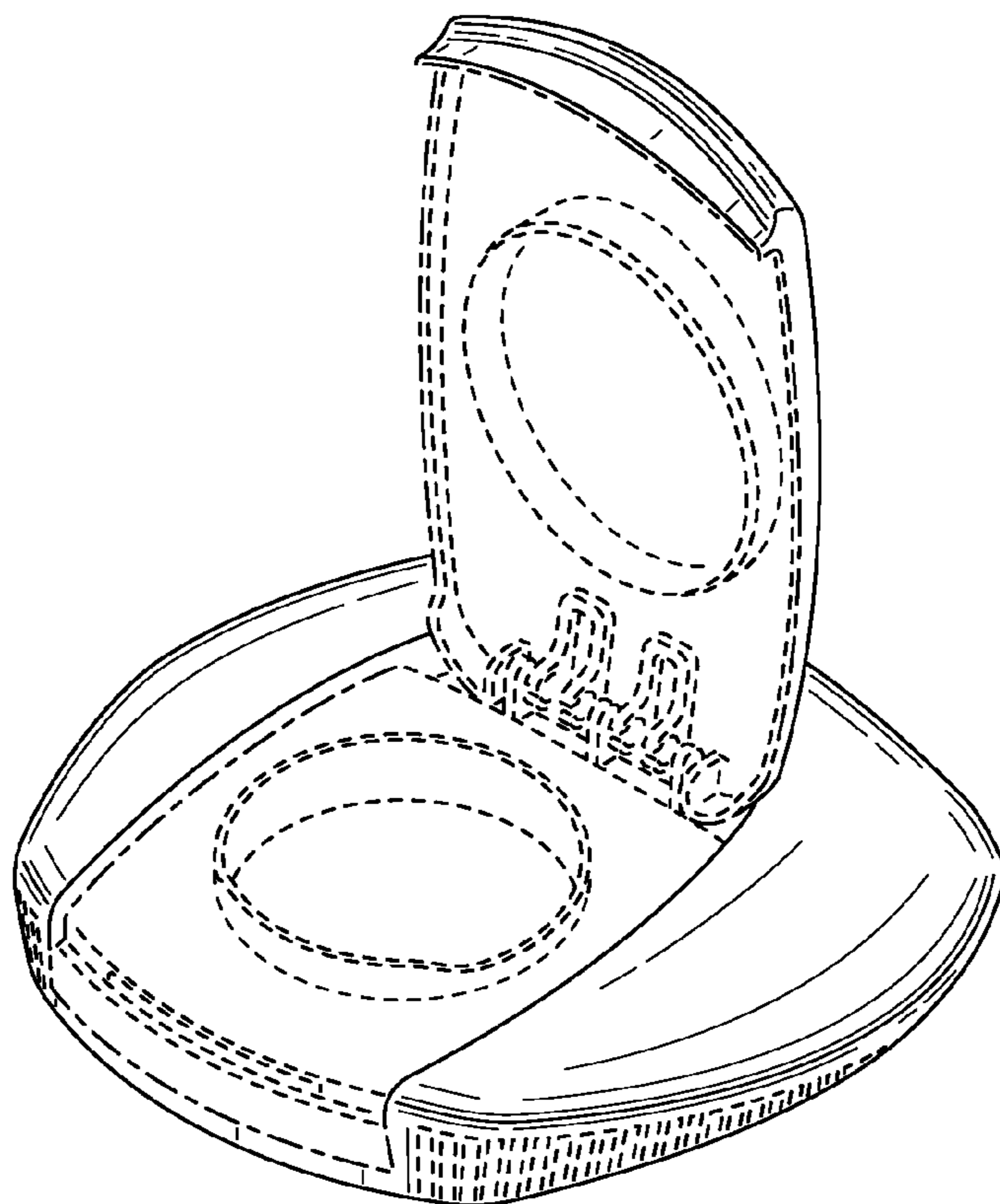


FIG. 7

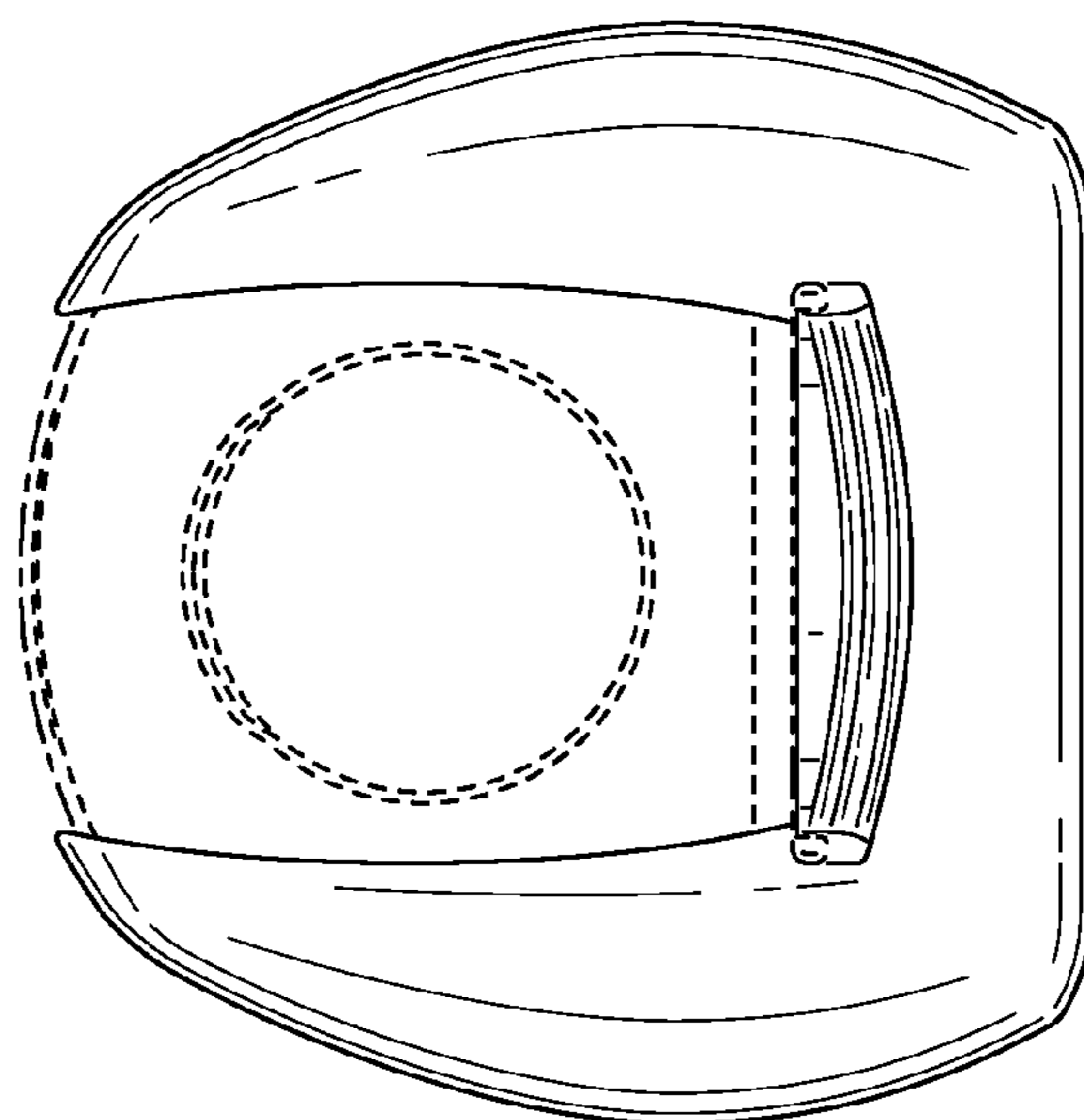


FIG. 8

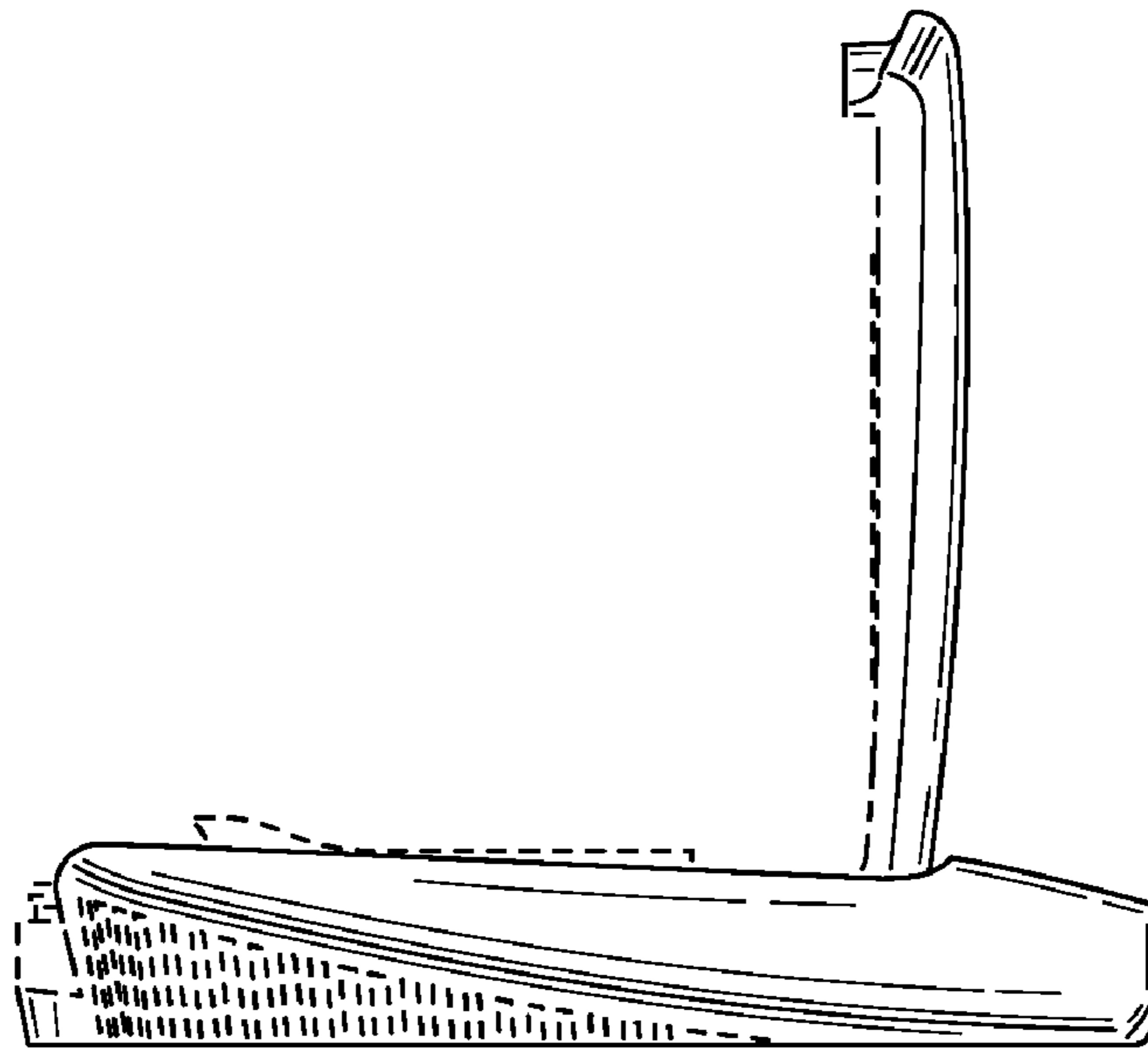


FIG. 9

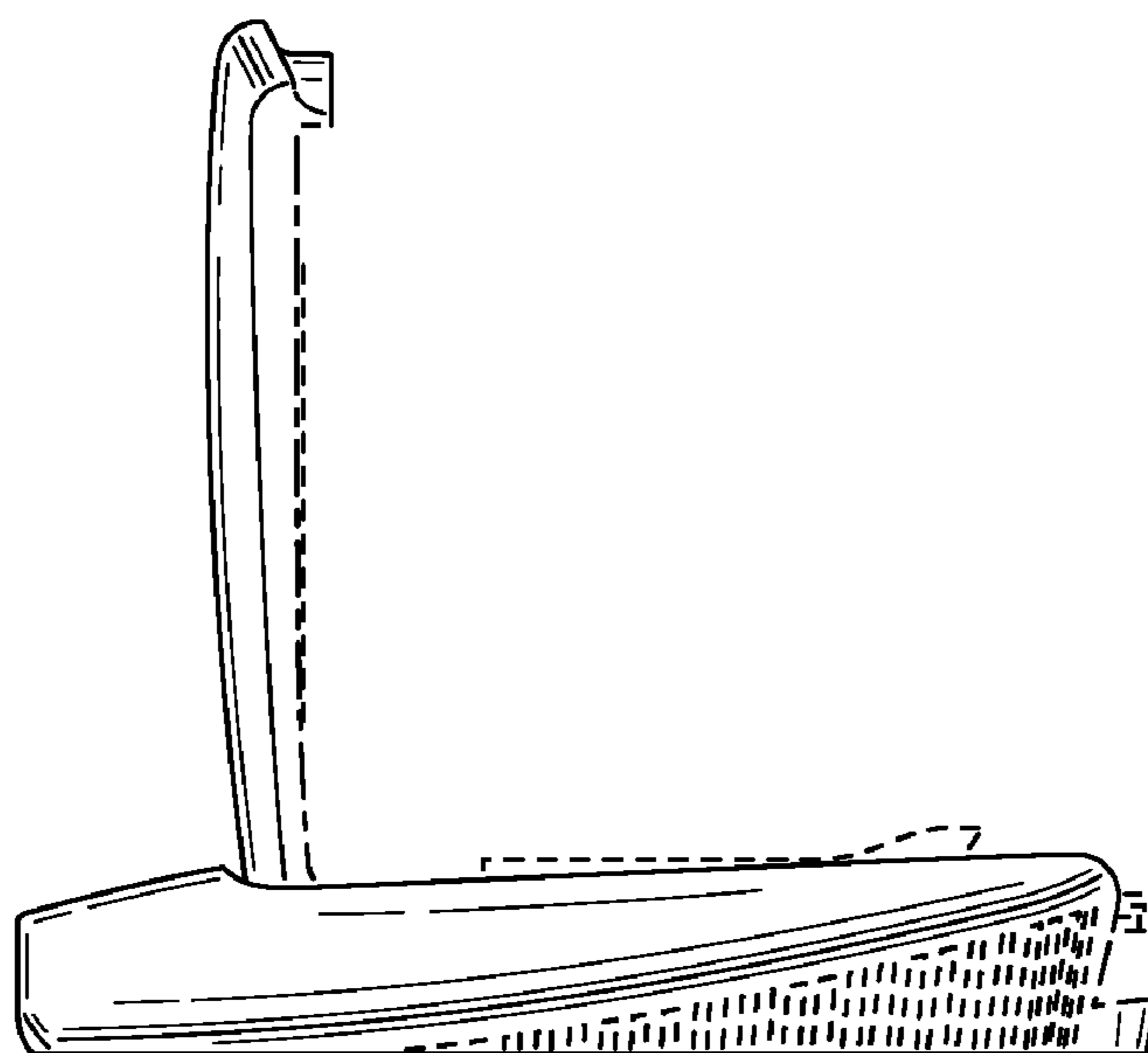


FIG. 10

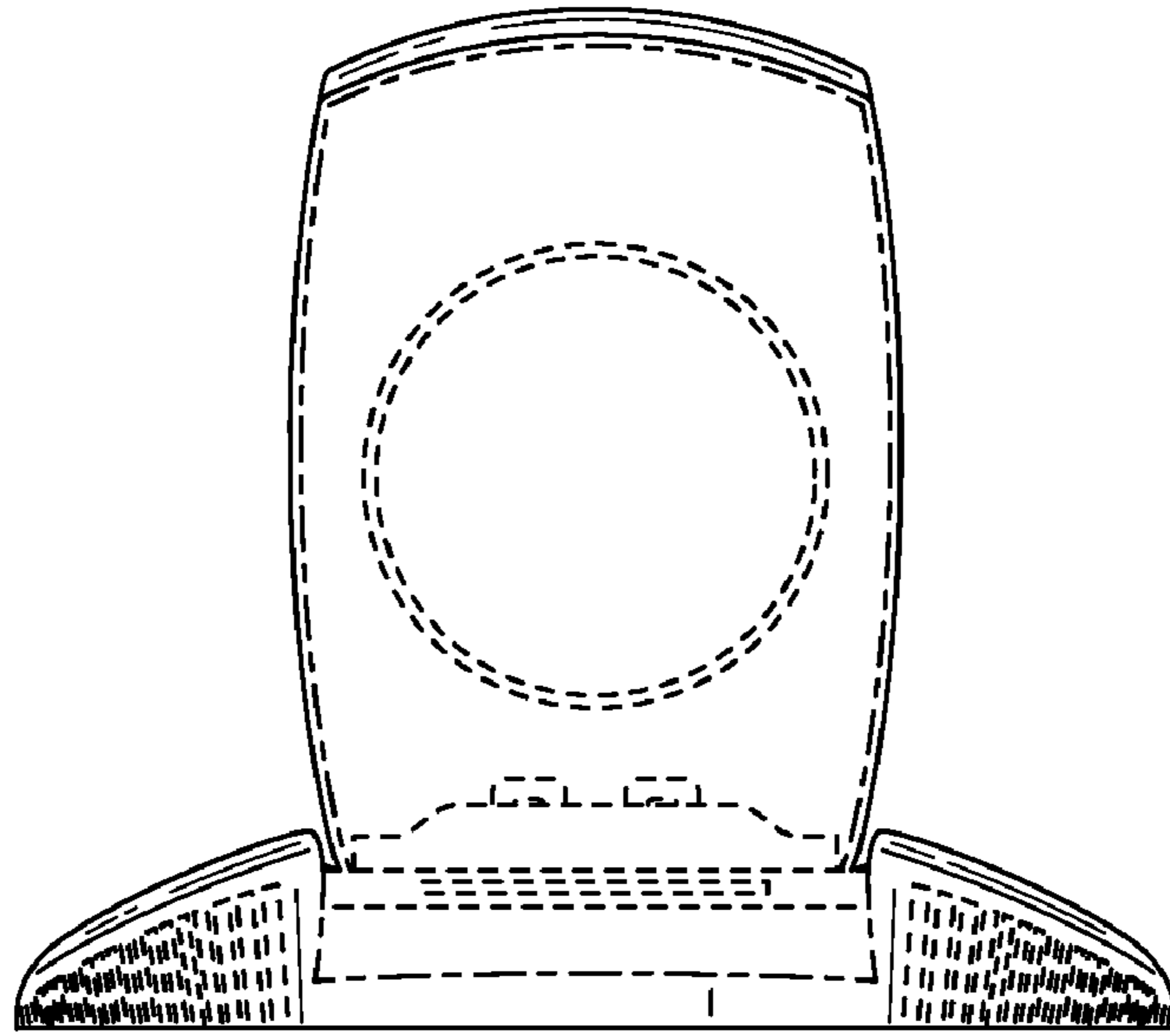


FIG. 11

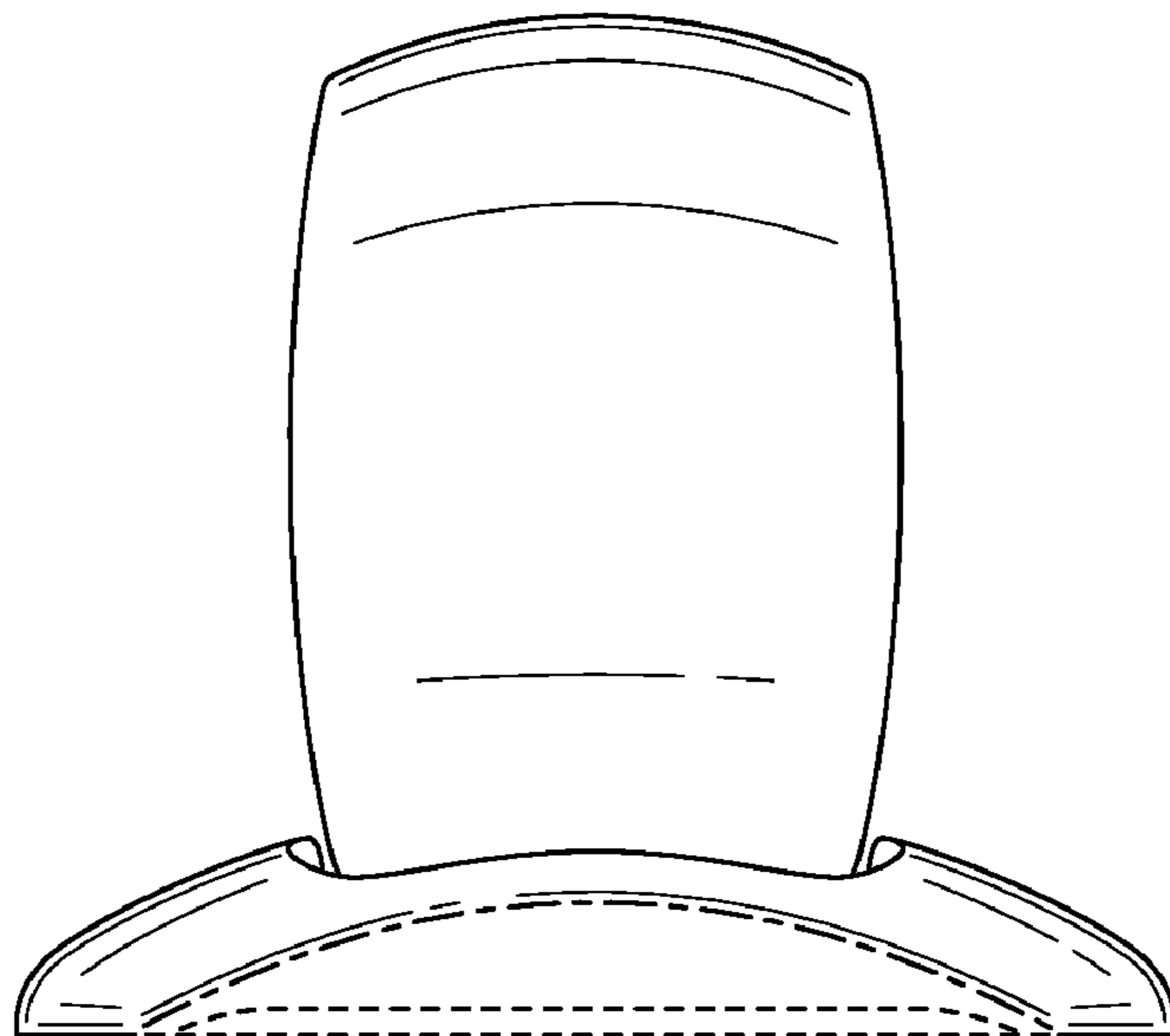


FIG. 12