



US00D638292S

(12) **United States Design Patent**
Withers

(10) **Patent No.:** **US D638,292 S**

(45) **Date of Patent:** **** May 24, 2011**

(54) **WRAP CUTTER**

(75) Inventor: **Philip C. Withers**, South Bank (AU)

(73) Assignee: **Intellectual Property Development Corporation Pty Ltd**, Melbourne, Victoria (AU)

(**) Term: **14 Years**

(21) Appl. No.: **29/350,284**

(22) Filed: **Nov. 13, 2009**

(51) **LOC (9) Cl.** **09-07**

(52) **U.S. Cl.** **D9/434**

(58) **Field of Classification Search** D9/443,
D9/437, 434; D8/98, 70.1, 101; D15/78,
D15/72; D12/9, 7; 83/614, 455; 242/562;
24/400; 225/93, 38, 20, 103
See application file for complete search history.

(56) **References Cited**

U.S. PATENT DOCUMENTS

| | | | | | |
|--------------|-----|---------|-----------------|-------|--------|
| D183,390 | S * | 8/1958 | Johnson | | D15/72 |
| D211,718 | S * | 7/1968 | Marois | | D12/9 |
| D298,111 | S * | 10/1988 | Kaptelin et al. | | D12/9 |
| 5,036,740 | A | 8/1991 | Tsai | | |
| D410,386 | S * | 6/1999 | Watkins | | D9/434 |
| 2005/0035133 | A1 | 2/2005 | Gerulski et al. | | |
| 2005/0063616 | A1* | 3/2005 | Chang | | 383/5 |
| 2006/0202079 | A1 | 9/2006 | Pavlik | | |
| 2007/0022857 | A1* | 2/2007 | Schreiter | | 83/614 |
| 2009/0293695 | A1* | 12/2009 | Sacchetta | | 83/614 |

OTHER PUBLICATIONS

Kirkland Signature Plastic Food Wrap, Downloaded From the Internet Jan. 11, 2011, http://www.costco.com/Browse/Product.aspx?Prodid=11238411&whse=BD_827&Ne=4000000&eCat=BD_827|11124|11299|12100&N=4007836&Mo=10&No=1&Nr=P_CatalogName:BD_827&cat=12100&Ns=P_Pricel|P_Sign Desc1&lang=en-US&Sp=C&hierPath=11124*11299*12100*&topnav=bdoff.*
Federation Shuttlecraft From "Startrek", Mar. 6, 2001, Found on Ex Astris Scientia, Downloaded for the Internet Jan. 11, 2011 http://web.archive.org/web/20010306045733/http://www.ex-astris-scientia.org/scans/fedshuttles1.htm.*

* cited by examiner

Primary Examiner — Susan Bennett Hattan

(74) *Attorney, Agent, or Firm* — Hamilton, Brook, Smith & Reynolds, P.C.

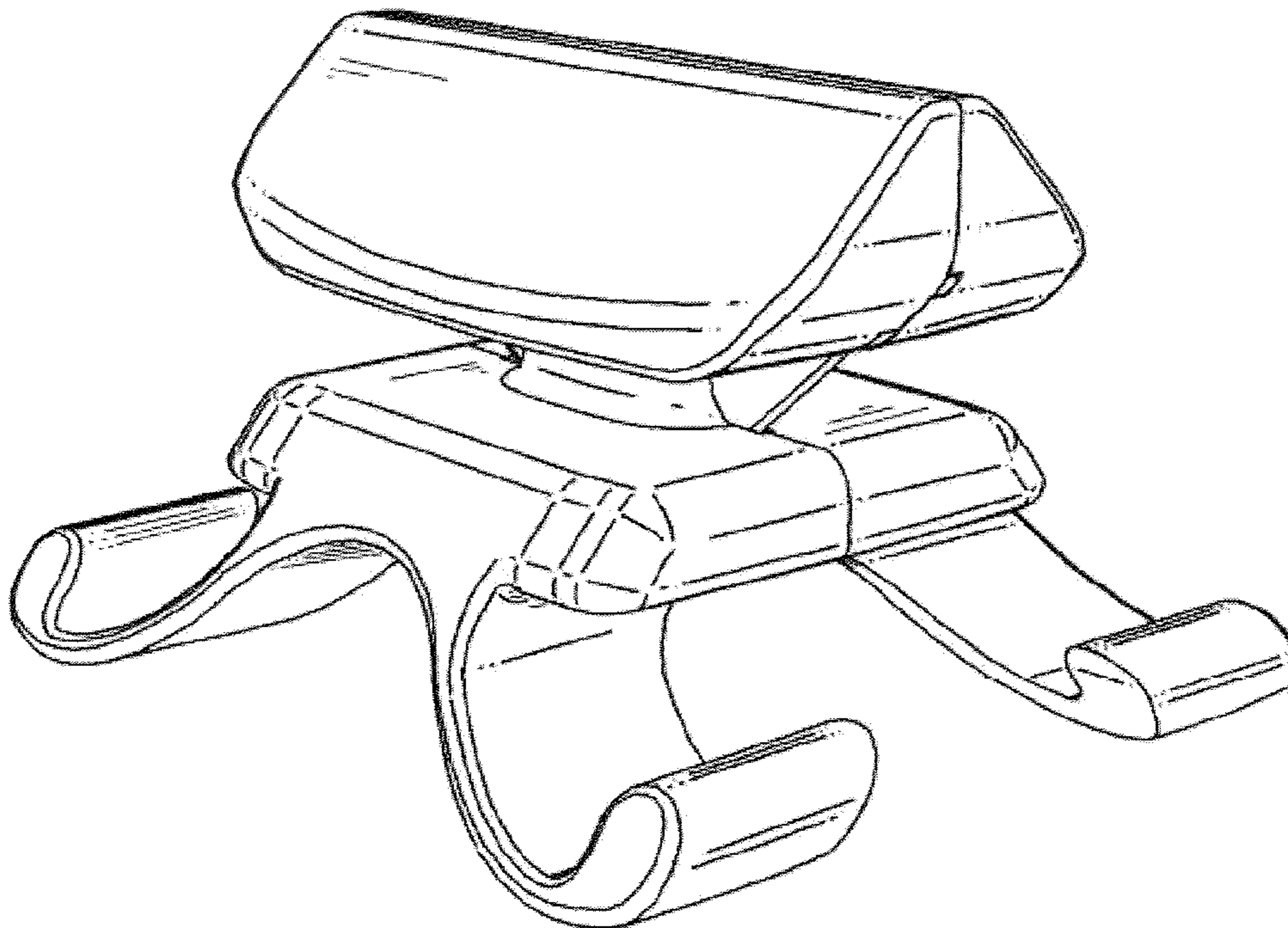
(57) **CLAIM**

The ornamental design for a wrap cutter, as shown and described.

DESCRIPTION

FIG. 1 is a front perspective view of the wrap cutter embodying the present design;
FIG. 2 is a front view of the wrap cutter;
FIG. 3 is a rear view of the wrap cutter;
FIG. 4 is a right side view of the wrap cutter;
FIG. 5 is a left side view of the wrap cutter;
FIG. 6 is a top view of the wrap cutter; and,
FIG. 7 is a bottom view of the wrap cutter.

1 Claim, 7 Drawing Sheets



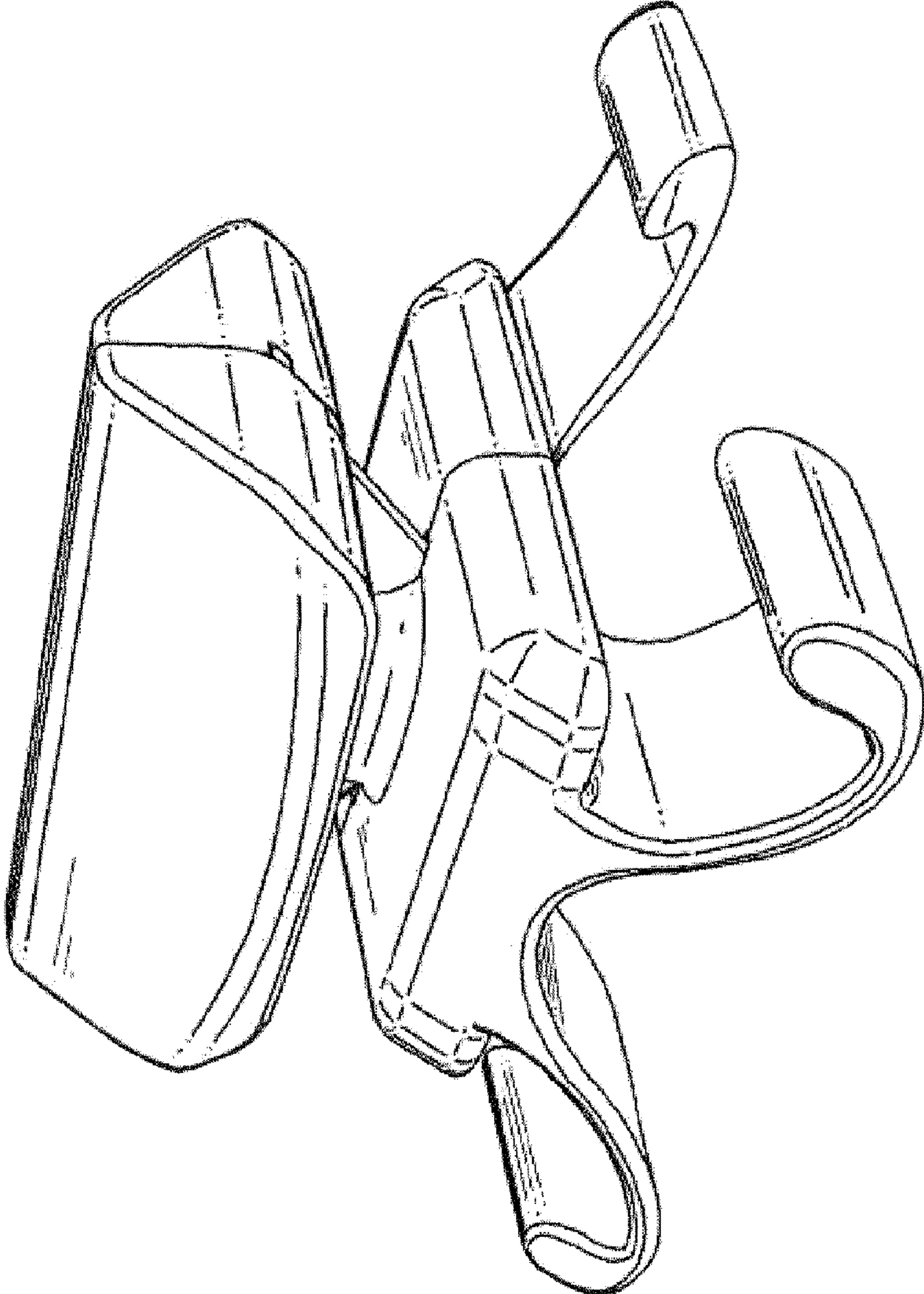


FIG. 1

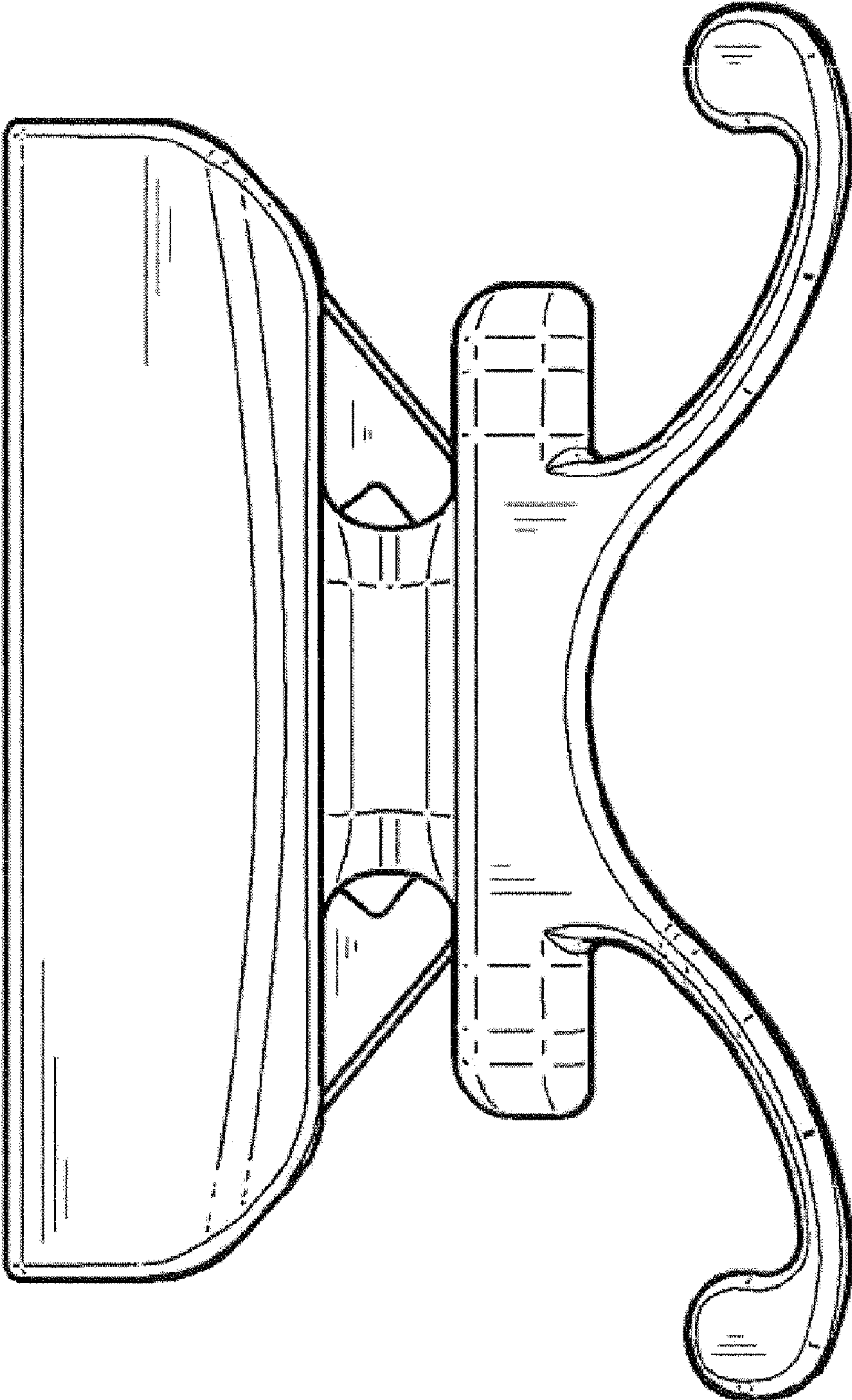


FIG. 2

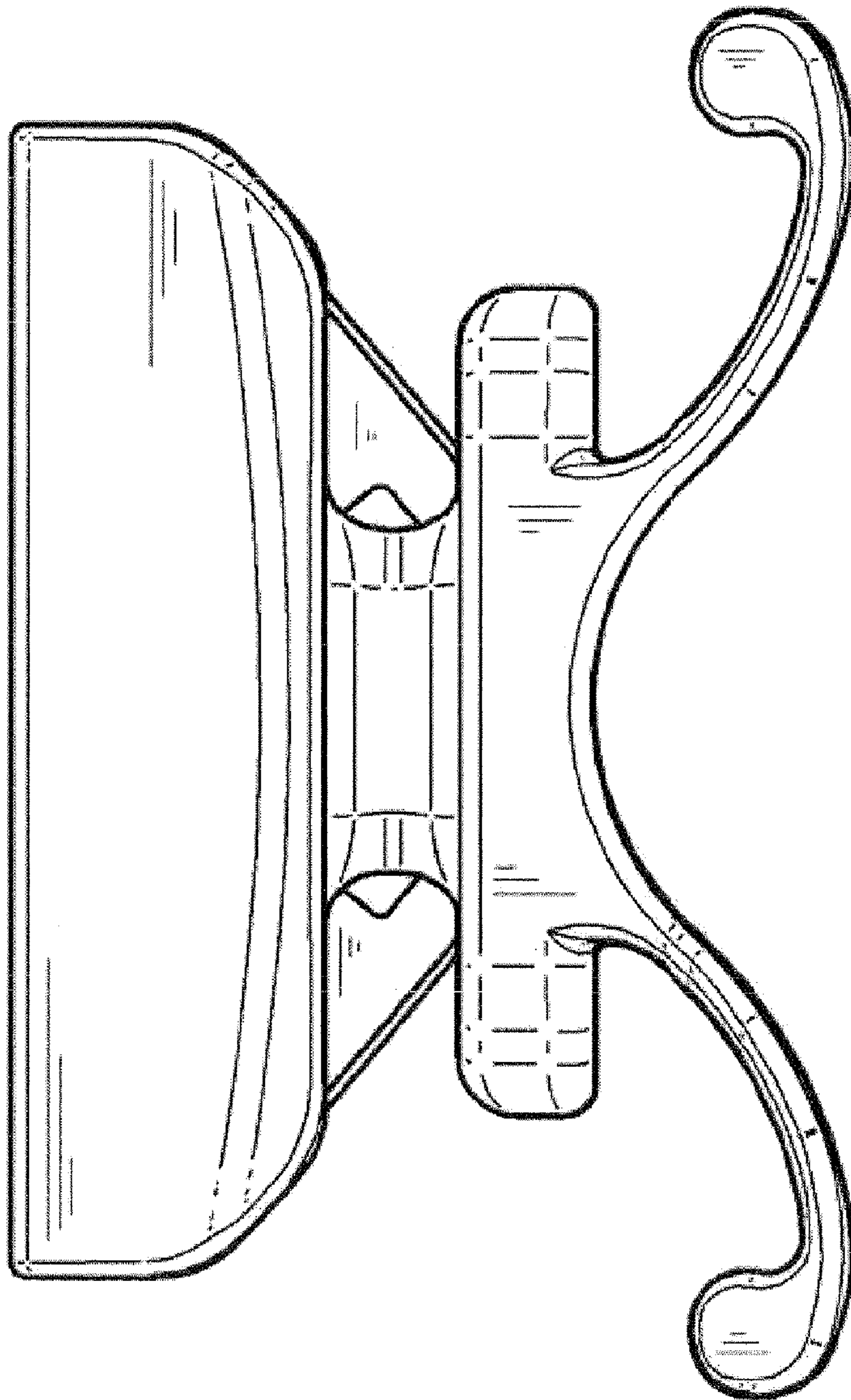


FIG. 3

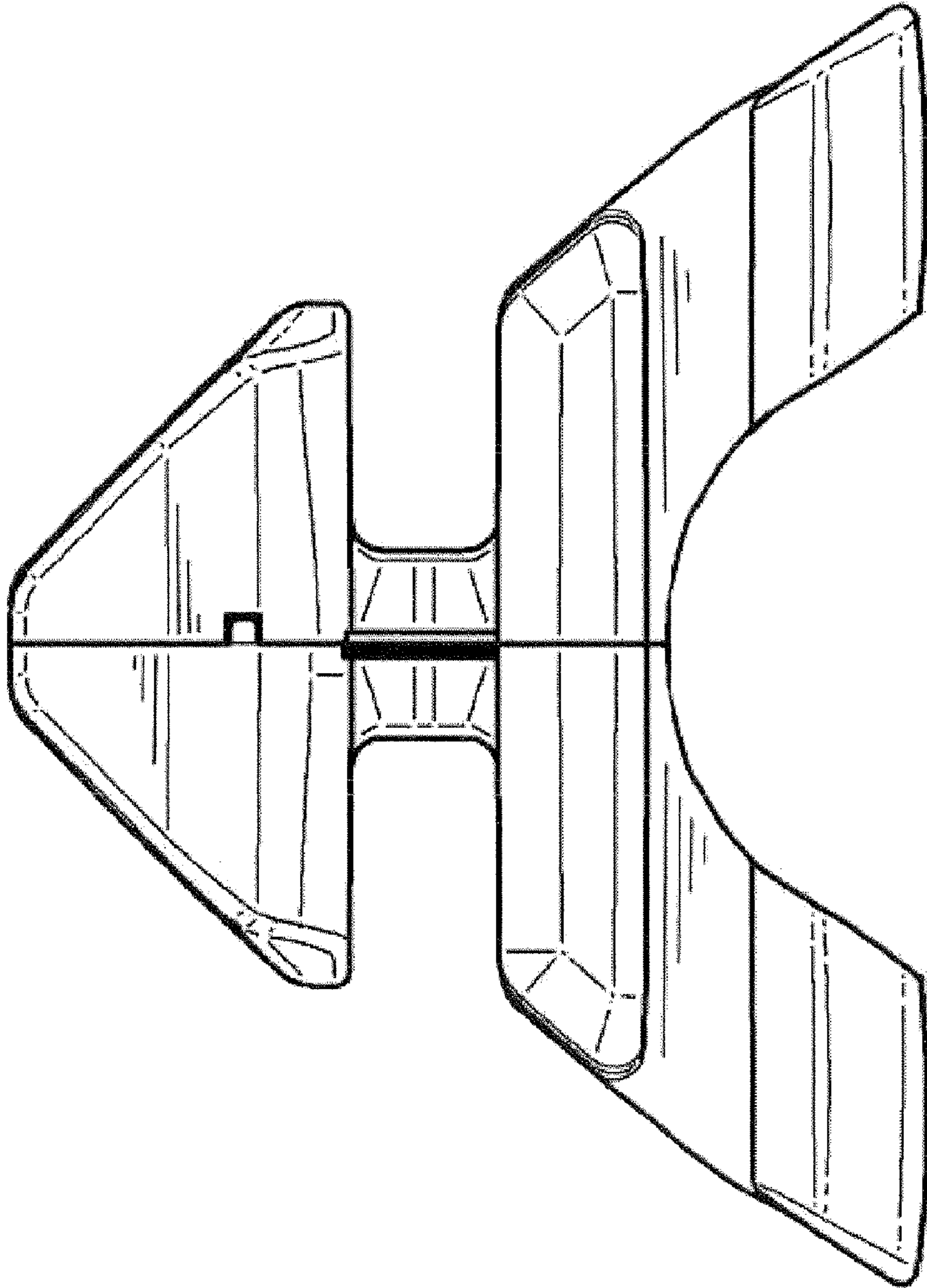


FIG. 4

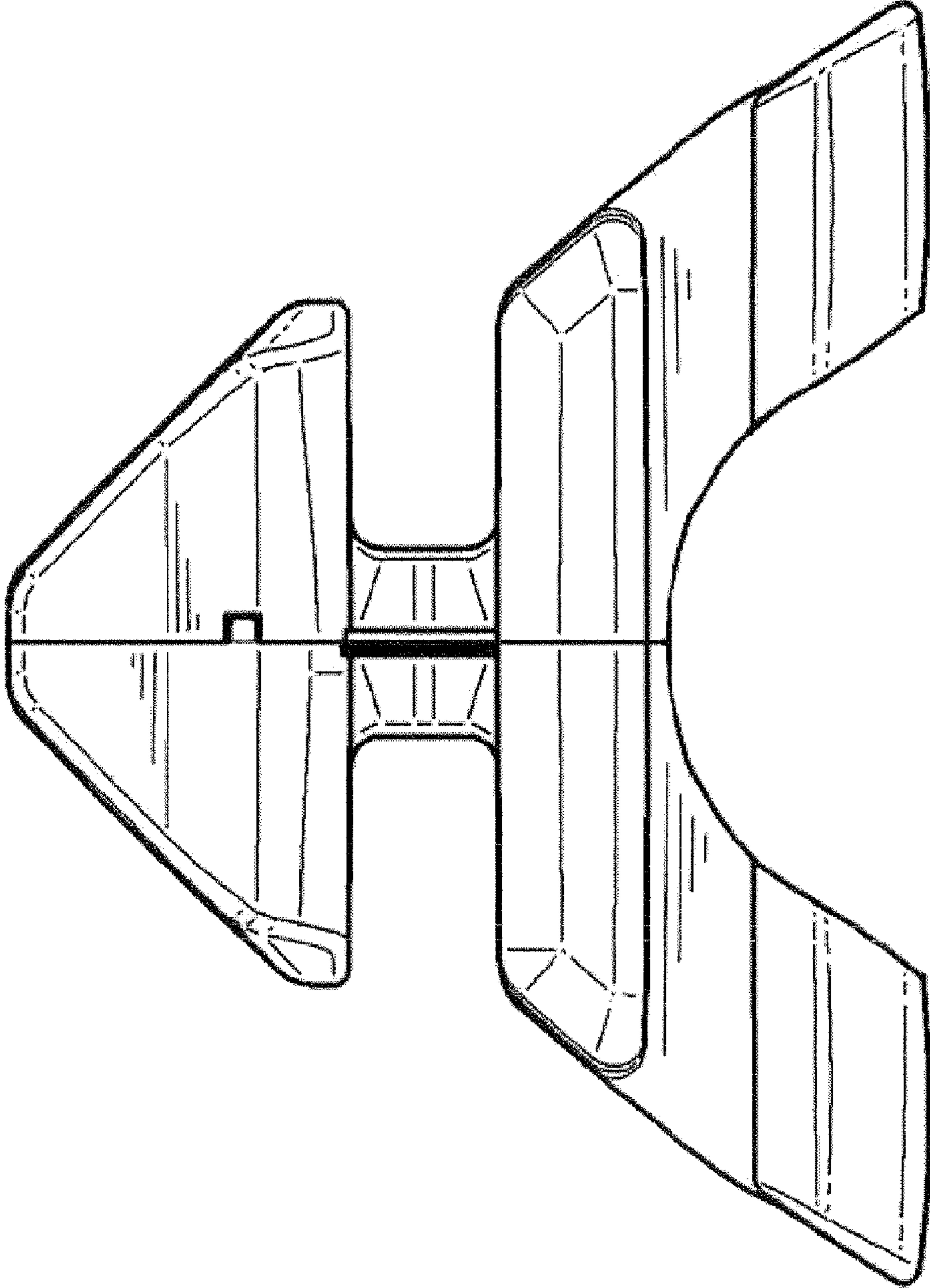


FIG. 5

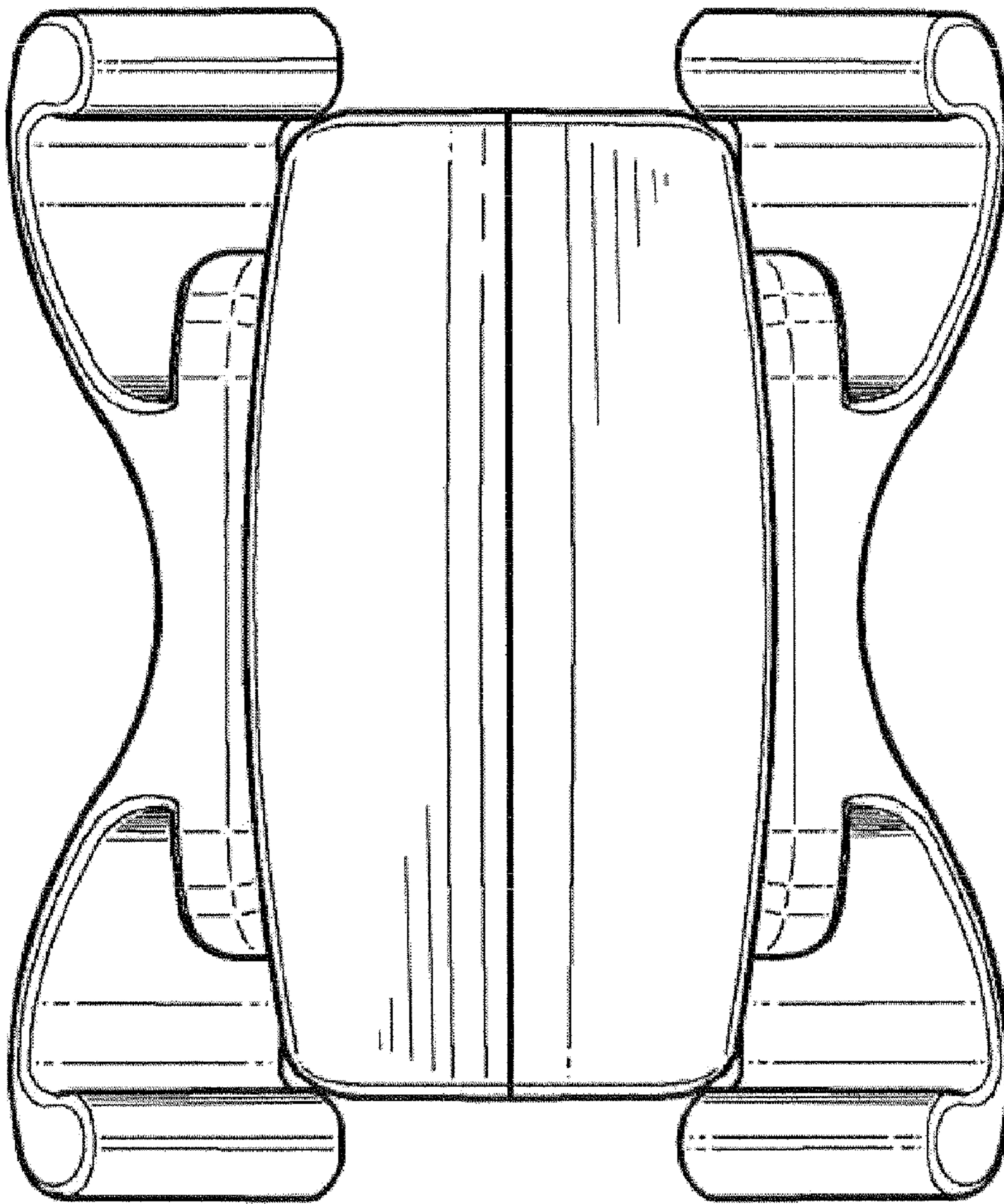


FIG. 6

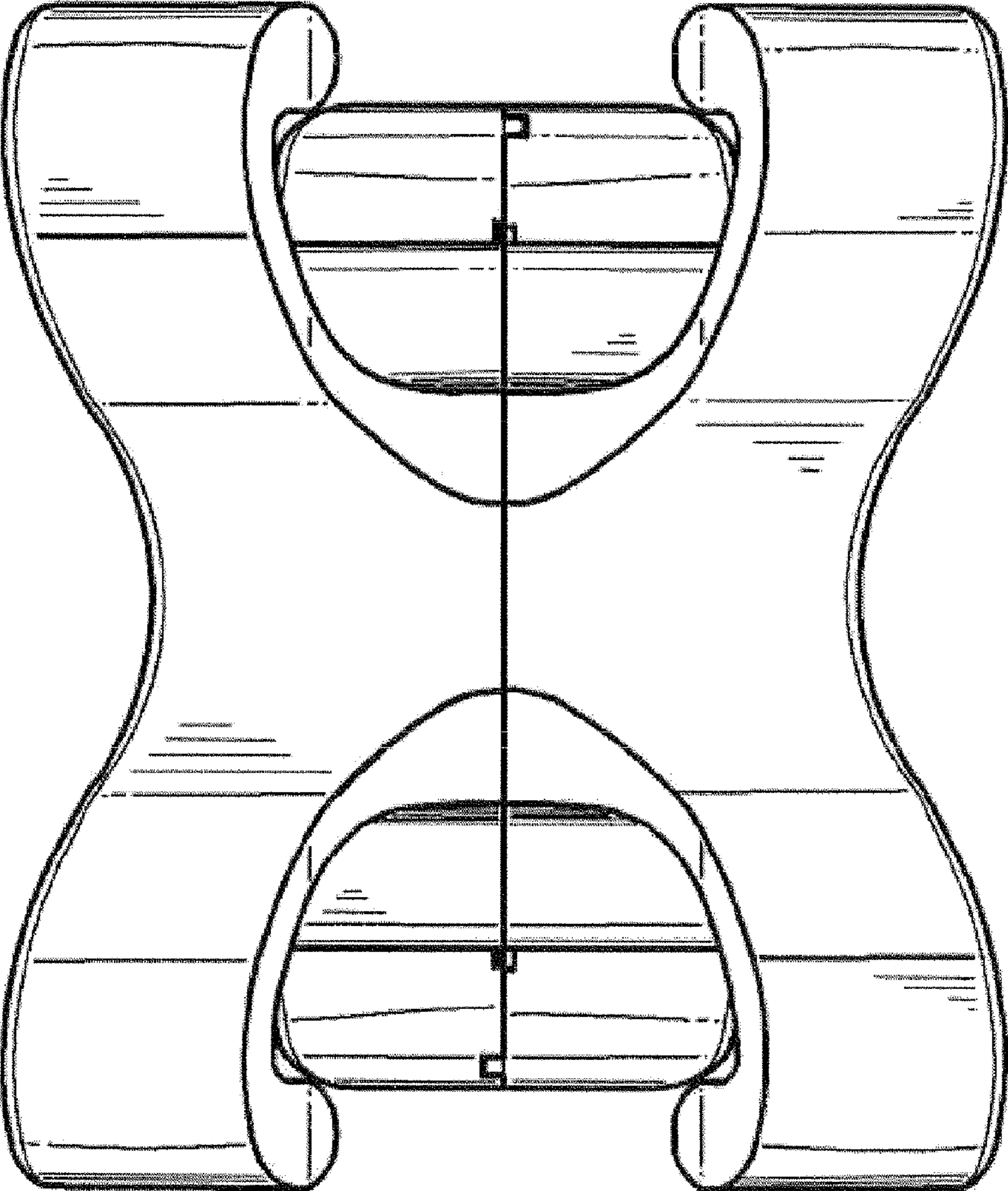


FIG. 7