



US00D638290S

(12) **United States Design Patent**
Cimmerer et al.

(10) **Patent No.:** **US D638,290 S**
(45) **Date of Patent:** **** *May 24, 2011**

- (54) **PLASTIC SIDE DISH CONTAINER
COMPRISING A FACETED BOWL WITH A
LID**
- (75) Inventors: **Timothy Lee Cimmerer**, Paragould, AR (US); **Brent Riales**, Paragould, AR (US)
- (73) Assignee: **Anchor Packaging, Inc.**, Ballwin, MO (US)
- (**) Term: **14 Years**
- (21) Appl. No.: **29/354,684**
- (22) Filed: **Jan. 27, 2010**
- (51) **LOC (9) Cl.** **09-03**
- (52) **U.S. Cl.** **D9/429**
- (58) **Field of Classification Search** D9/424,
D9/425, 428, 429, 431; D7/530, 531, 608;
229/400-406, 932, 906.1; 220/656-659,
220/669-675, 912, 4.21-4.27; 206/499,
206/508, 557

See application file for complete search history.

(56) **References Cited**

U.S. PATENT DOCUMENTS

D22,701 S 8/1893 McGill
(Continued)

OTHER PUBLICATIONS

Co-pending U.S. Appl. No. 29/354,694, filed Jan. 27, 2010.

(Continued)

Primary Examiner — Thomas J Johannes

(74) *Attorney, Agent, or Firm* — Gallop, Johnson & Neuman

(57) **CLAIM**

The ornamental design for a plastic side dish container comprising a faceted bowl with a lid, as shown and described.

DESCRIPTION

FIG. 1 is a perspective view of a plastic side dish container comprising a faceted bowl with a lid depicting a first embodiment of our new design;

FIG. 2 is a front elevation view thereof;

FIG. 3 is a rear elevation view thereof;

FIG. 4 is a left side elevation view thereof;

FIG. 5 is a right side elevation view thereof;

FIG. 6 is a top plan view thereof;

FIG. 7 is a bottom plan view thereof;

FIG. 8 is an exploded perspective view thereof, with the lid detached from the bowl for clarity of illustration;

FIG. 9 is top plan view of the lid thereof, shown in isolation for clarity of illustration;

FIG. 10 is a bottom plan view thereof;

FIG. 11 is a front elevation view thereof;

FIG. 12 is a rear elevation view thereof;

FIG. 13 is a left side elevation view thereof;

FIG. 14 is a right side elevation view thereof;

FIG. 15 is a top plan view of the bowl thereof, shown in isolation for clarity of illustration;

FIG. 16 is a bottom plan view thereof;

FIG. 17 is a front elevation view thereof;

FIG. 18 is a rear elevation view thereof;

FIG. 19 is a left side elevation view thereof; and

FIG. 20 is a right side elevation view thereof.

FIG. 21 is a perspective view of a plastic side dish container comprising a faceted bowl with a lid depicting a second embodiment of our new design;

FIG. 22 is a front elevation view thereof;

FIG. 23 is a rear elevation view thereof;

FIG. 24 is a left side elevation view thereof;

FIG. 25 is a right side elevation view thereof;

FIG. 26 is a top plan view thereof;

FIG. 27 is a bottom plan view thereof;

FIG. 28 is an exploded perspective view thereof, with the lid detached from the bowl for clarity of illustration;

FIG. 29 is top plan view of the lid thereof, shown in isolation for clarity of illustration;

FIG. 30 is a bottom plan view thereof;

FIG. 31 is a front elevation view thereof;

FIG. 32 is a rear elevation view thereof;

FIG. 33 is a left side elevation view thereof;

FIG. 34 is a right side elevation view of the lid thereof;

FIG. 35 is a top plan view of the bowl thereof, shown in isolation for clarity of illustration;

FIG. 36 is a bottom plan view thereof;

FIG. 37 is a front elevation view thereof;

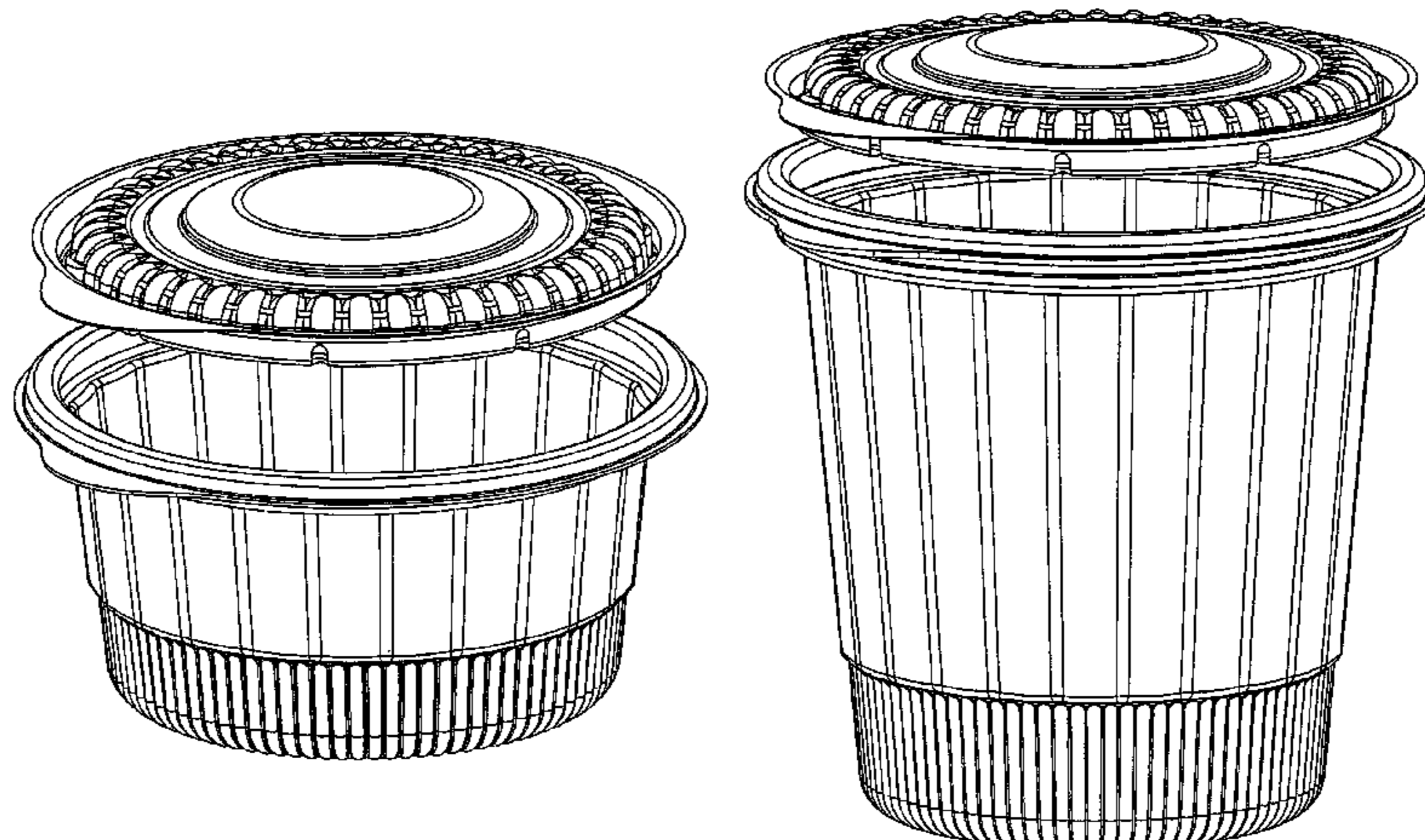
FIG. 38 is a rear elevation view thereof;

FIG. 39 is a left side elevation view thereof; and

FIG. 40 is a right side elevation view thereof.

The broken line portion of the figure drawings is included to show unclaimed subject matter only and forms no part of the claimed design.

1 Claim, 40 Drawing Sheets



US D638,290 S

Page 2

U.S. PATENT DOCUMENTS

D193,118 S 6/1962 Bostrom
3,045,887 A * 7/1962 Caine 229/400
3,194,468 A * 7/1965 Baron 229/400
3,360,153 A 12/1967 Wheaton
D256,762 S 9/1980 Scott
D265,462 S * 7/1982 Andrulionis et al. D9/429
D271,083 S 10/1983 Tyler
4,446,969 A * 5/1984 Tyler 206/519
4,535,889 A 8/1985 Terauds
4,974,738 A 12/1990 Kidd
D323,097 S 1/1992 Picozza
D324,324 S 3/1992 Picozza
D337,051 S 7/1993 Harbeke
D352,423 S 11/1994 Laib
D358,091 S 5/1995 Warburton
D391,850 S 3/1998 Krupa et al.
D395,822 S 7/1998 Keal
D404,682 S 1/1999 Baran
D426,427 S 6/2000 Rubbriht et al.
6,175,105 B1 1/2001 Rubbriht et al.
D438,466 S 3/2001 Fletcher
6,217,918 B1 4/2001 Oh et al.
D454,304 S 3/2002 Kim et al.
D468,202 S 1/2003 Chou
D469,315 S 1/2003 Thonis

D469,662 S 2/2003 Thonis
D473,426 S 4/2003 Jalet
D473,788 S 4/2003 Chen et al.
6,595,366 B1 7/2003 Brown
D483,690 S 12/2003 Sieverding
D485,470 S 1/2004 Willis
6,733,852 B2 5/2004 Littlejohn et al.
D497,548 S 10/2004 Nordland
D515,970 S 2/2006 Hensen
D546,626 S * 7/2007 Chou D7/523
7,258,905 B2 8/2007 Whitmore
D551,909 S 10/2007 Eide et al.
D570,681 S 6/2008 Hussain
D574,191 S 8/2008 Ablo
D581,781 S 12/2008 Enriquez
D587,065 S 2/2009 Loring
D597,793 S 8/2009 Krueger et al.
D603,222 S 11/2009 Krueger et al.
D611,303 S 3/2010 Cimmerer
2002/0175171 A1 11/2002 Stewart et al.

OTHER PUBLICATIONS

Notice of Allowance issued in co-pending U.S. Appl. No. 29/354,694.

* cited by examiner

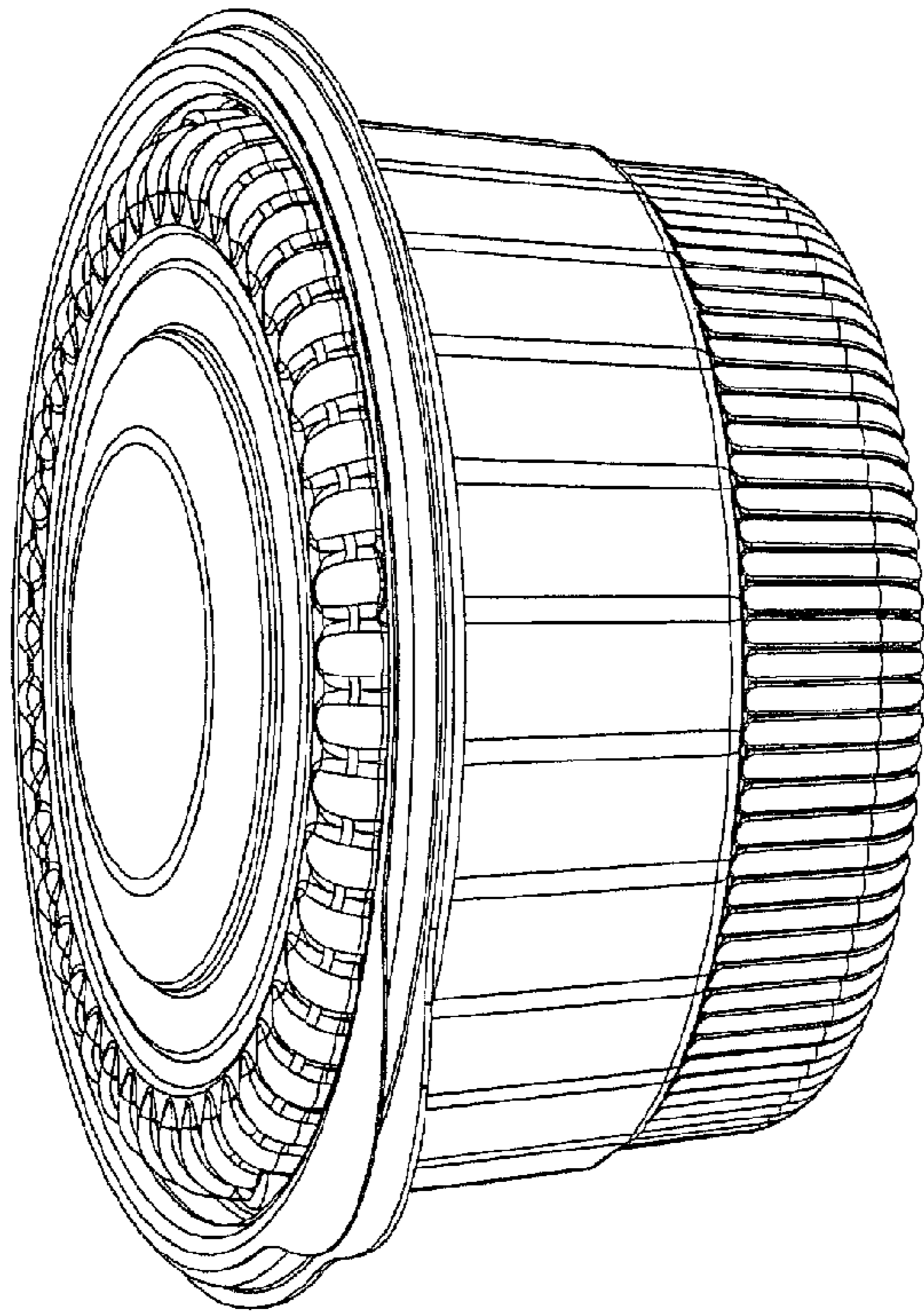


FIG. 1

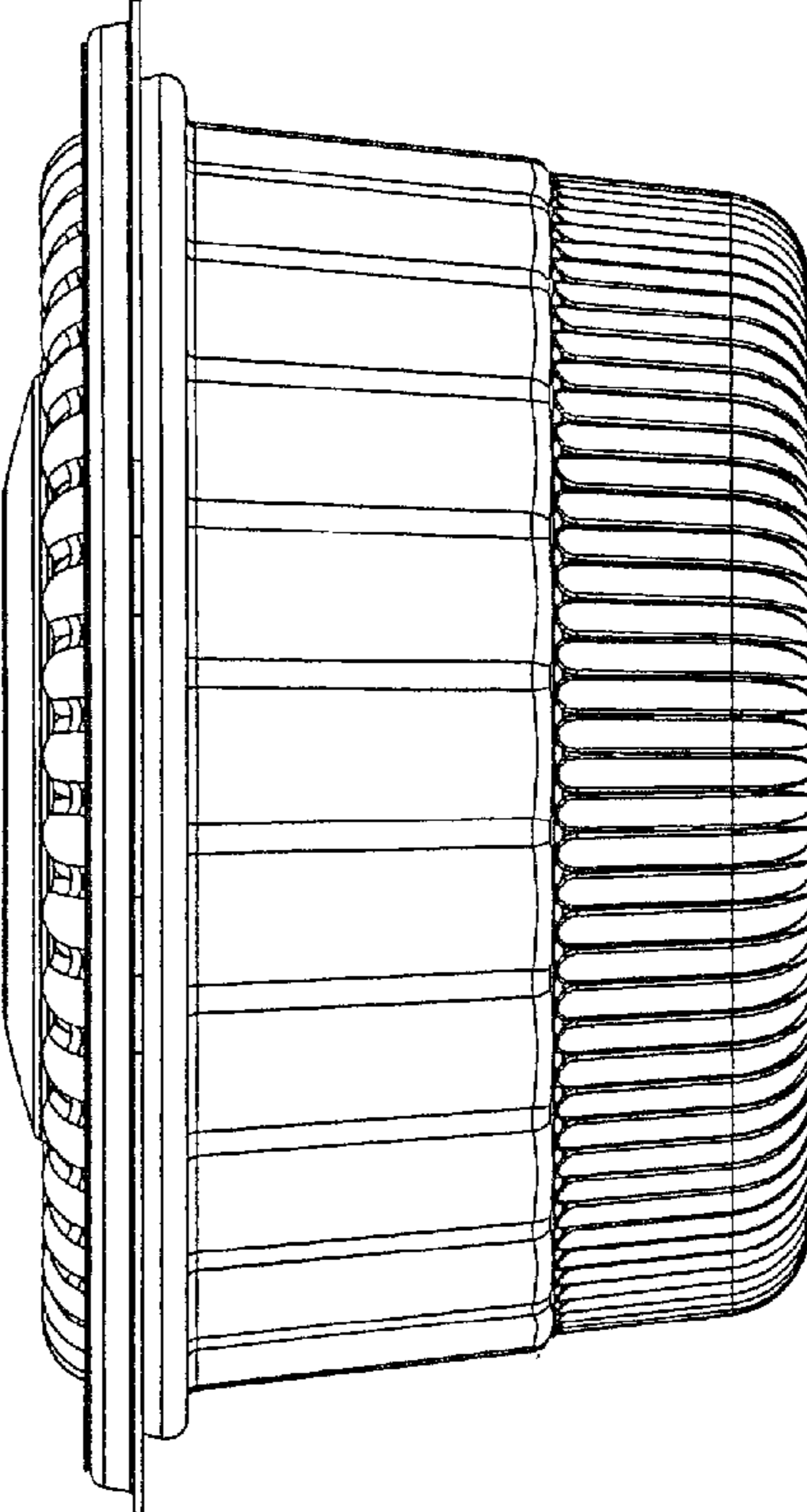


FIG. 2

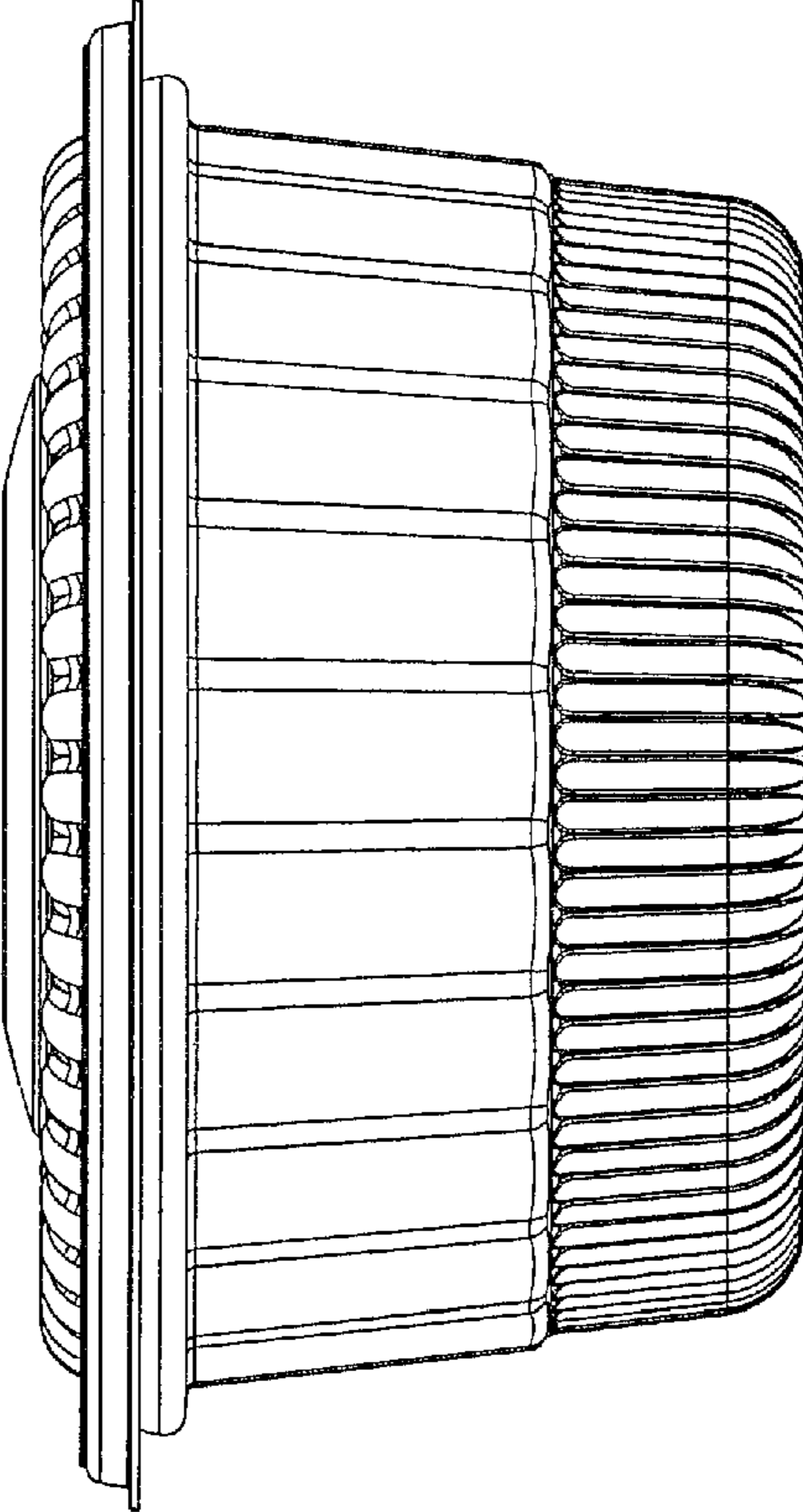


FIG. 3

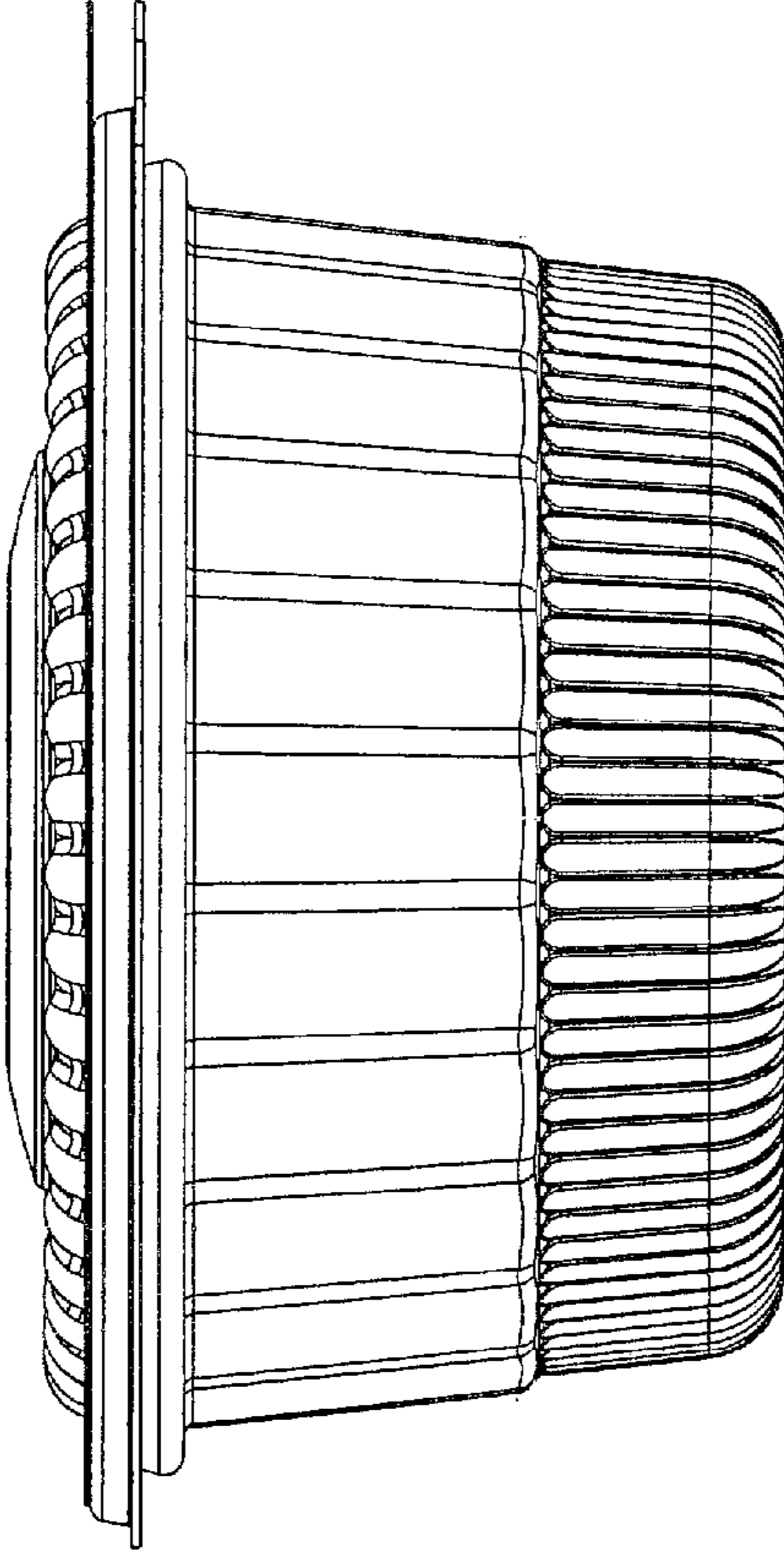


FIG. 4

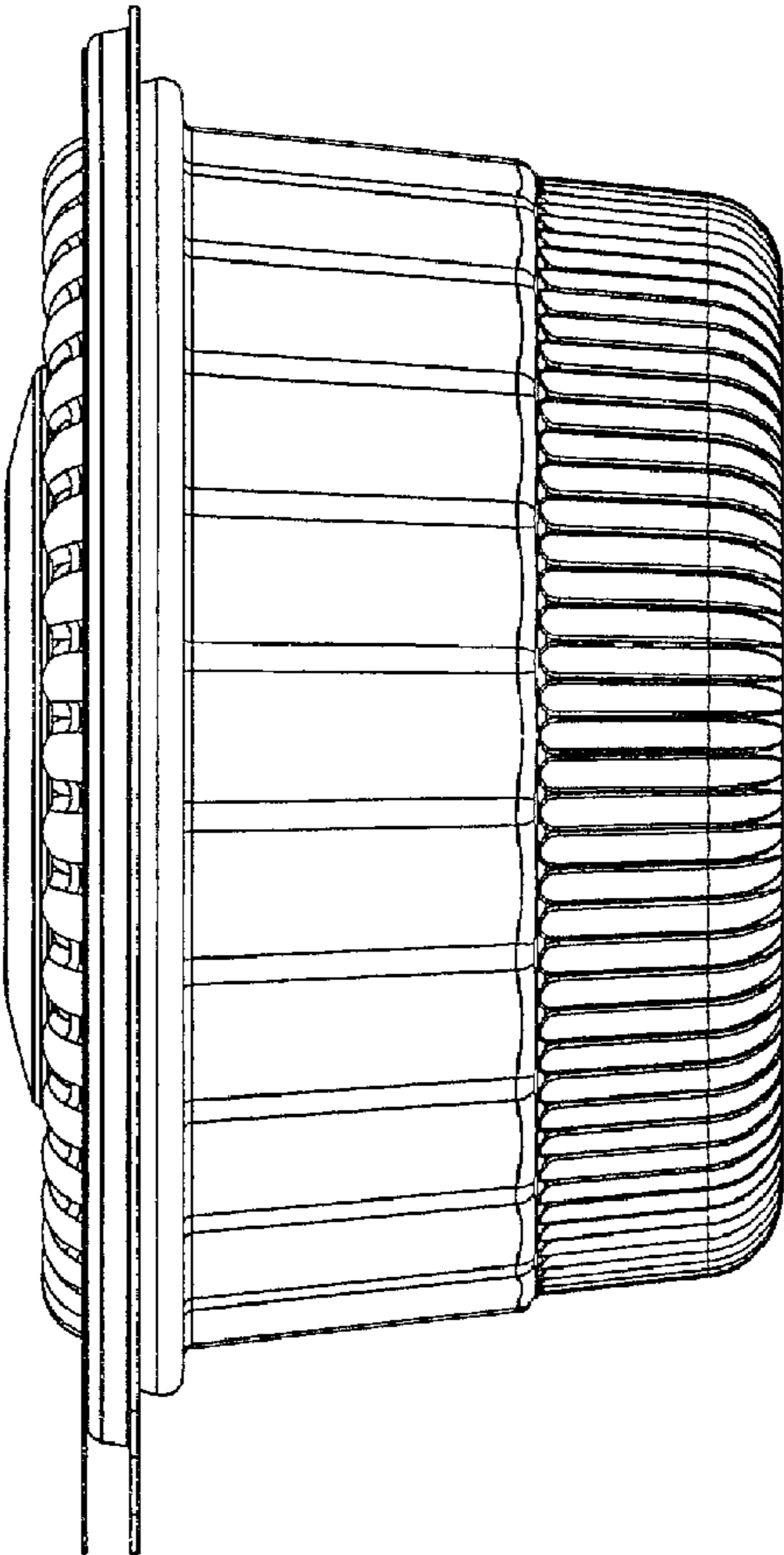


FIG. 5

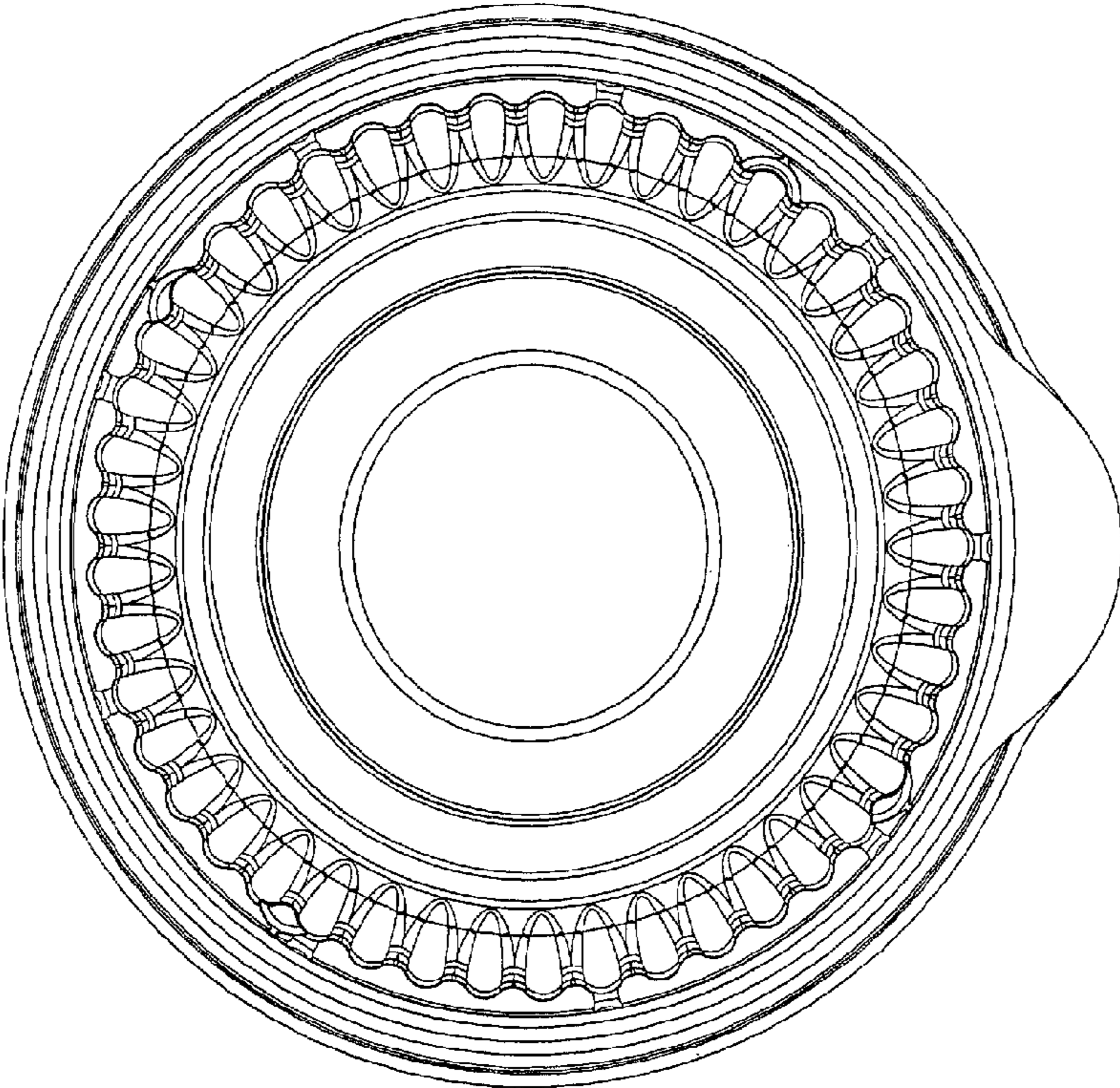


FIG. 6

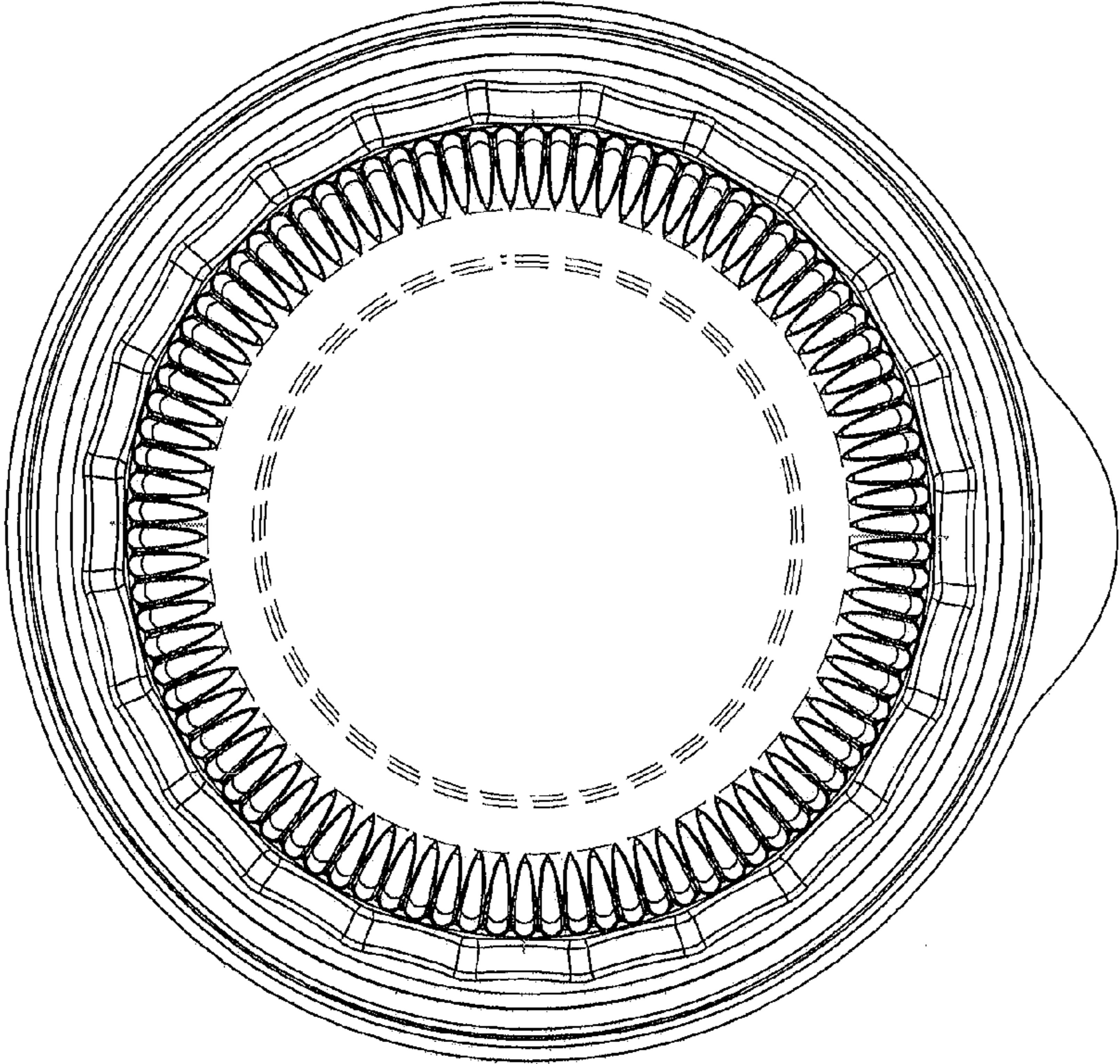


FIG. 7

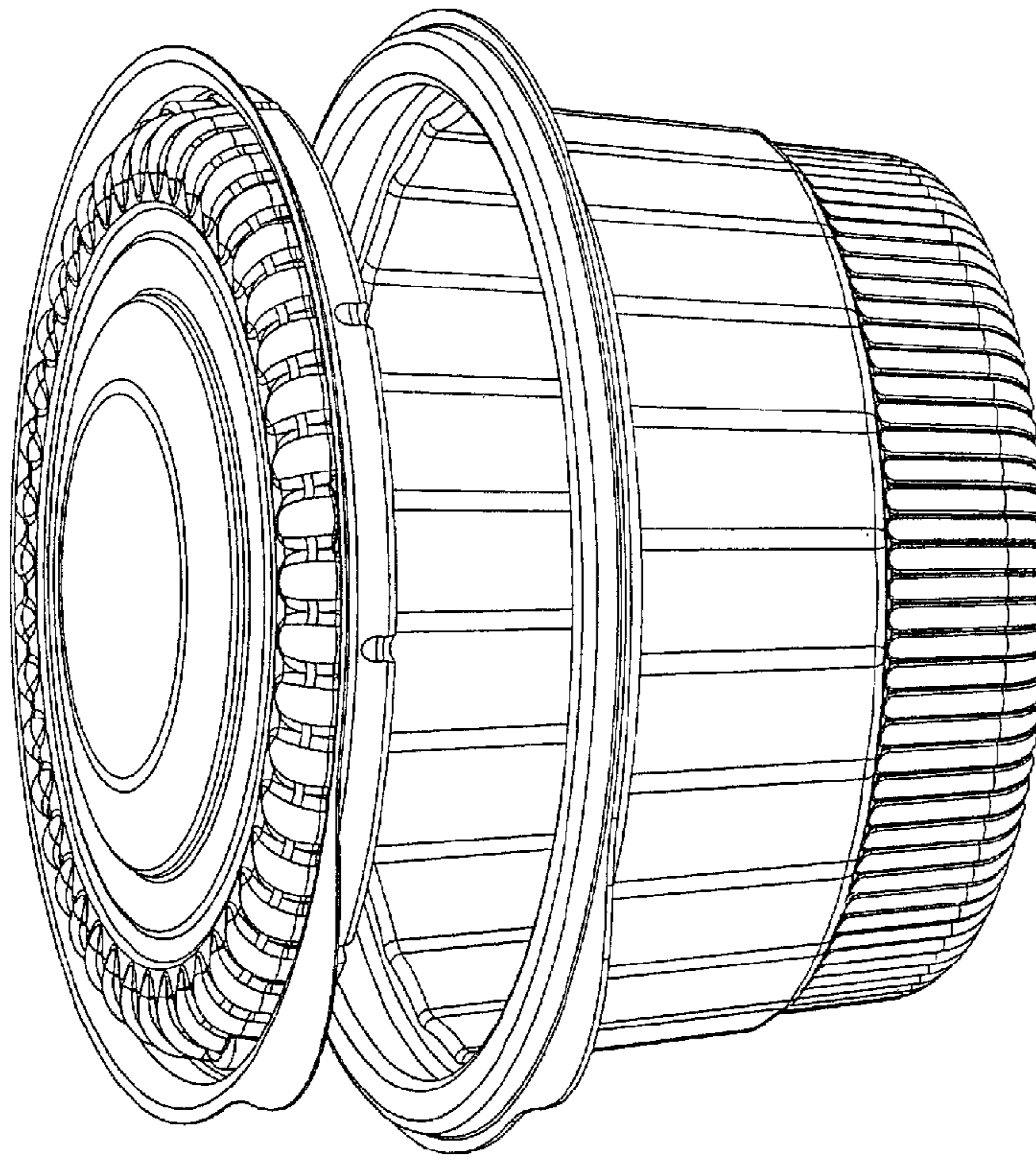


FIG. 8

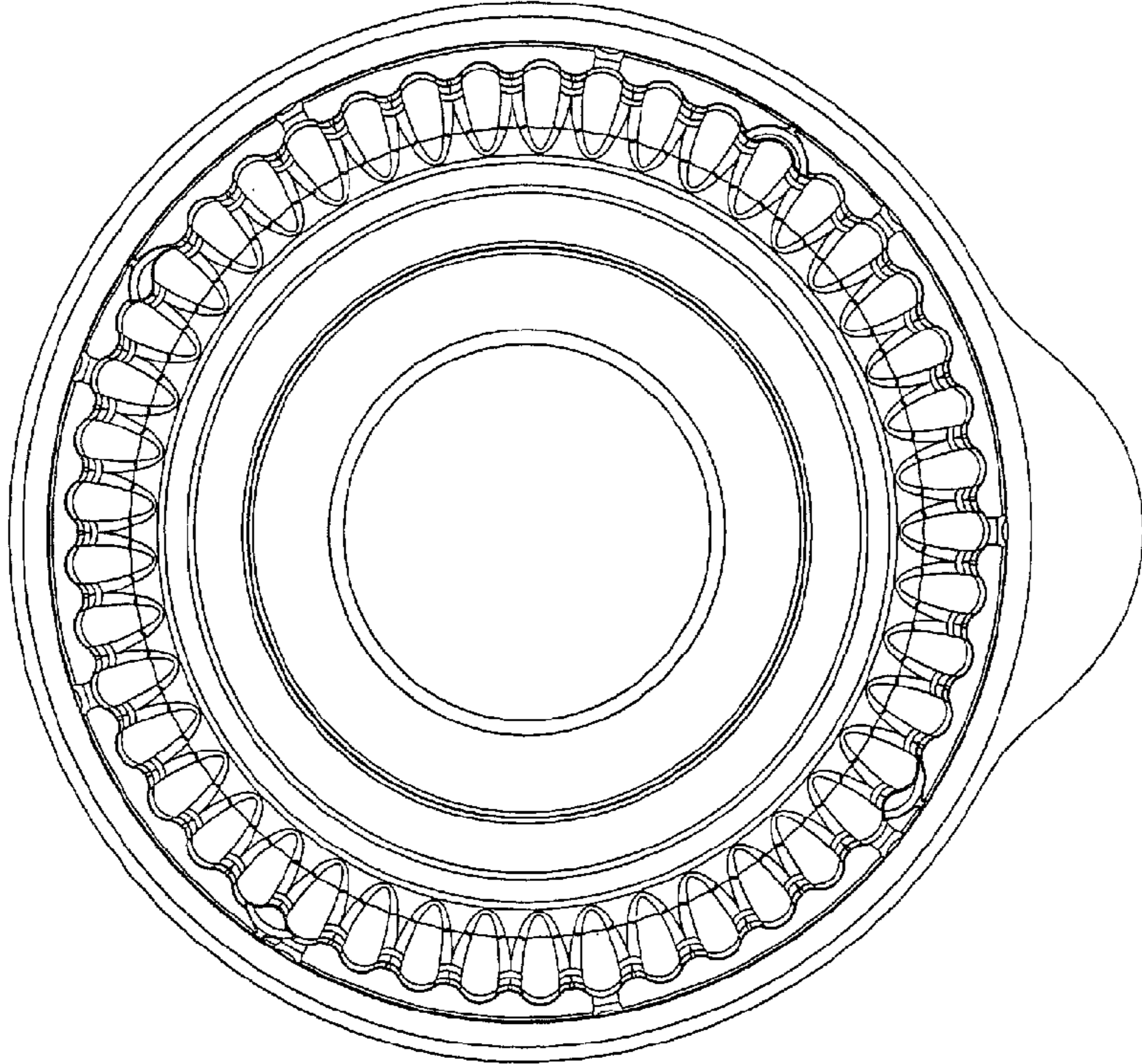


FIG. 9

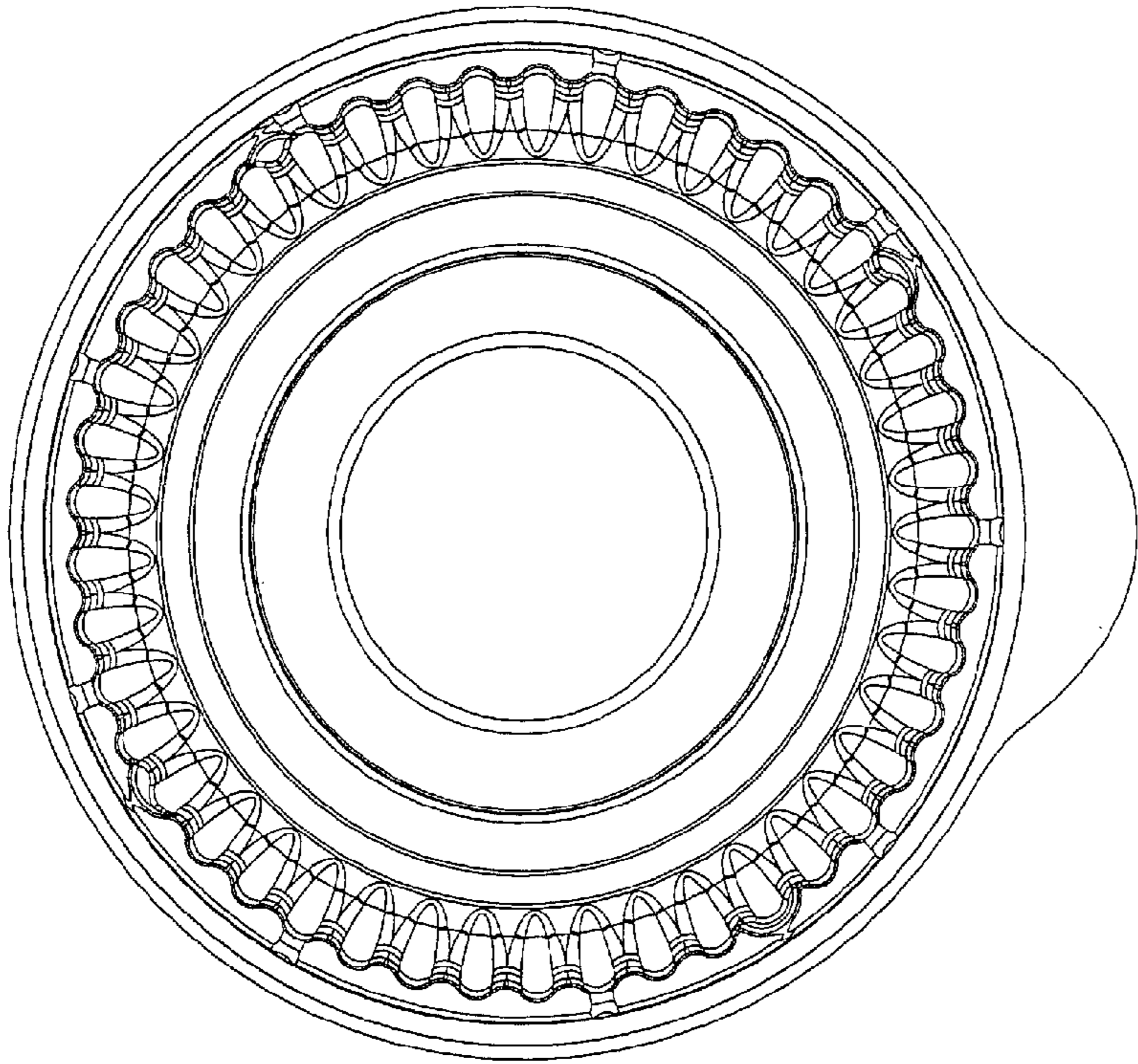


FIG. 10

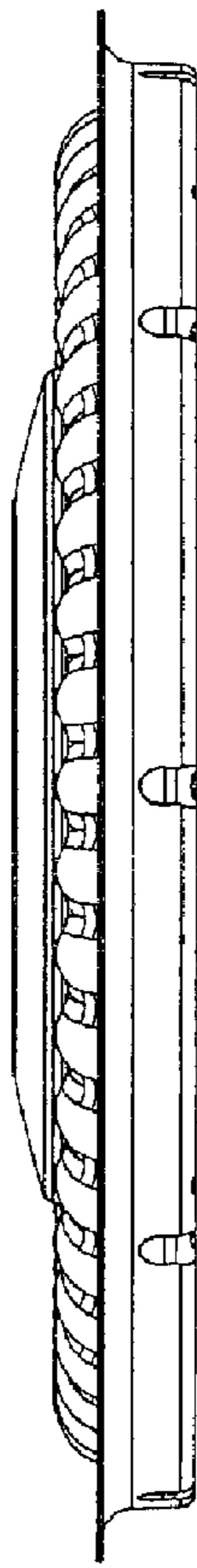


FIG. 11

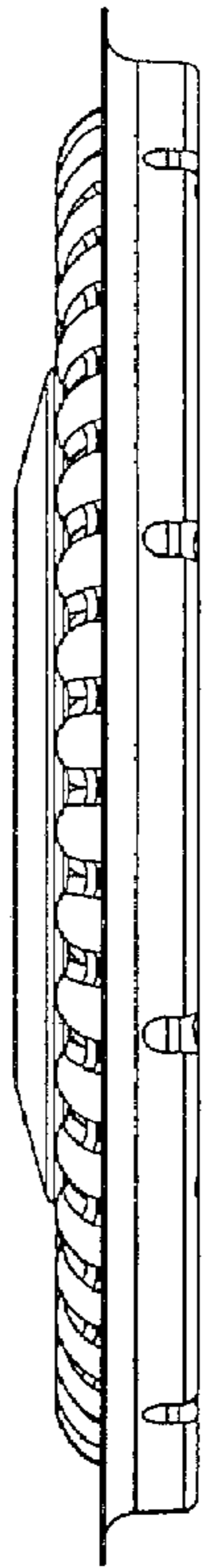


FIG. 12

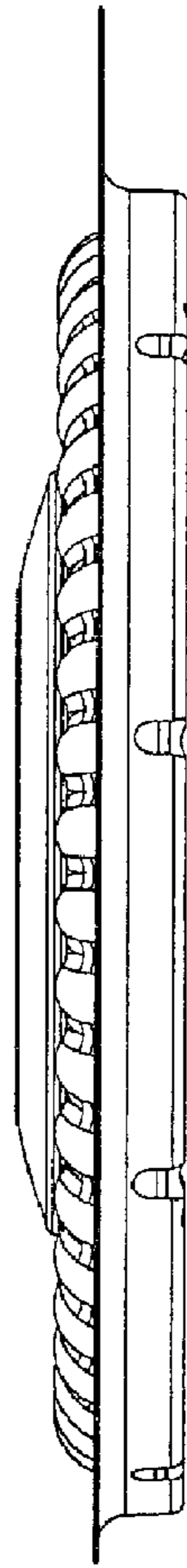


FIG. 13

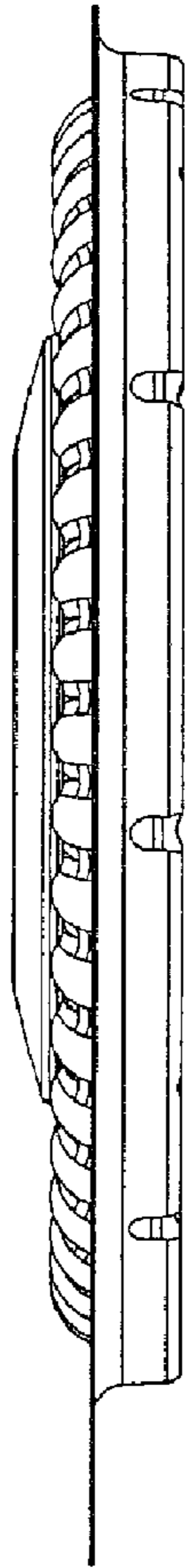


FIG. 14

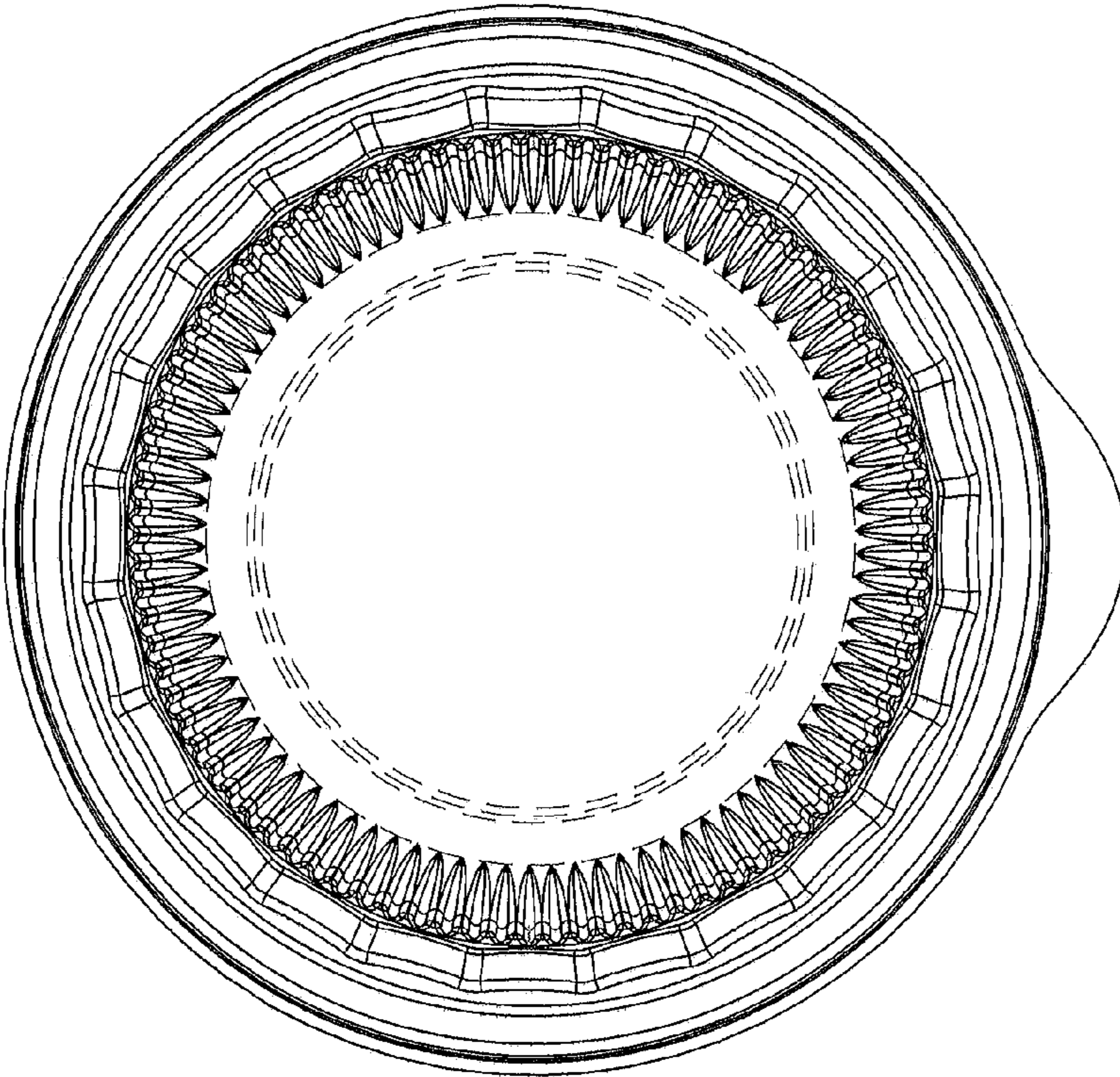


FIG. 15

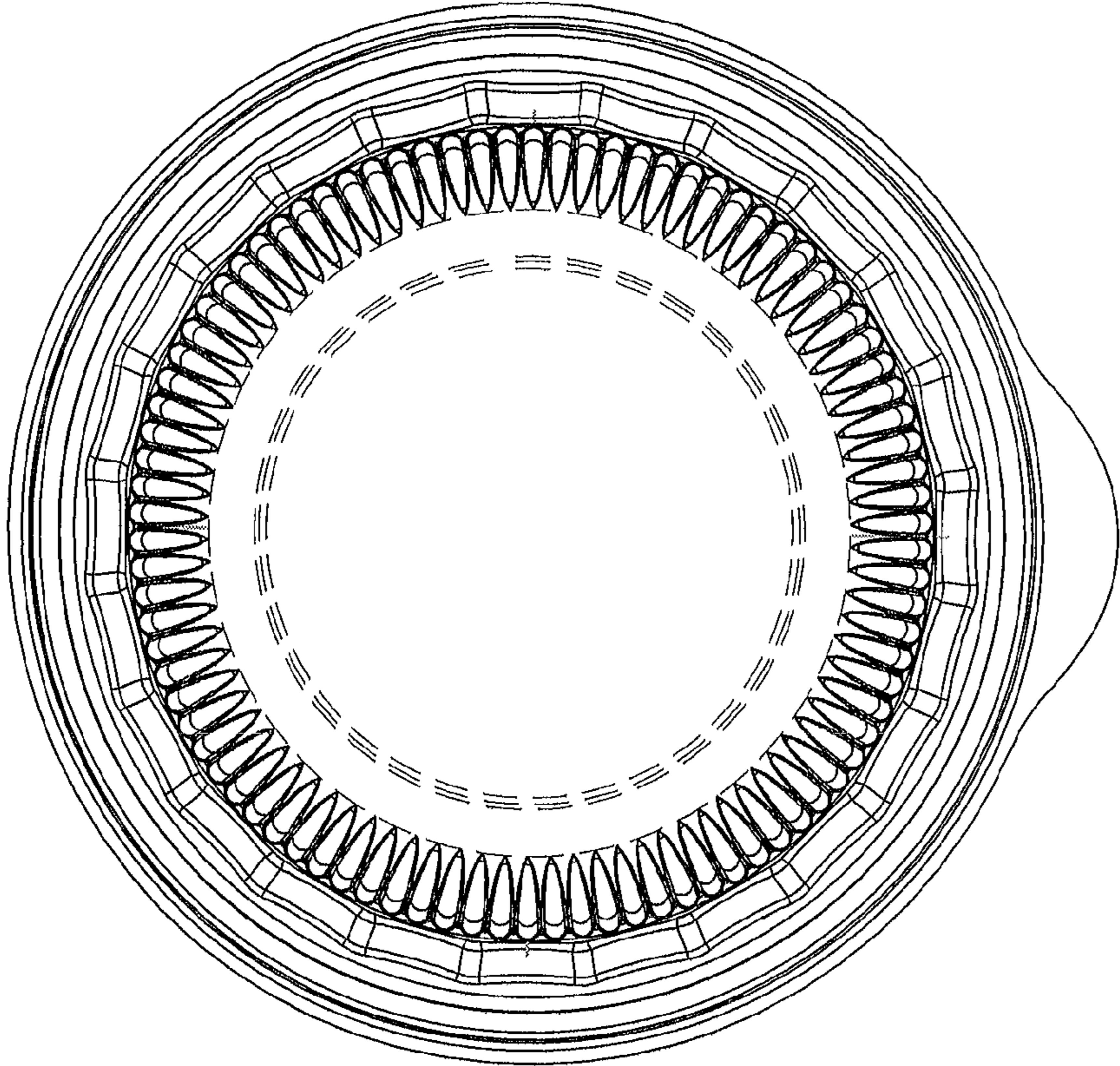


FIG. 16

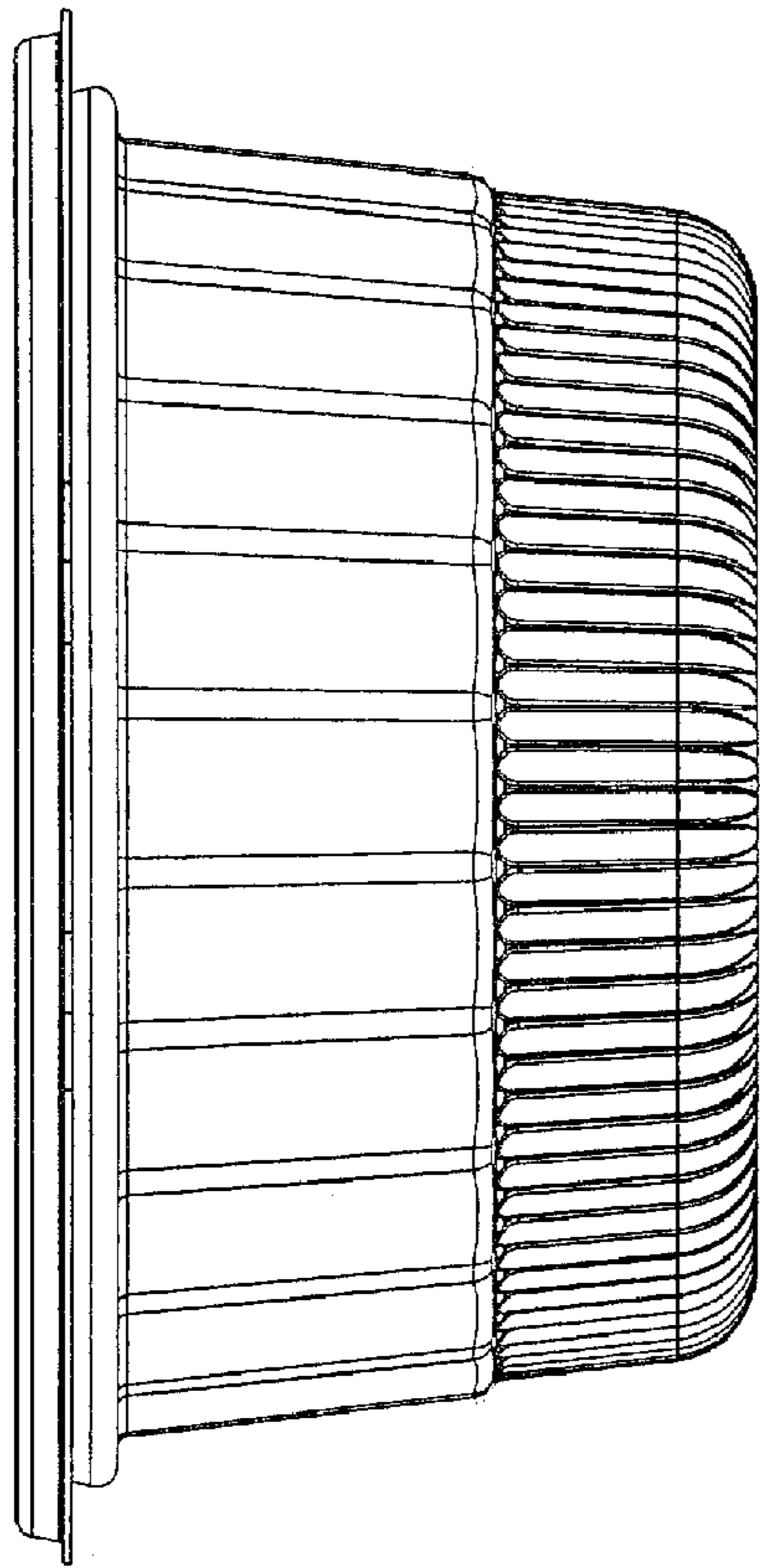


FIG. 17

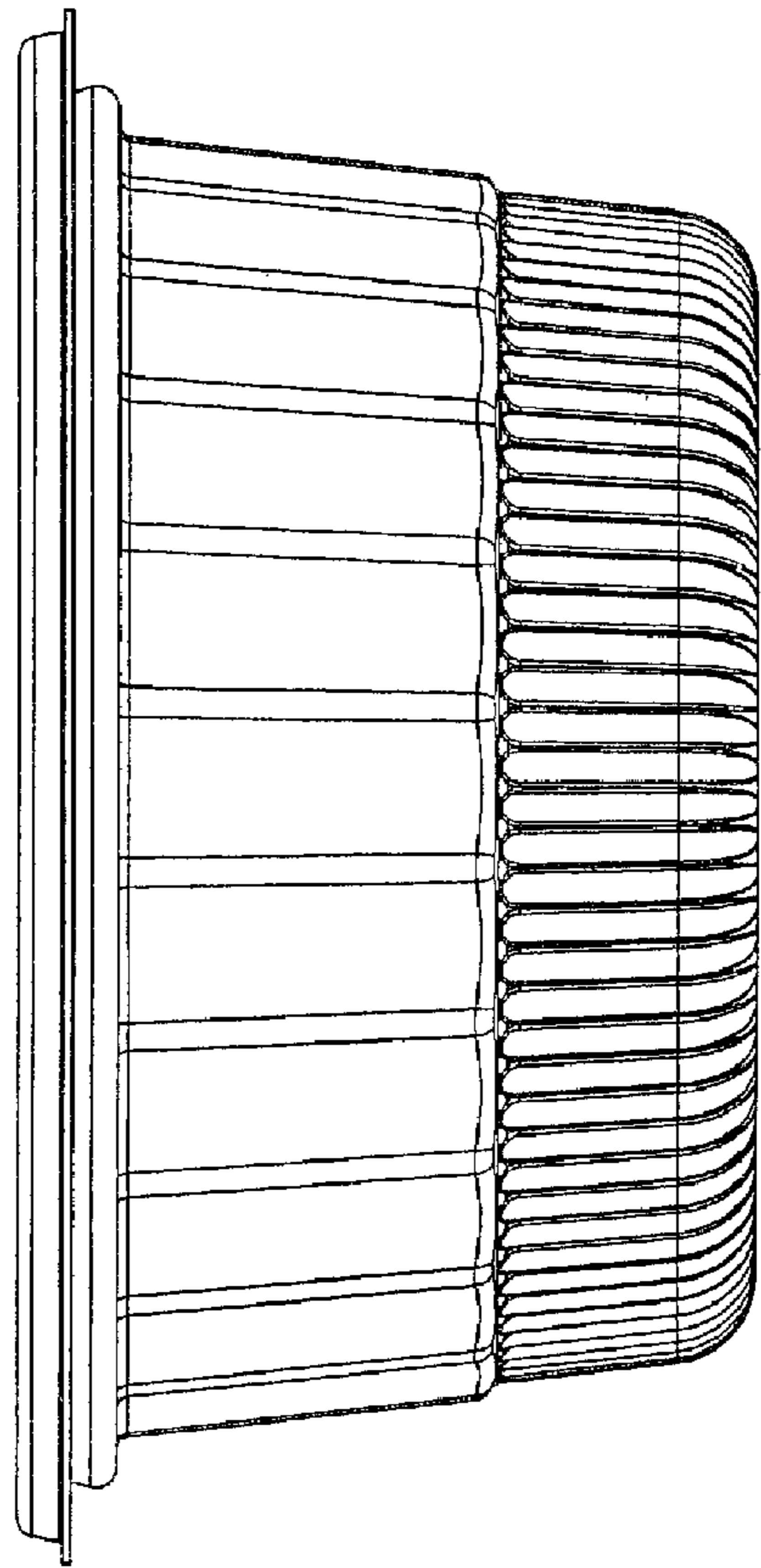


FIG. 18

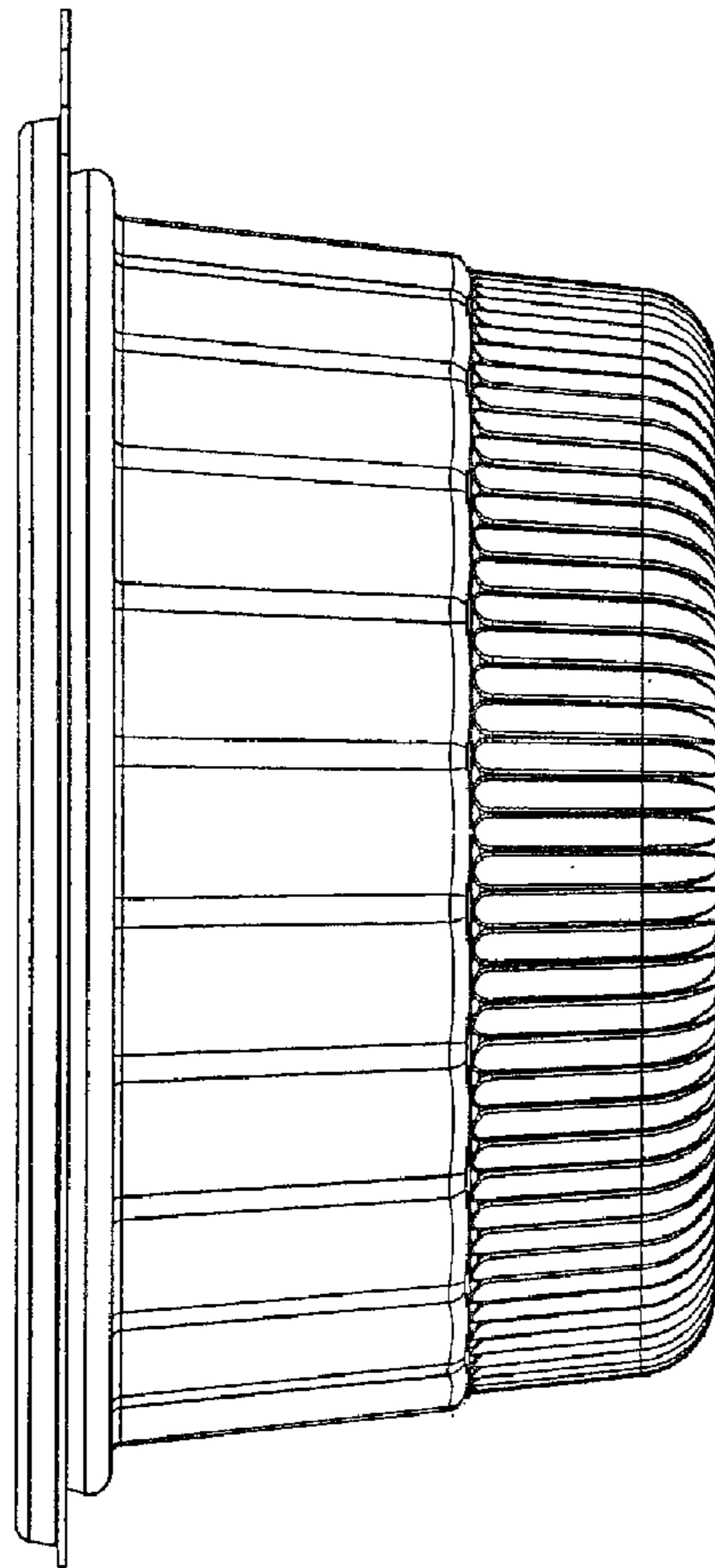


FIG. 19

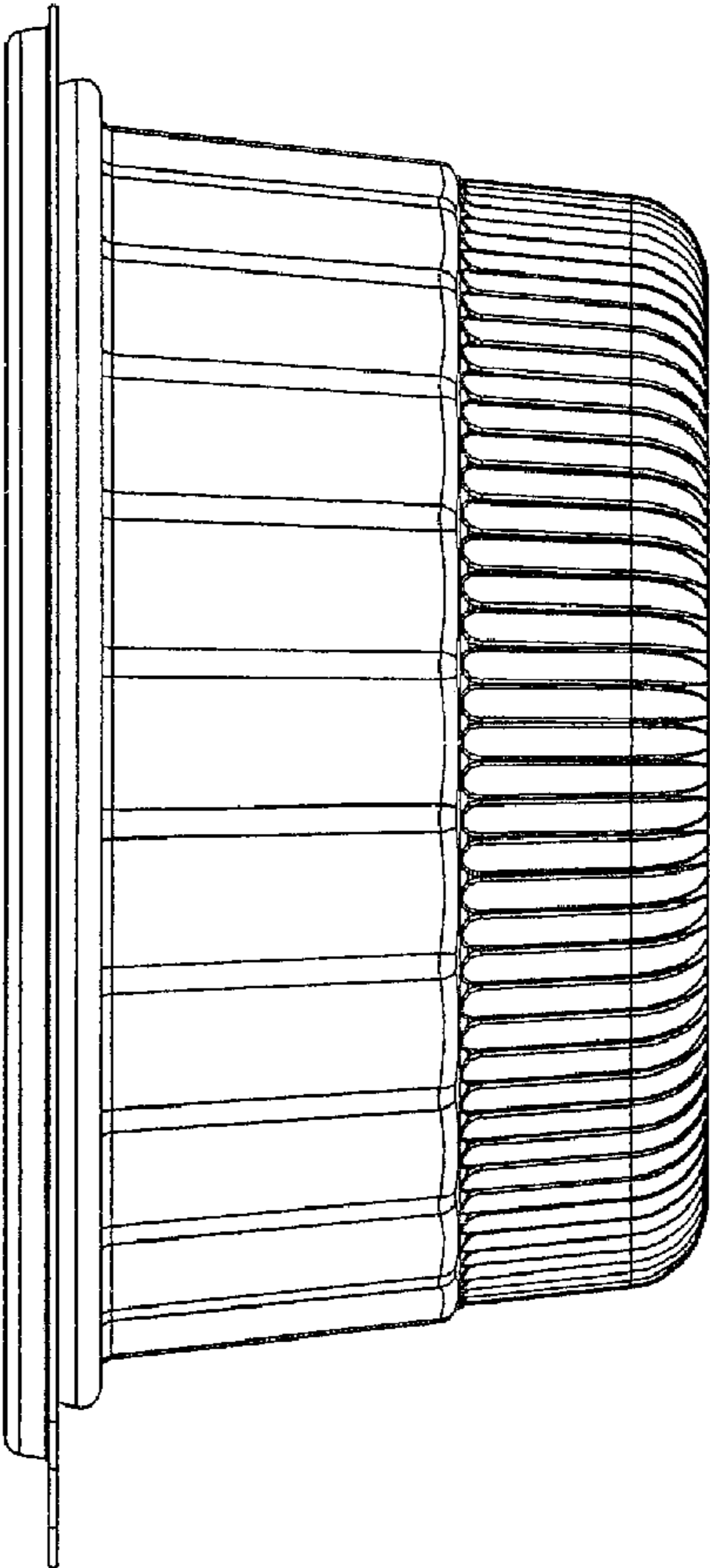


FIG. 20

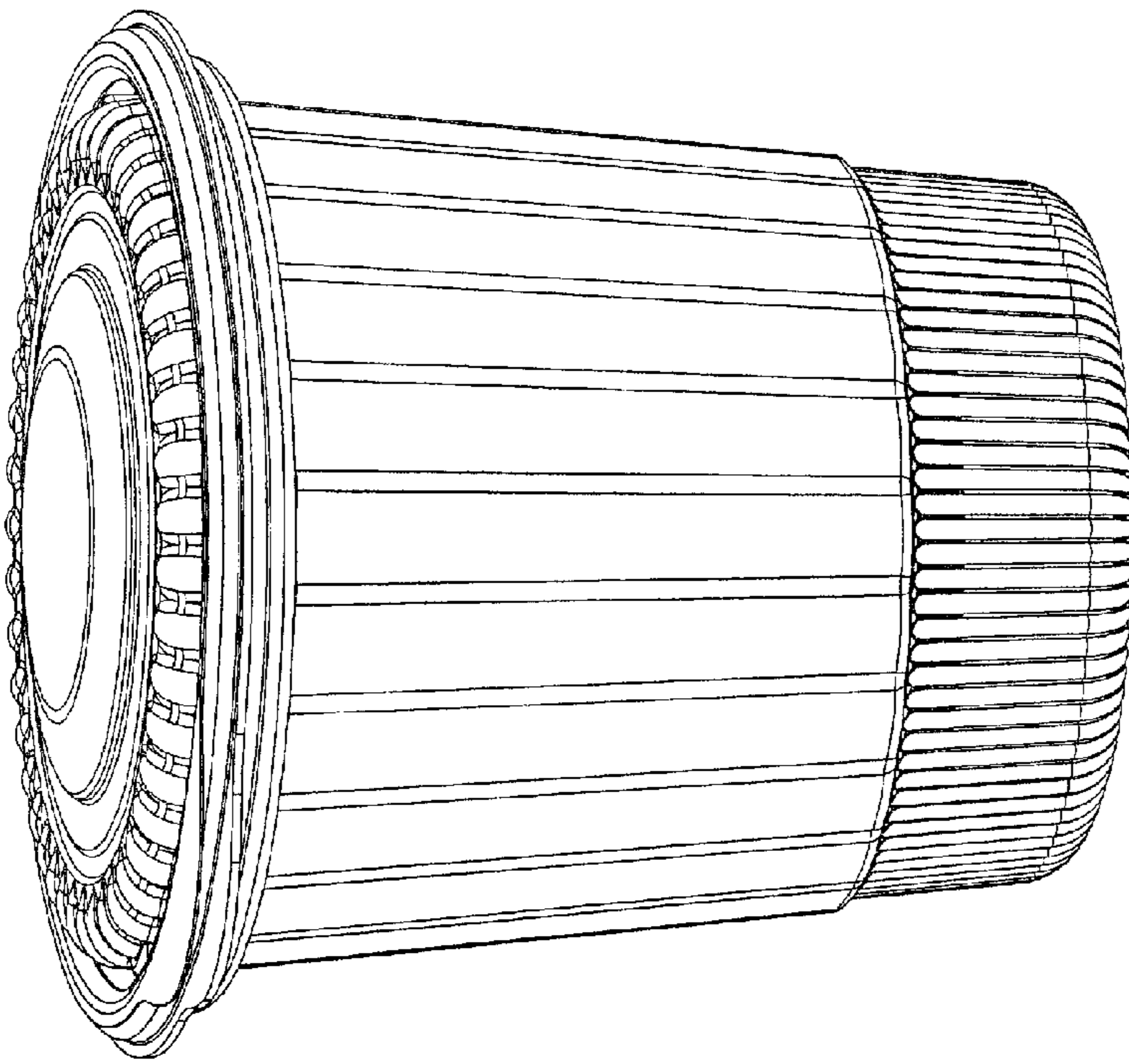


FIG. 21

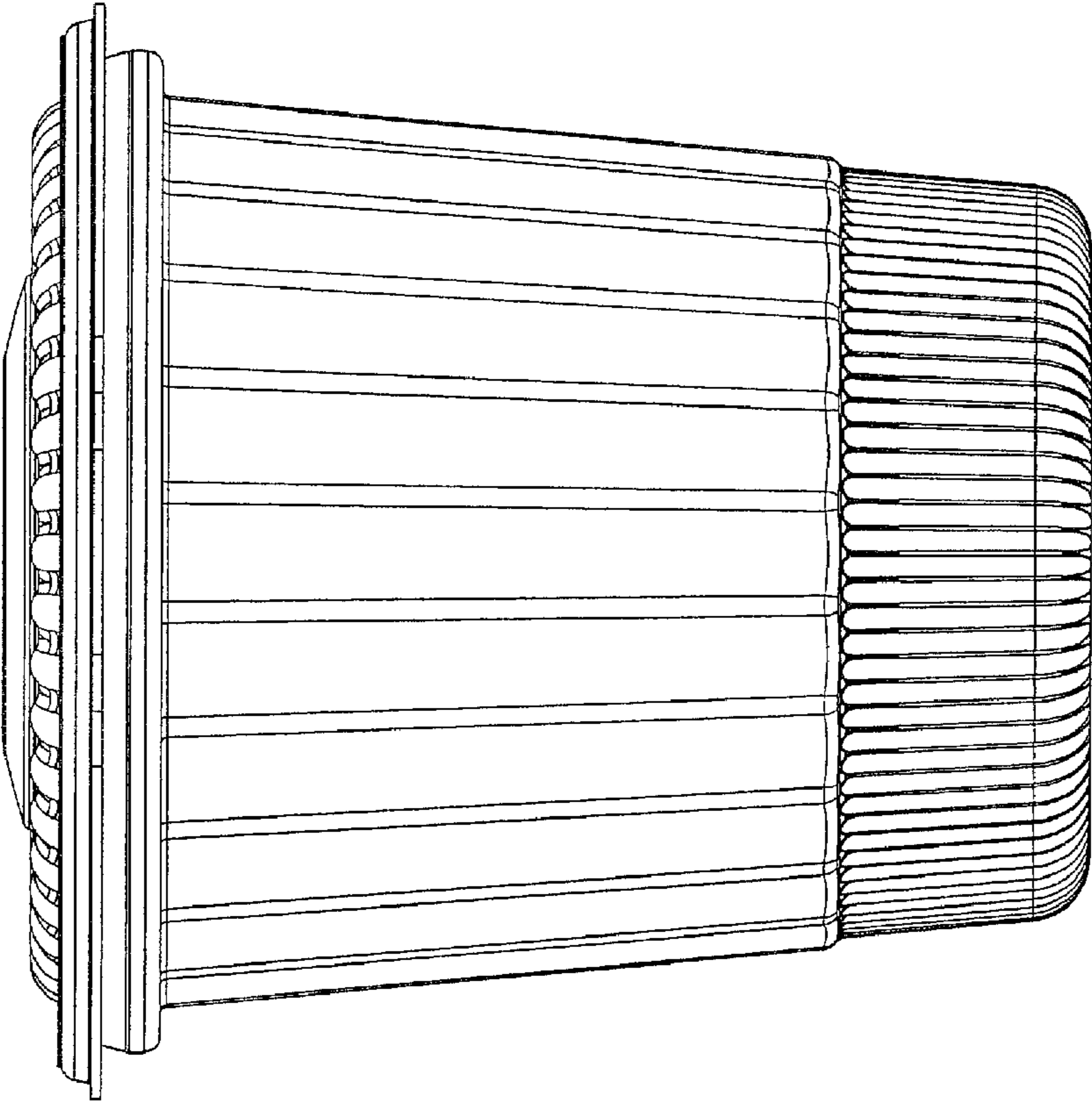


FIG. 22

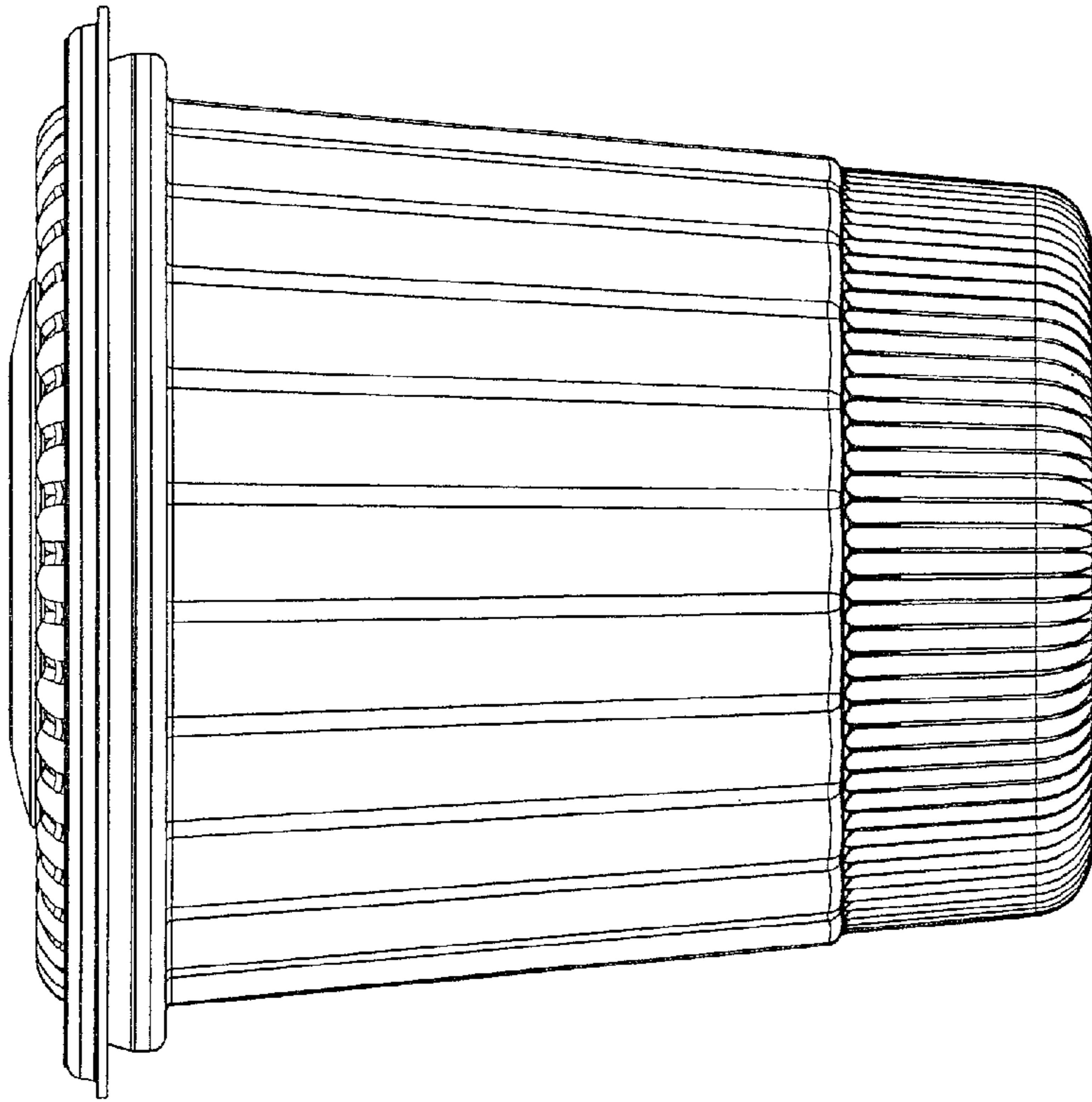


FIG. 23

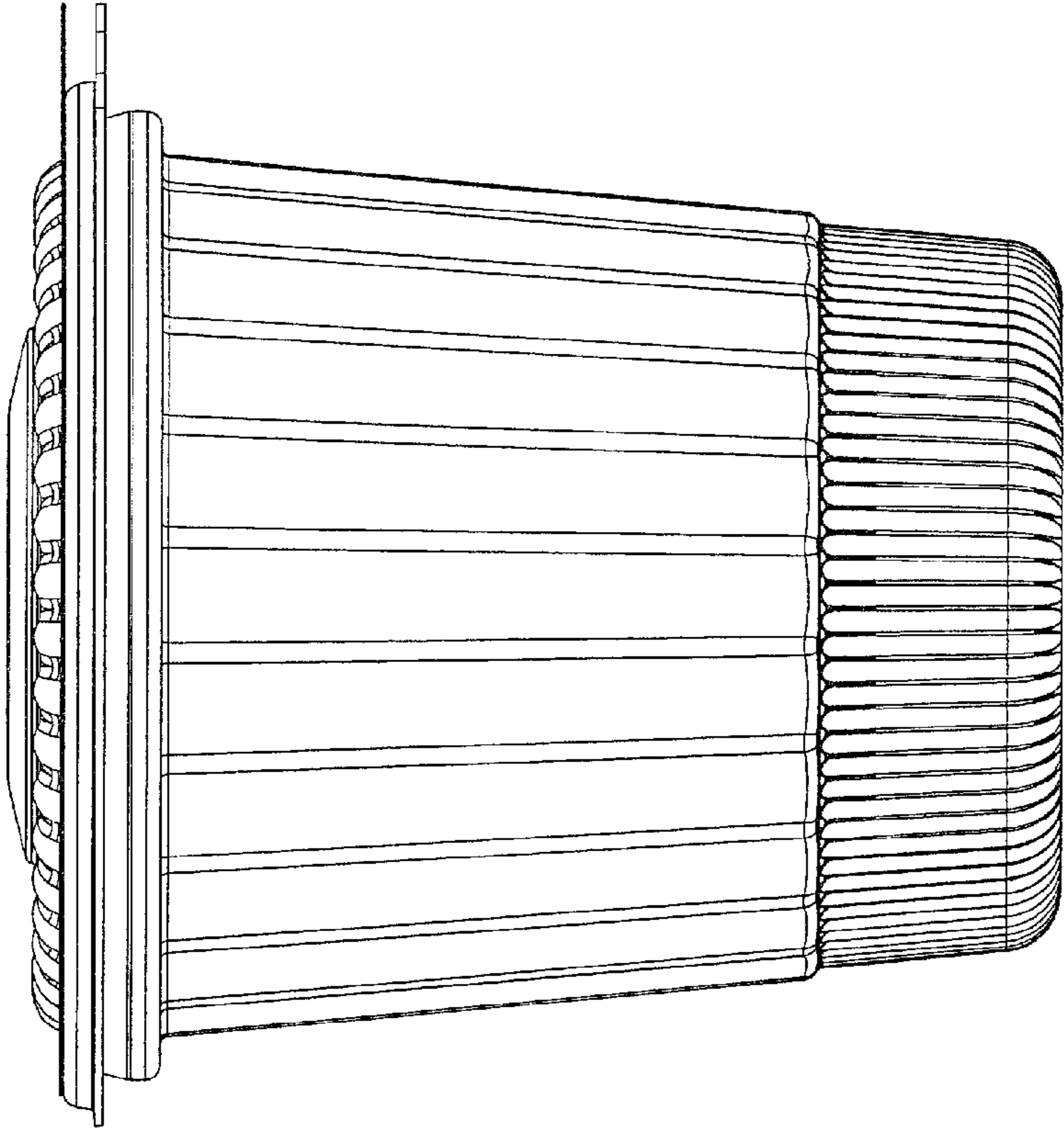


FIG. 24

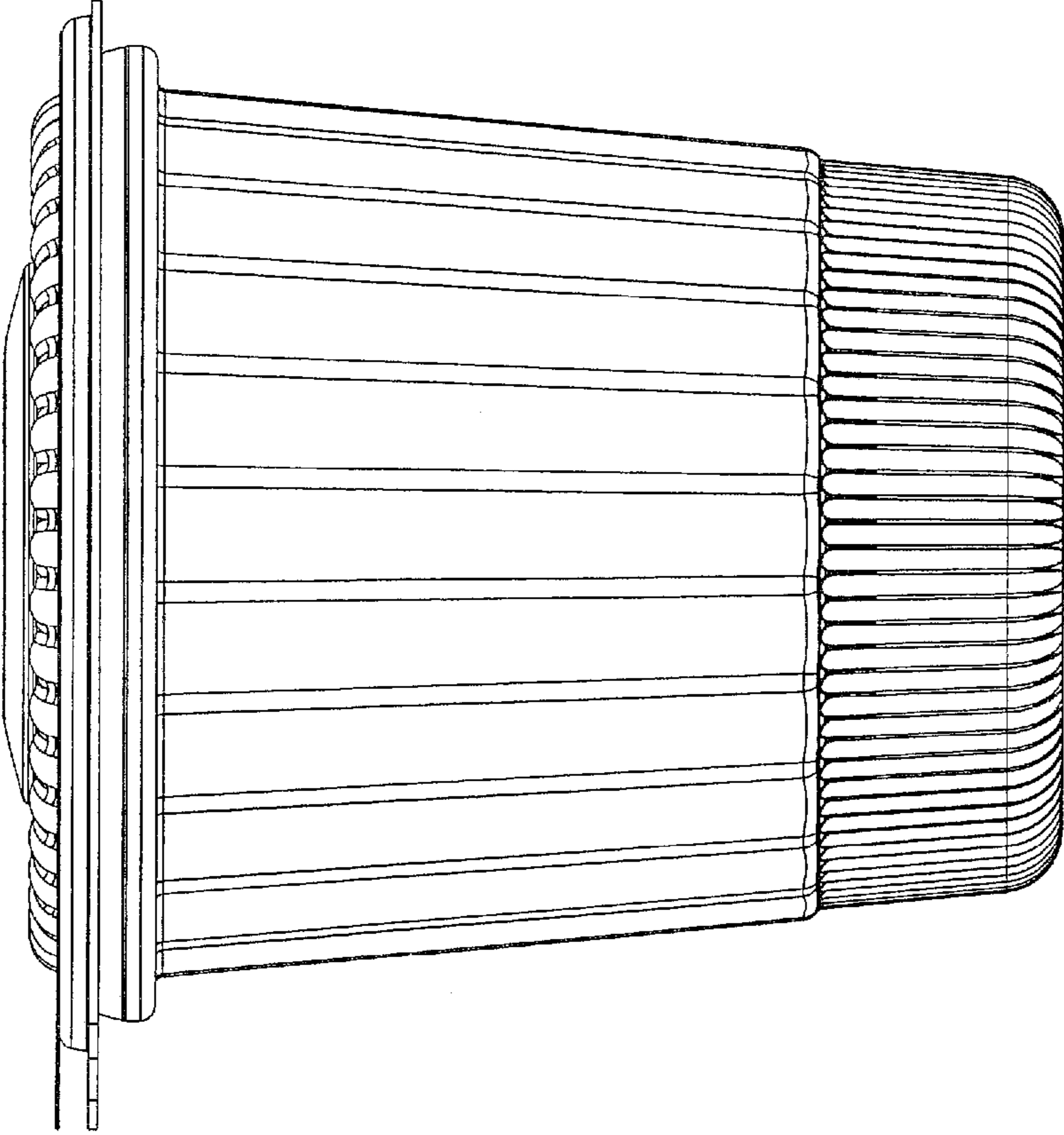


FIG. 25

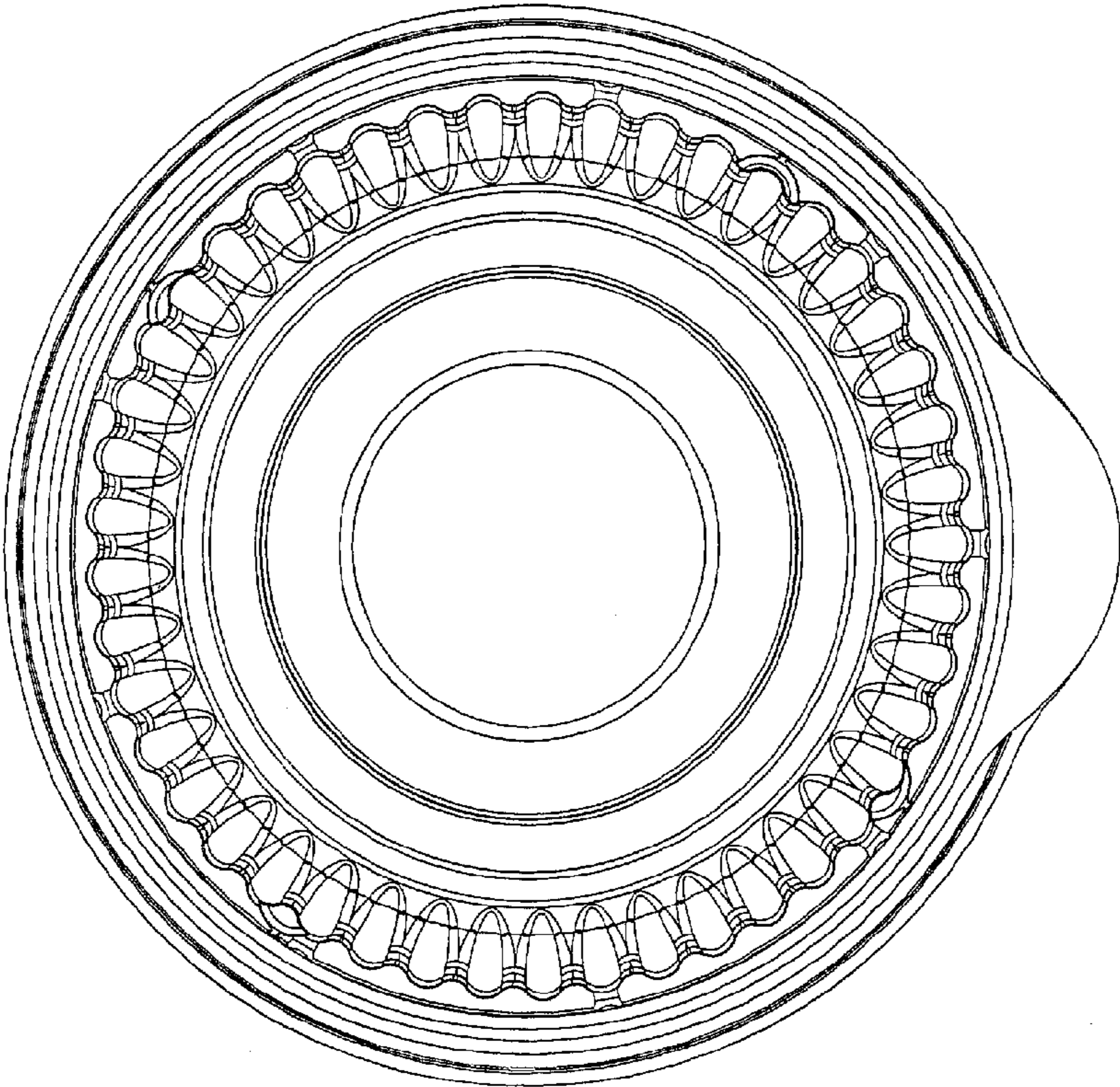


FIG. 26

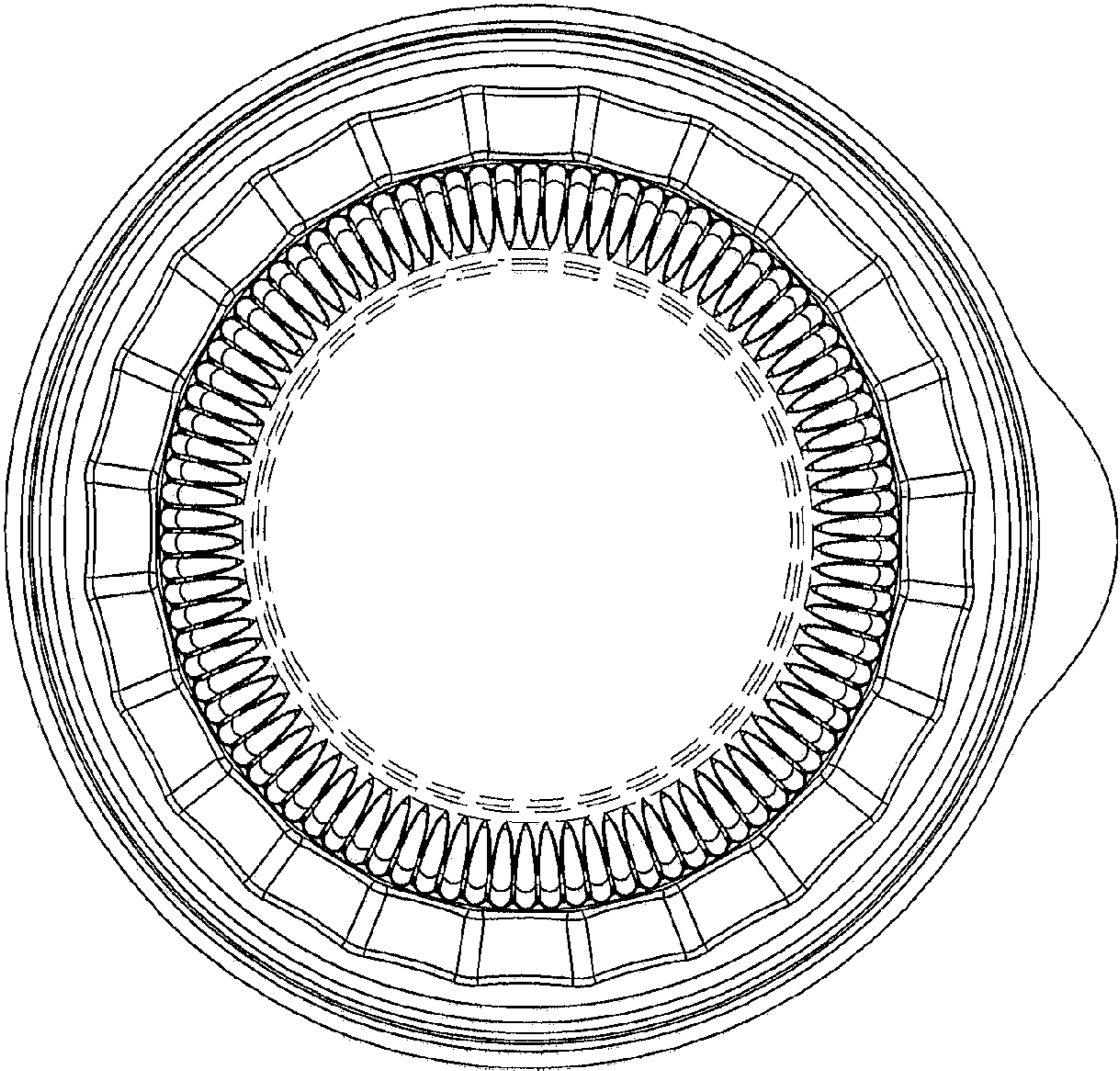


FIG. 27

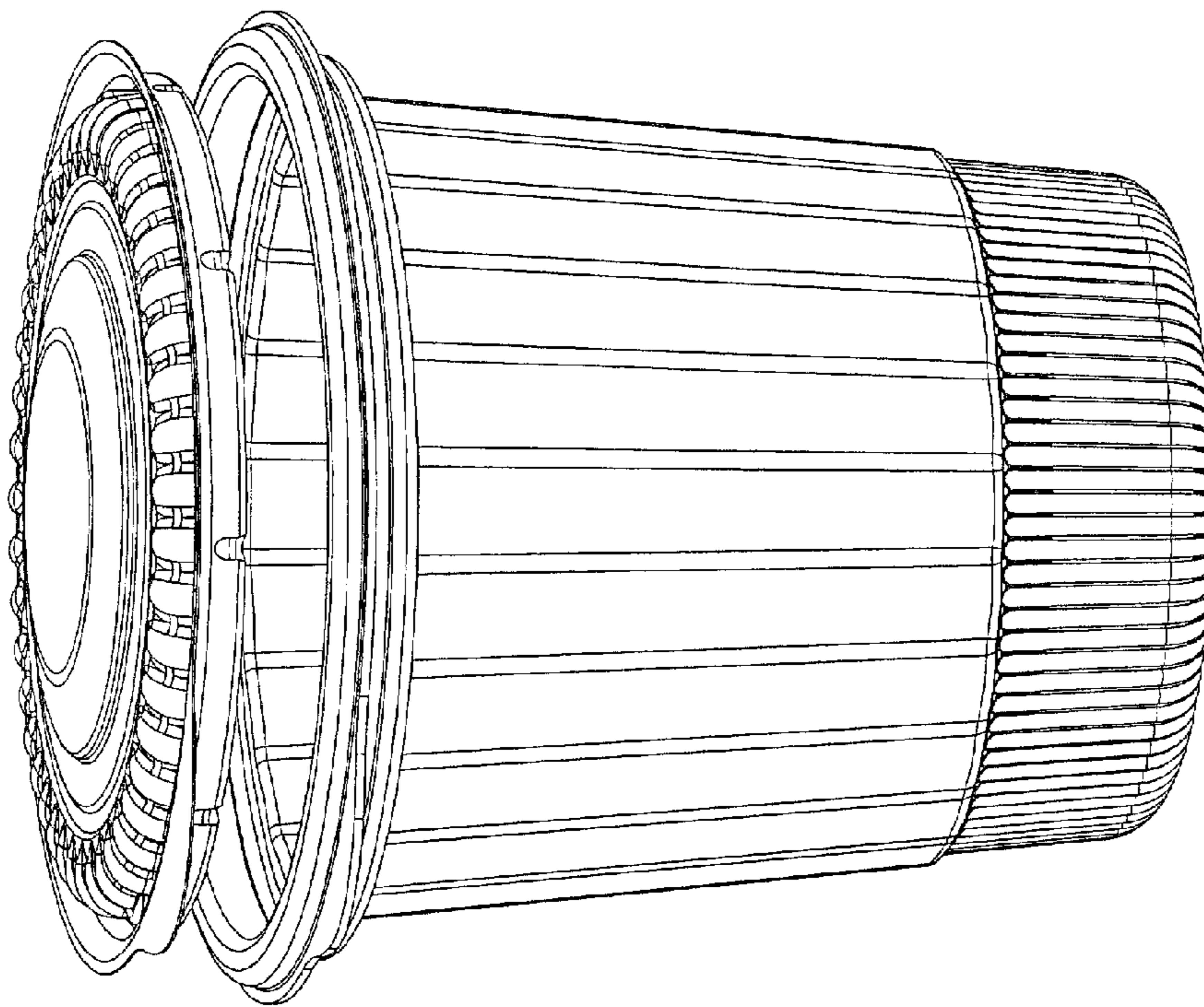


FIG. 28

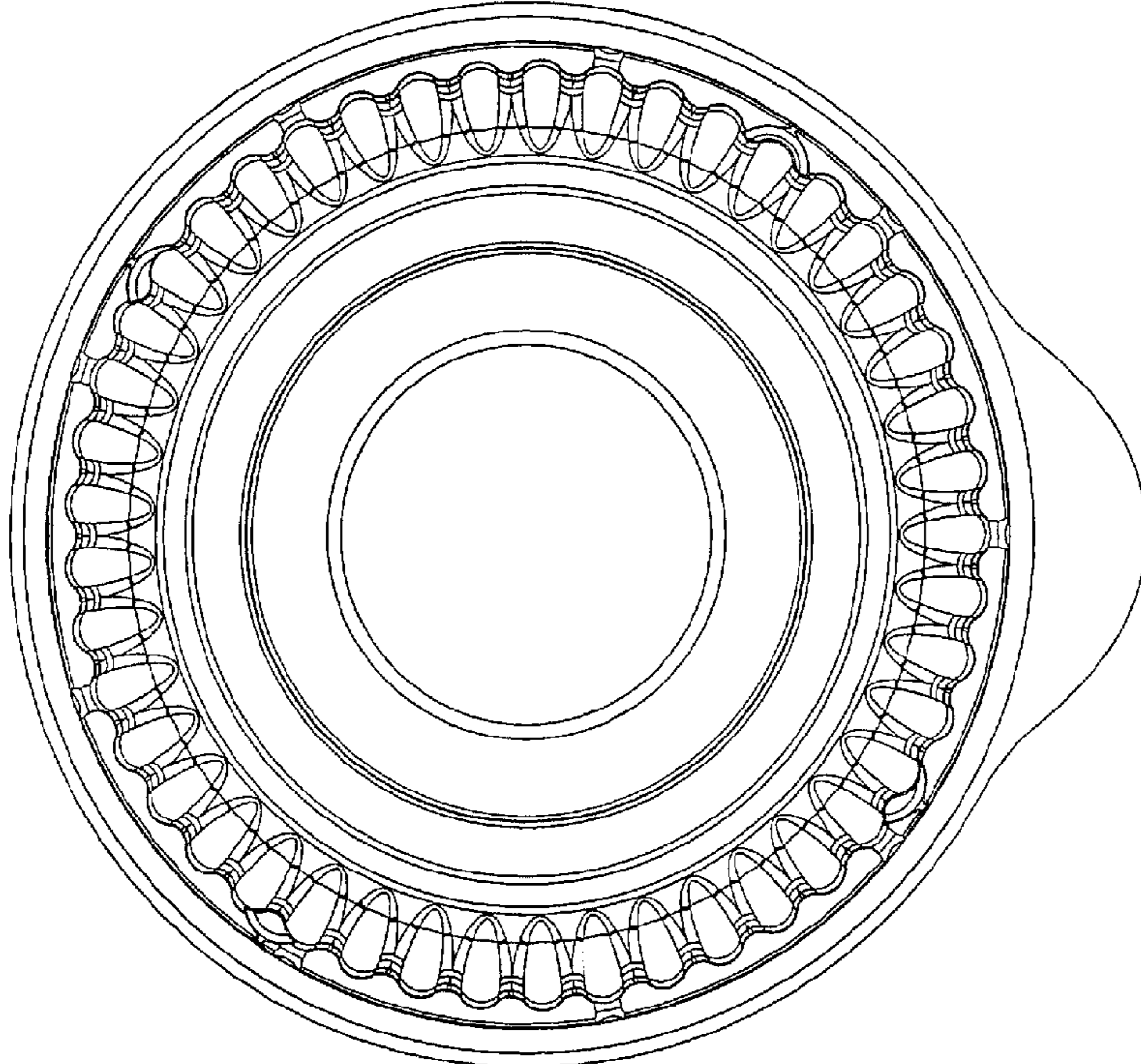


FIG. 29

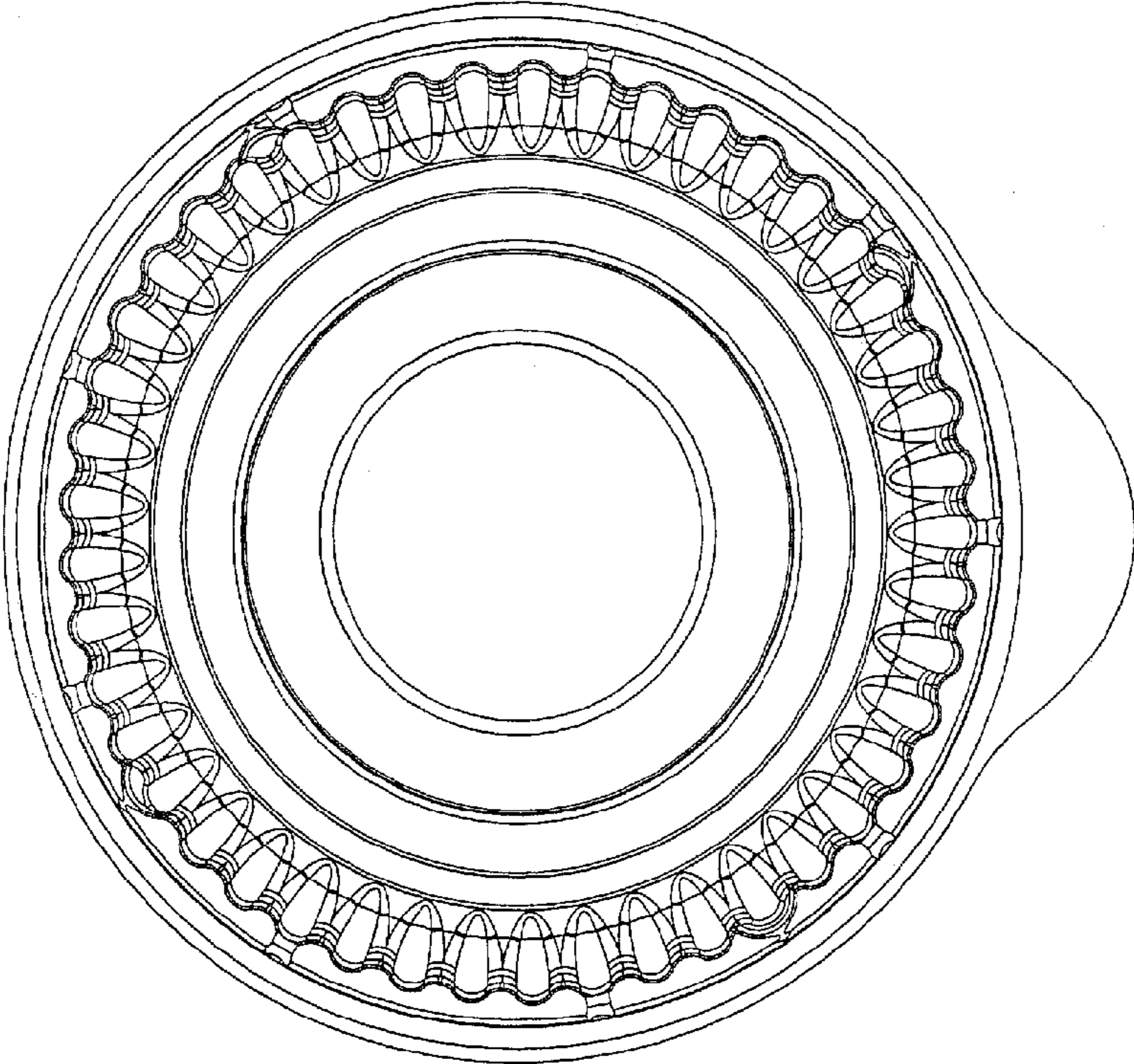


FIG. 30

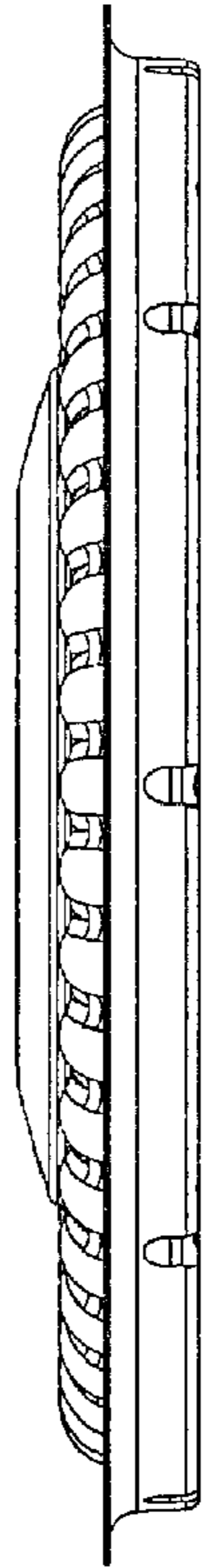


FIG. 31

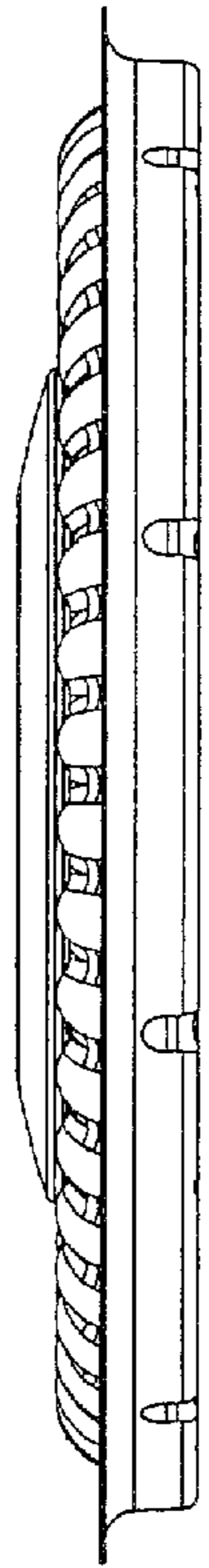


FIG. 32

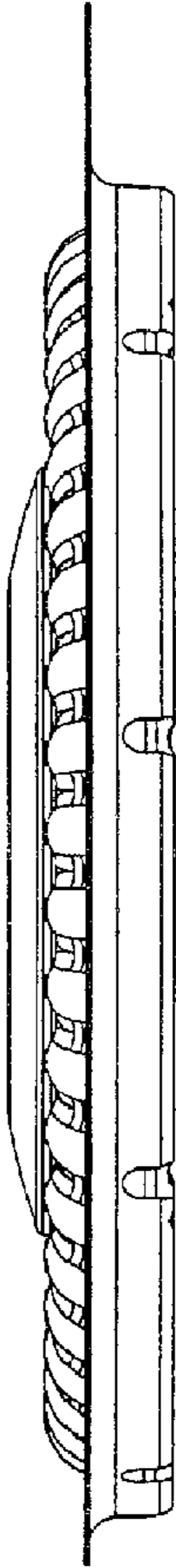


FIG. 33

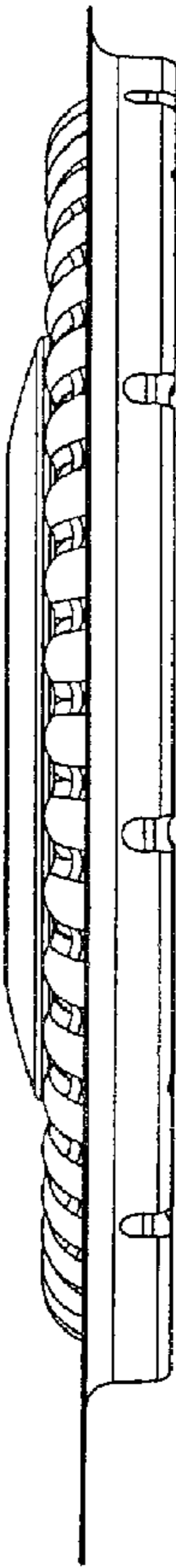


FIG. 34

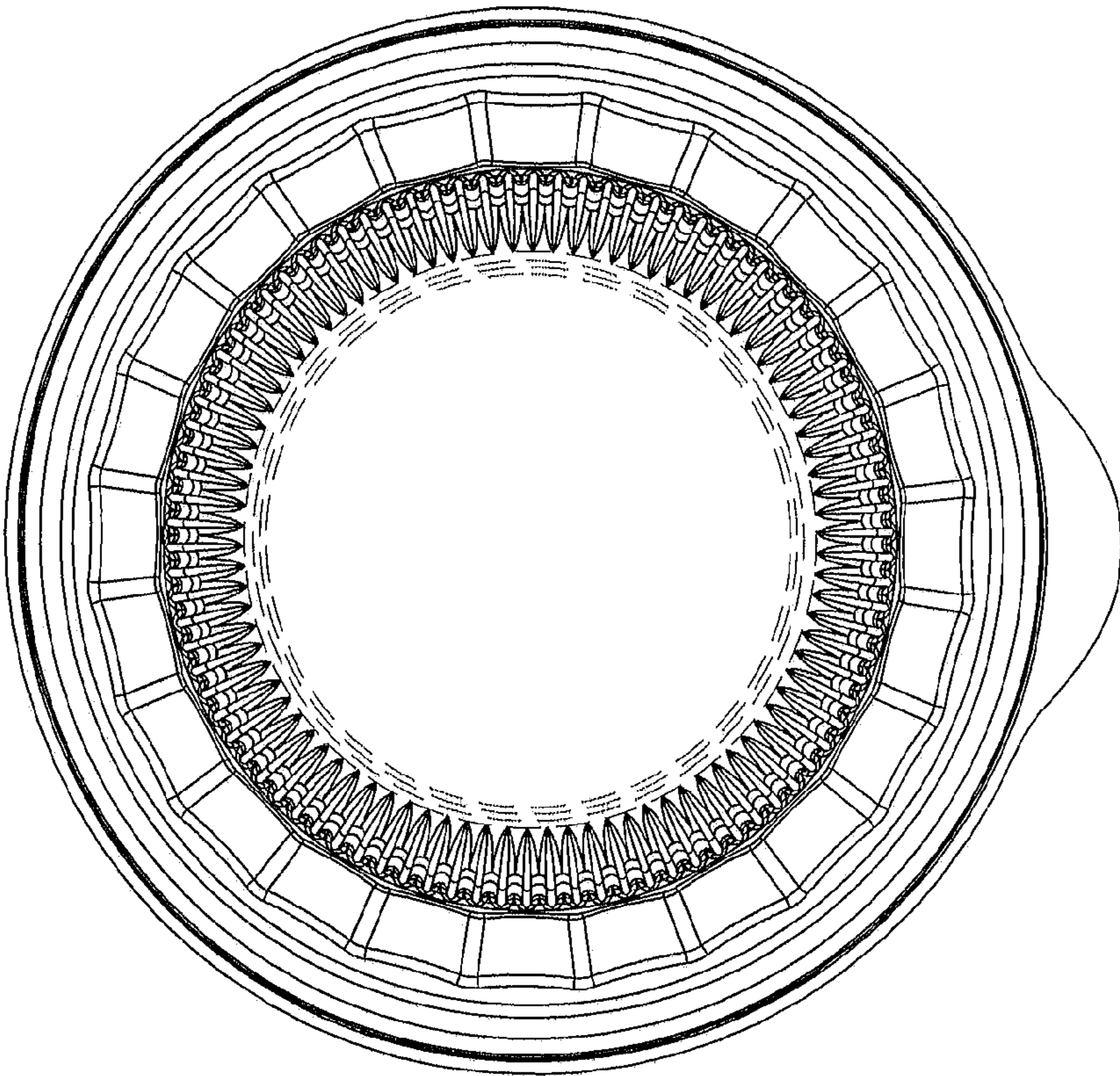


FIG. 35

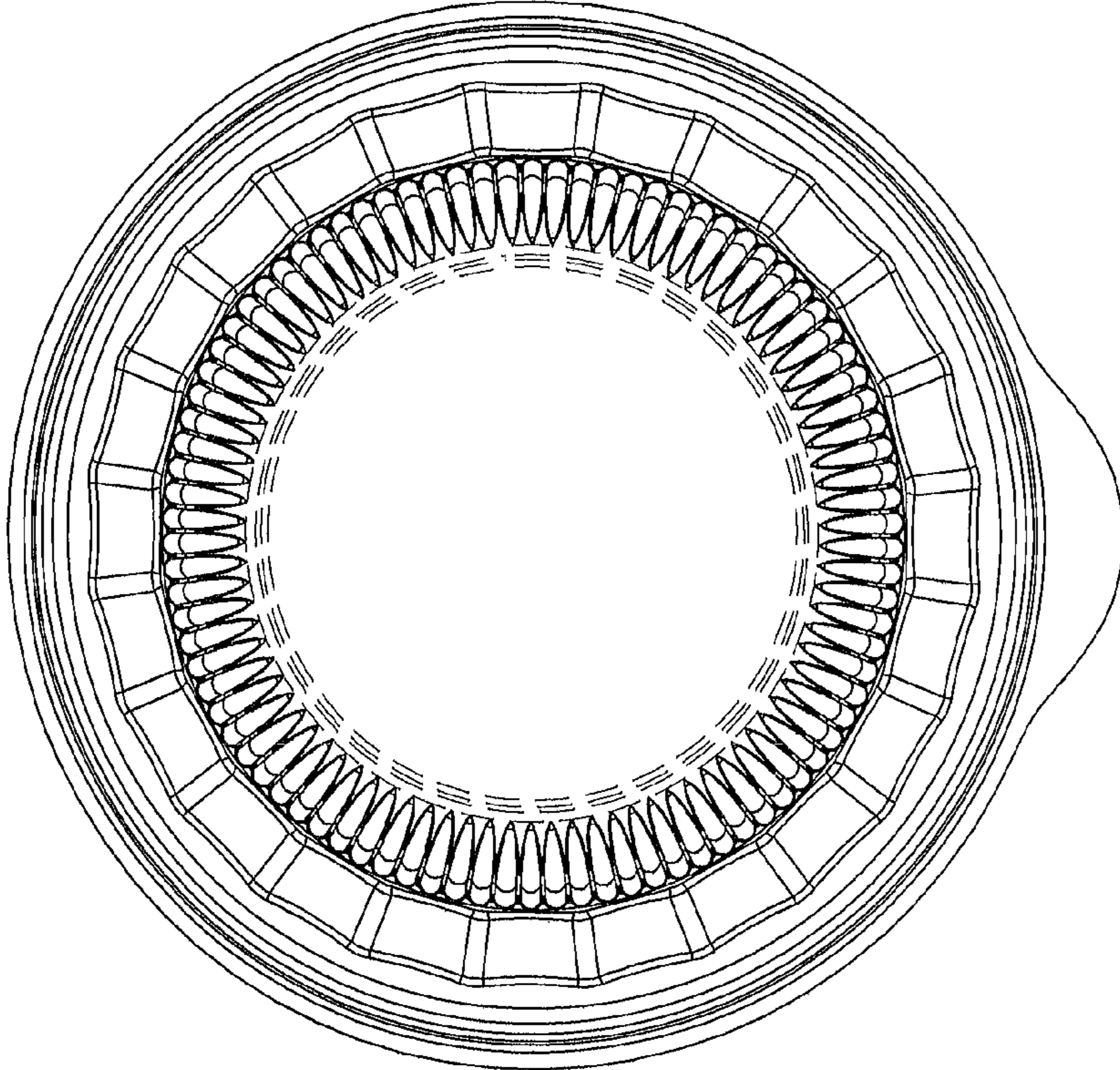


FIG. 36

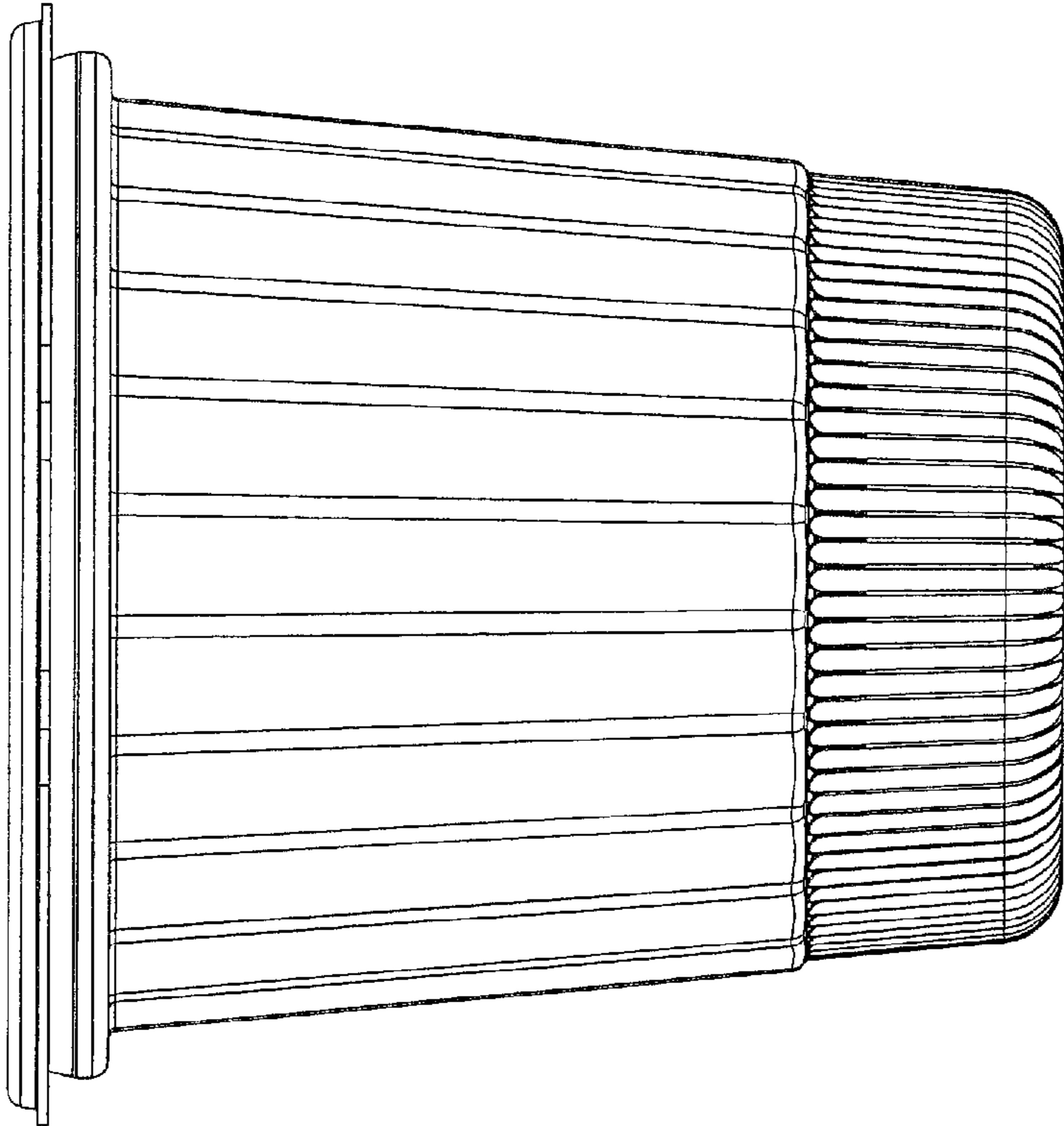


FIG. 37

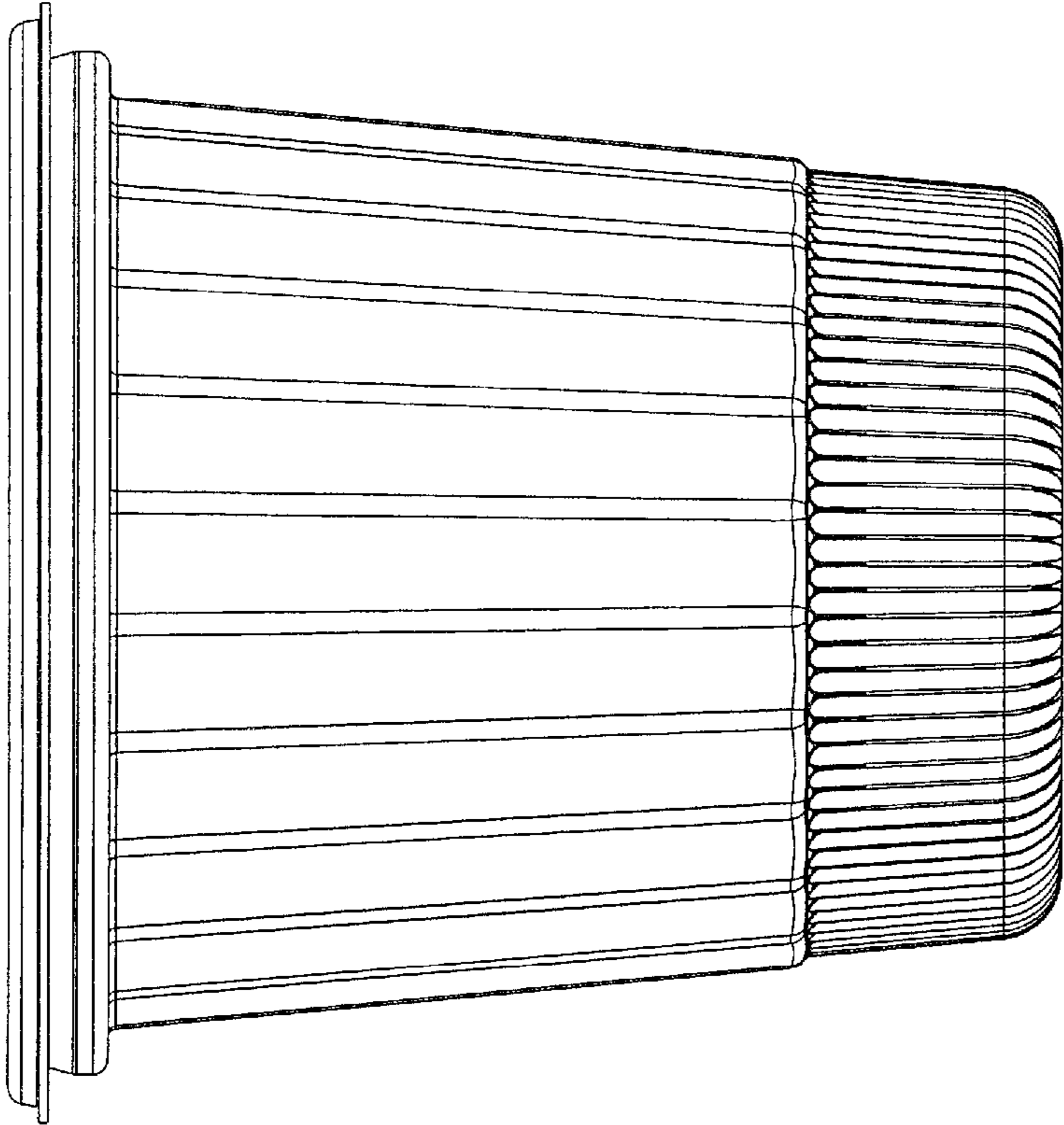


FIG. 38

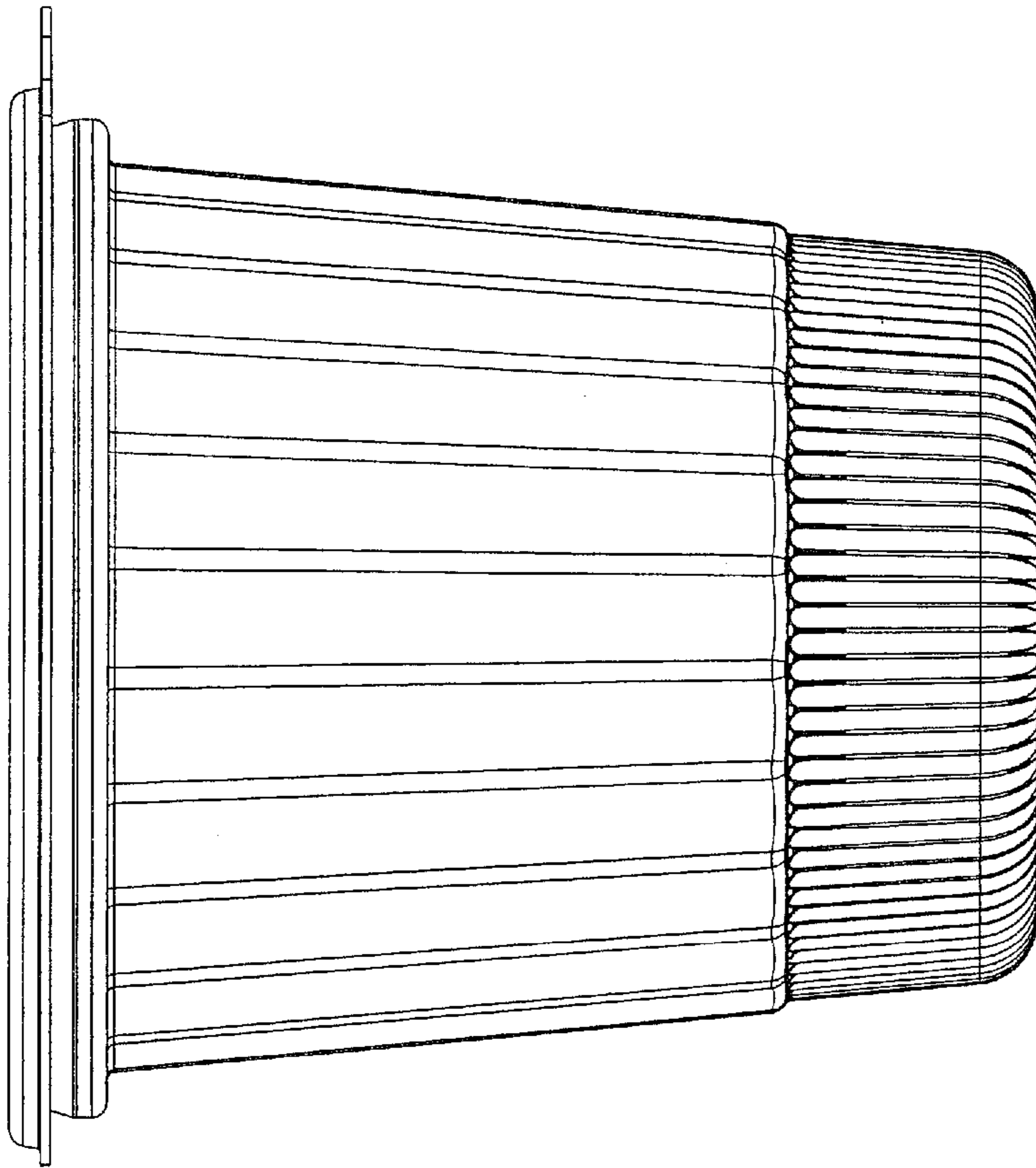


FIG. 39

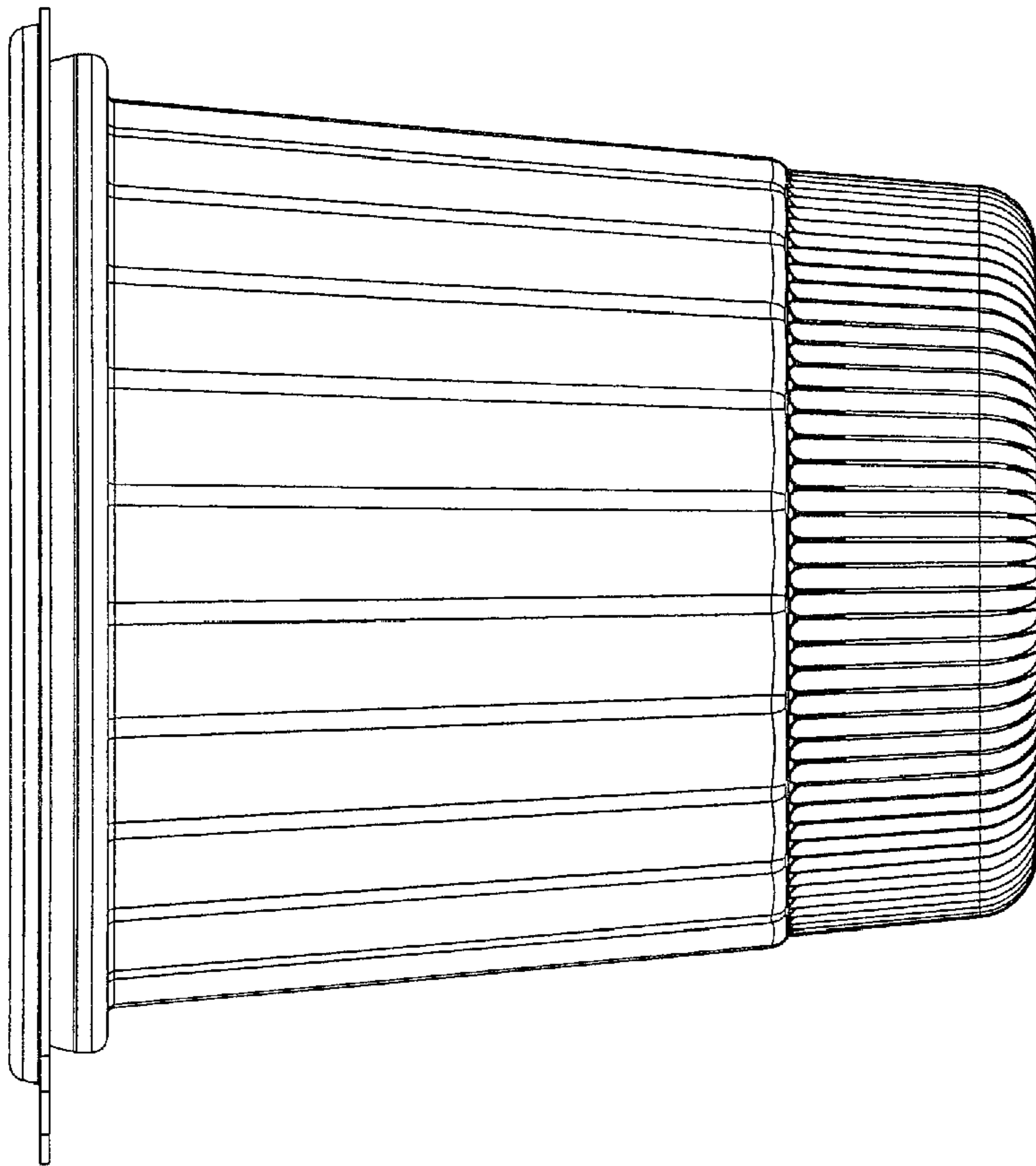


FIG. 40