



US00D638289S

(12) **United States Design Patent**  
**Tedesco et al.**

(10) **Patent No.:** **US D638,289 S**  
(45) **Date of Patent:** **\*\* May 24, 2011**

(54) **SEISMIC EXPANSION JOINT CLIP FOR  
SUSPENDED CEILINGS**

(75) Inventors: **Lee Matthew Tedesco**, Shorewood, IL  
(US); **James Joseph Lehane**, McHenry,  
IL (US); **Abraham Monroe**  
**Underkofler**, Waukegan, IL (US); **Peder**  
**John Gulbrandsen**, Aurora, IL (US);  
**Mark Robert Paulsen**, Waukegan, IL  
(US)

(73) Assignee: **USG Interiors, Inc.**, Chicago, IL (US)

(\*\*) Term: **14 Years**

(21) Appl. No.: **29/380,151**

(22) Filed: **Dec. 1, 2010**

(51) **LOC (9) Cl.** ..... **08-08**

(52) **U.S. Cl.** ..... **D8/394; D8/380**

(58) **Field of Classification Search** ..... D8/356,  
D8/371, 394-396, 380, 354; 24/570; 248/74.2,  
248/215, 227.1, 49, 300, 301, 316.7, 51,  
248/489; D19/65, 56; 52/484, 489, 506.06,  
52/506.07, 733.1

See application file for complete search history.

(56) **References Cited**

**U.S. PATENT DOCUMENTS**

3,590,544 A \* 7/1971 Shepherd ..... 52/506.06  
4,570,391 A \* 2/1986 Quante et al. .... 52/39

5,349,800 A \* 9/1994 Peng ..... 52/506.06  
5,499,883 A \* 3/1996 Heinzl ..... 403/219  
D371,506 S \* 7/1996 Nofziger ..... D8/354  
7,614,195 B2 \* 11/2009 Platt et al. .... 52/506.06  
D611,332 S \* 3/2010 Tedesco et al. .... D8/380  
7,770,349 B2 \* 8/2010 Tedesco et al. .... 52/506.08  
2007/0180787 A1 \* 8/2007 Fecska ..... 52/506.06  
2008/0060306 A1 \* 3/2008 Platt et al. .... 52/506.06  
2010/0005747 A1 \* 1/2010 Tedesco et al. .... 52/506.08

**OTHER PUBLICATIONS**

USG Interiors Inc, Ceiling Systems Marketing Catalog, Publication  
No. SC2392, Aug. 2002, p. 229.\*

\* cited by examiner

*Primary Examiner* — T. Chase Nelson  
*Assistant Examiner* — John Windmuller

(74) *Attorney, Agent, or Firm* — Pradip K. Sahu; David F.  
Janci; Philip T. Petti

(57) **CLAIM**

The ornamental design for a seismic expansion joint clip for  
suspended ceilings, as shown and described.

**DESCRIPTION**

FIG. 1 is a top perspective view of the present seismic expansion  
joint clip for suspended ceilings;  
FIG. 2 is a top view of same;  
FIG. 3 is a side view of same; and,  
FIG. 4 is a bottom view of same.

**1 Claim, 2 Drawing Sheets**

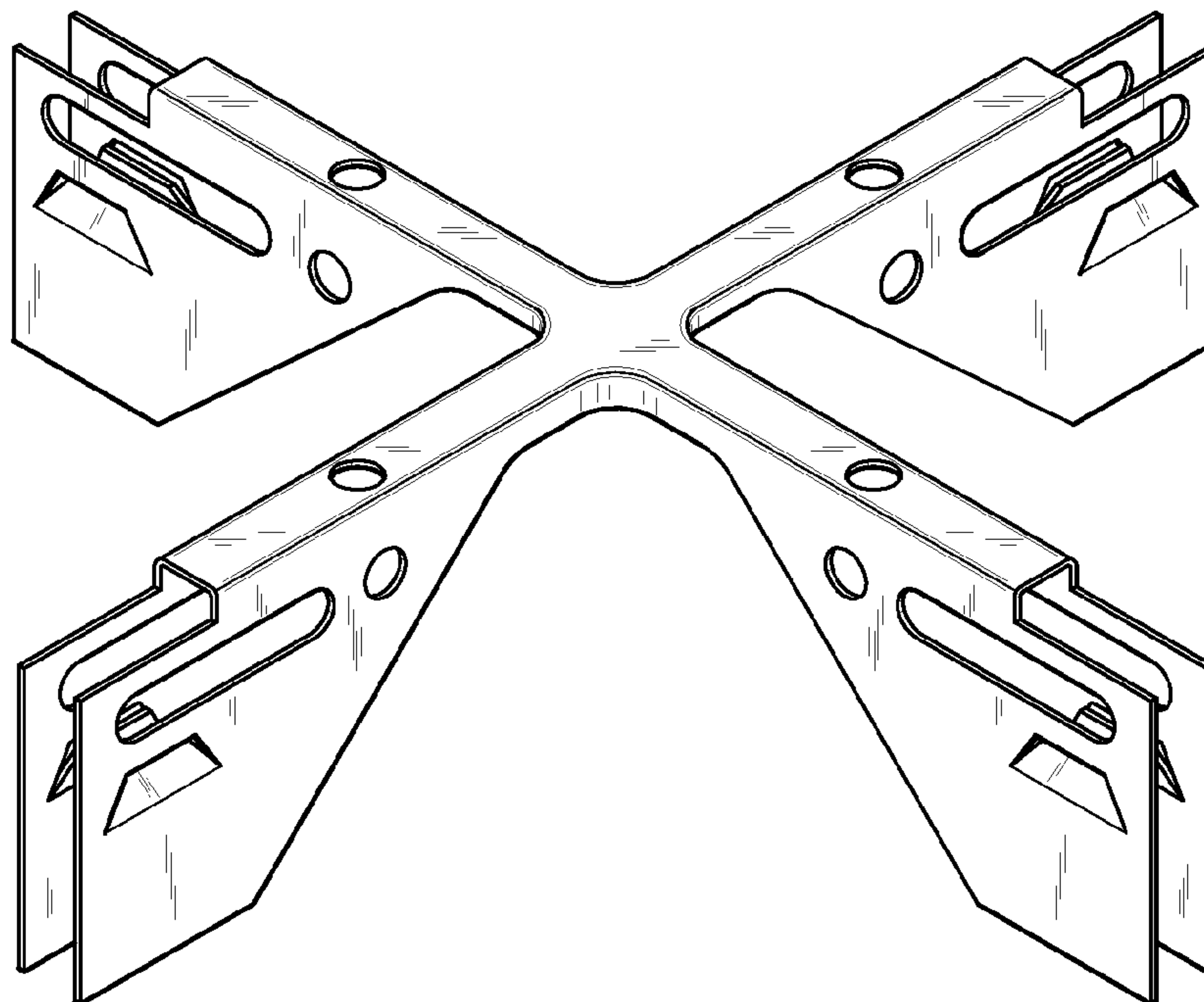


FIG. 1

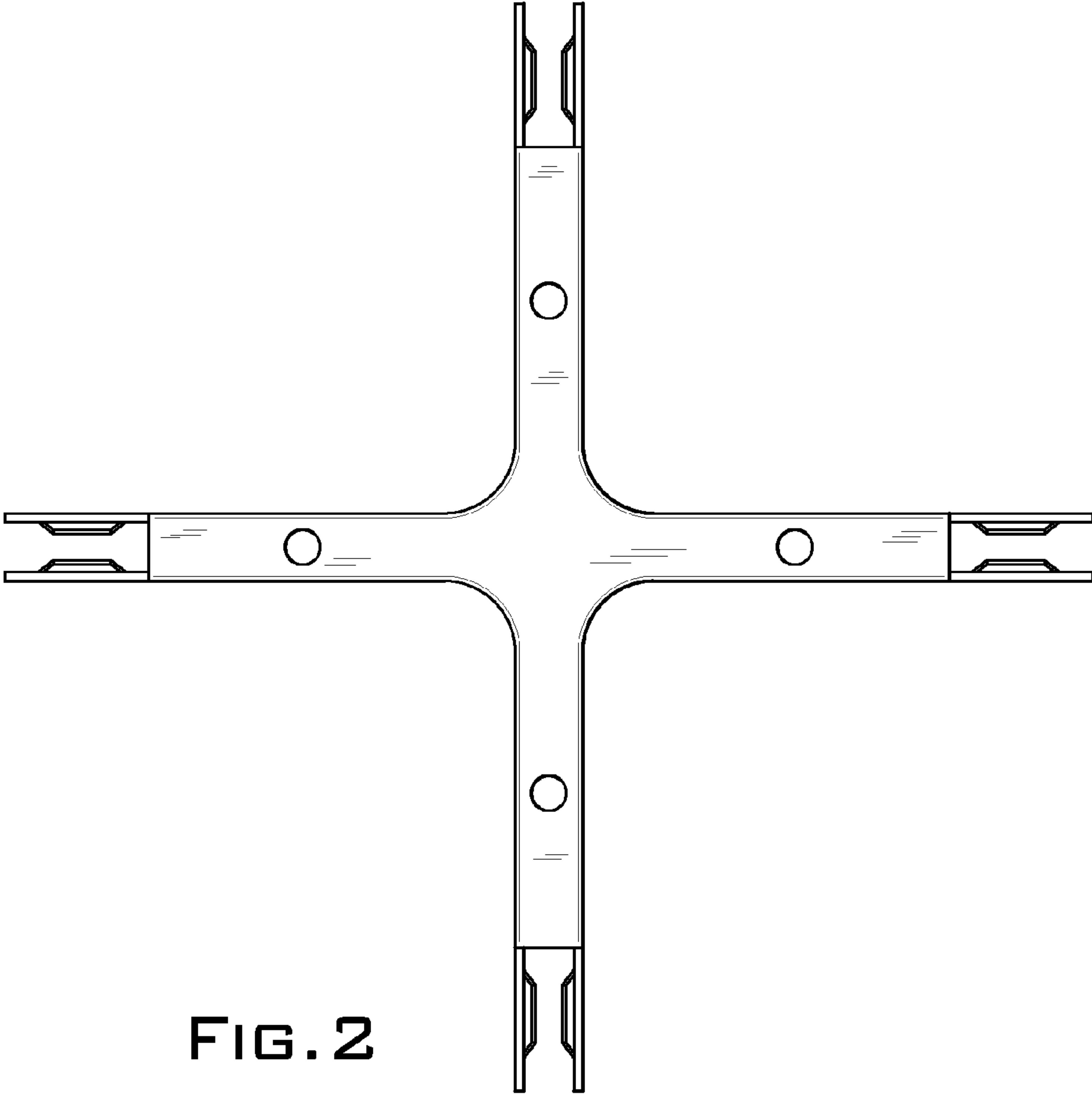
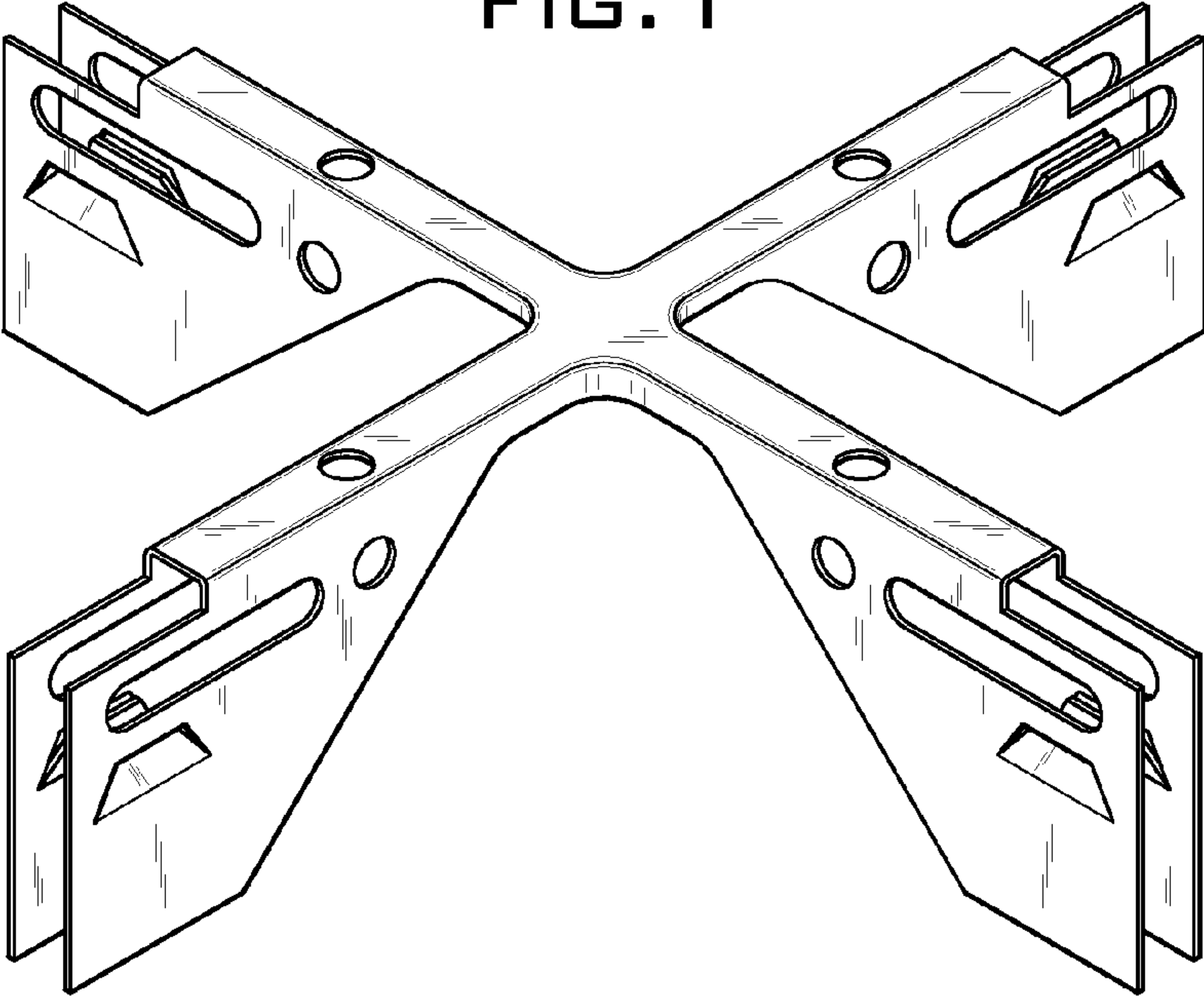


FIG. 2

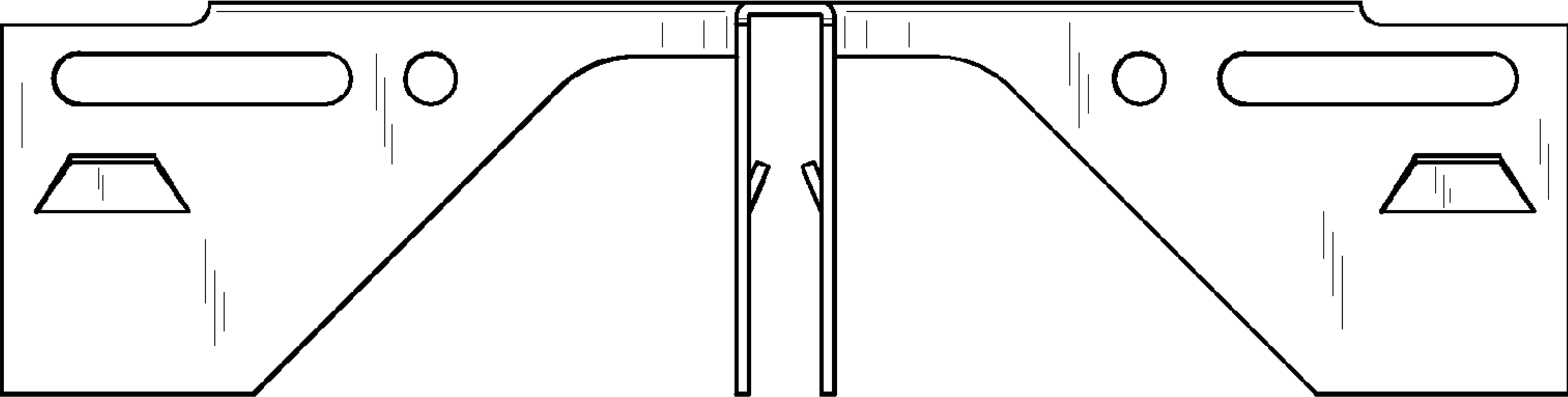


FIG. 3

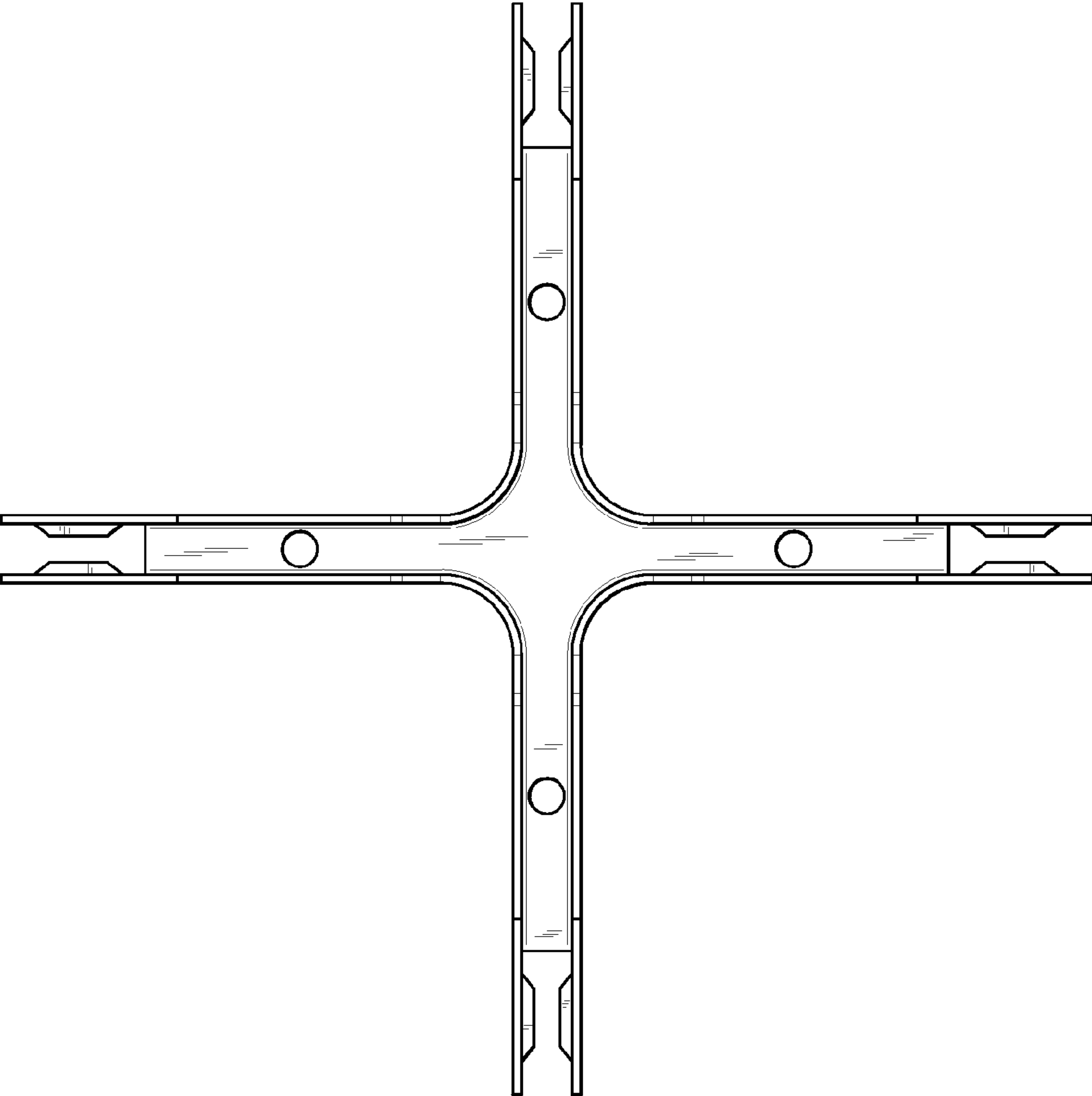


FIG. 4