



US00D638288S

(12) **United States Design Patent**  
**Tedesco et al.**

(10) **Patent No.:** **US D638,288 S**

(45) **Date of Patent:** **\*\* May 24, 2011**

(54) **SEISMIC EXPANSION JOINT CLIP FOR SUSPENDED CEILING**

(75) Inventors: **Lee Matthew Tedesco**, Shorewood, IL (US); **James Joseph Lehane**, McHenry, IL (US); **Abraham Monroe Underkoffler**, Waukegan, IL (US); **Peder John Gulbrandsen**, Aurora, IL (US); **Mark Robert Paulsen**, Waukegan, IL (US)

(73) Assignee: **USG Interiors, Inc.**, Chicago, IL (US)

(\*\*) Term: **14 Years**

(21) Appl. No.: **29/380,150**

(22) Filed: **Dec. 1, 2010**

(51) **LOC (9) Cl.** ..... **08-08**

(52) **U.S. Cl.** ..... **D8/394; D8/380**

(58) **Field of Classification Search** ..... D8/356, D8/371, 394-396, 380, 354; 24/570; 248/74.2, 248/215, 227.1, 49, 300, 301, 316.7, 51, 248/489; D19/65, 56; 52/484, 489, 506.06, 52/506.07, 733.1

See application file for complete search history.

(56) **References Cited**

**U.S. PATENT DOCUMENTS**

3,590,544 A \* 7/1971 Shepherd ..... 52/506.06

4,570,391	A *	2/1986	Quante et al.	.....	52/39
5,349,800	A *	9/1994	Peng	.....	52/506.06
5,499,883	A *	3/1996	Heinzel	.....	403/219
D371,506	S *	7/1996	Nofziger	.....	D8/354
6,315,489	B1 *	11/2001	Watanabe	.....	403/381
7,614,195	B2 *	11/2009	Platt et al.	.....	52/506.06
D611,332	S *	3/2010	Tedesco et al.	.....	D8/380
7,770,349	B2 *	8/2010	Tedesco et al.	.....	52/506.08
2001/0045075	A1 *	11/2001	Watanabe	.....	52/712
2007/0180787	A1 *	8/2007	Fecska	.....	52/506.06
2008/0060306	A1 *	3/2008	Platt et al.	.....	52/506.06
2010/0005747	A1 *	1/2010	Tedesco et al.	.....	52/506.08

\* cited by examiner

*Primary Examiner* — T. Chase Nelson

*Assistant Examiner* — John Windmuller

(74) *Attorney, Agent, or Firm* — Pradip K. Sahu; David F. Janci; Philip T. Petti

(57) **CLAIM**

The ornamental design for a seismic expansion joint clip for suspended ceilings, as shown and described.

**DESCRIPTION**

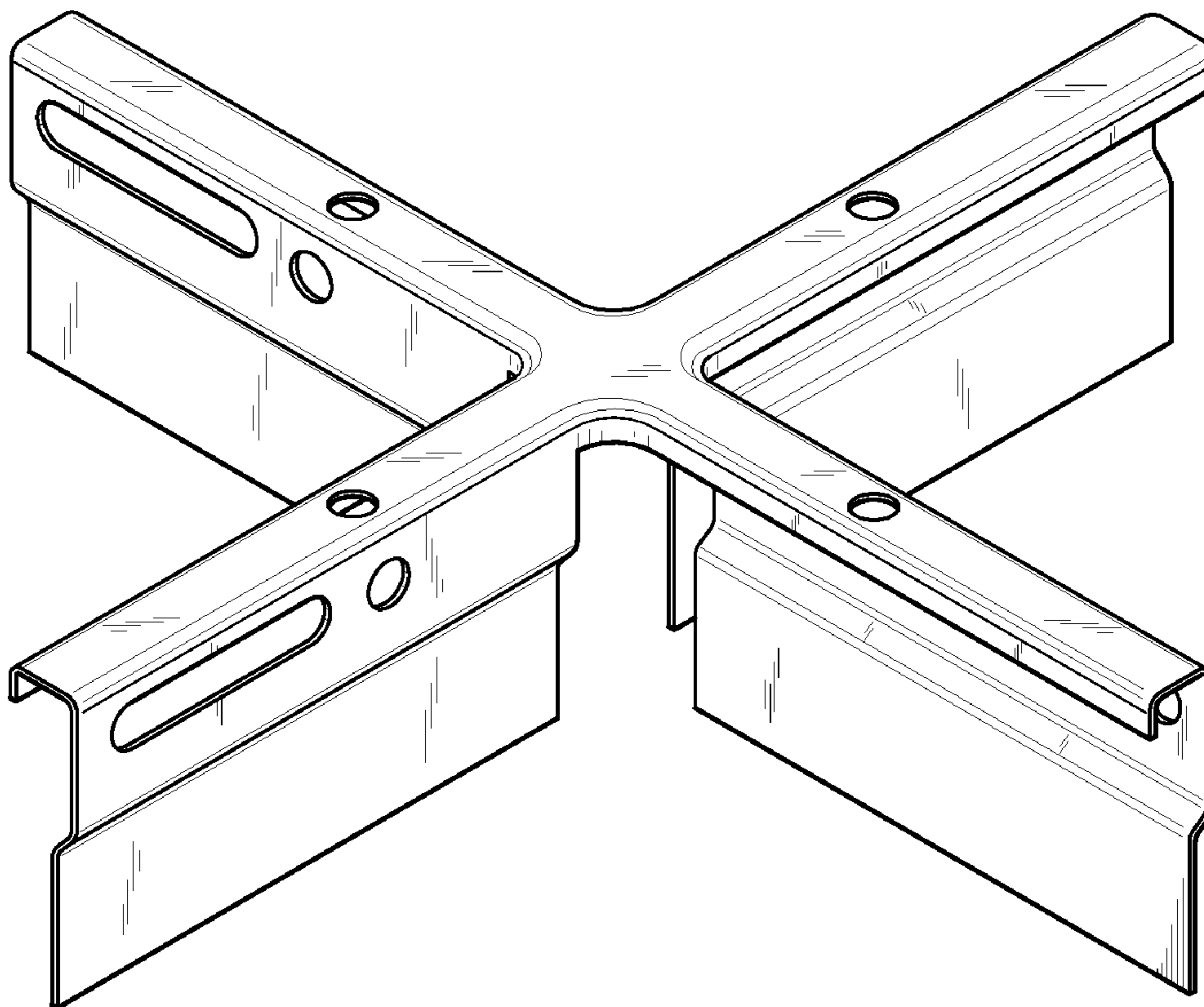
FIG. 1 is a top perspective view of the present seismic expansion joint clip for suspended ceilings;

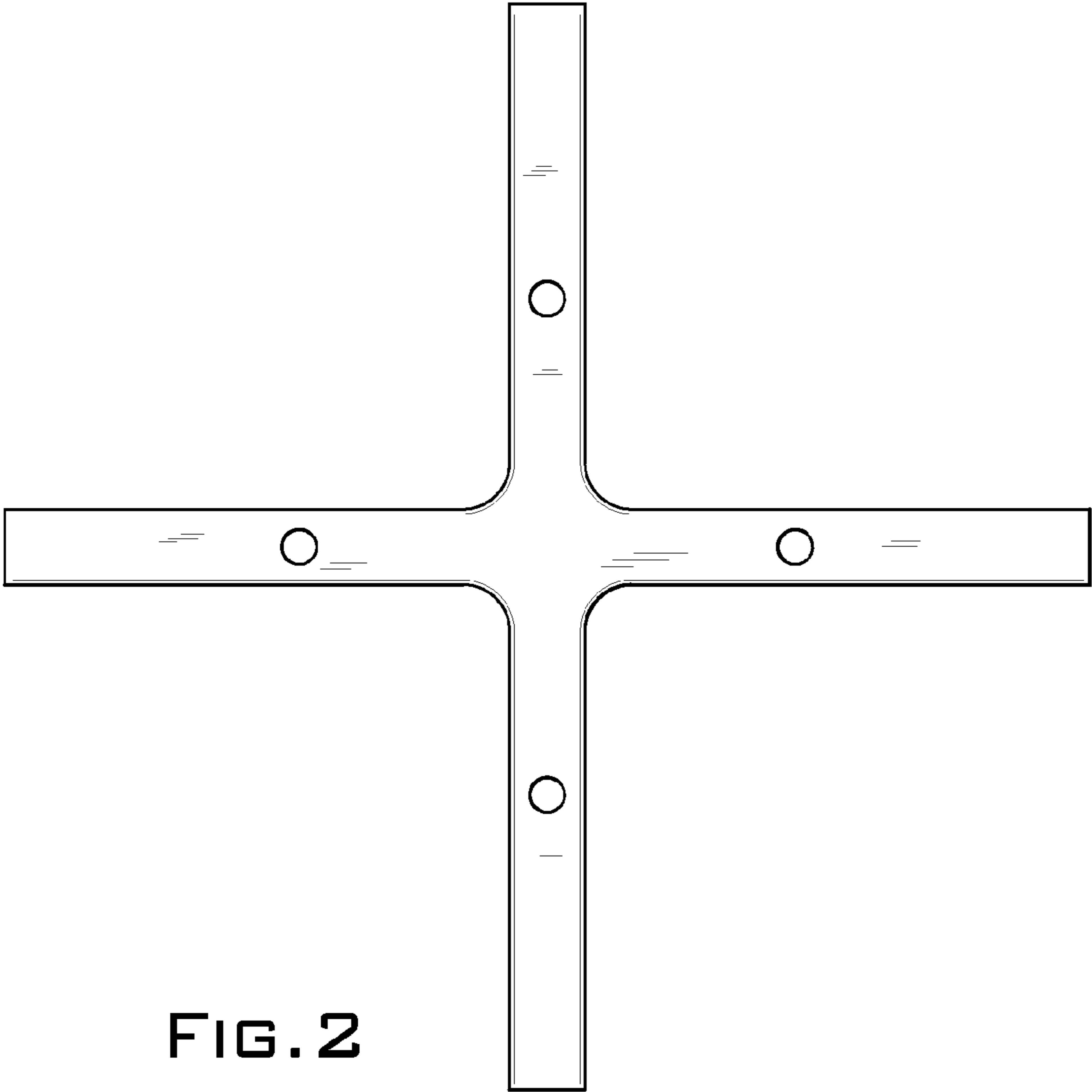
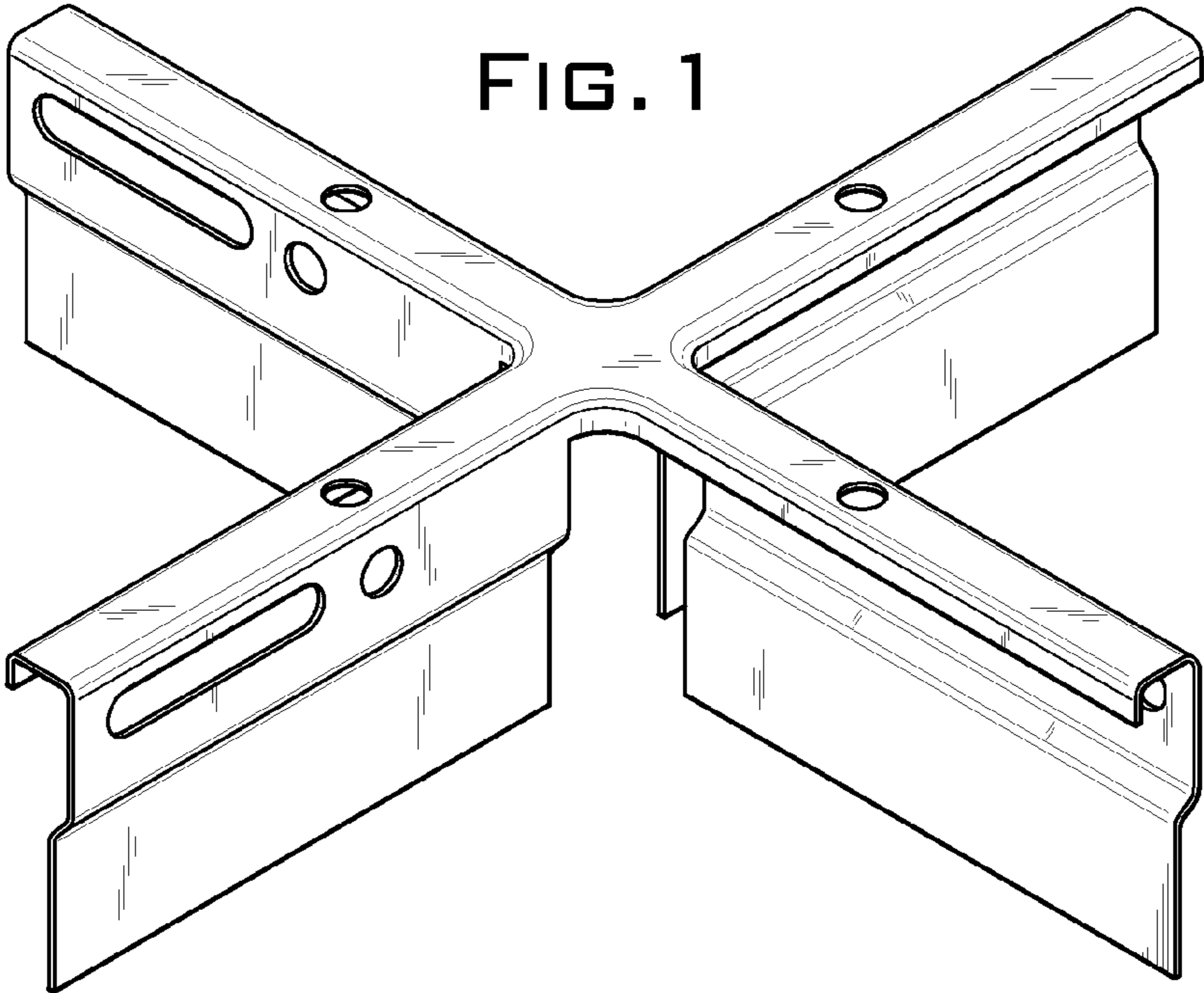
FIG. 2 is a top view of same;

FIG. 3 is a side view of same; and,

FIG. 4 is a bottom view of same.

**1 Claim, 2 Drawing Sheets**





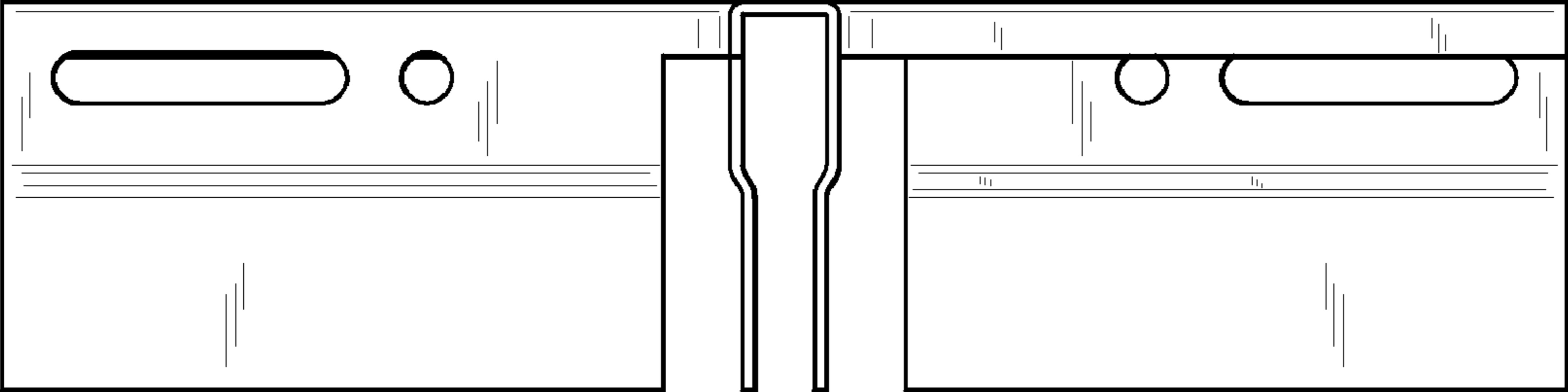


FIG. 3

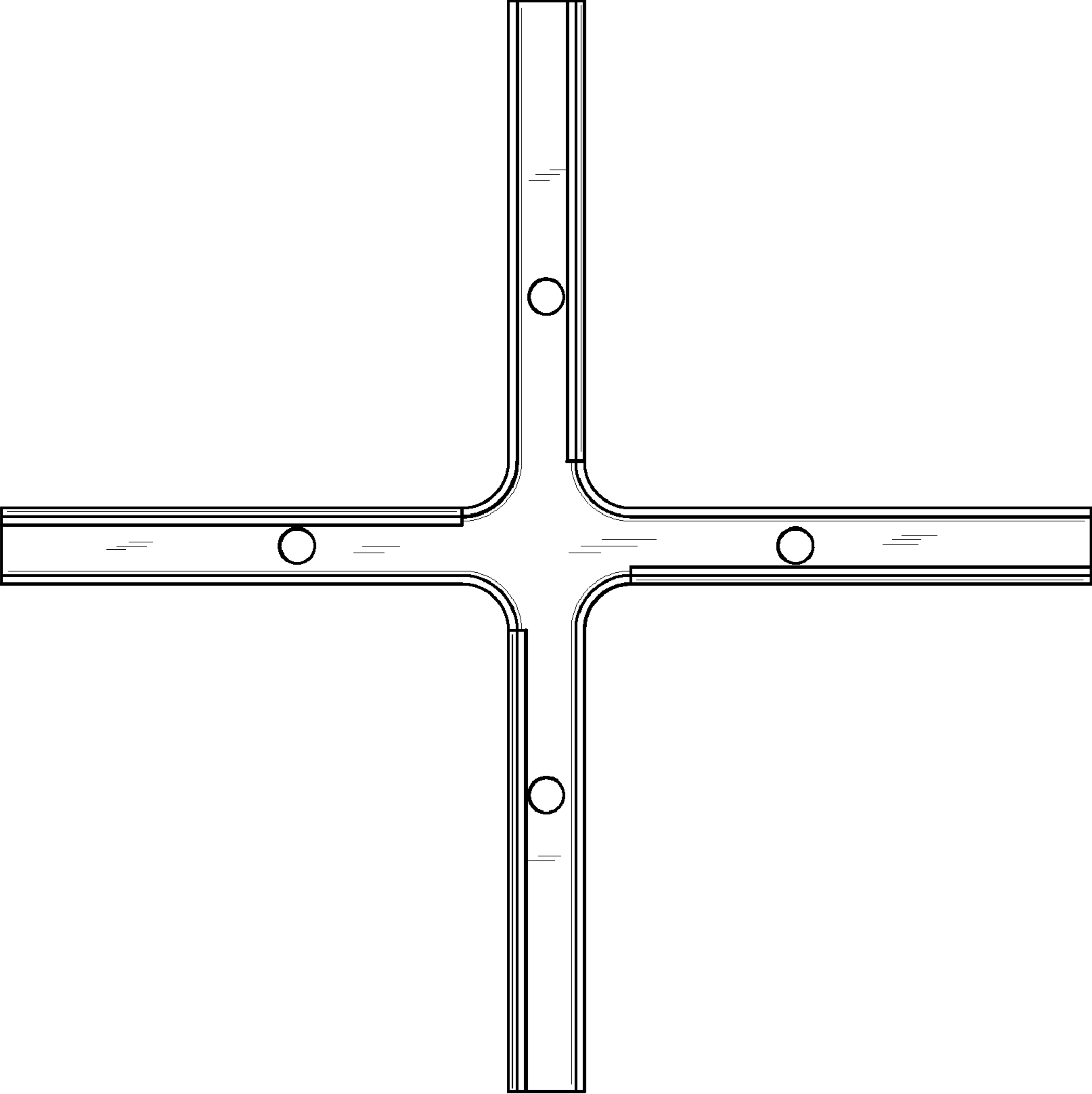


FIG. 4