



US00D638287S

(12) **United States Design Patent**  
**Tedesco et al.**

(10) **Patent No.:** **US D638,287 S**

(45) **Date of Patent:** **\*\* May 24, 2011**

(54) **SEISMIC ATTACHMENT CLIP FOR  
SUSPENDED CEILINGS**

(75) Inventors: **Lee Matthew Tedesco**, Shorewood, IL (US); **James Joseph Lehane**, McHenry, IL (US); **Abraham Monroe Underkoffler**, Waukegan, IL (US); **Peder John Gulbrandsen**, Aurora, IL (US); **Mark Robert Paulsen**, Waukegan, IL (US)

(73) Assignee: **USG Interiors, Inc.**, Chicago, IL (US)

(\*\*) Term: **14 Years**

(21) Appl. No.: **29/380,148**

(22) Filed: **Dec. 1, 2010**

(51) **LOC (9) Cl.** ..... **08-08**

(52) **U.S. Cl.** ..... **D8/394; D8/380**

(58) **Field of Classification Search** ..... D8/356,  
D8/371, 394-396, 380, 354; 24/570; 248/74.2,  
248/215, 227.1, 49, 300, 301, 316.7, 51,  
248/489; D19/65, 56; 52/484, 489, 506.06,  
52/506.07, 733.1

See application file for complete search history.

(56) **References Cited**

**U.S. PATENT DOCUMENTS**

D248,013	S *	5/1978	Win	.....	D8/373
4,447,030	A *	5/1984	Nattel	.....	248/27.1
5,572,844	A *	11/1996	Stackenwalt et al.	.....	52/506.07
5,697,725	A *	12/1997	Ballash et al.	.....	403/231
5,810,303	A *	9/1998	Bourassa et al.	.....	248/205.1
5,941,029	A *	8/1999	MacLeod	.....	52/167.1
D431,770	S *	10/2000	Willet	.....	D8/354
6,125,594	A *	10/2000	Hudson	.....	52/92.2
6,315,489	B1 *	11/2001	Watanabe	.....	403/381
6,508,447	B1 *	1/2003	Catani et al.	.....	248/300
6,513,776	B1 *	2/2003	Bissett	.....	248/309.1
7,293,393	B2 *	11/2007	Kelly et al.	.....	52/665
7,398,949	B2 *	7/2008	Weech et al.	.....	248/220.21

7,552,567	B2 *	6/2009	Ingratta et al.	.....	52/506.07
D612,224	S *	3/2010	Wendt	.....	D8/354
7,788,872	B2 *	9/2010	Platt	.....	52/665
2001/0045075	A1 *	11/2001	Watanabe	.....	52/712
2009/0223146	A1 *	9/2009	Platt	.....	52/167.8

**OTHER PUBLICATIONS**

USG Interiors Inc, Ceiling Systems Marketing Catalog, Publication No. SC2392, Aug. 2002, p. 229.\*

\* cited by examiner

*Primary Examiner* — T. Chase Nelson

*Assistant Examiner* — John Windmuller

(74) *Attorney, Agent, or Firm* — Pradip K. Sabu; David F. Janci; Philip T. Petti

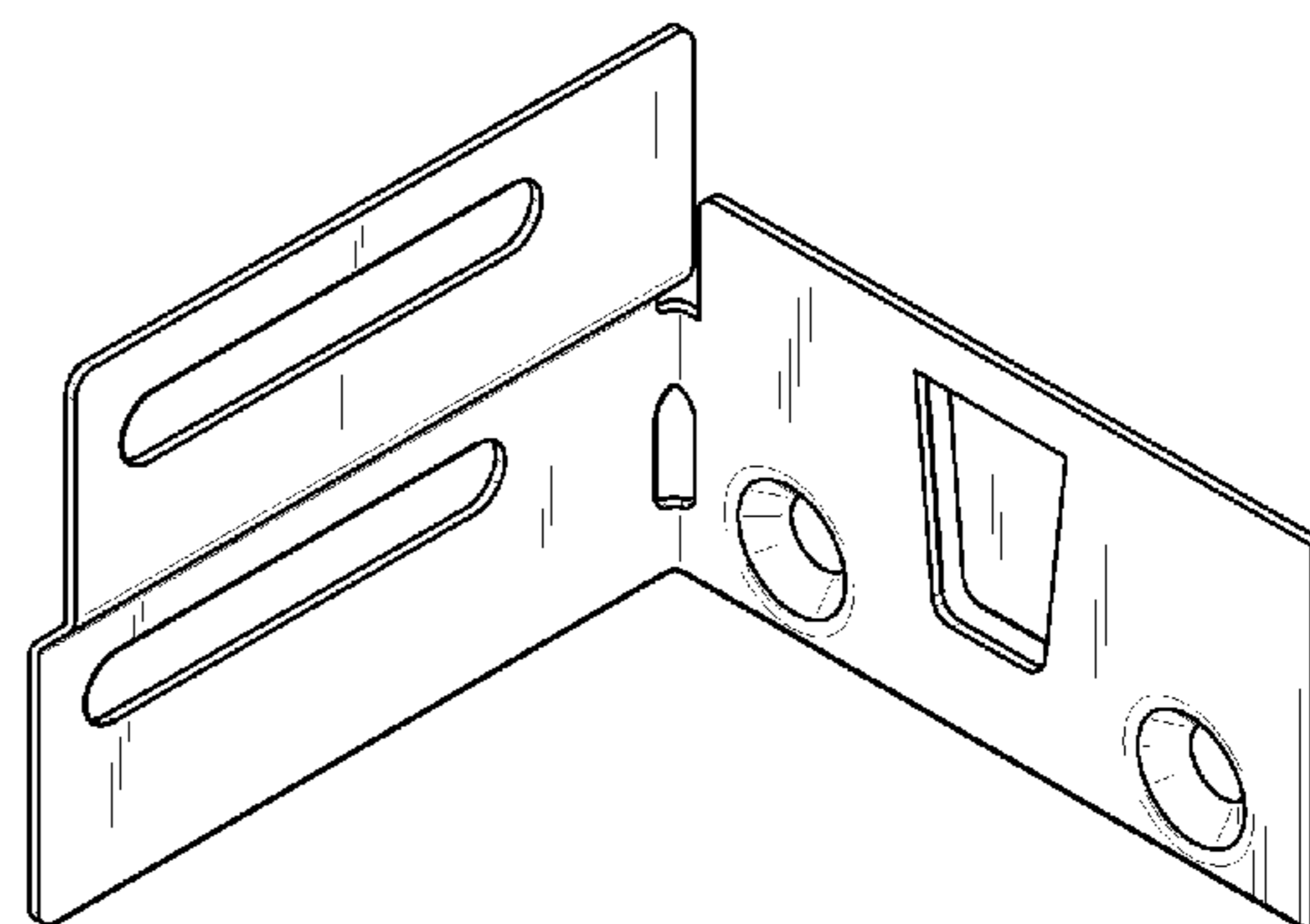
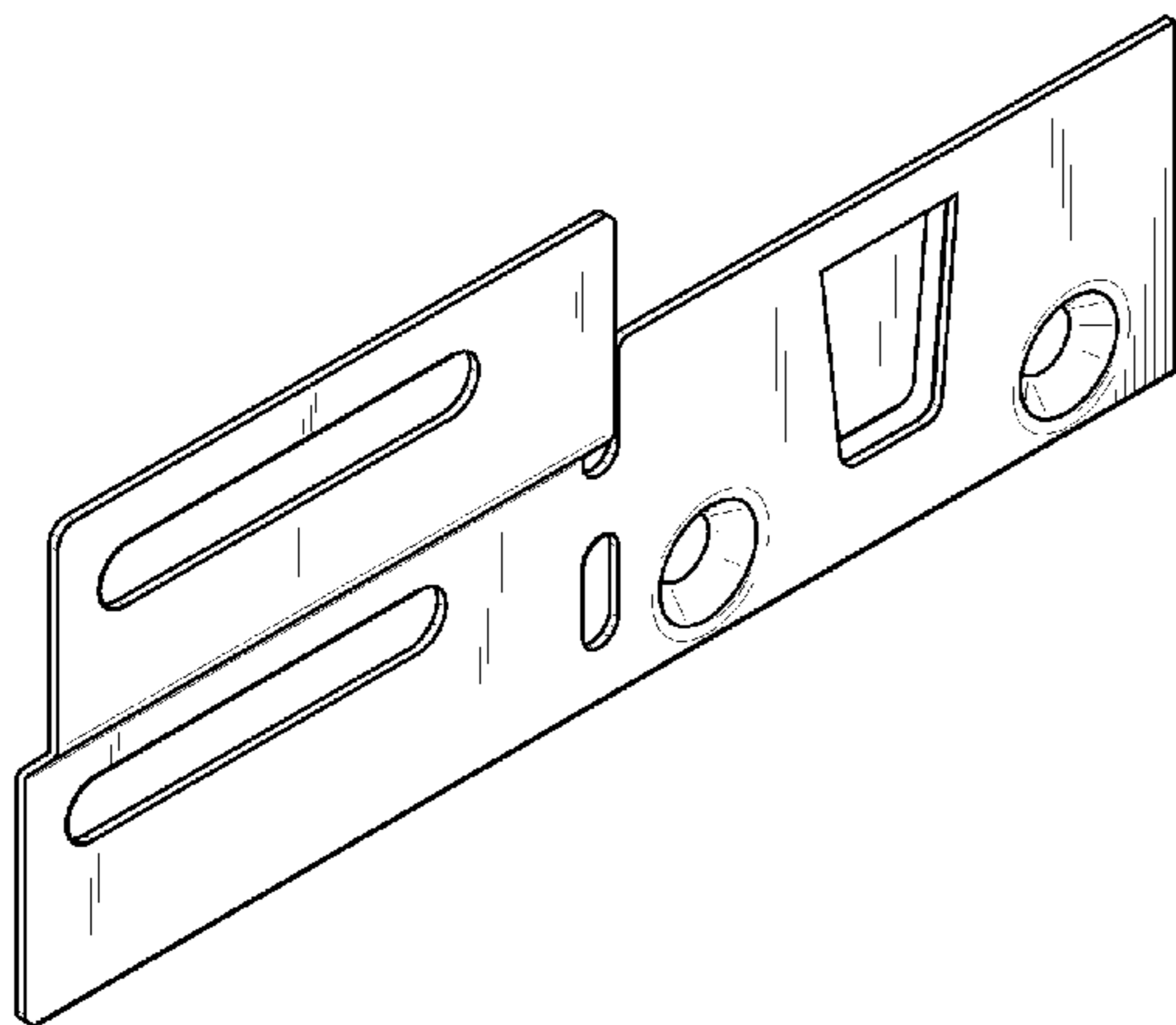
(57) **CLAIM**

The ornamental design for a seismic attachment clip for suspended ceilings, as shown and described.

**DESCRIPTION**

FIG. 1 is a top perspective view of the present clip while in an un-installed, un-bent configuration;  
 FIG. 2 is a top view of same;  
 FIG. 3 is a right side view of same;  
 FIG. 4 is a back view of same.  
 FIG. 5 is a left side view of same;  
 FIG. 6 is a front view of same;  
 FIG. 7 is a bottom view of same;  
 FIG. 8 is a top perspective view of the present clip while in an installed configuration in which the clip is bent at a ninety degree angle;  
 FIG. 9 is a top view of same;  
 FIG. 10 is a right side view of same;  
 FIG. 11 is a back view of same.  
 FIG. 12 is a left side view of same;  
 FIG. 13 is a front view of same; and,  
 FIG. 14 is a bottom view of same.

**1 Claim, 3 Drawing Sheets**



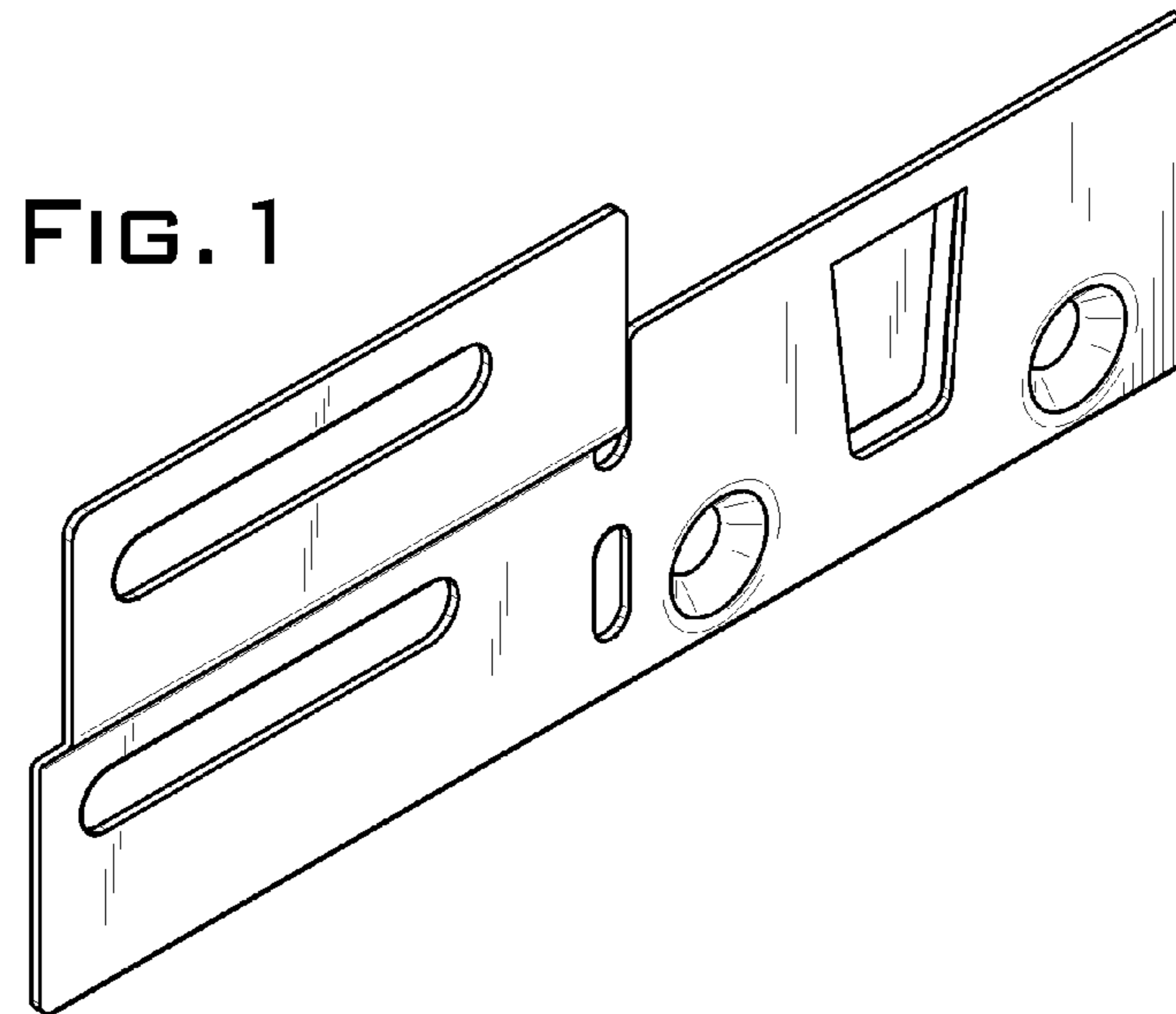


FIG. 1



FIG. 2

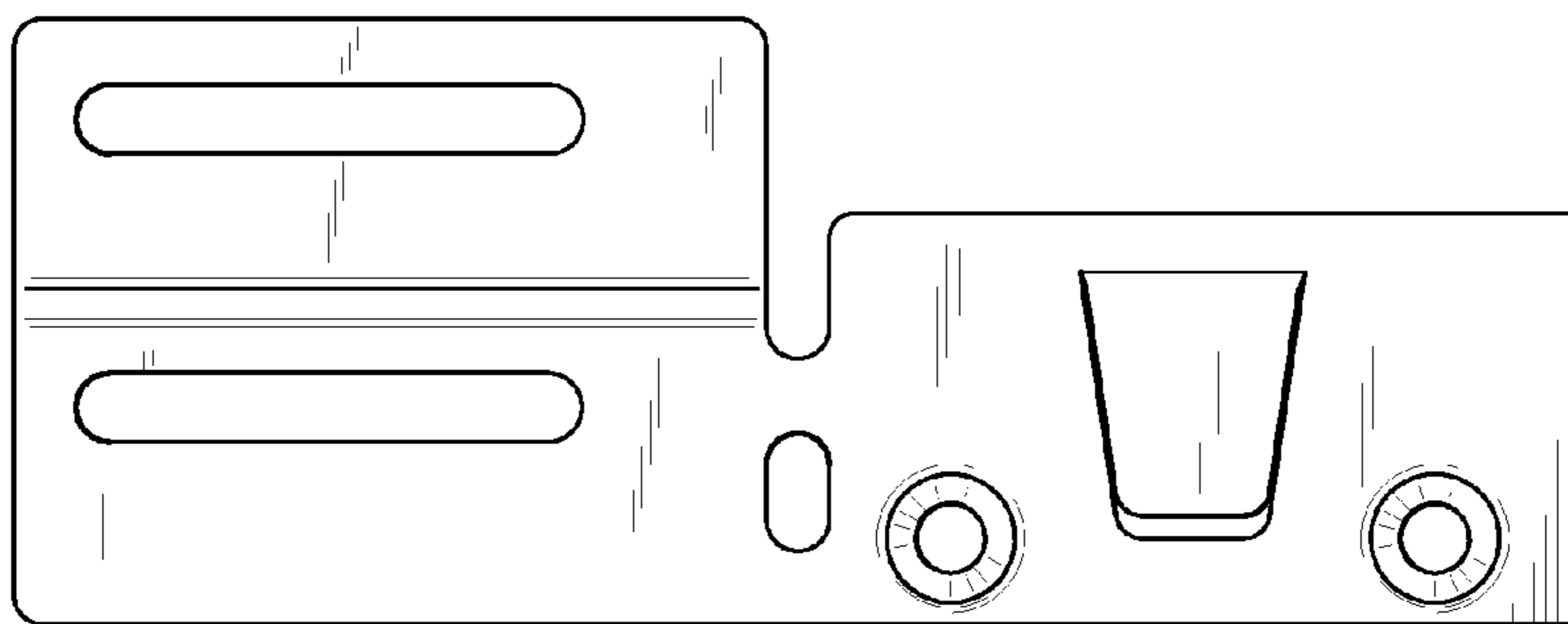


FIG. 3



FIG. 4

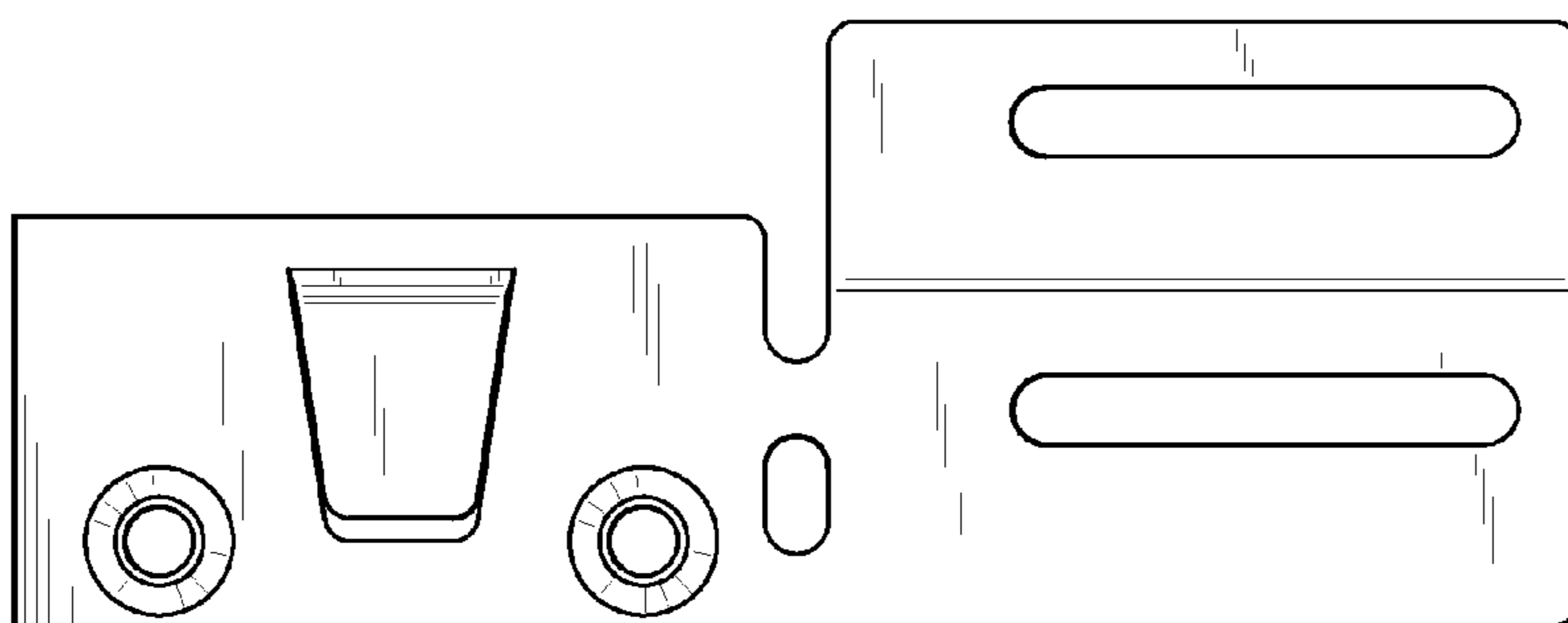


FIG. 5



FIG. 6



FIG. 7

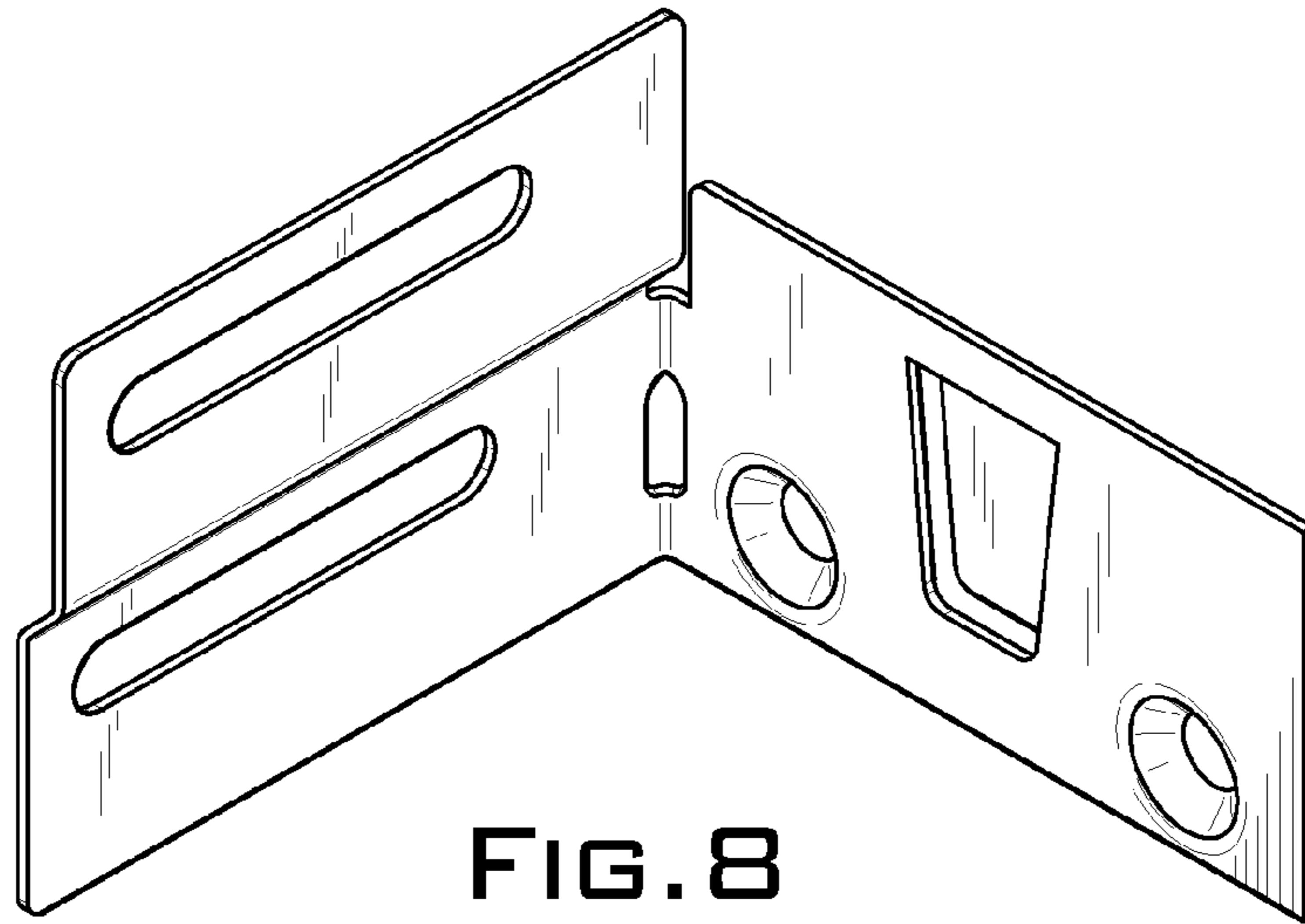


FIG. 8

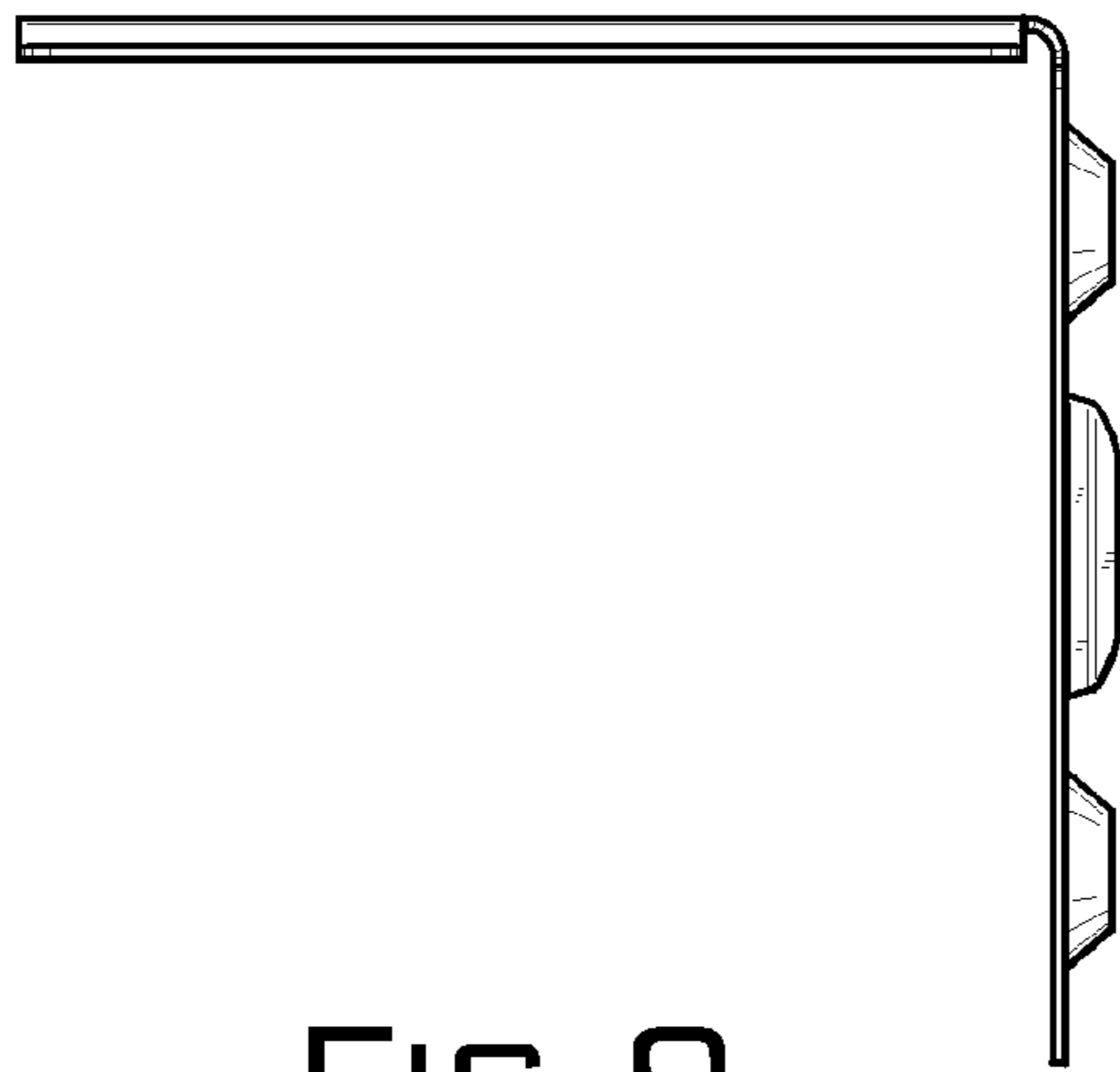


FIG. 9

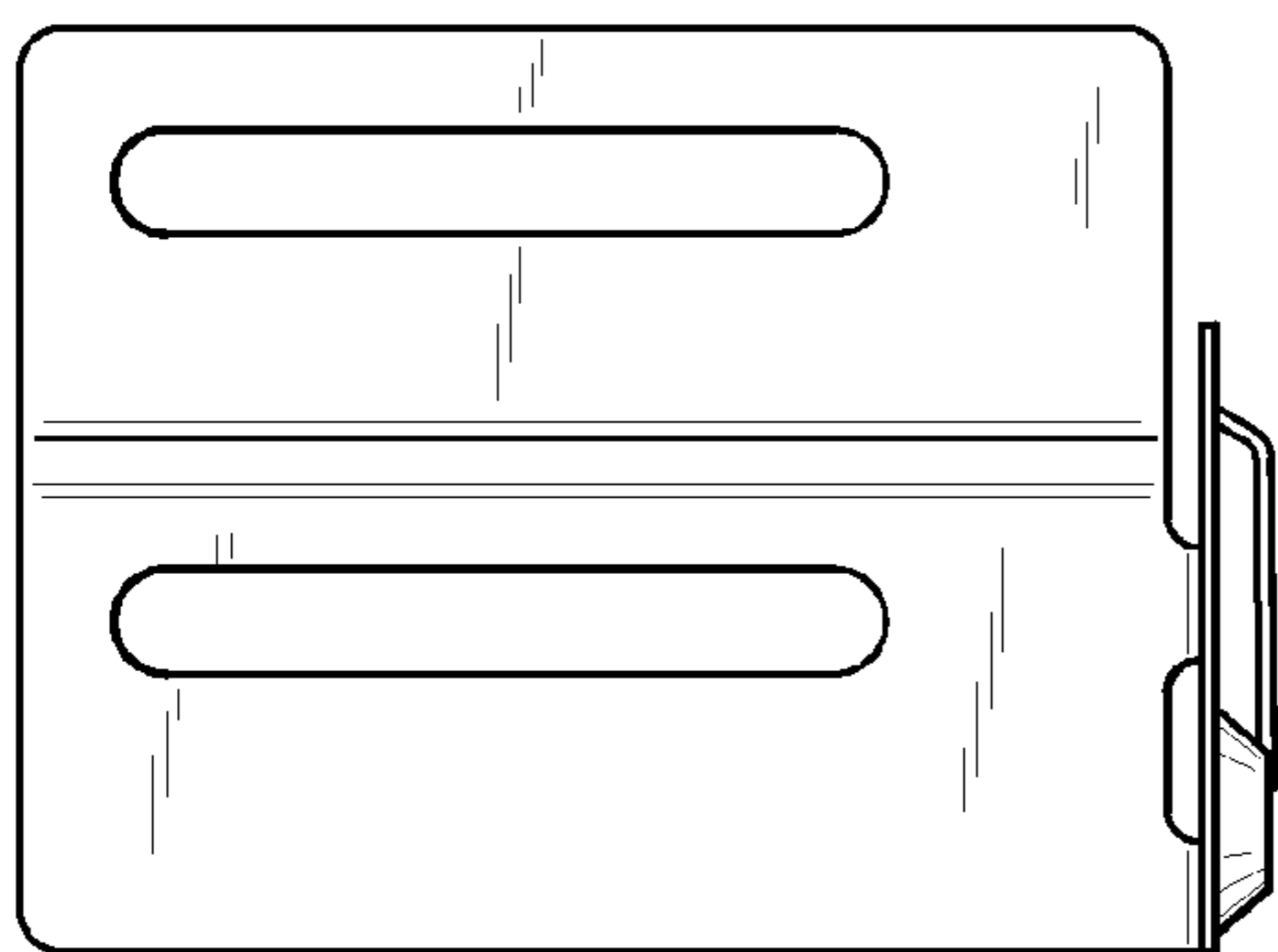


FIG. 10

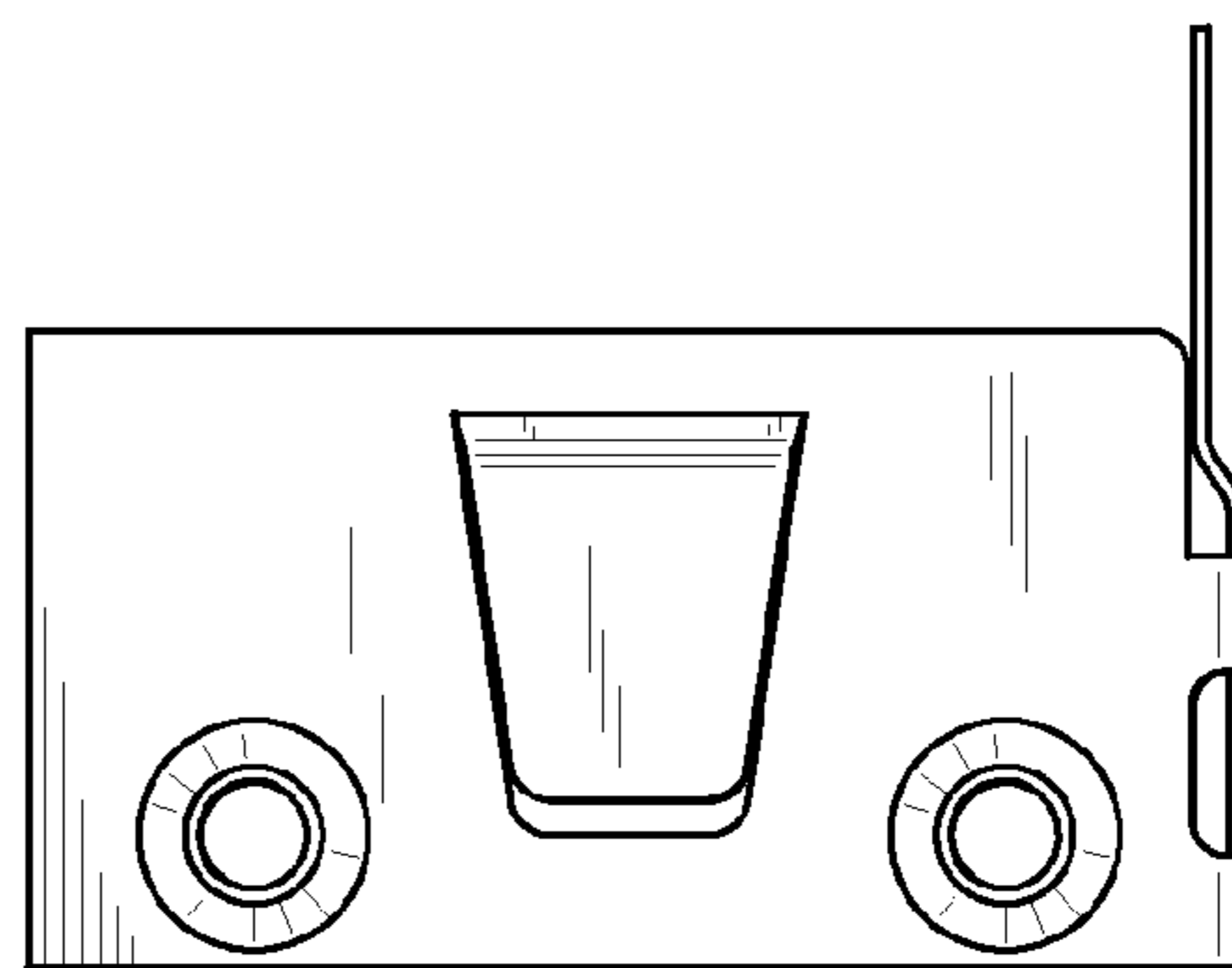


FIG. 11

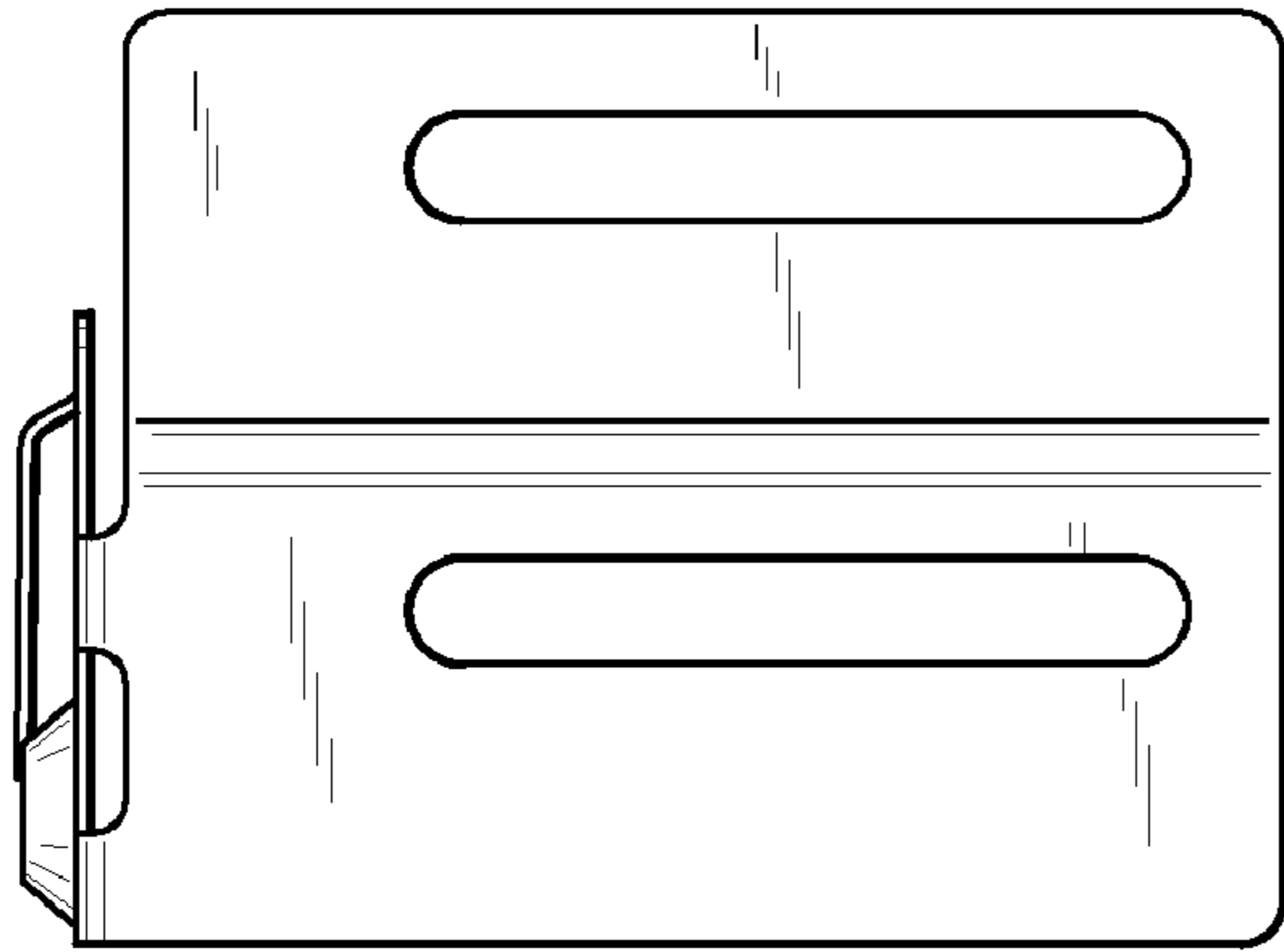


FIG. 1 2

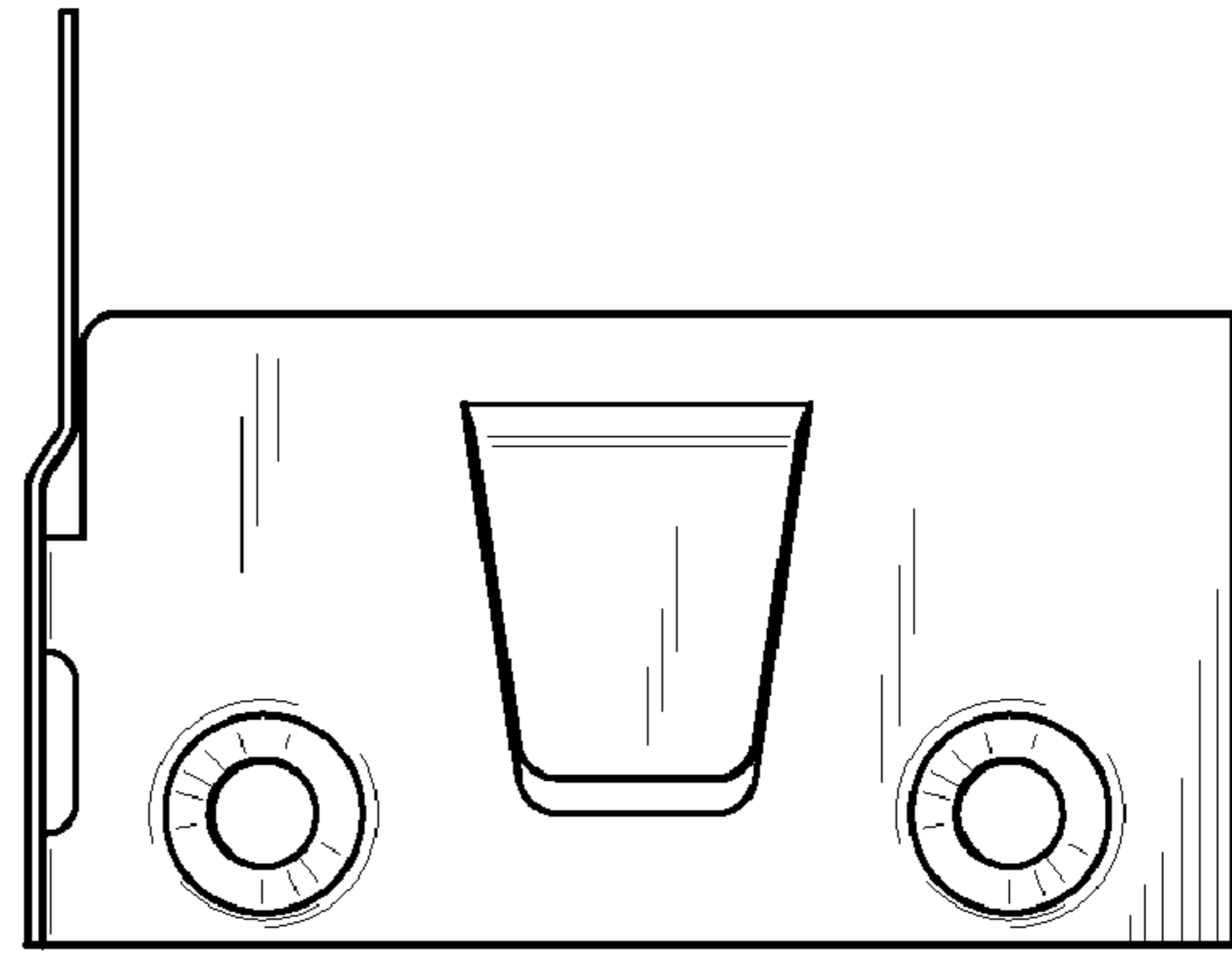


FIG. 1 3

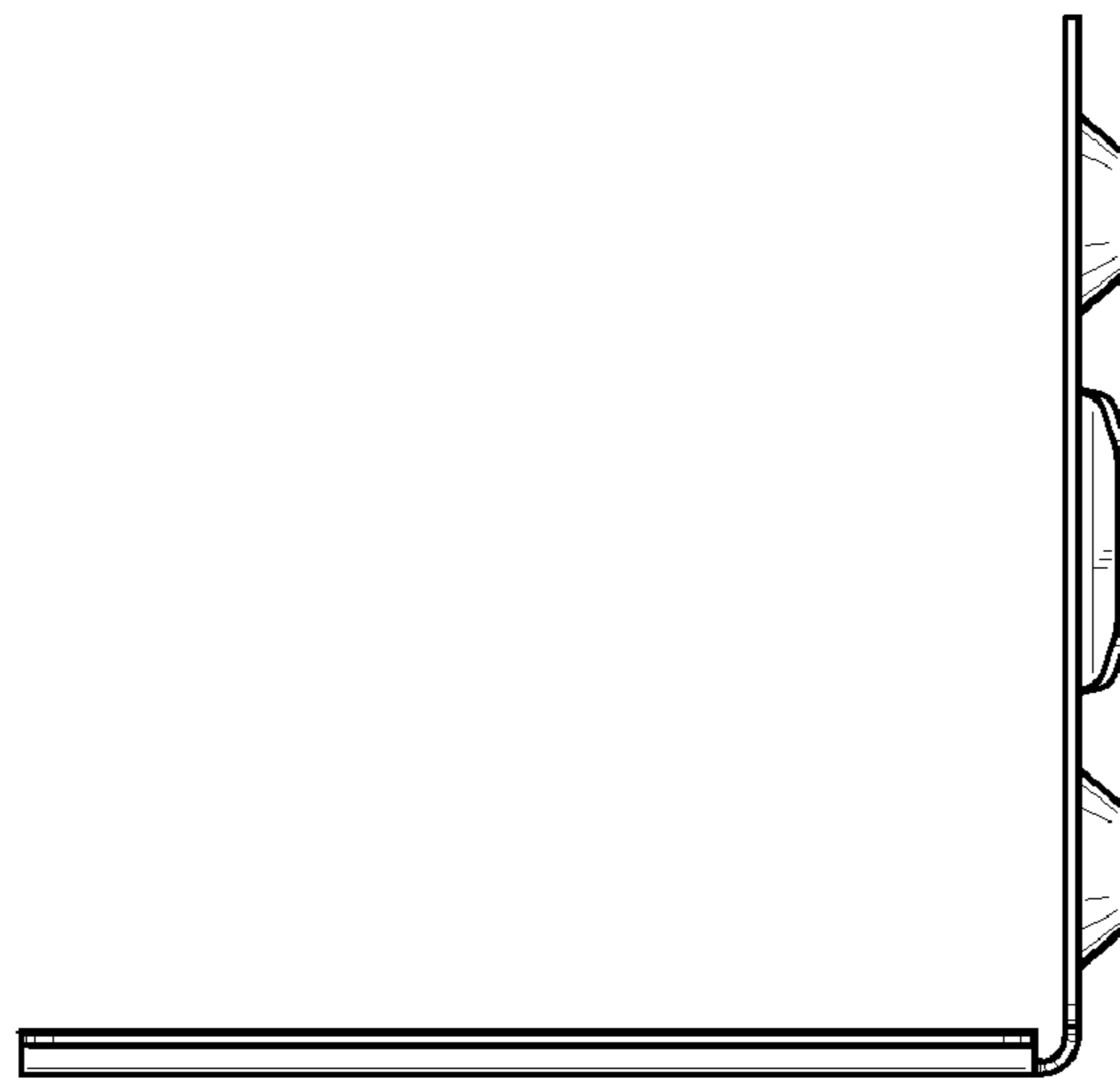


FIG. 1 4