



US00D638286S

(12) **United States Design Patent**
Tedesco et al.

(10) **Patent No.:** **US D638,286 S**

(45) **Date of Patent:** **** May 24, 2011**

(54) **SEISMIC ATTACHMENT CLIP FOR
SUSPENDED CEILING**

D612,224 S * 3/2010 Wendt D8/354
7,788,872 B2 * 9/2010 Platt 52/665
2009/0223146 A1 * 9/2009 Platt 52/167.8

(75) Inventors: **Lee Matthew Tedesco**, Shorewood, IL
(US); **James Joseph Lehane**, McHenry,
IL (US); **Abraham Monroe**
Underkofler, Waukegan, IL (US); **Peder**
John Gulbrandsen, Aurora, IL (US);
Mark Robert Paulsen, Waukegan, IL
(US)

OTHER PUBLICATIONS

USG Interiors Inc, Ceiling Systems Marketing Catalog, Publication
No. SC2392, Aug. 2002, p. 229.*

* cited by examiner

Primary Examiner — T. Chase Nelson

Assistant Examiner — John Windmuller

(73) Assignee: **USG Interiors, Inc.**, Chicago, IL (US)

(74) *Attorney, Agent, or Firm* — Pradip K. Sabu; David F.
Janci; Philip T. Petti

(**) Term: **14 Years**

(21) Appl. No.: **29/380,147**

(57) **CLAIM**

The ornamental design for a seismic attachment clip for sus-
pended ceilings, as shown and described.

(22) Filed: **Dec. 1, 2010**

(51) **LOC (9) Cl.** **08-08**

(52) **U.S. Cl.** **D8/394; D8/380**

(58) **Field of Classification Search** D8/356,
D8/371, 394-396, 380, 354; 24/570; 248/74.2,
248/215, 227.1, 49, 300, 301, 316.7, 51,
248/489; D19/65, 56; 52/484, 489, 506.06,
52/506.07, 733.1

DESCRIPTION

See application file for complete search history.

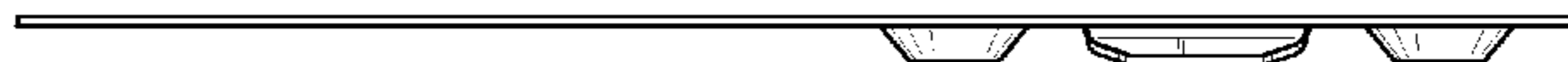
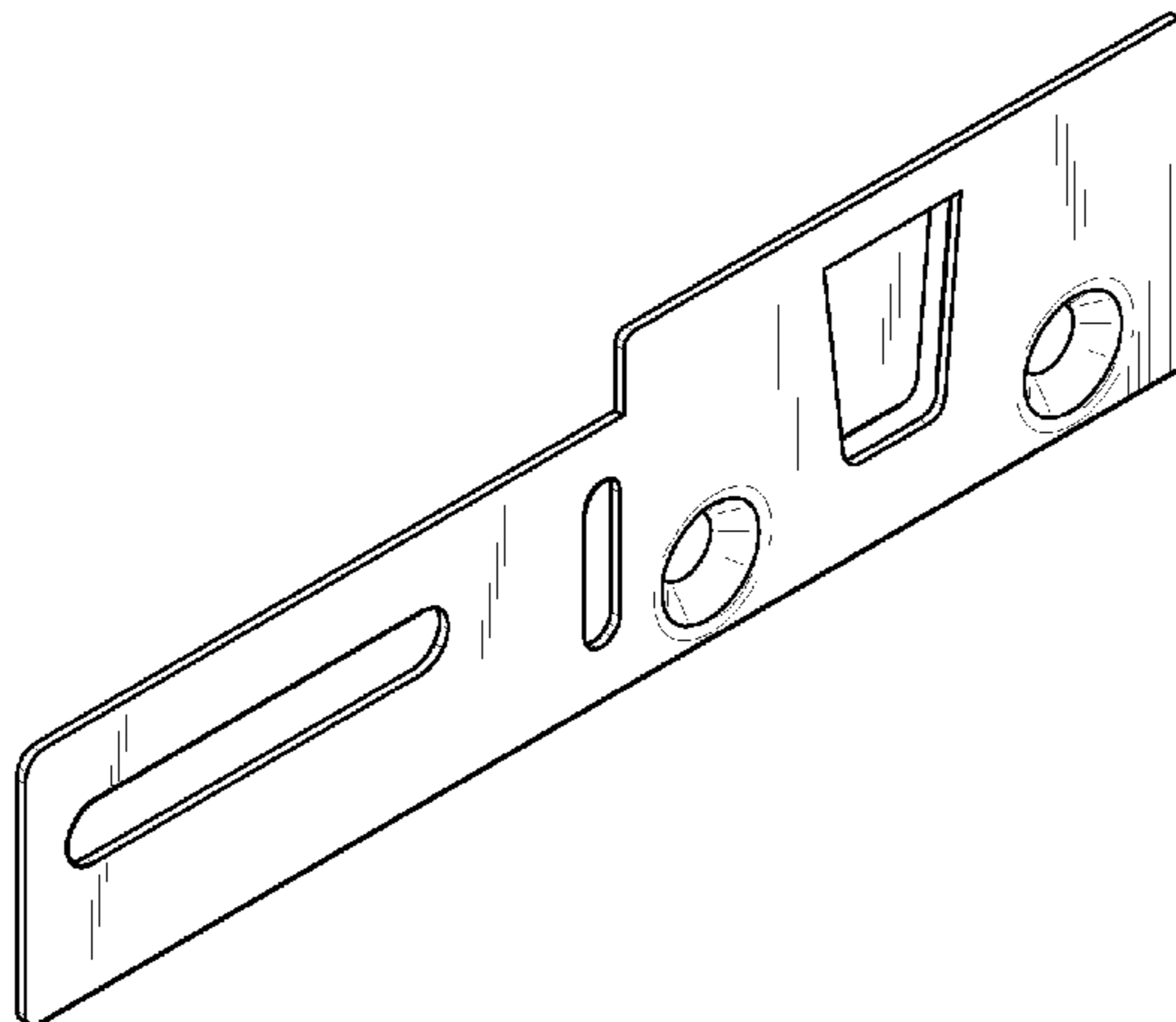
FIG. 1 is a top perspective view of the present clip while in an
un-installed, un-bent configuration;
FIG. 2 is a top view of same;
FIG. 3 is a right side view of same;
FIG. 4 is a back view of same.
FIG. 5 is a left side view of same;
FIG. 6 is a front view of same;
FIG. 7 is a bottom view of same;
FIG. 8 is a top perspective view of the present clip while in an
installed configuration in which the clip is bent at a ninety
degree angle;
FIG. 9 is a top view of same;
FIG. 10 is a right side view of same;
FIG. 11 is a back view of same.
FIG. 12 is a left side view of same;
FIG. 13 is a front view of same; and,
FIG. 14 is a bottom view of same.

(56) **References Cited**

U.S. PATENT DOCUMENTS

D248,013 S * 5/1978 Win D8/373
4,447,030 A * 5/1984 Nattel 248/27.1
5,572,844 A * 11/1996 Stackenwalt et al. 52/506.07
5,697,725 A * 12/1997 Ballash et al. 403/231
5,810,303 A * 9/1998 Bourassa et al. 248/205.1
5,941,029 A * 8/1999 MacLeod 52/167.1
D431,770 S * 10/2000 Willet D8/354
6,125,594 A * 10/2000 Hudson 52/92.2
6,508,447 B1 * 1/2003 Catani et al. 248/300
6,513,776 B1 * 2/2003 Bissett 248/309.1
7,293,393 B2 * 11/2007 Kelly et al. 52/665
7,552,567 B2 * 6/2009 Ingratta et al. 52/506.07

1 Claim, 2 Drawing Sheets



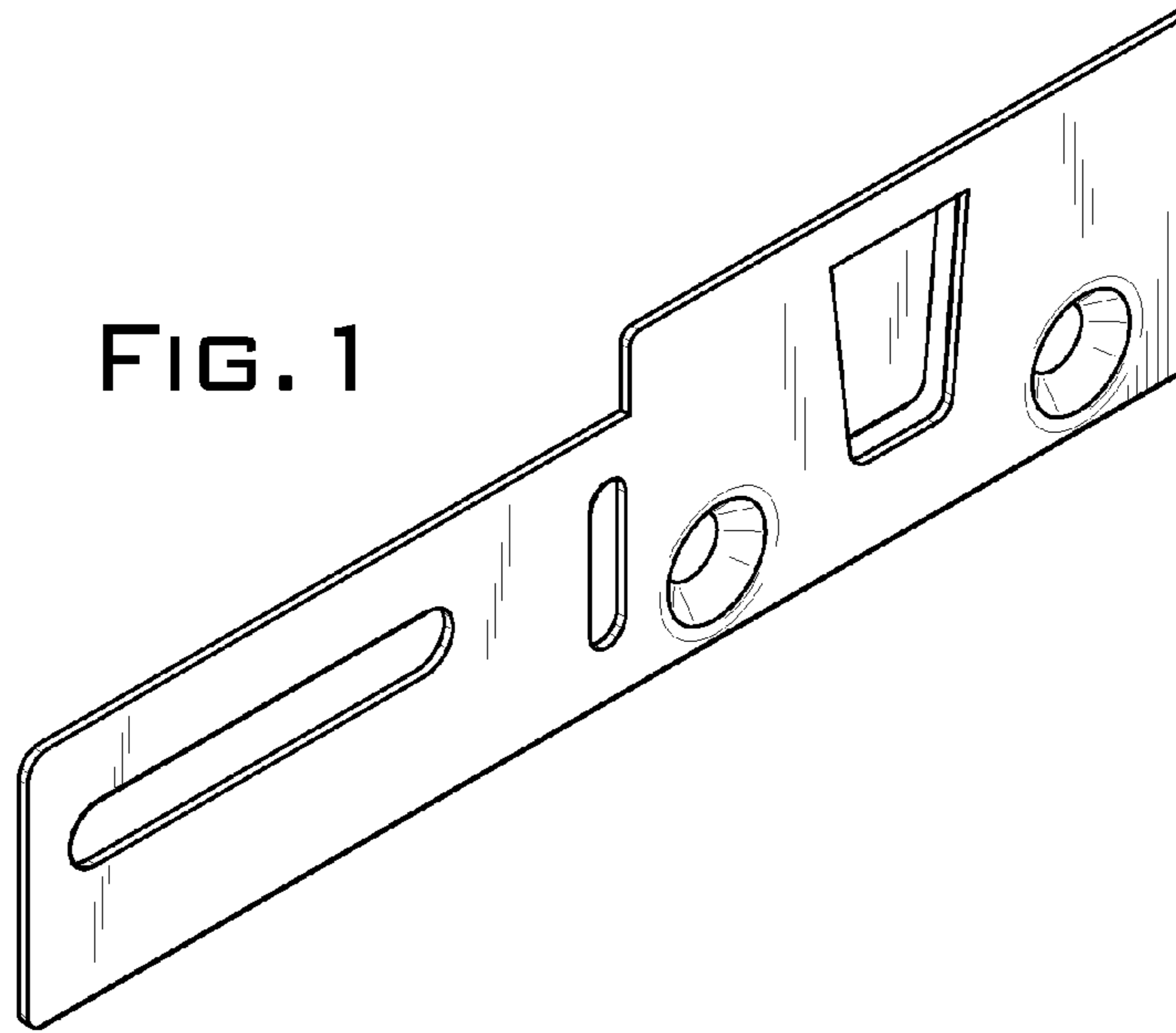


FIG. 1



FIG. 2

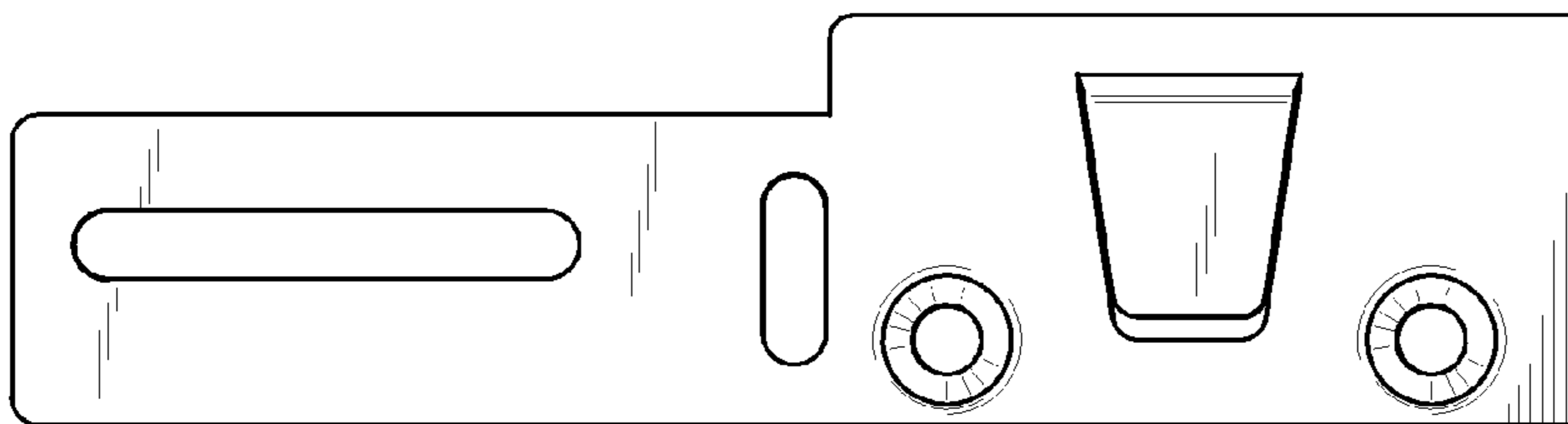


FIG. 3



FIG. 4

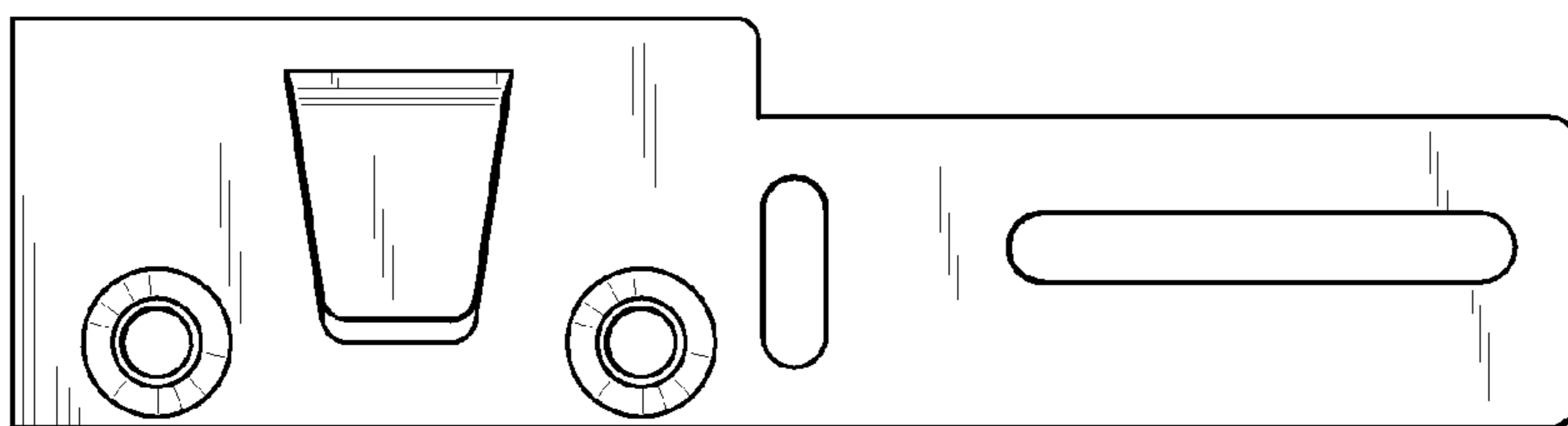


FIG. 5



FIG. 6

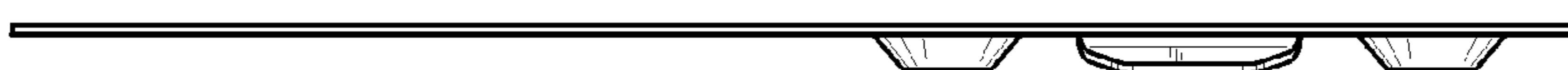


FIG. 7

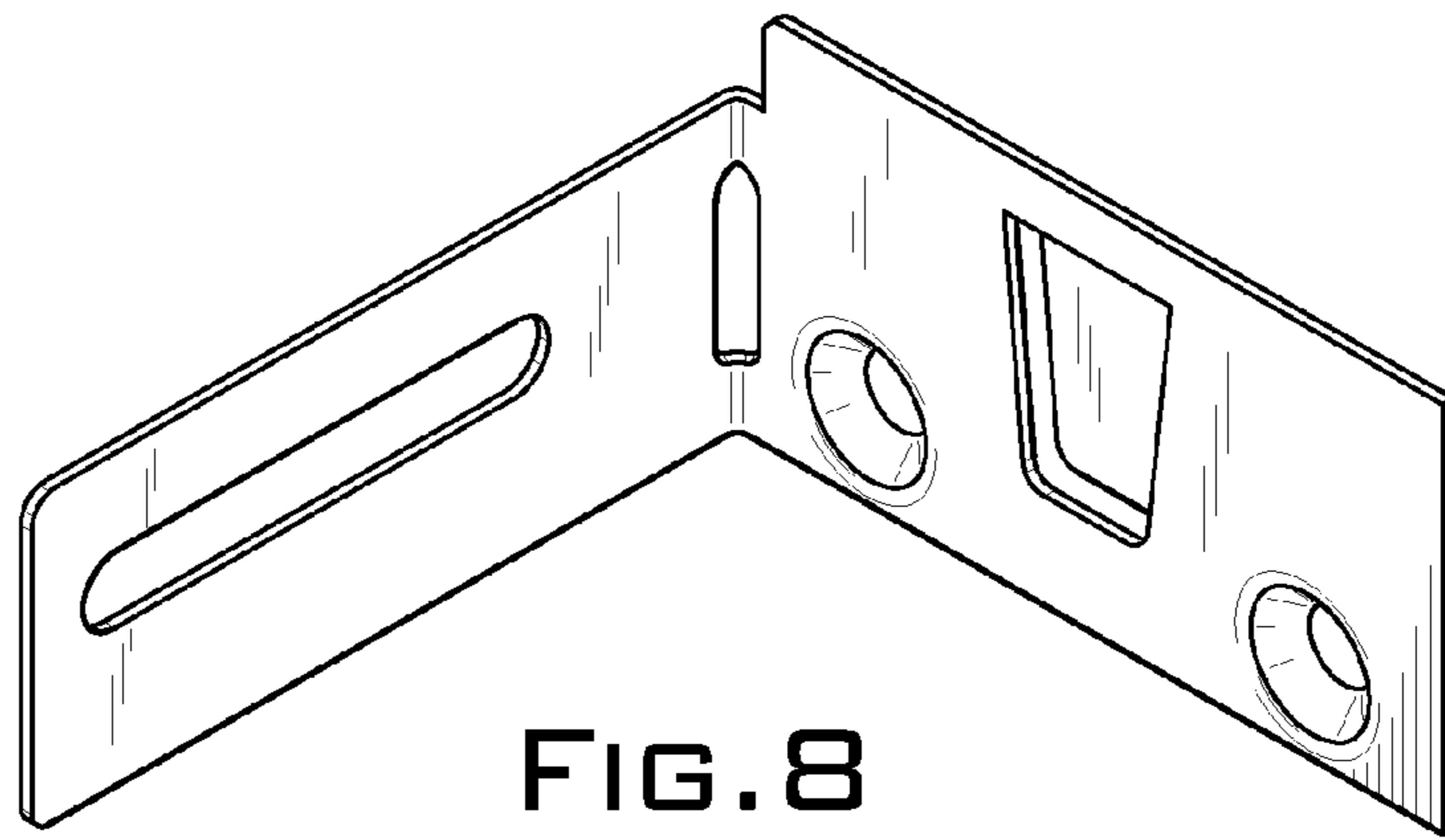


FIG. 8



FIG. 9

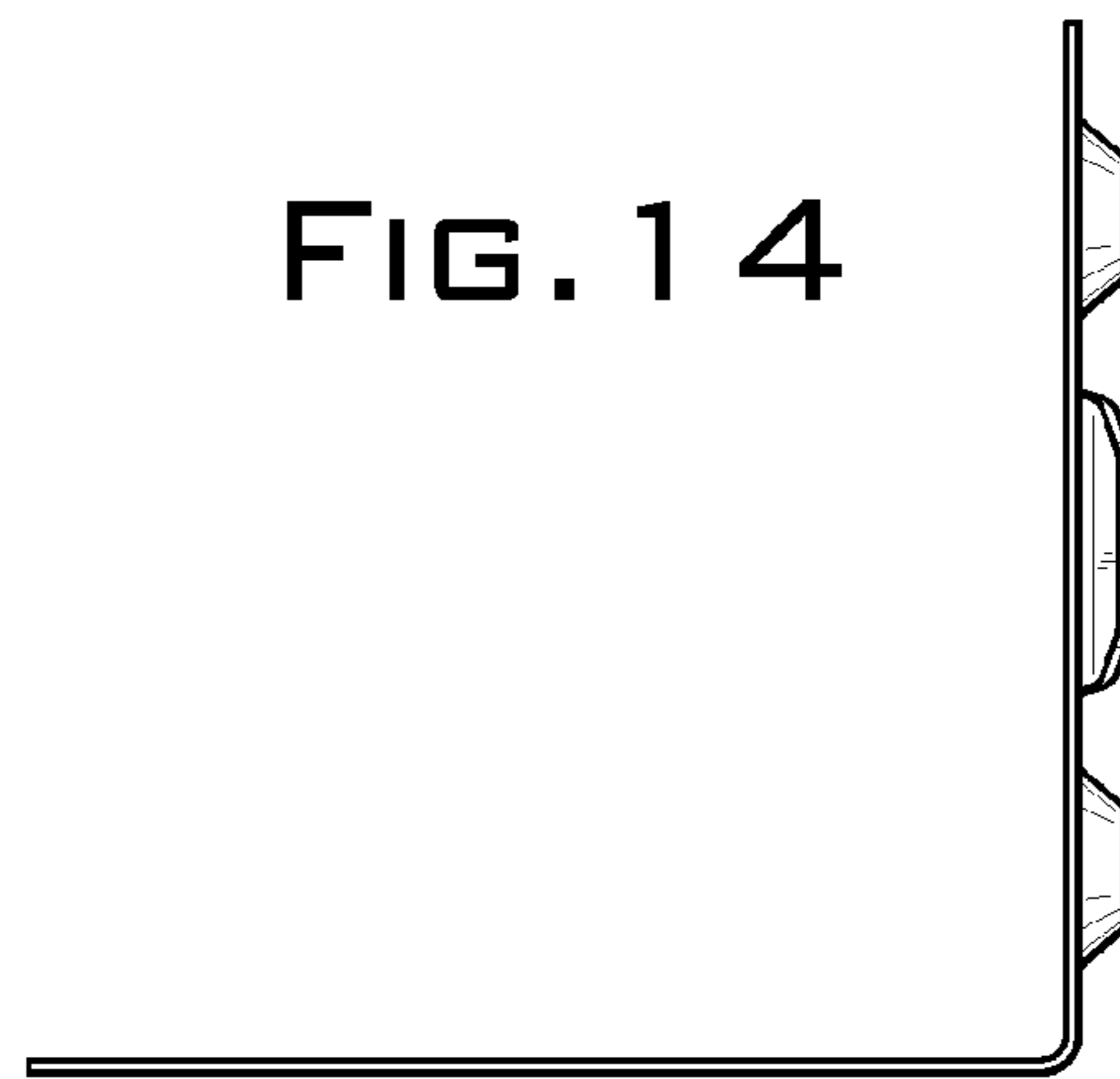


FIG. 14

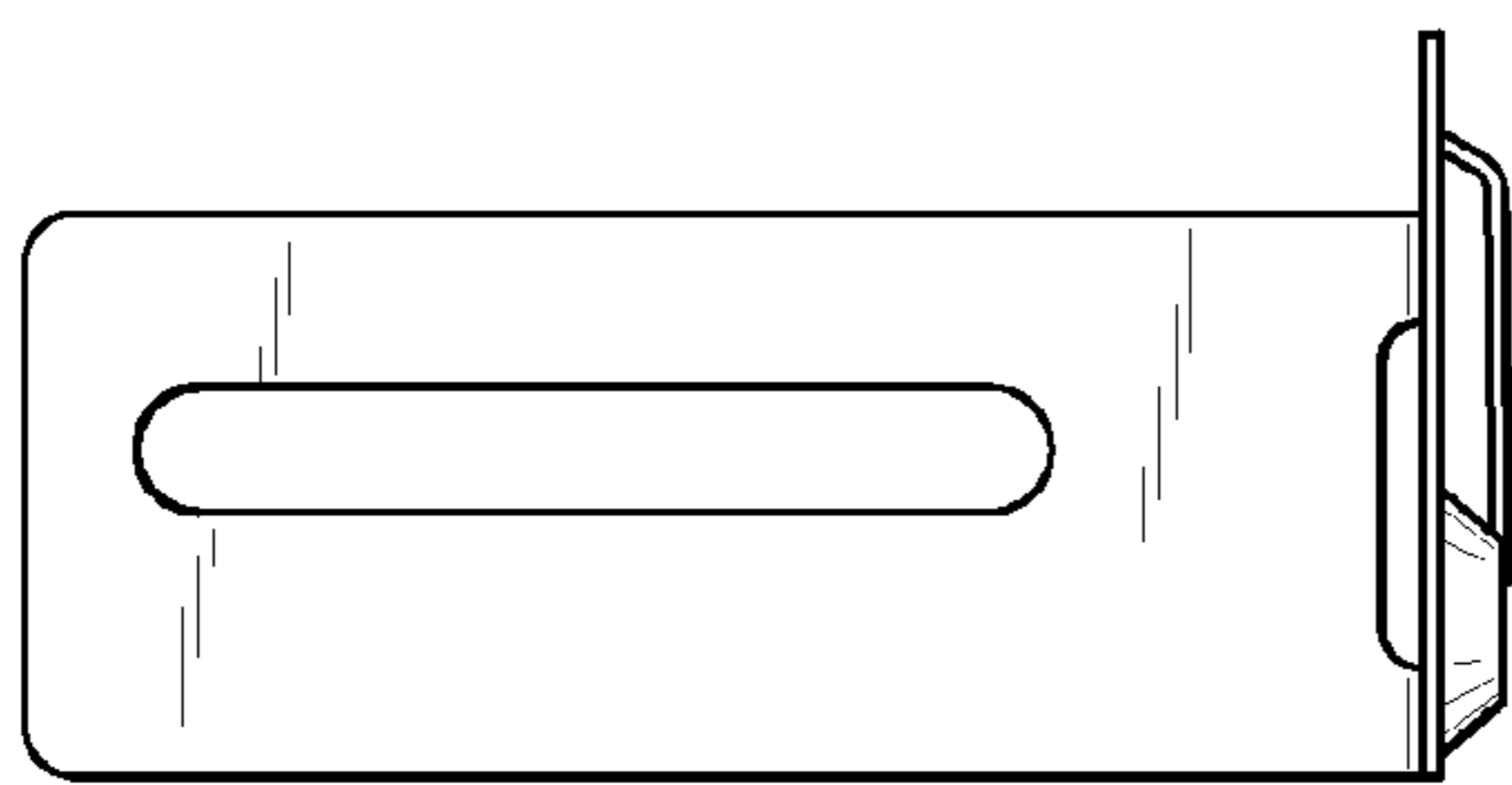


FIG. 10

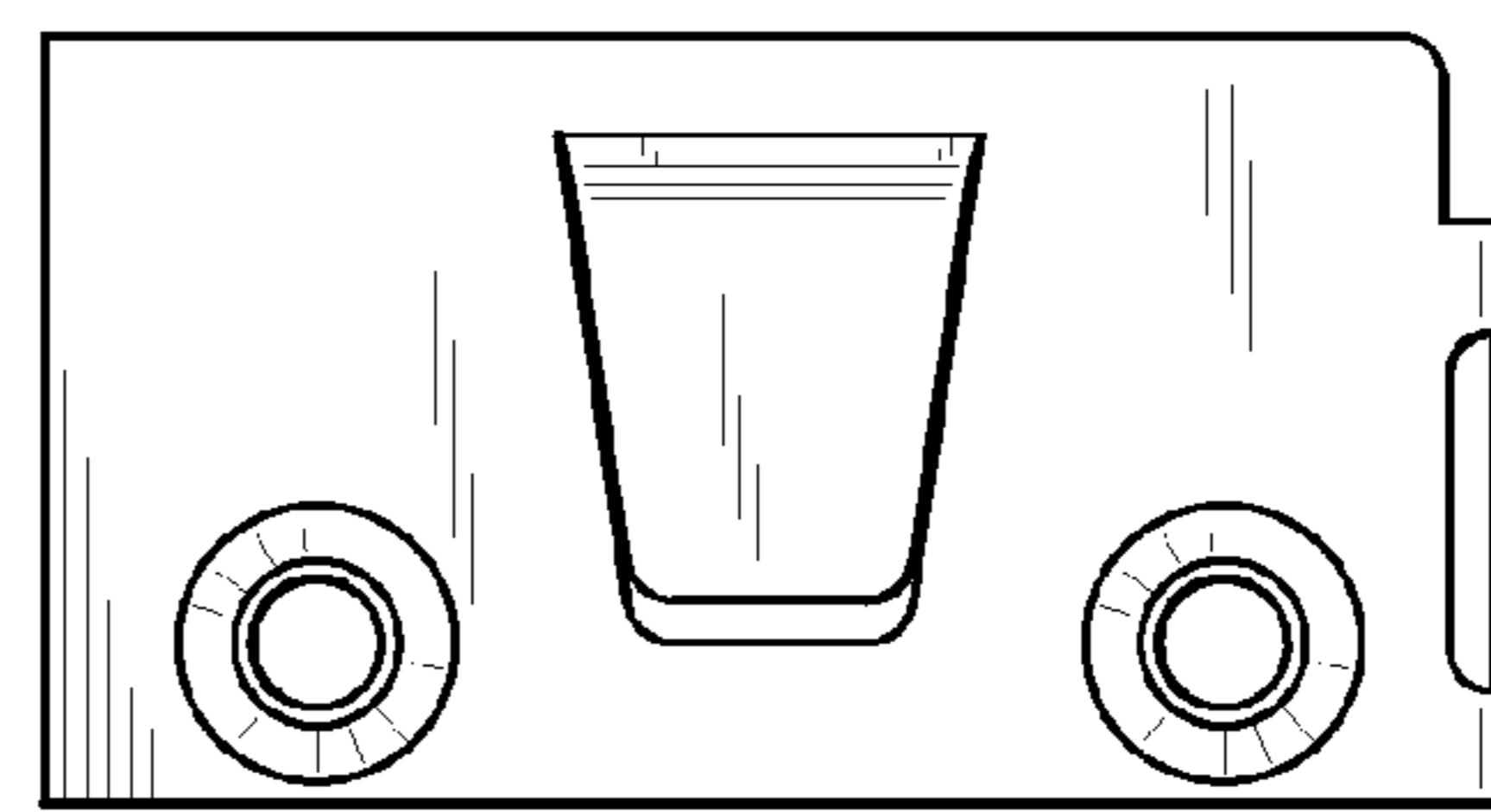


FIG. 11

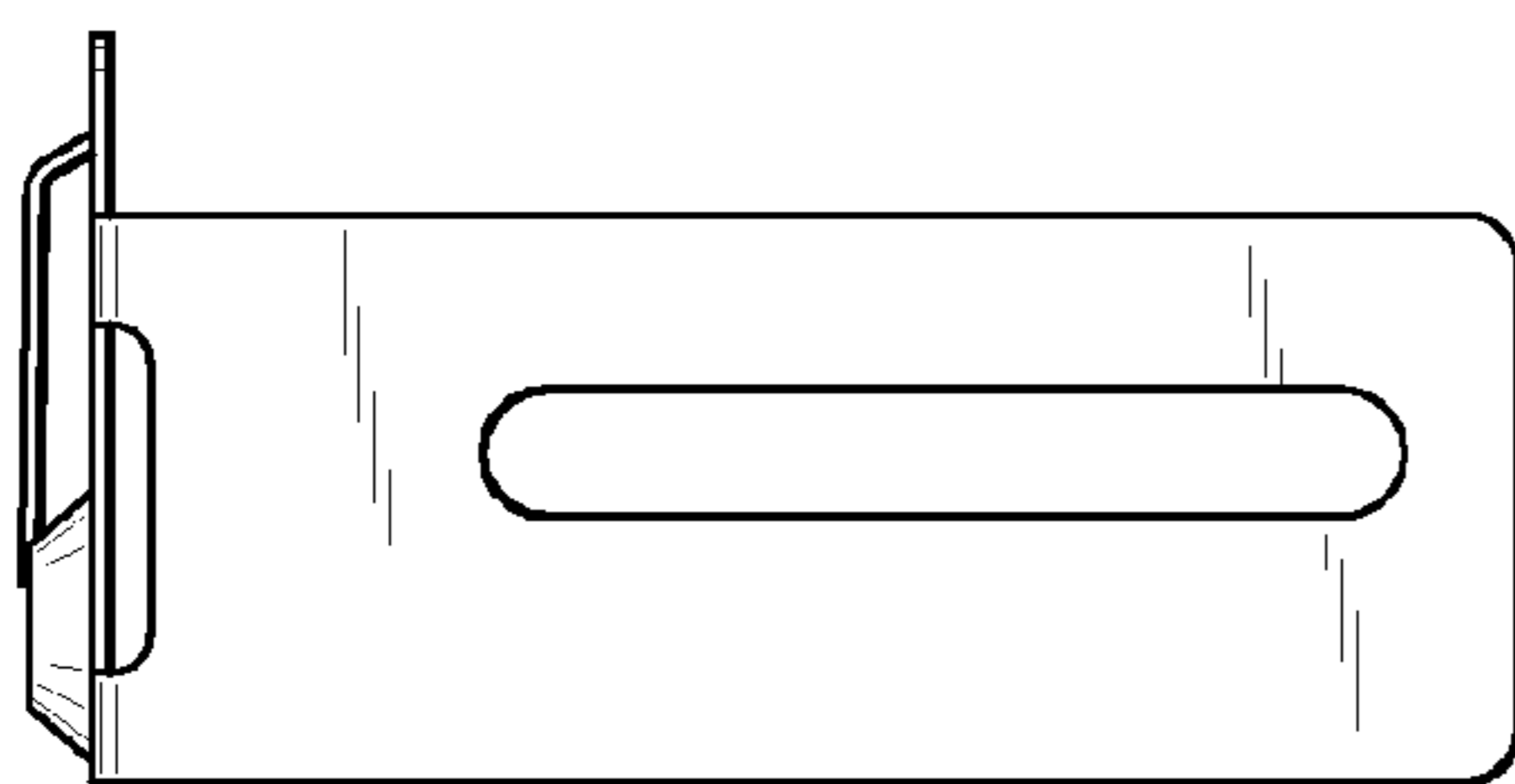


FIG. 12

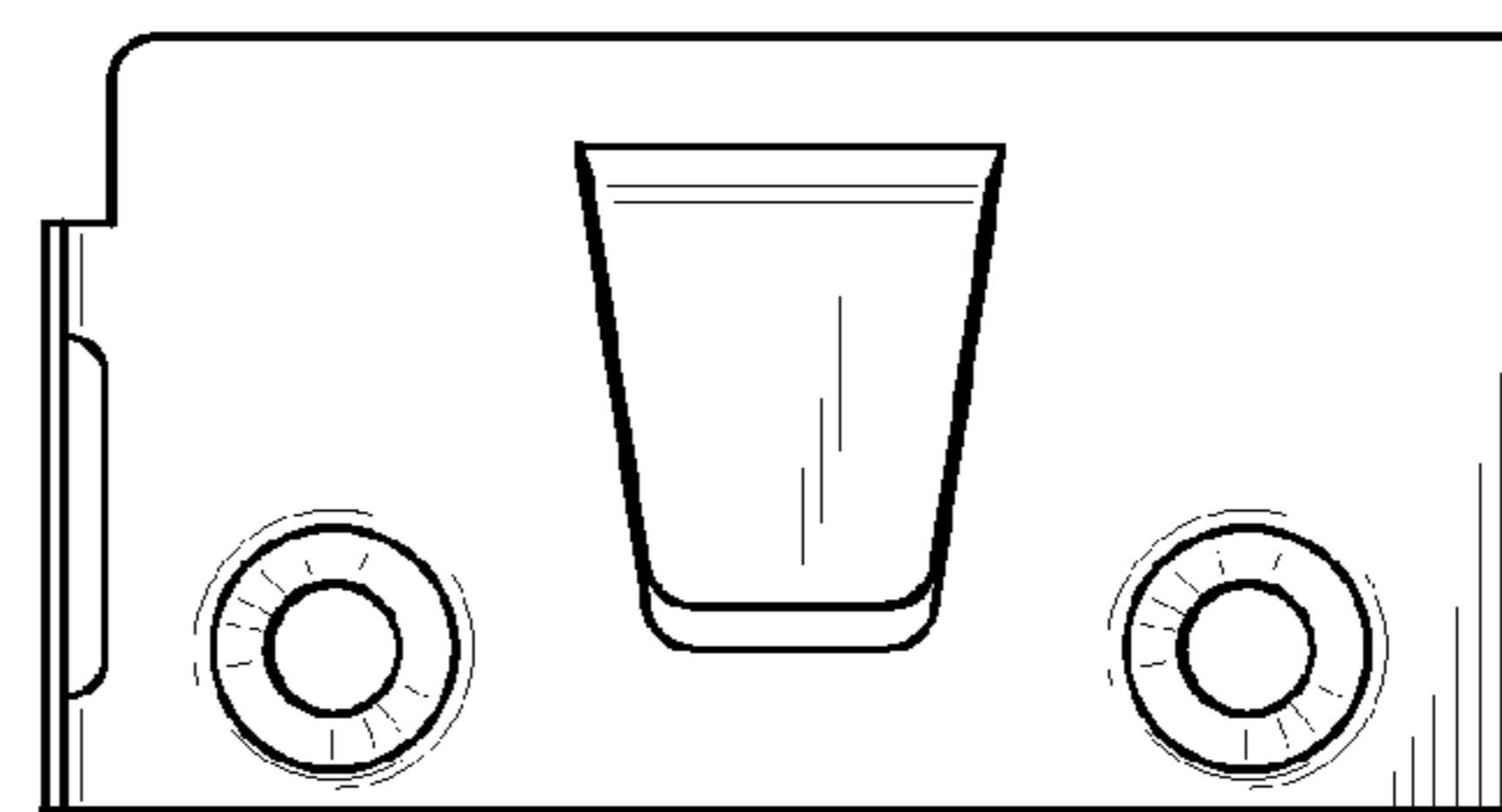


FIG. 13