



US00D638284S

(12) **United States Design Patent**
Craft

(10) **Patent No.:** **US D638,284 S**

(45) **Date of Patent:** **** May 24, 2011**

(54) **FRAMELESS MIRROR HANGER CLIP**

(75) Inventor: **Larry Dean Craft**, Red Oak, TX (US)

(73) Assignee: **Larry Craft**, Red Oak, TX (US)

(**) Term: **14 Years**

(21) Appl. No.: **29/349,652**

(22) Filed: **Apr. 20, 2010**

(51) **LOC (9) Cl.** **08-05**

(52) **U.S. Cl.** **D8/373**

(58) **Field of Classification Search** D8/373,
D8/354; 248/496-498

See application file for complete search history.

(56) **References Cited**

U.S. PATENT DOCUMENTS

| | | | | | |
|-----------|-----|---------|----------|-------|---------|
| 2,299,443 | A * | 10/1942 | Walmsley | | 248/497 |
| 2,530,892 | A * | 11/1950 | Mayo | | 248/498 |
| 4,458,872 | A * | 7/1984 | Couch | | 248/497 |
| D389,450 | S * | 1/1998 | Wilson | | D12/223 |

| | | | | | |
|----------|-----|--------|-----------|-------|--------|
| D408,716 | S * | 4/1999 | Vesledahl | | D8/354 |
| D484,778 | S * | 1/2004 | French | | D8/373 |
| D489,598 | S * | 5/2004 | Balaban | | D8/354 |
| D543,834 | S * | 6/2007 | Worthy | | D8/354 |

* cited by examiner

Primary Examiner — Holly H Baynham

(57) **CLAIM**

I claim the ornamental design for a frameless mirror hanger clip, as shown and described.

DESCRIPTION

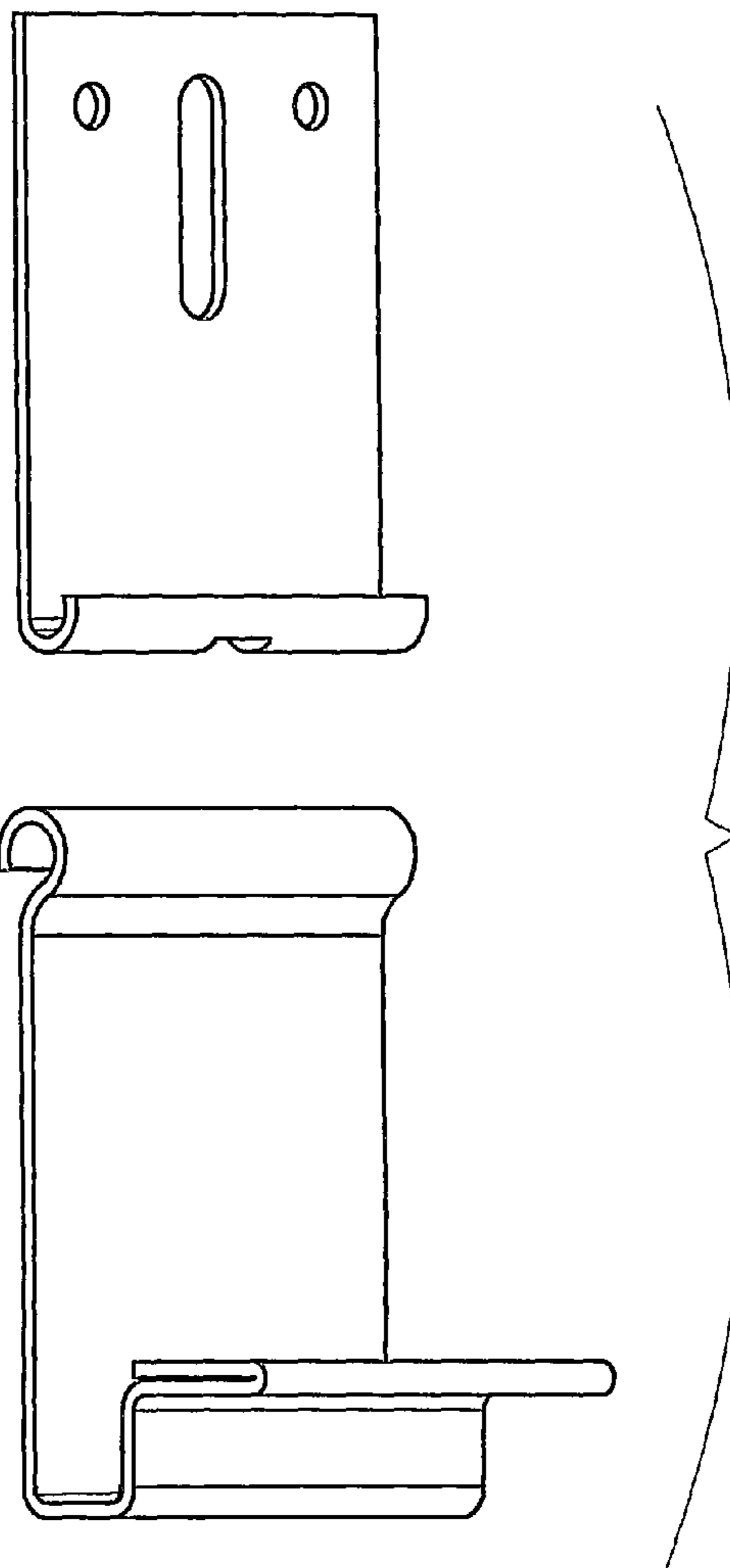
FIG. 1 is a left side view of the frameless mirror hanger clip with the right side being a mirror image of the left side.

FIG. 2 Is a left front uncoupled perspective view of my frameless mirror hanger clip.

FIG. 3 Is a back right uncoupled together perspective view of my frameless mirror hanger clip; and,

FIG. 4 is a coupled, rear, perspective view of the frameless mirror hanger clip.

1 Claim, 2 Drawing Sheets



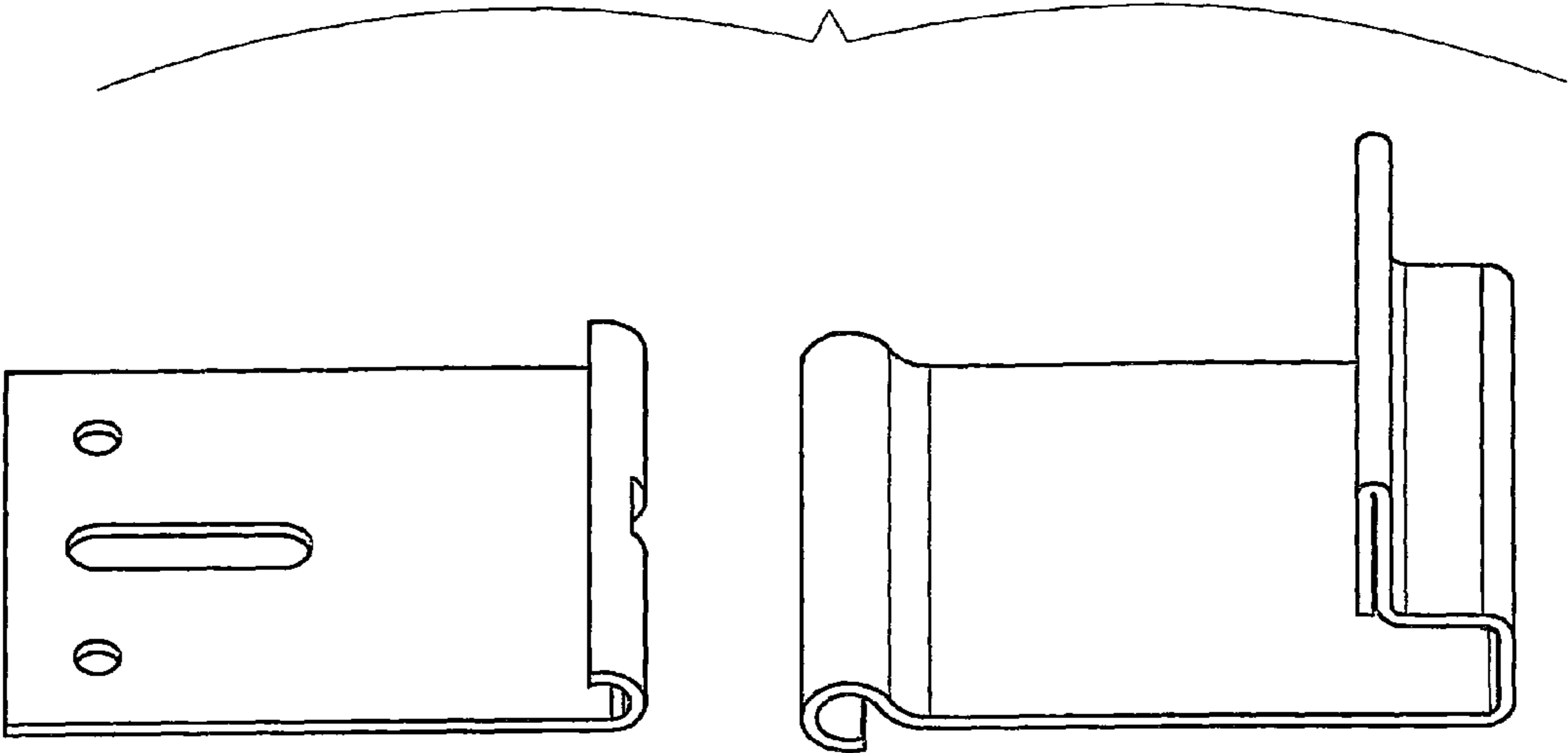


FIGURE 2

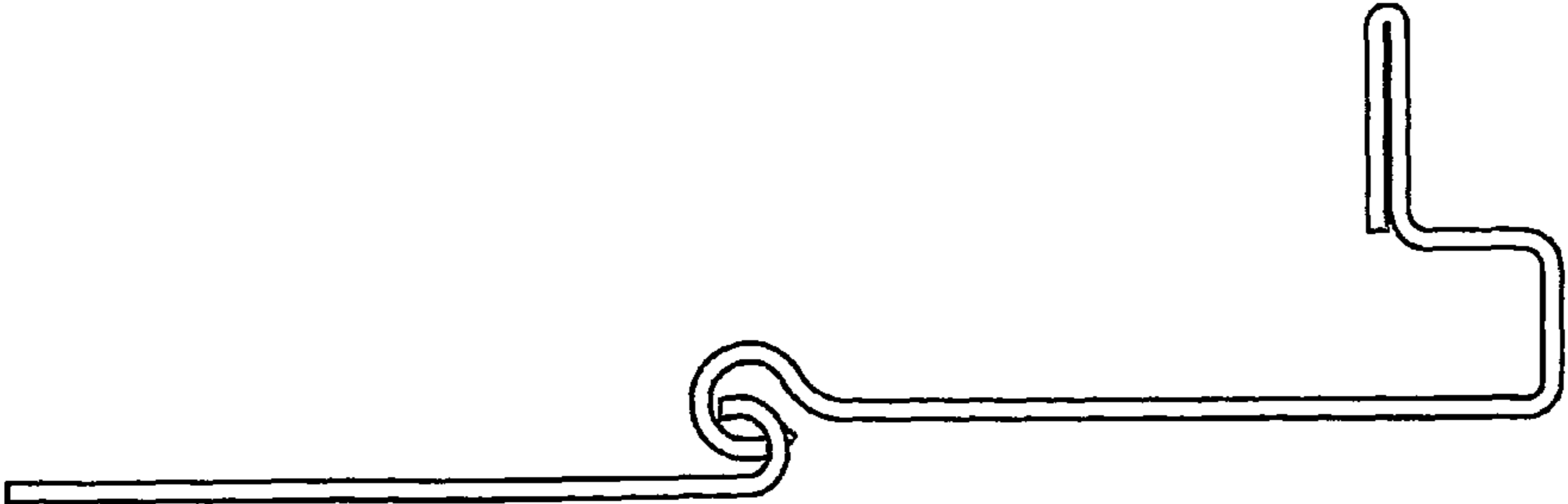


FIGURE 1

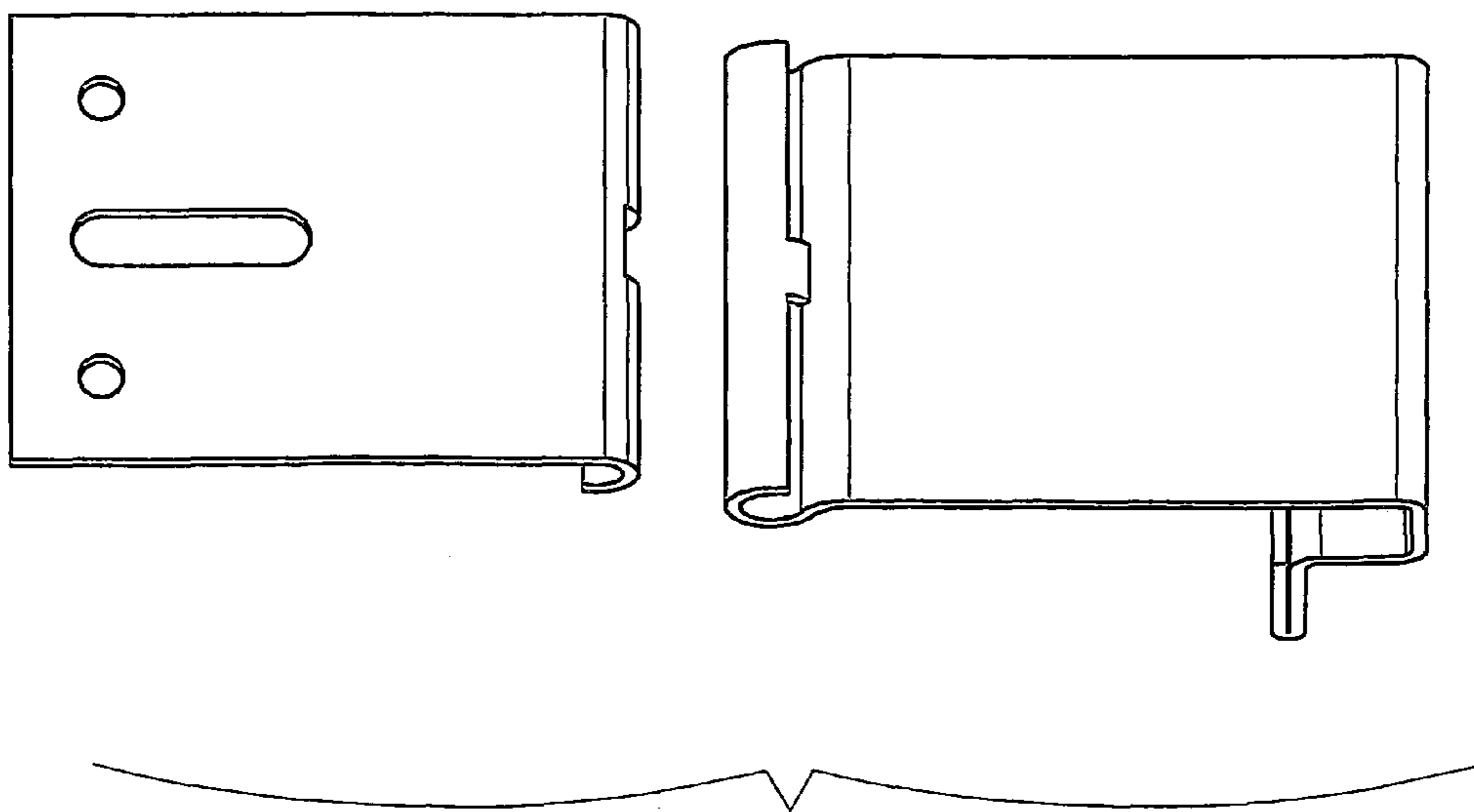


FIGURE 3

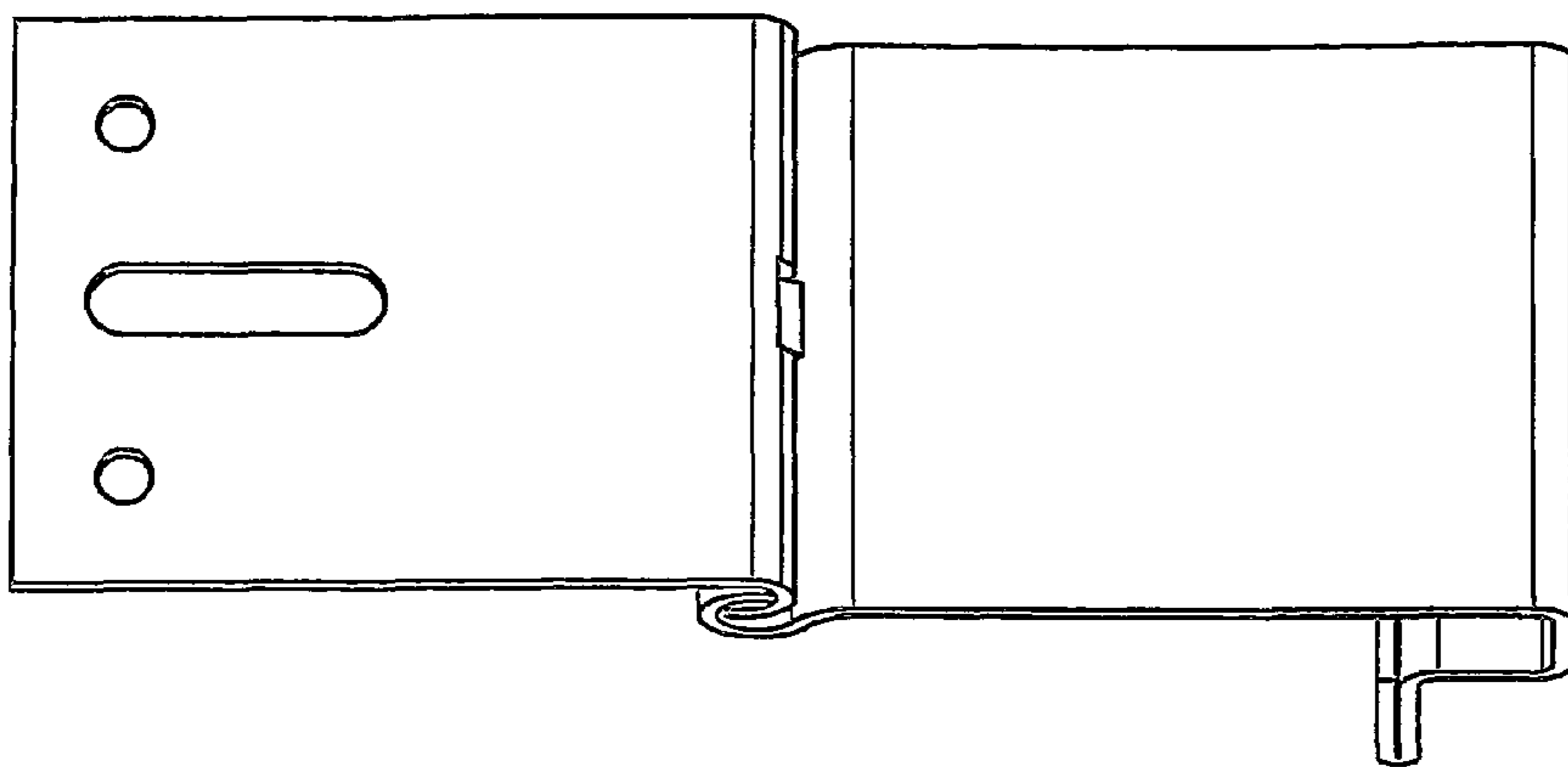


FIGURE 4