



US00D638282S

(12) **United States Design Patent**  
**Robinson**

(10) **Patent No.:** **US D638,282 S**

(45) **Date of Patent:** **\*\* May 24, 2011**

(54) **CURTAIN ROD BRACKET**

(76) **Inventor:** **Frederick C. Robinson**, Bellingham,  
MA (US)

(\*\*) **Term:** **14 Years**

(21) **Appl. No.:** **29/383,435**

(22) **Filed:** **Jan. 18, 2011**

**Related U.S. Application Data**

(62) Division of application No. 29/356,190, filed on Feb. 22, 2010.

(51) **LOC (9) Cl.** ..... **08-05**

(52) **U.S. Cl.** ..... **D8/366**

(58) **Field of Classification Search** ..... D8/381,  
D8/380, 373, 371, 366, 363, 354, 349; D6/572,  
D6/567, 553, 512, 491, 466, 449, 418, 407;  
52/12, 11; 248/917, 629, 309.1, 300, 261,  
248/250, 245, 239, 235, 200

See application file for complete search history.

(56) **References Cited**

**U.S. PATENT DOCUMENTS**

D107,328 S *	12/1937	Ullrich	.....	D8/366
D142,539 S *	10/1945	White	.....	D8/366
D142,540 S *	10/1945	White	.....	D8/366
D168,074 S *	10/1952	Symington	.....	D8/354
2,679,373 A *	5/1954	Henley	.....	248/262
D253,162 S *	10/1979	Sheehan	.....	D8/366
D368,218 S *	3/1996	Klein, III	.....	D8/354

D408,721 S *	4/1999	Sartini	.....	D8/363
D408,722 S	4/1999	Sartini		
D478,804 S	8/2003	Titus		
D495,588 S *	9/2004	Wurdack	.....	D8/367
D547,163 S *	7/2007	Xayoiphonh	.....	D8/363
D547,164 S *	7/2007	Xayoiphonh	.....	D8/363
D550,540 S *	9/2007	Nawrocki	.....	D8/354
2007/0187561 A1 *	8/2007	Xayoiphonh	.....	248/235

\* cited by examiner

*Primary Examiner* — Susan Bennett Hattan

(74) *Attorney, Agent, or Firm* — Brian M. Dingman; Mirick, O'Connell, DeMallie & Lougee, LLP

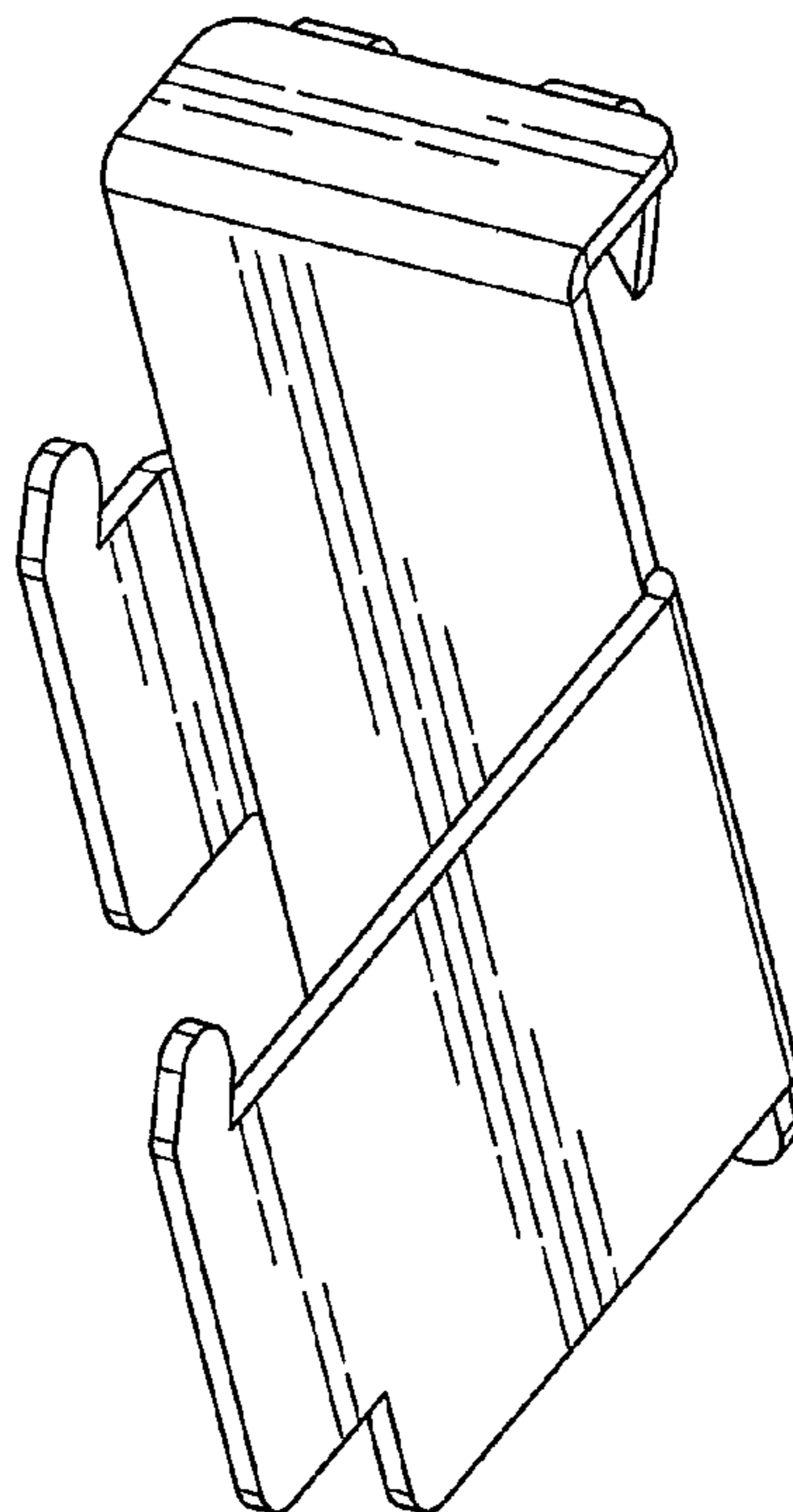
(57) **CLAIM**

The ornamental design for a curtain rod bracket, as shown and described.

**DESCRIPTION**

FIG. 1 is a front perspective view of the right-side curtain rod bracket of a left and right side curtain rod bracket set according to the invention in which the bracket is hung by nailing, the left side bracket being a mirror image thereof; FIG. 2 is a rear perspective view thereof; FIG. 3 is a front view thereof; FIG. 4 is a rear view thereof; FIG. 5 is a left side view thereof; FIG. 6 is a right side view thereof; FIG. 7 is a top view thereof; and, FIG. 8 is a bottom view thereof.

**1 Claim, 4 Drawing Sheets**



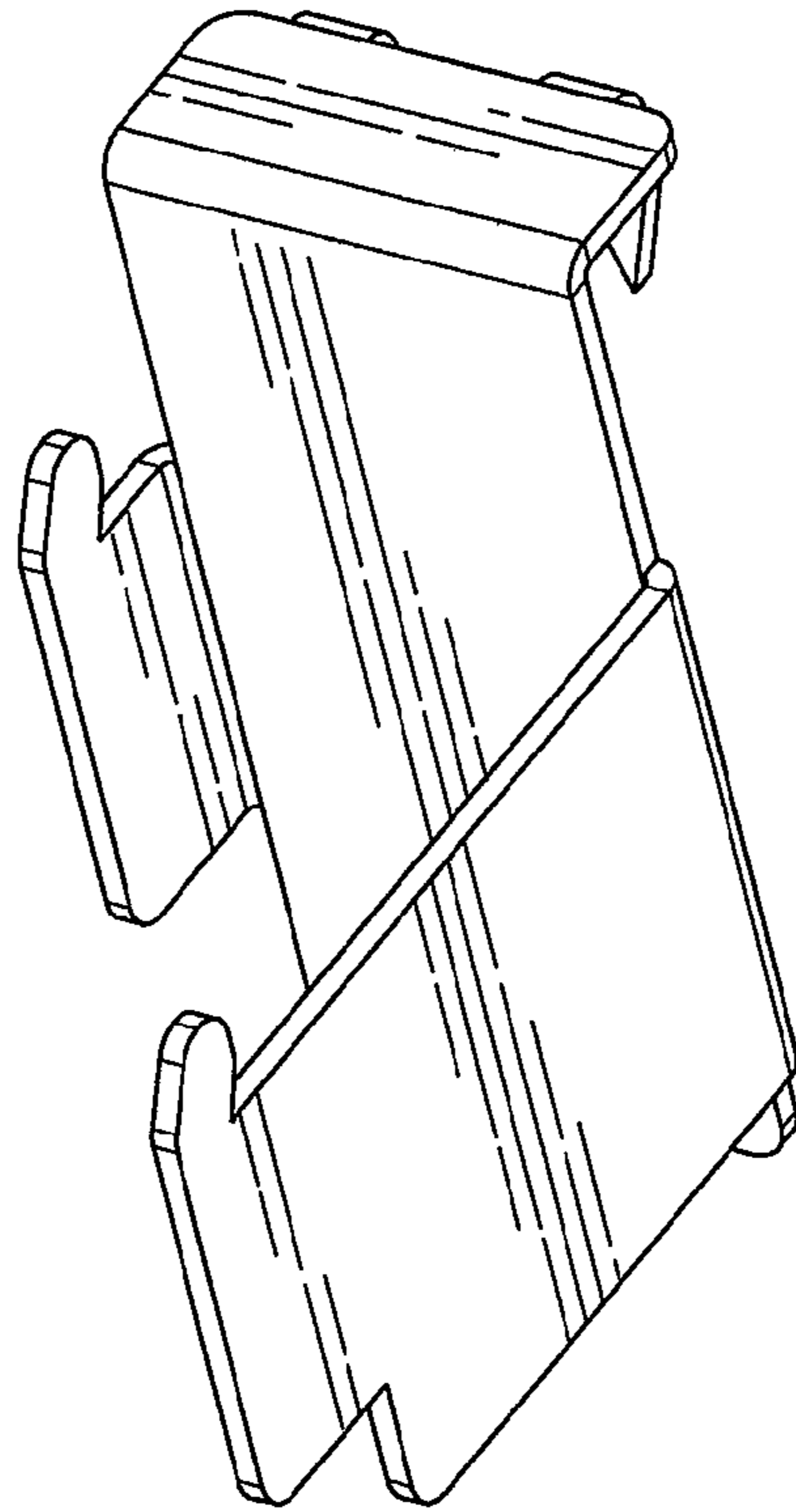


FIG. 1

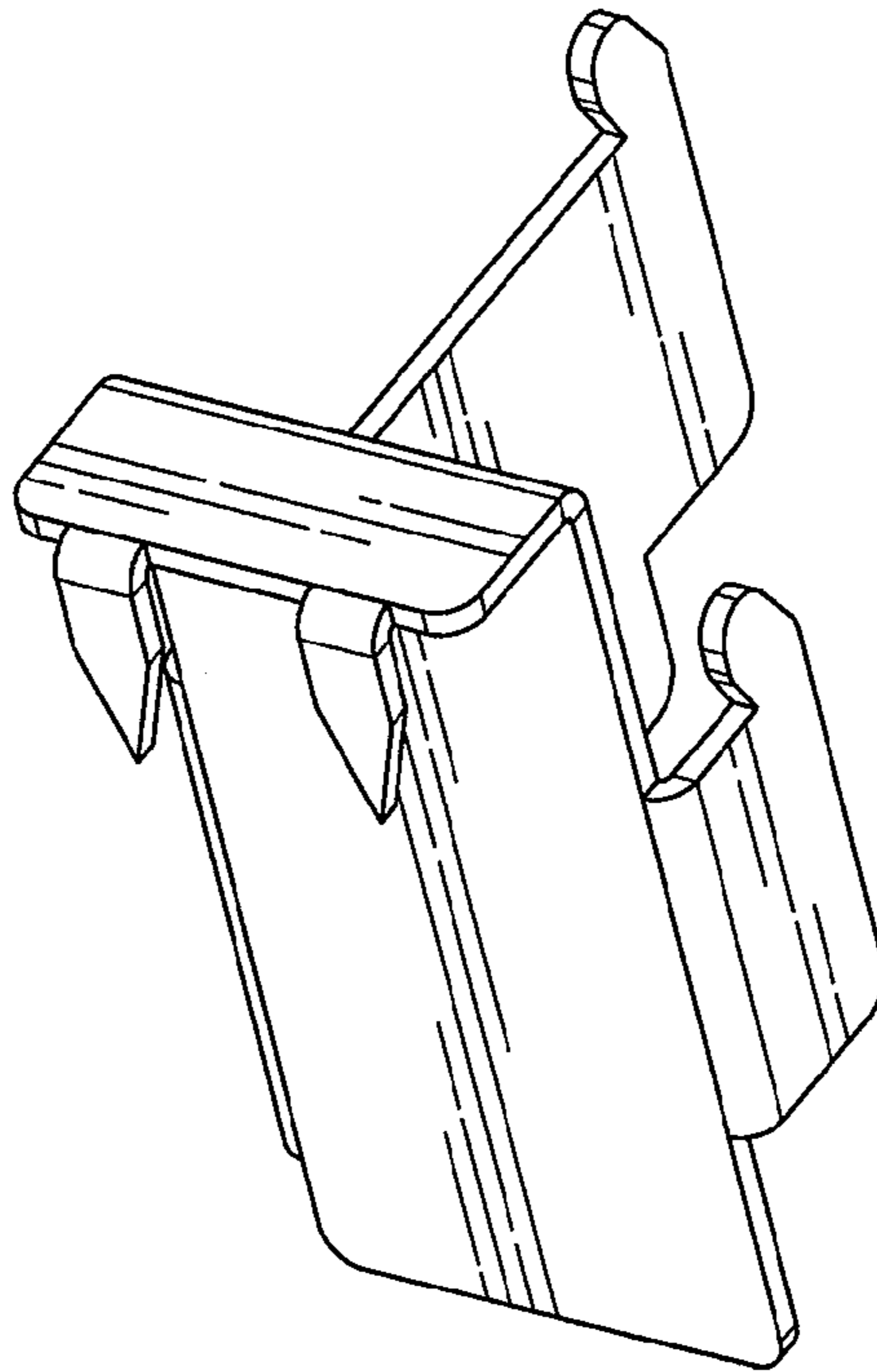


FIG. 2

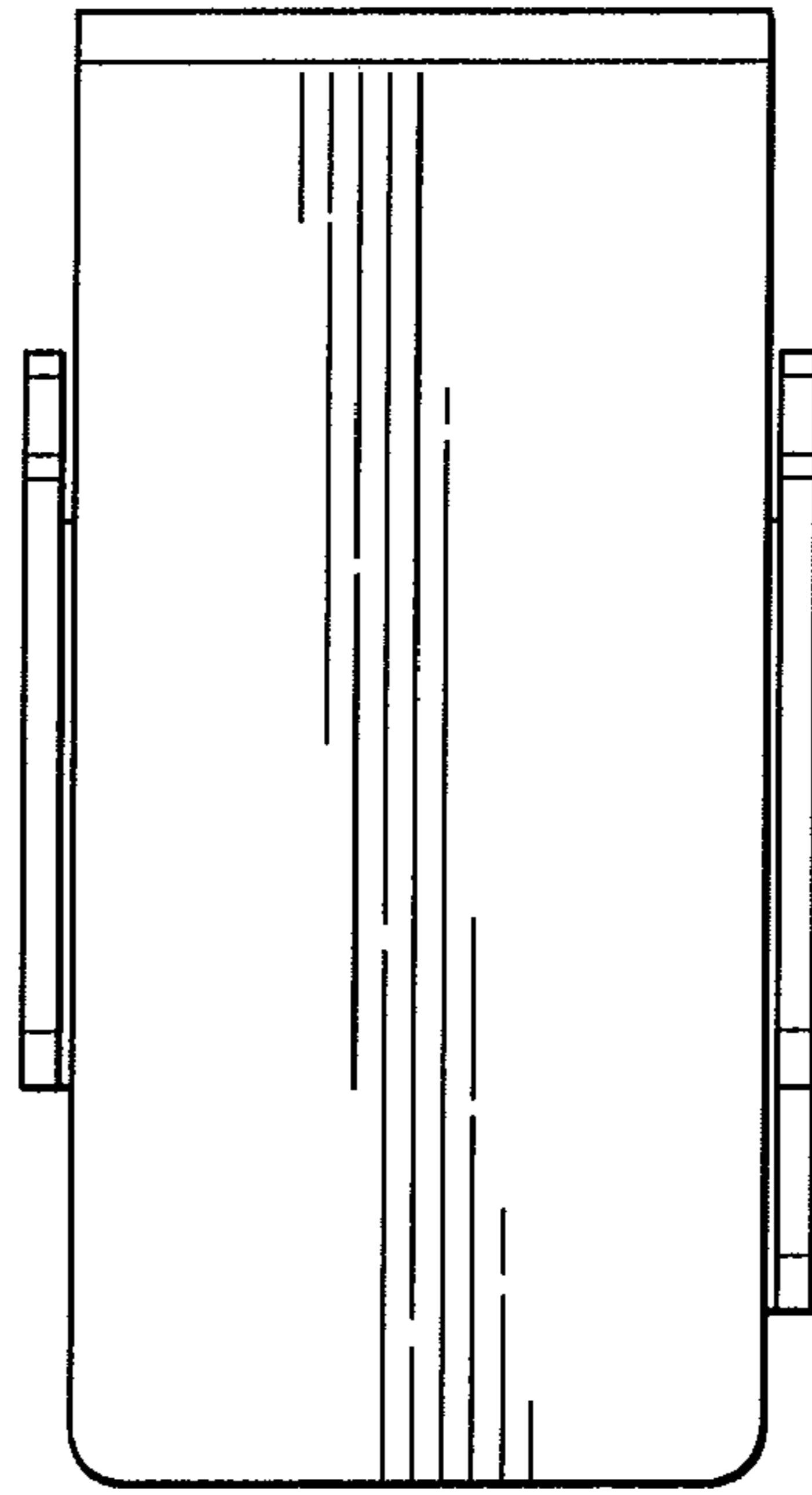


FIG. 3

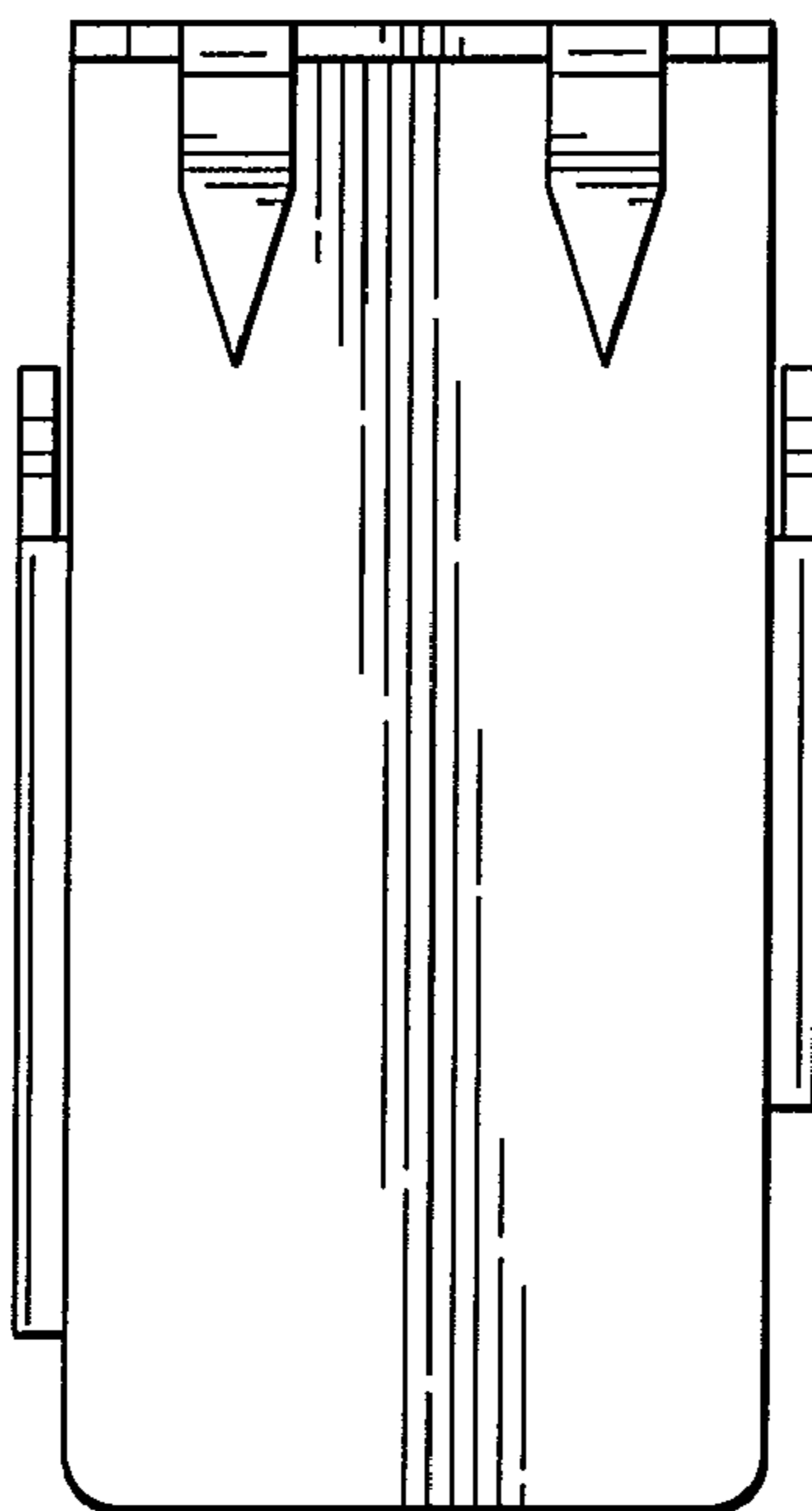


FIG. 4

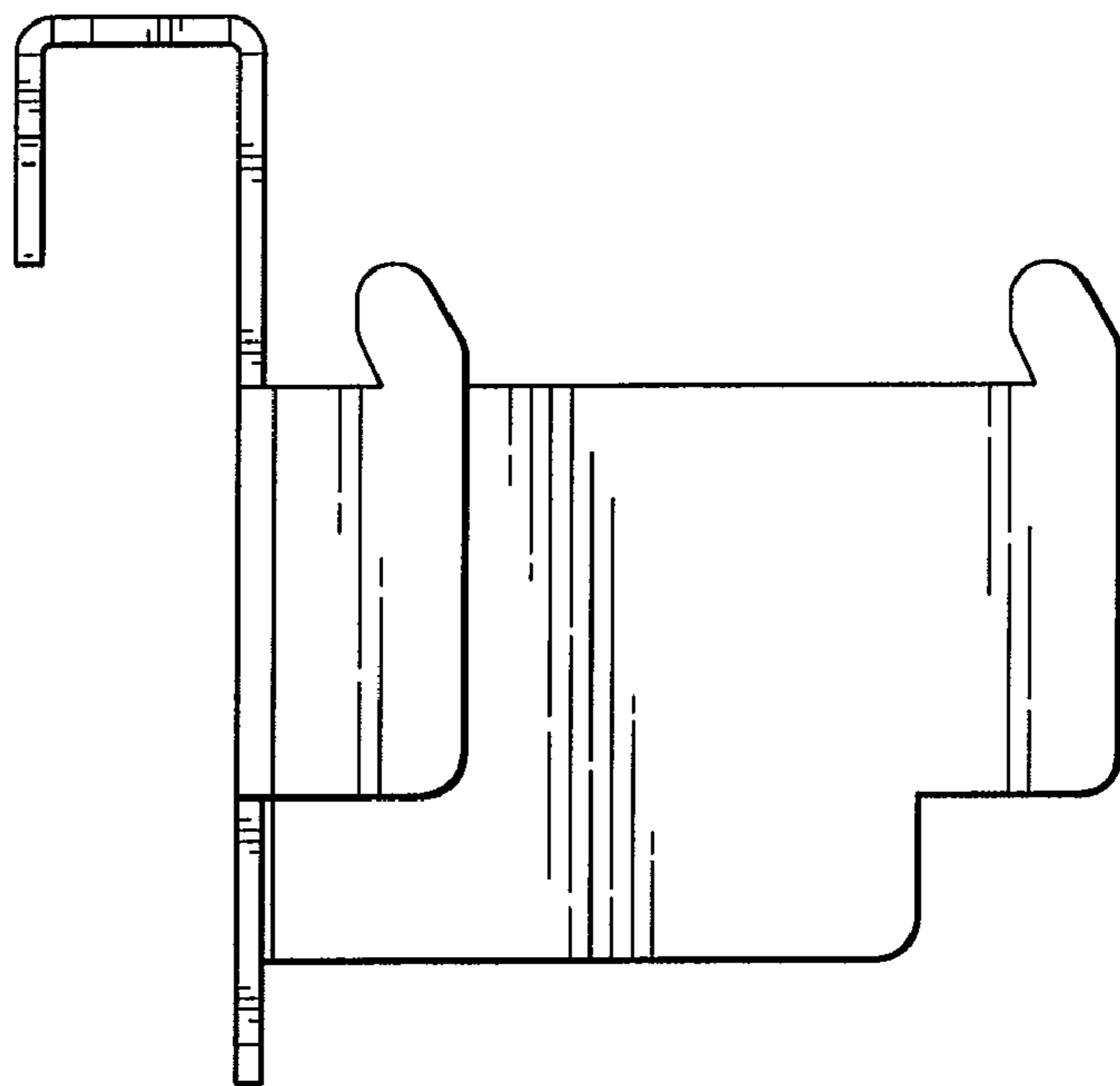


FIG. 5

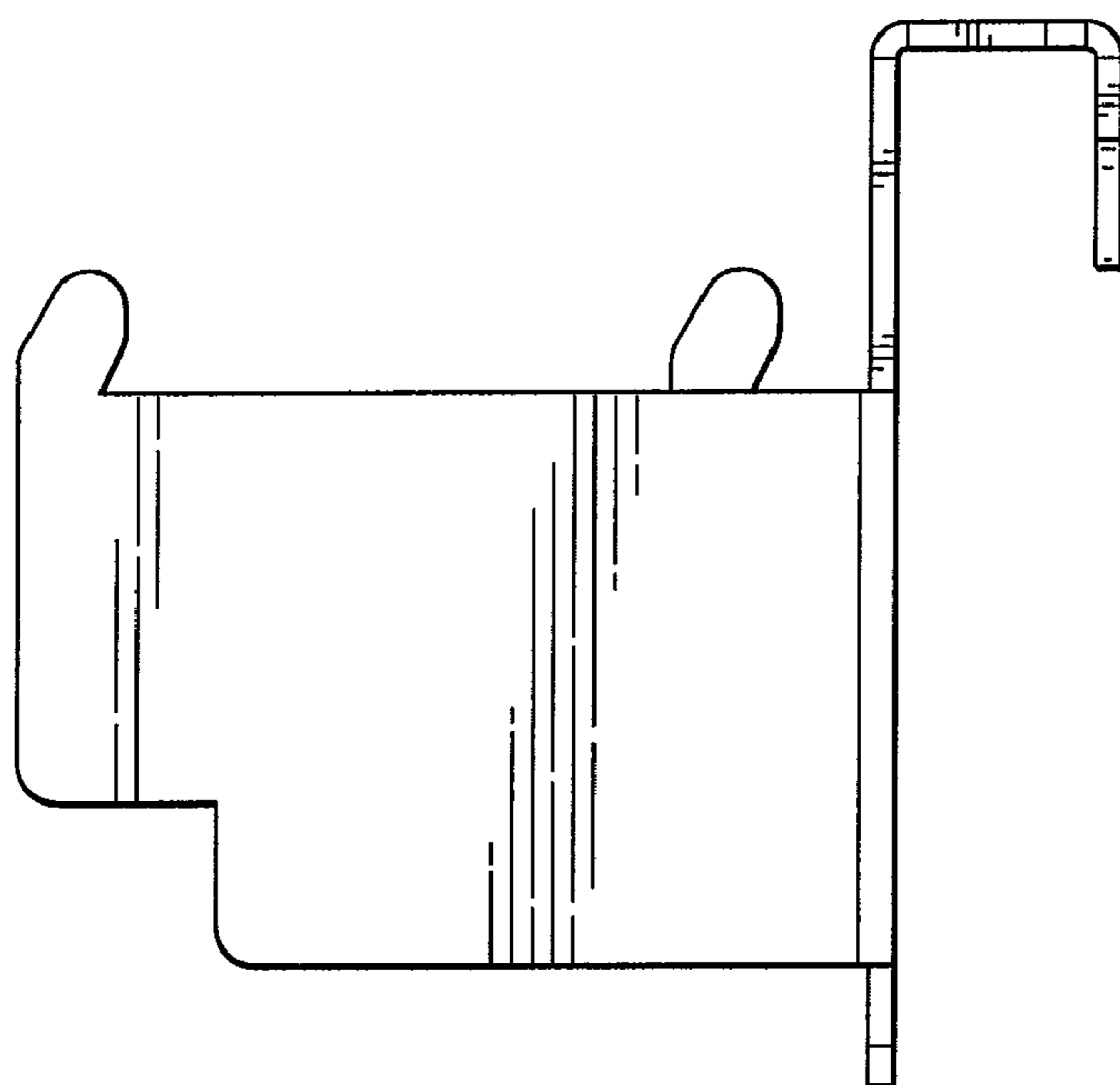


FIG. 6

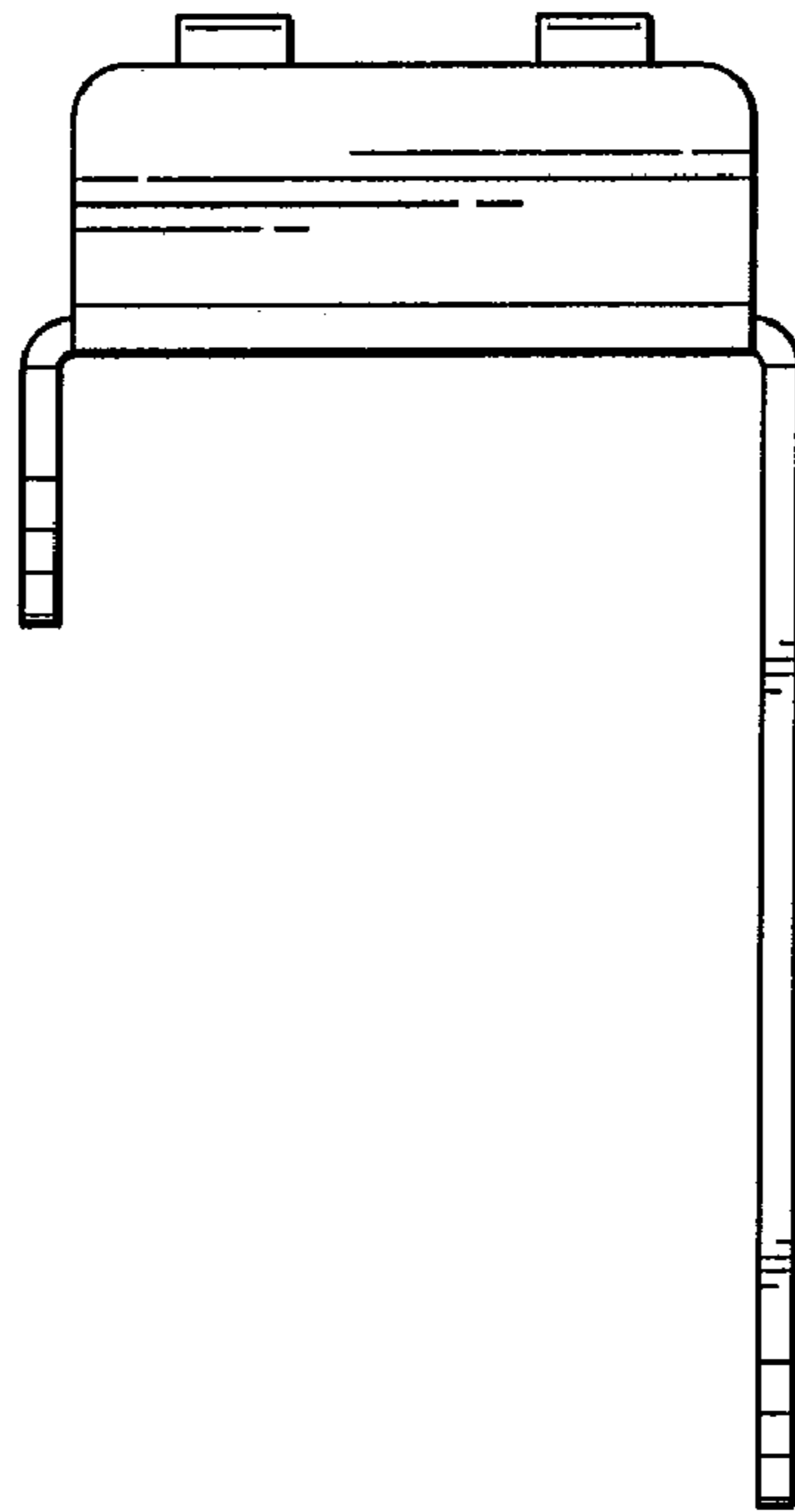


FIG. 7

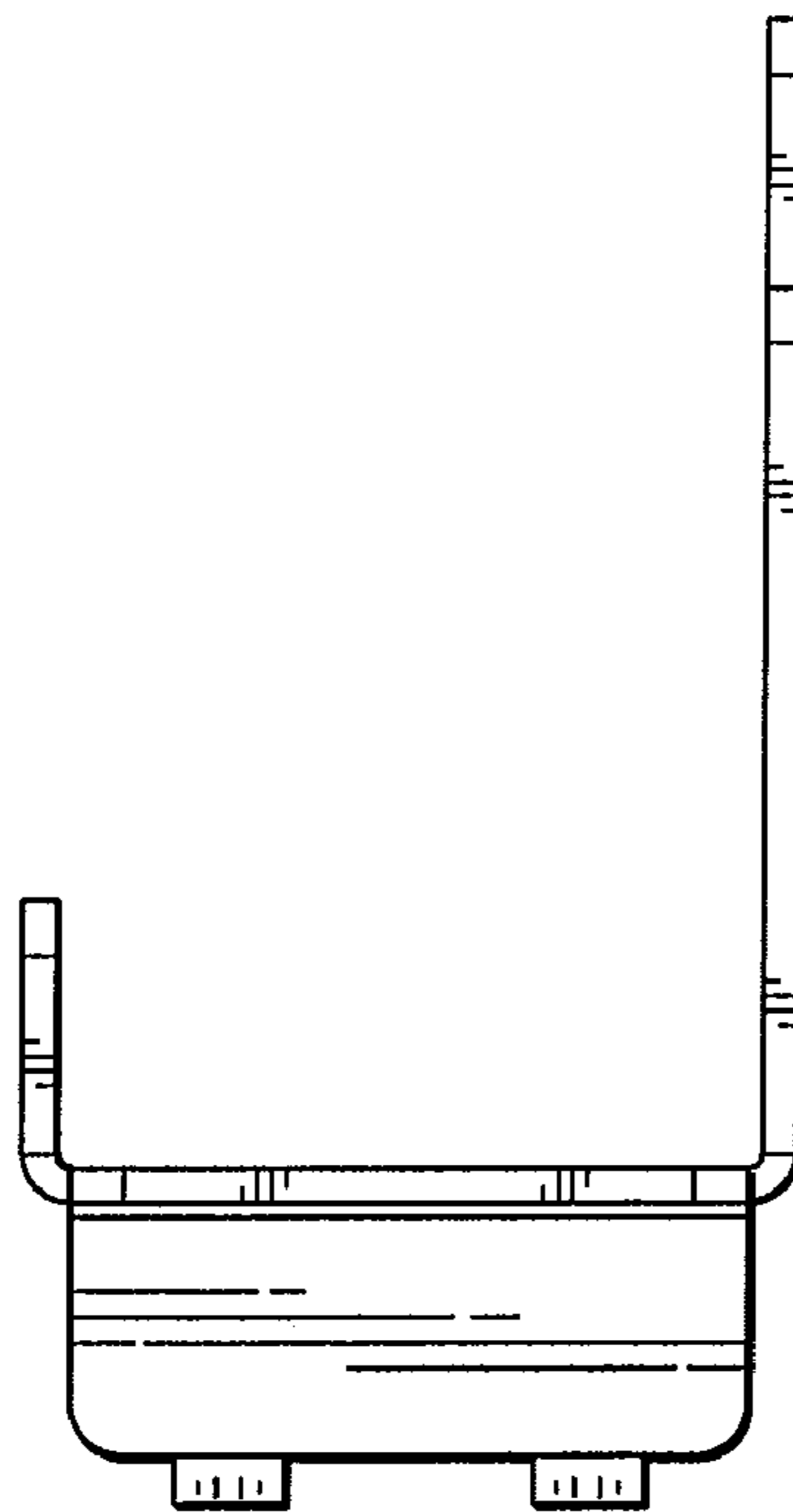


FIG. 8