

US00D638279S

(12) **United States Design Patent**
Plato

(10) **Patent No.:** **US D638,279 S**
(45) **Date of Patent:** **** May 24, 2011**

(54) **LOCK**
(75) Inventor: **Lea Marie Plato**, Milwaukee, WI (US)
(73) Assignee: **Master Lock Company LLC**, Oak Creek, WI (US)
(**) Term: **14 Years**
(21) Appl. No.: **29/380,673**
(22) Filed: **Dec. 9, 2010**

4,422,311 A 12/1983 Zabel et al.
4,476,698 A 10/1984 Treslo
D276,408 S 11/1984 Zabel et al.
D369,288 S * 4/1996 Jensen D8/313
D379,059 S * 5/1997 Turner D8/346
D381,268 S * 7/1997 Rush et al. D9/452
D390,282 S * 2/1998 Burdick D21/443
D397,026 S 8/1998 Drake
D405,144 S * 2/1999 Crum D21/789
D406,043 S 2/1999 LeClaire

(Continued)

Related U.S. Application Data

(63) Continuation of application No. 29/326,041, filed on Oct. 10, 2008, now Pat. No. Des. 629,280.
(51) **LOC (9) Cl.** **08-07**
(52) **U.S. Cl.** **D8/334**
(58) **Field of Classification Search** D8/334, D8/313, 330, 331, 332, 333, 335, 336, 337, D8/338, 339, 341, 342, 343, 346, 347; D6/407; D7/553.6, 553.8; D9/434, 435, 452; D20/28, D20/99; D21/304, 443, 789, 790; 70/14, 70/20, 21, 22, 23, 24, 25, 27, 28, 31, 32, 70/39, 41, 52-56, 86, 314, 423, DIG. 43, 70/DIG. 56; 206/519; 220/380, 781; 473/150, 473/173-176, 588

See application file for complete search history.

References Cited

(56)

U.S. PATENT DOCUMENTS

228,619 A 6/1880 Estes et al.
745,064 A 11/1903 Katzenberger
825,735 A 7/1906 Katzenberger
3,724,122 A * 4/1973 Gillespie, Sr. 446/46
3,756,046 A 9/1973 Jeh
3,952,559 A 4/1976 Atkinson
D242,370 S * 11/1976 Arndt et al. D21/790
4,224,813 A 9/1980 Hampton

OTHER PUBLICATIONS

Printout from Office of harmonization in the Internal Market, Design No. 000835244-0001, publication date Feb. 1, 2008, <http://oami/europa.eu/RCDOnline/RequestManager?print=1> (printed Jul. 28, 2009).

Primary Examiner — Stella M Reid

Assistant Examiner — Derrick Holland

(74) *Attorney, Agent, or Firm* — Calfee, Halter & Griswold LLP

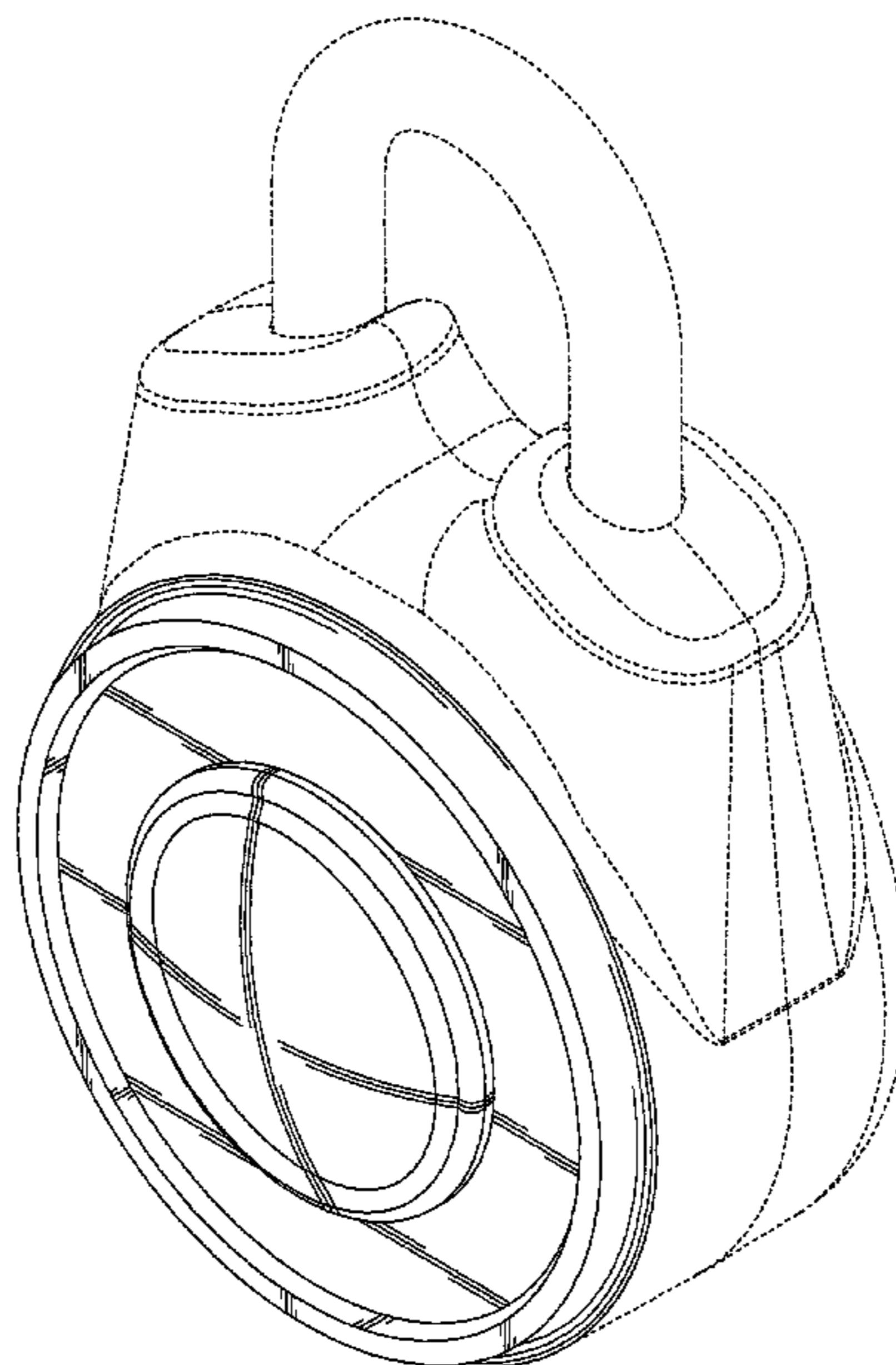
CLAIM

(57) I claim the ornamental design for a lock, as shown and described.

DESCRIPTION

FIG. 1 is a front perspective view of a lock showing my new design;
FIG. 2 is a top view of the lock of FIG. 1;
FIG. 3 is a front view of the lock of FIG. 1;
FIG. 4 is a rear view of the lock of FIG. 1;
FIG. 5 is a bottom view of the lock of FIG. 1;
FIG. 6 is a right side view of the lock of FIG. 1; and,
FIG. 7 is a left side view of the lock of FIG. 1.
The broken lines shown represent unclaimed subject matter and form no part of the claimed design.

1 Claim, 4 Drawing Sheets



US D638,279 S

Page 2

U.S. PATENT DOCUMENTS

D416,467 S	11/1999	Castellanos et al.	D516,408 S	3/2006	Kearns et al.	
D425,398 S	5/2000	Fiegner et al.	D517,396 S	3/2006	Tarter et al.	
D426,763 S	6/2000	Adler et al.	D527,428 S *	8/2006	Cooper	D21/443
D427,884 S	7/2000	Castellanos et al.	D528,401 S	9/2006	Ruan	
D433,314 S	11/2000	Mimlitch et al.	D533,764 S	12/2006	Heppner	
6,298,694 B1	10/2001	Knoll	D537,703 S	3/2007	Kearns et al.	
D455,639 S	4/2002	McDaid et al.	D541,228 S	4/2007	Thursfield	
D476,216 S	6/2003	Vito	D541,630 S	5/2007	Blomstrom et al.	
6,718,803 B2	4/2004	Knoll	D545,177 S	6/2007	Vito	
D512,900 S	12/2005	Tarter et al.	D557,107 S	12/2007	Van Handel et al.	
D512,901 S	12/2005	Haber	D569,226 S	5/2008	Brewster et al.	
6,993,943 B1	2/2006	Chang	D573,871 S	7/2008	Nave et al.	

* cited by examiner

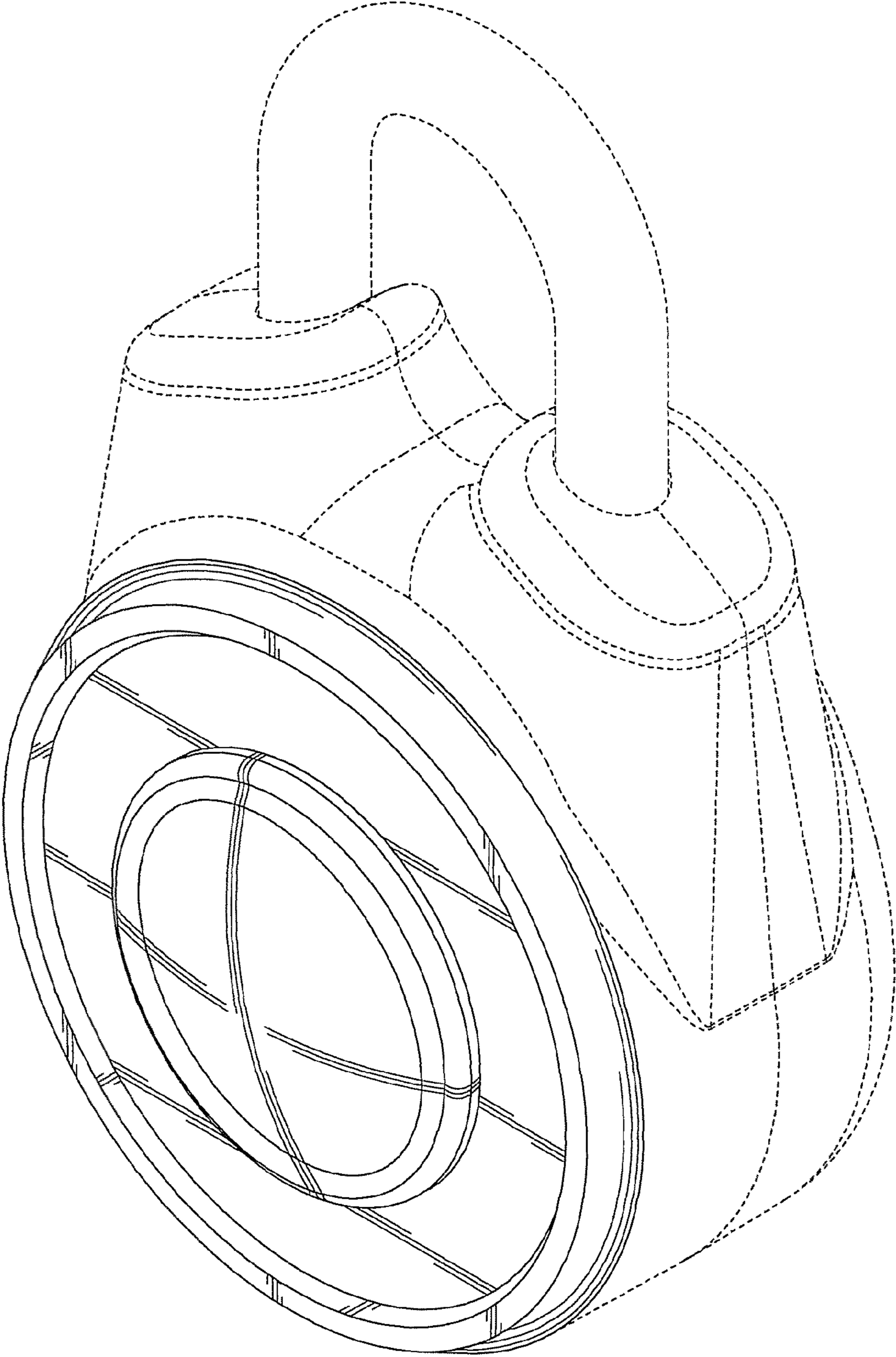


FIG. 1

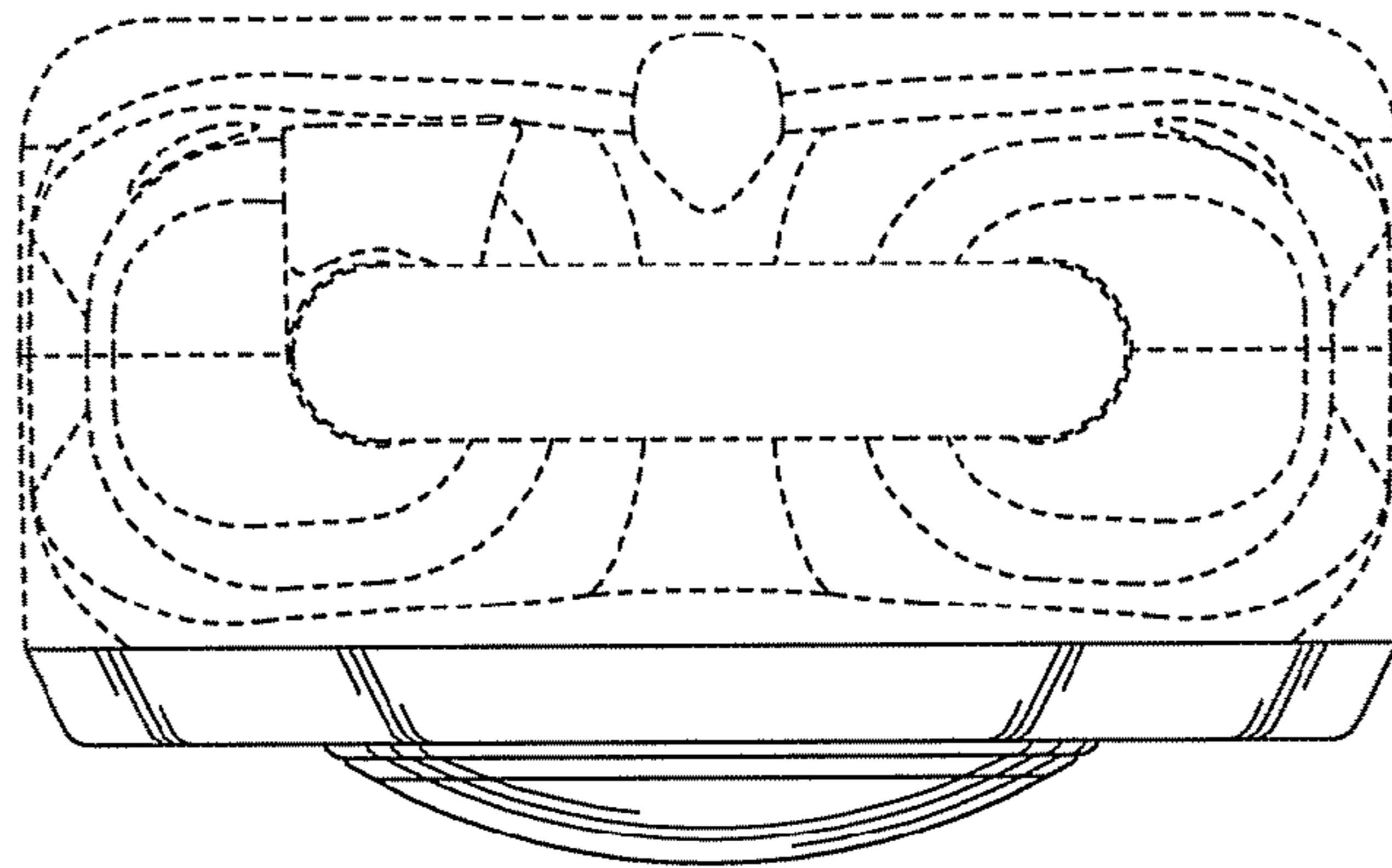


FIG. 2

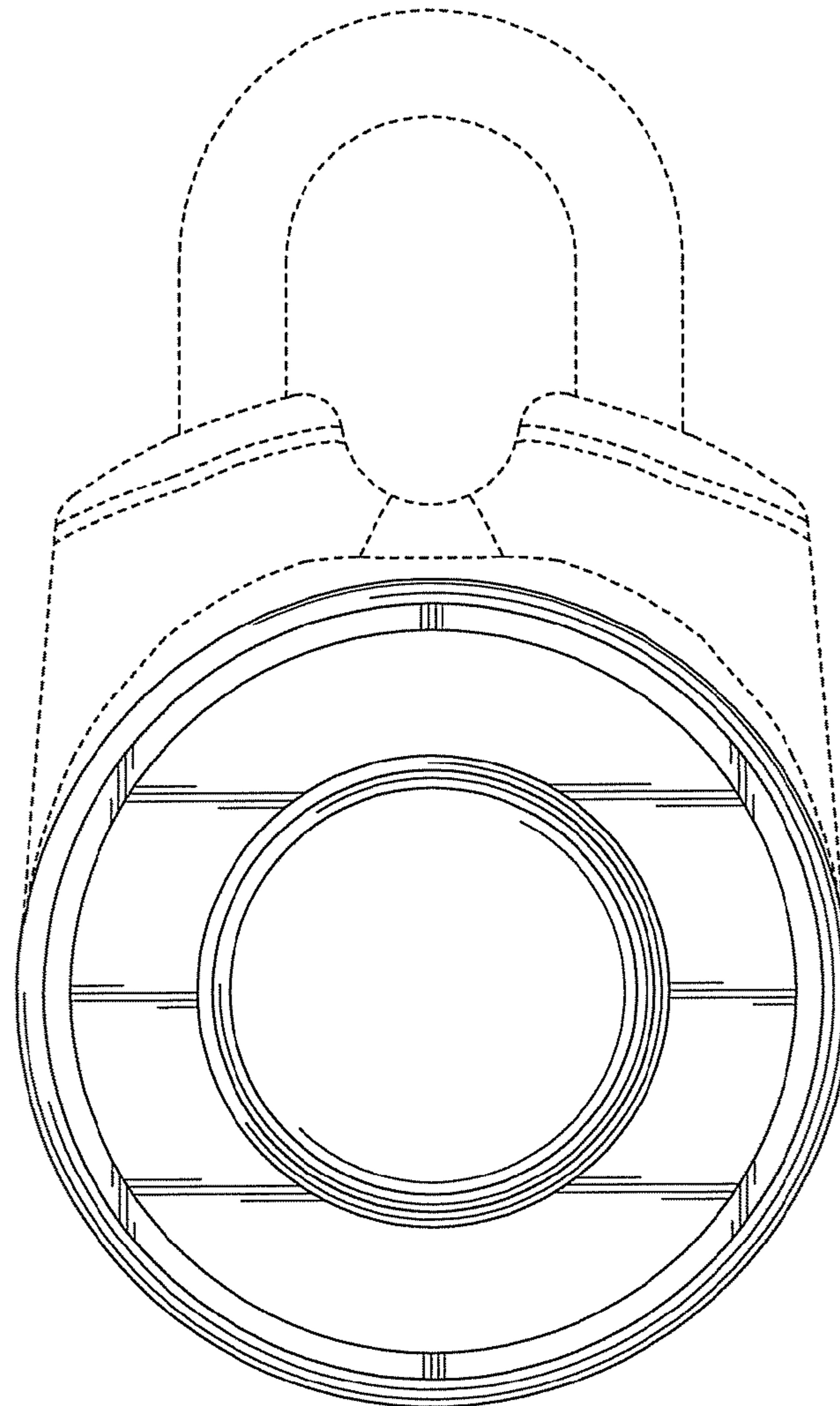


FIG. 3

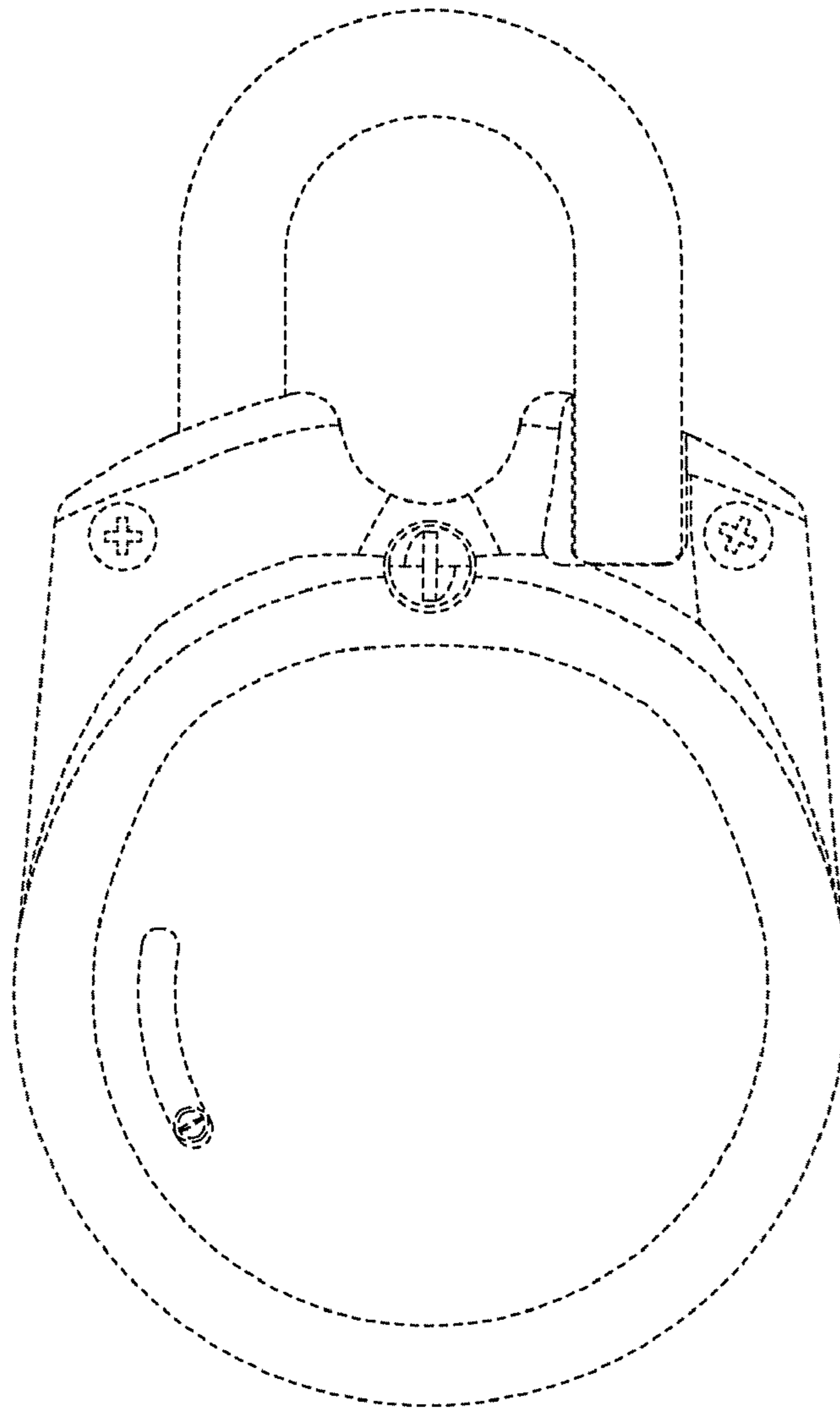


FIG. 4

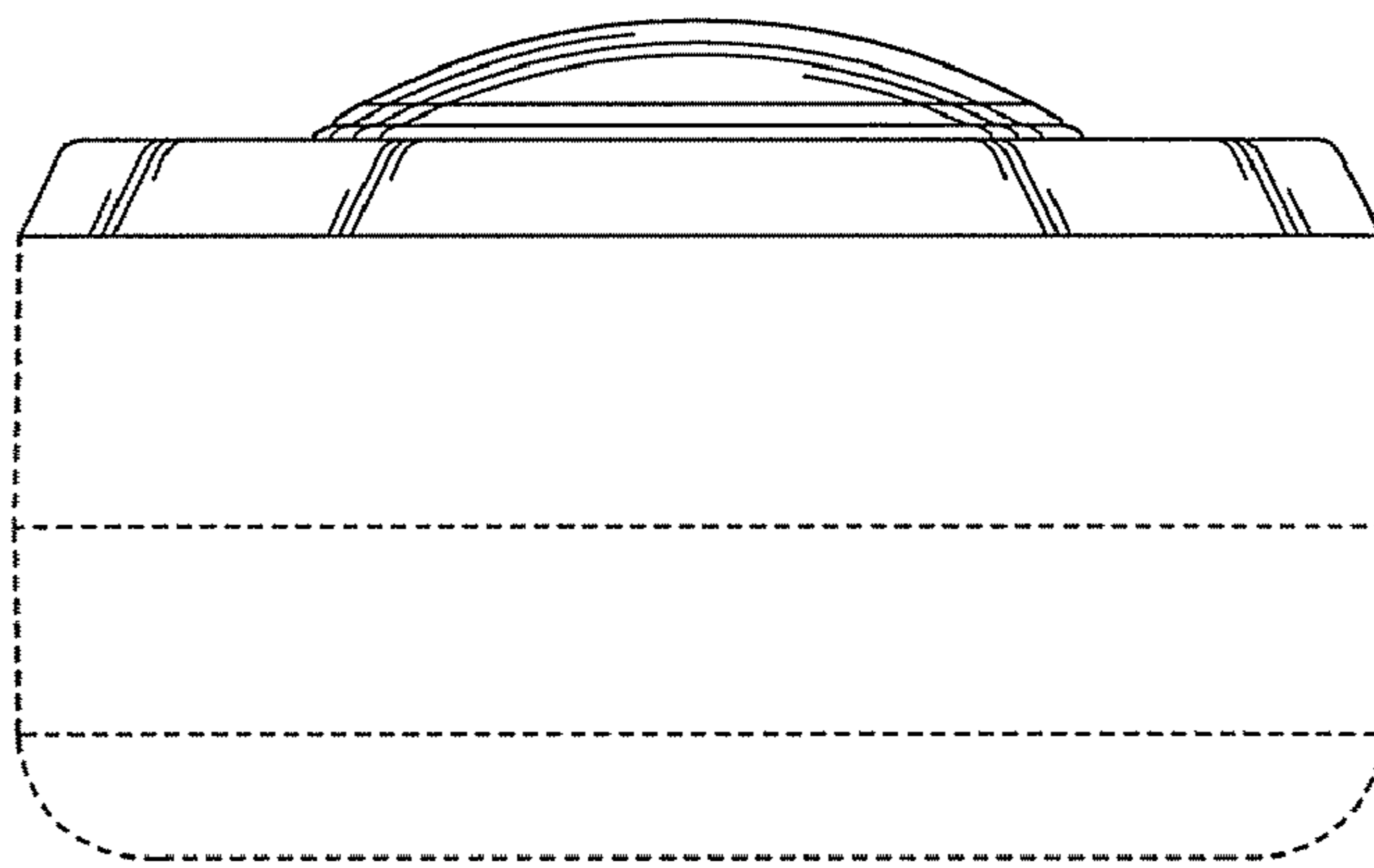


FIG. 5

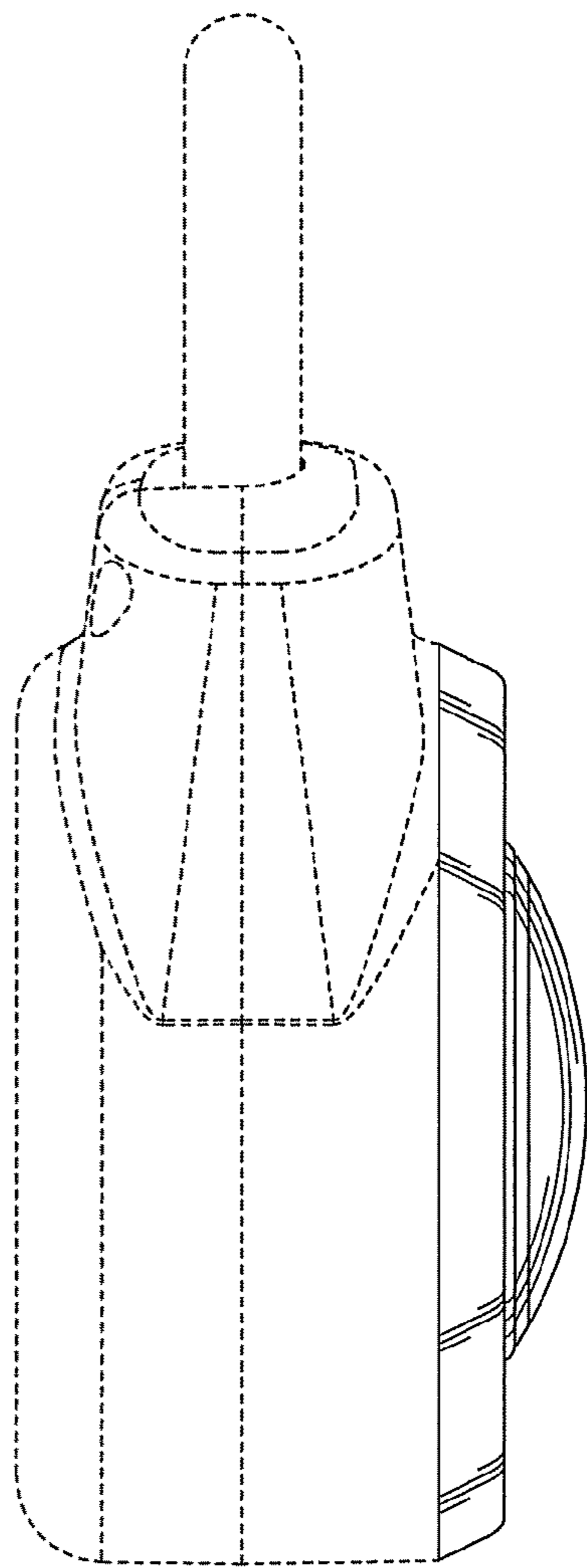


FIG. 6

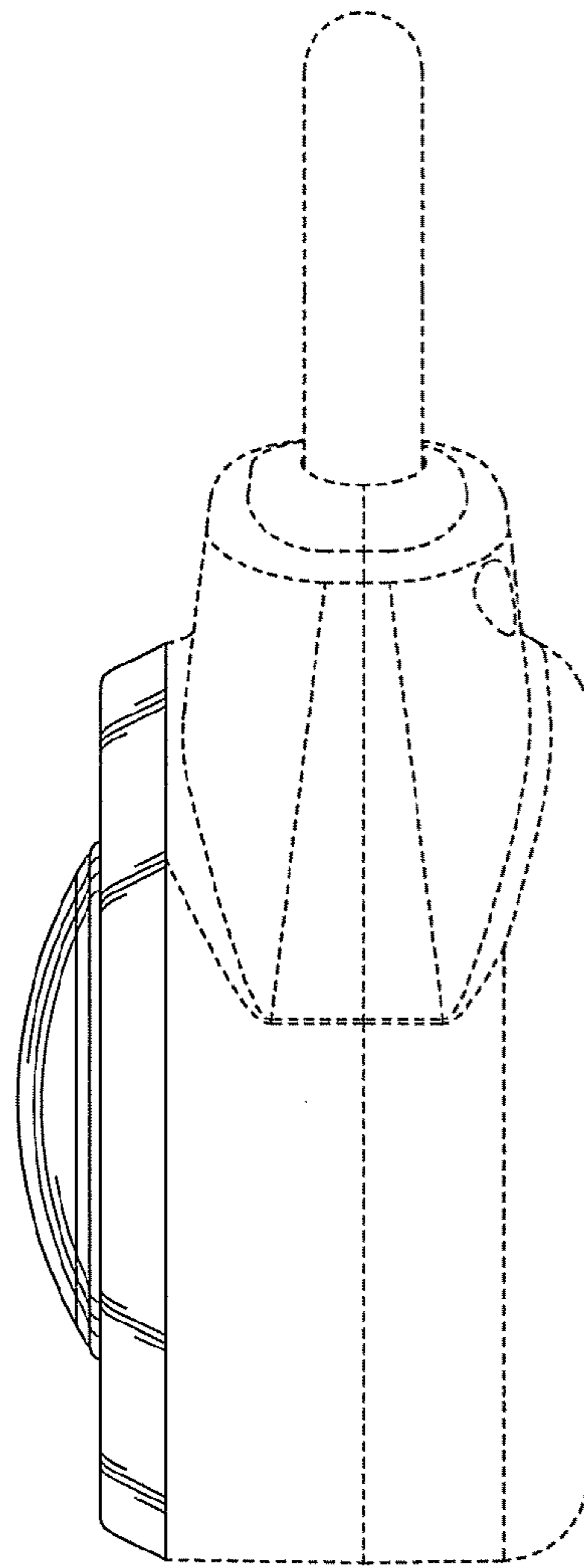


FIG. 7