



US00D638278S

(12) **United States Design Patent**  
**Plato**

(10) **Patent No.:** **US D638,278 S**

(45) **Date of Patent:** **\*\* May 24, 2011**

(54) **LOCK**

(75) Inventor: **Lea Marie Plato**, Milwaukee, WI (US)

(73) Assignee: **Master Lock Company LLC**, Oak Creek, WI (US)

(\*\*) Term: **14 Years**

(21) Appl. No.: **29/364,561**

(22) Filed: **Jun. 25, 2010**

(51) **LOC (9) Cl.** ..... **08-07**

(52) **U.S. Cl.** ..... **D8/334**

(58) **Field of Classification Search** ..... D8/330-347;  
70/14, 20-28, 31, 32, 39, 41, 52-56, 86,  
70/314, 423, DIG. 43, DIG. 56, 38 A, DIG. 3,  
70/DIG. 4

See application file for complete search history.

(56) **References Cited**

U.S. PATENT DOCUMENTS

D99,554	S *	5/1936	Slaymaker	.....	D8/334
3,256,723	A *	6/1966	Lehman	.....	70/25
4,226,100	A *	10/1980	Hampton et al.	.....	70/51
D451,002	S *	11/2001	Lai	.....	D8/334
D458,530	S *	6/2002	Grosz et al.	.....	D8/334
6,434,981	B2 *	8/2002	Fantl et al.	.....	70/25
D471,429	S *	3/2003	Williams et al.	.....	D8/334
6,718,803	B2 *	4/2004	Knoll	.....	70/26

6,993,943	B1 *	2/2006	Chang	.....	70/38 B
D518,357	S *	4/2006	Kearns et al.	.....	D8/334
D587,983	S *	3/2009	Zorc et al.	.....	D8/334
2008/0011027	A1 *	1/2008	Yu	.....	70/24
2010/0326143	A1 *	12/2010	Loughlin et al.	.....	70/24

\* cited by examiner

*Primary Examiner* — Prabhakar Deshmukh

(74) *Attorney, Agent, or Firm* — Calfee, Halter & Griswold LLP

(57) **CLAIM**

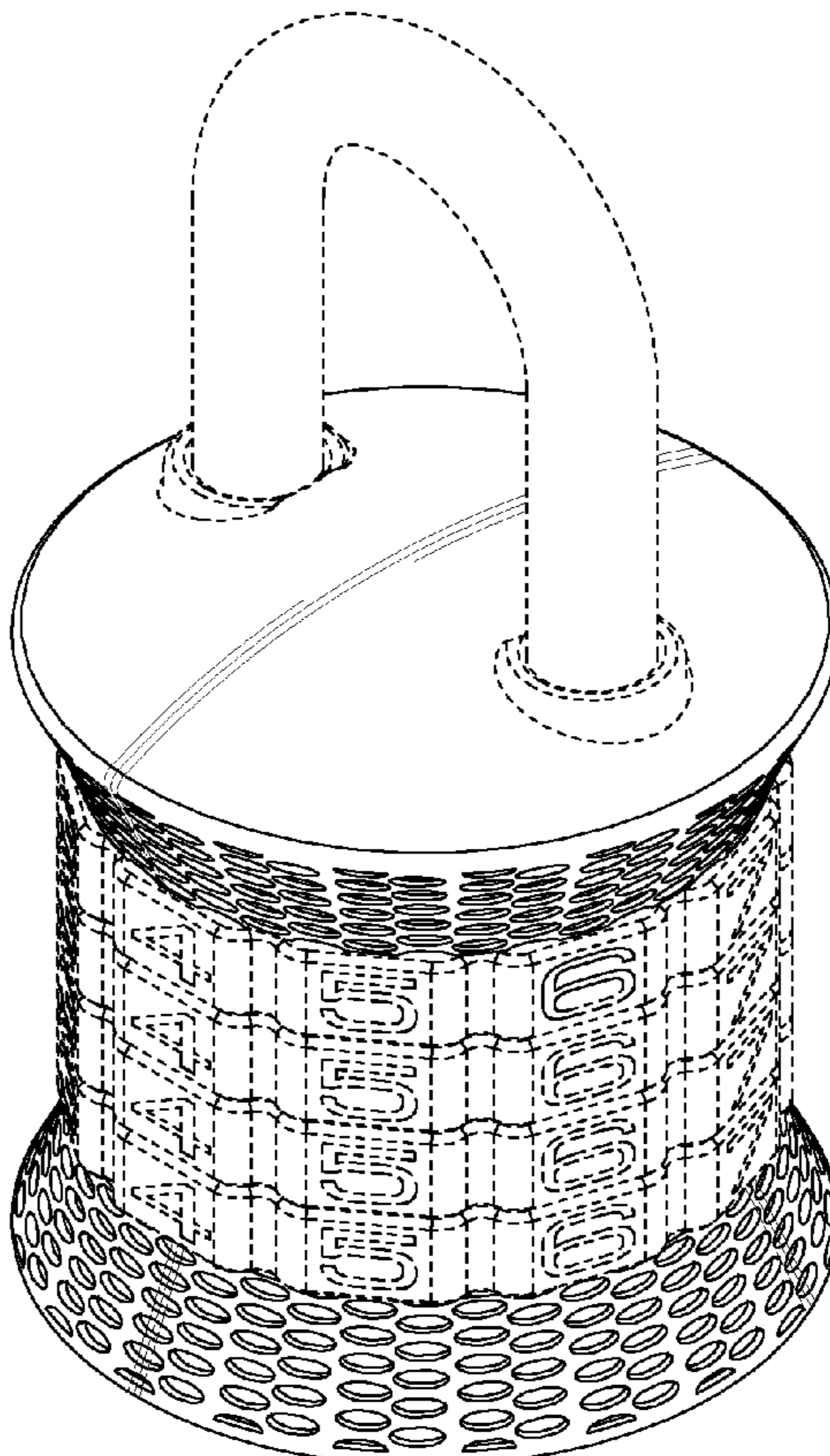
I claim the ornamental design for a lock, as shown and described.

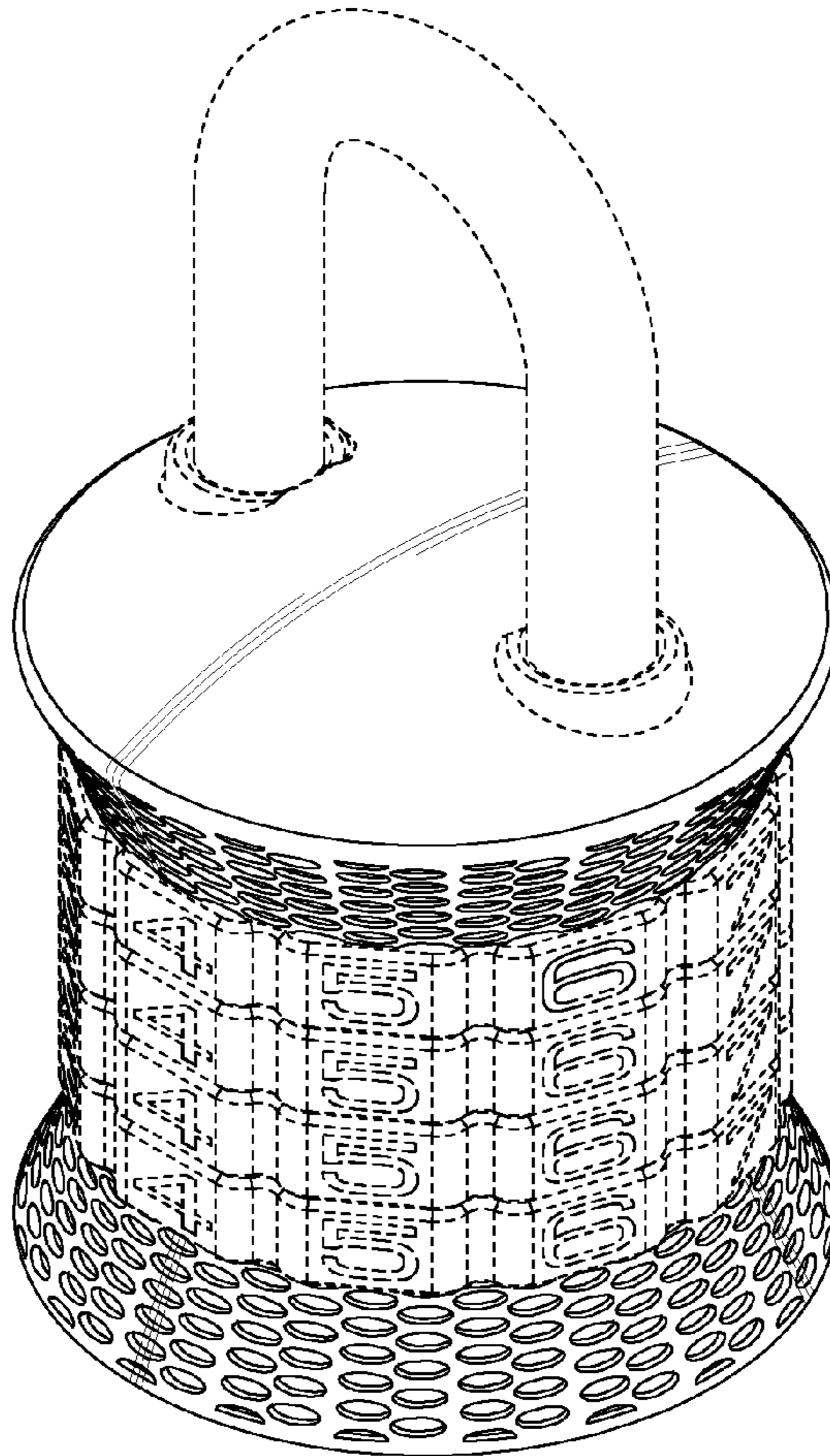
**DESCRIPTION**

FIG. 1 is a perspective view of a lock showing my new design; FIG. 2 is a top plan view thereof; FIG. 3 is a bottom plan view thereof; FIG. 4 is a front elevational view thereof; FIG. 5 is a rear elevational view thereof; FIG. 6 is a right side elevational view thereof; and, FIG. 7 is a left side elevational view thereof.

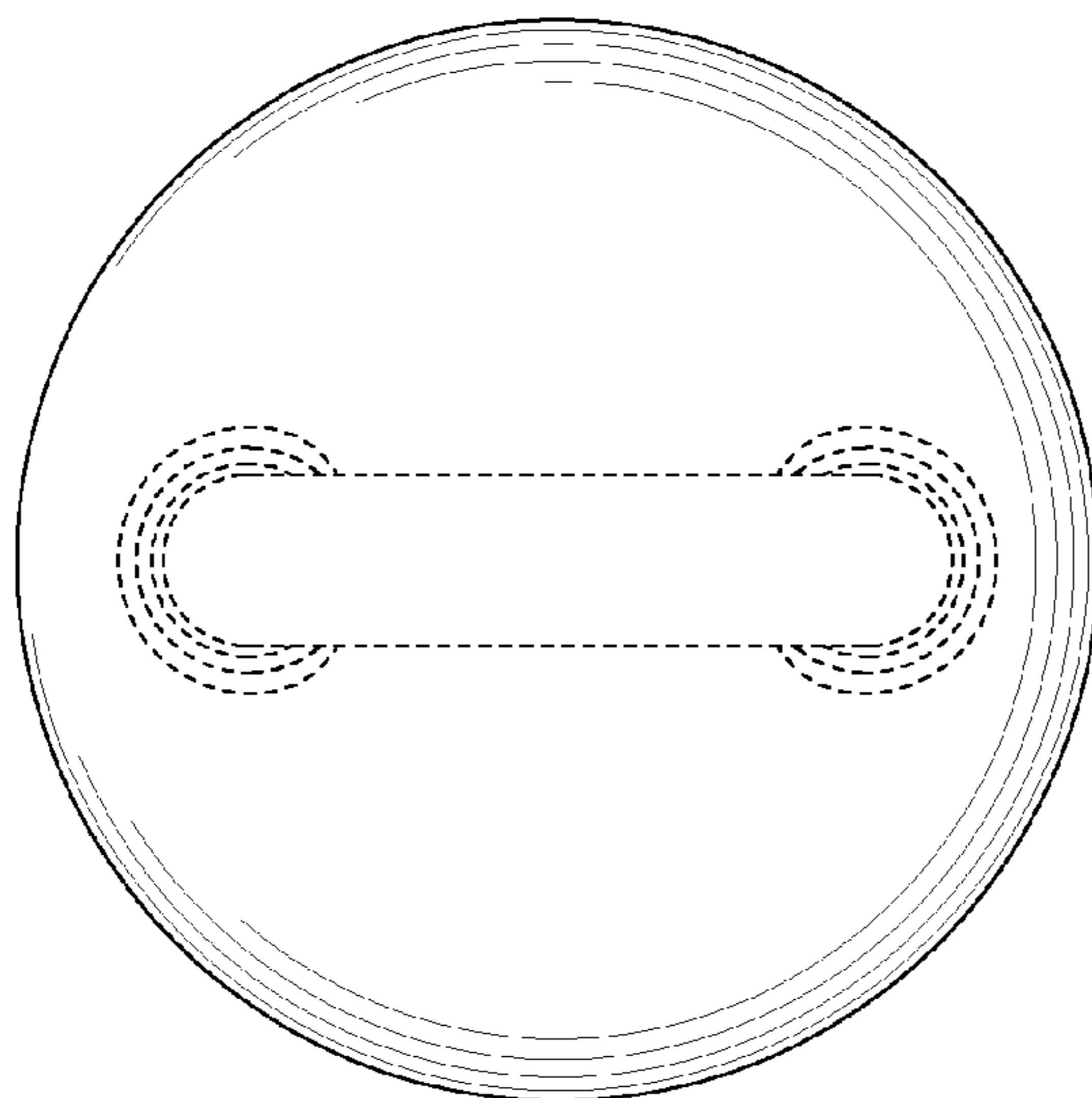
The broken lines immediately adjacent to the shaded areas represent the boundaries of the claimed design. Other broken lines represent the portions of the design form no part of the claimed design. None of the broken lines form part of the claimed design.

**1 Claim, 3 Drawing Sheets**

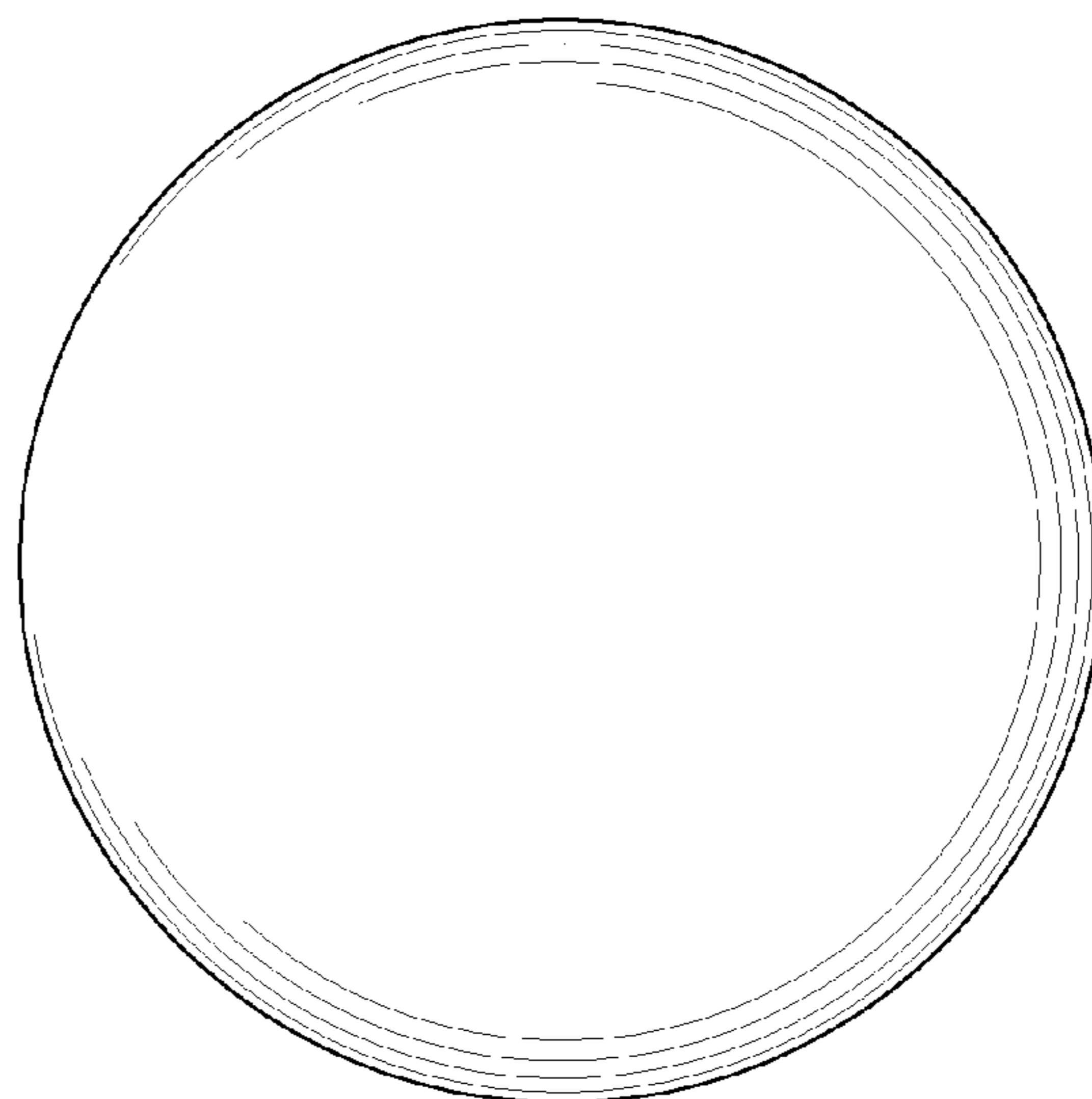




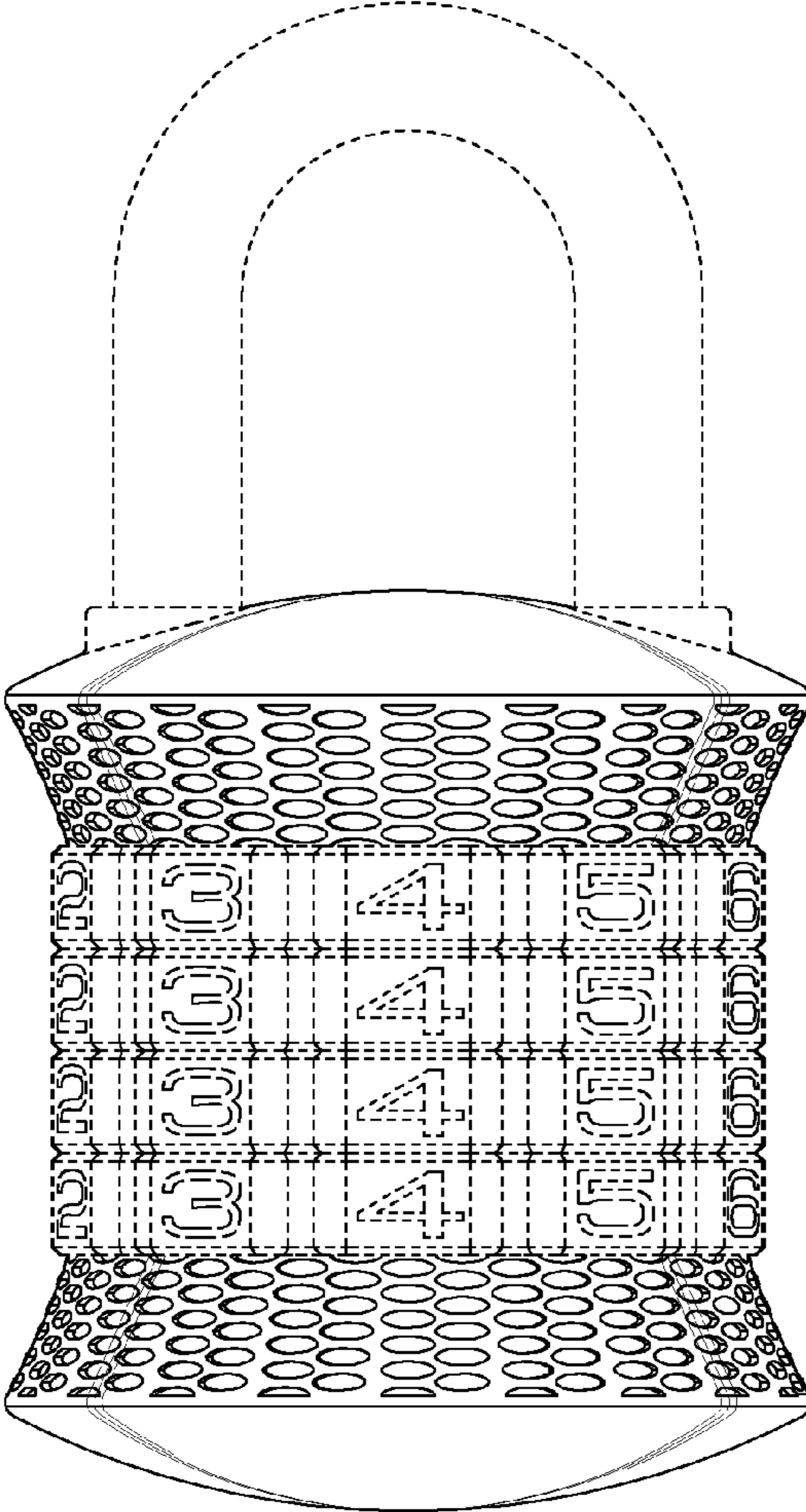
**FIG. 1**



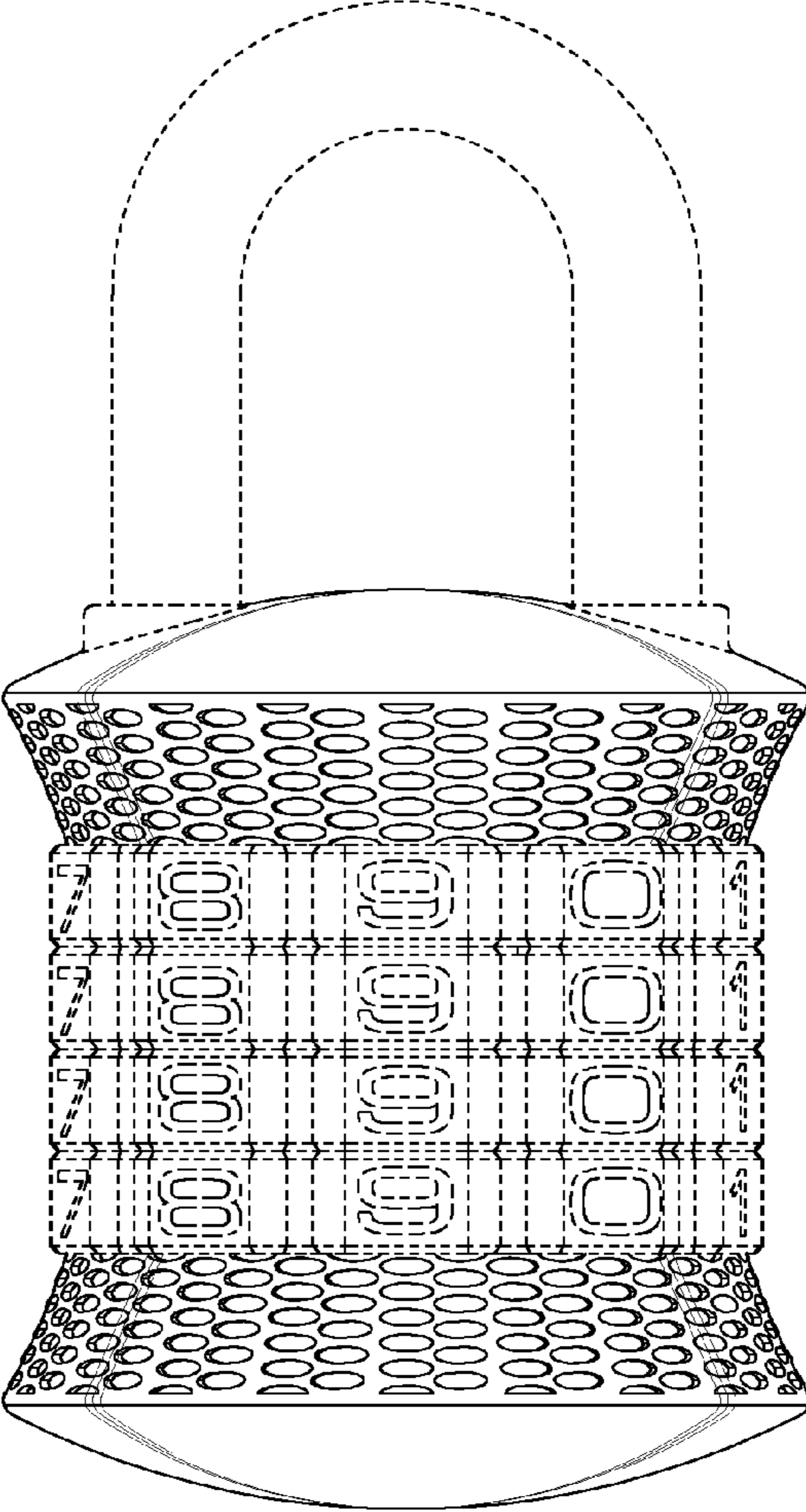
**FIG. 2**



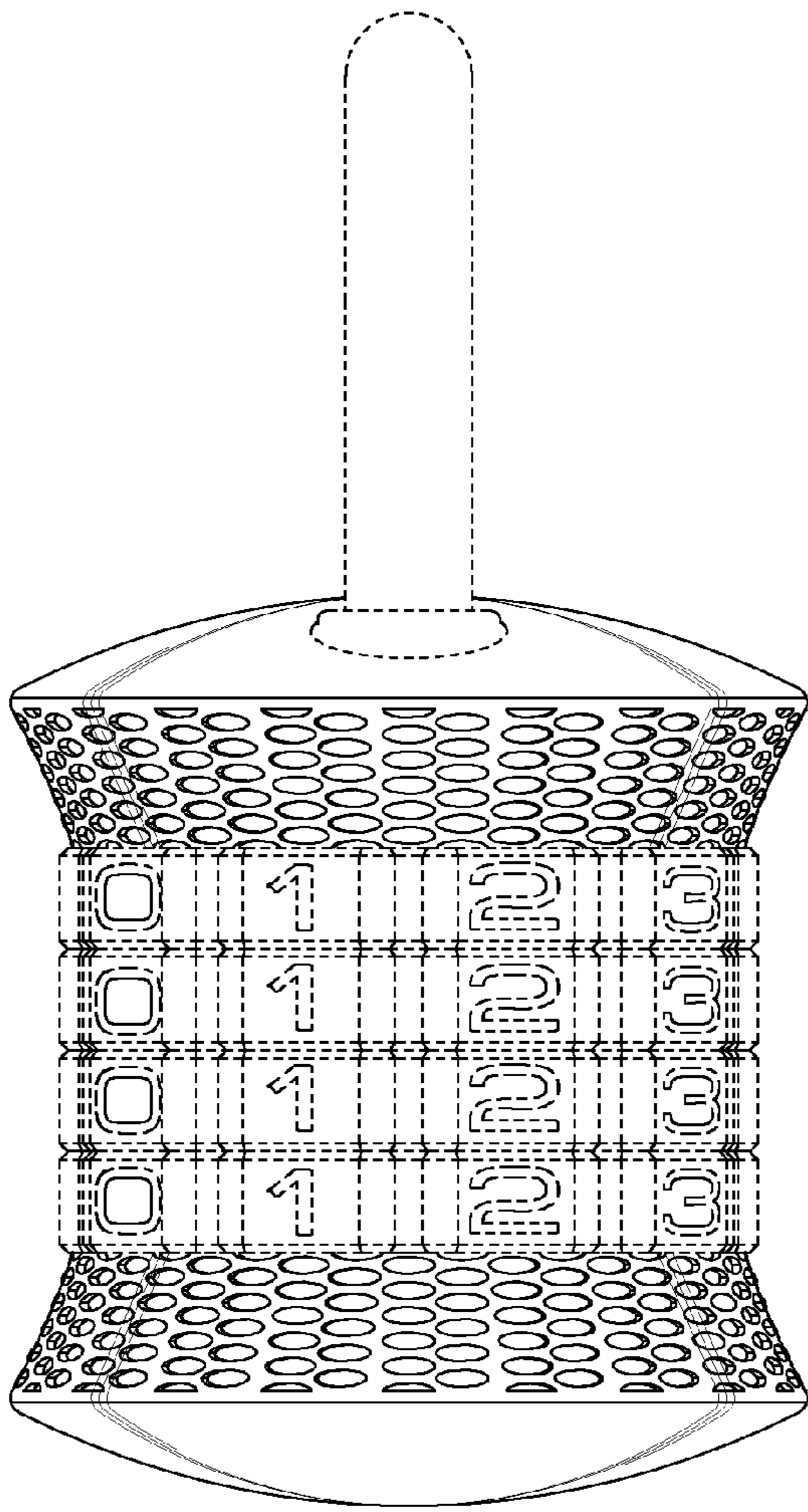
**FIG. 3**



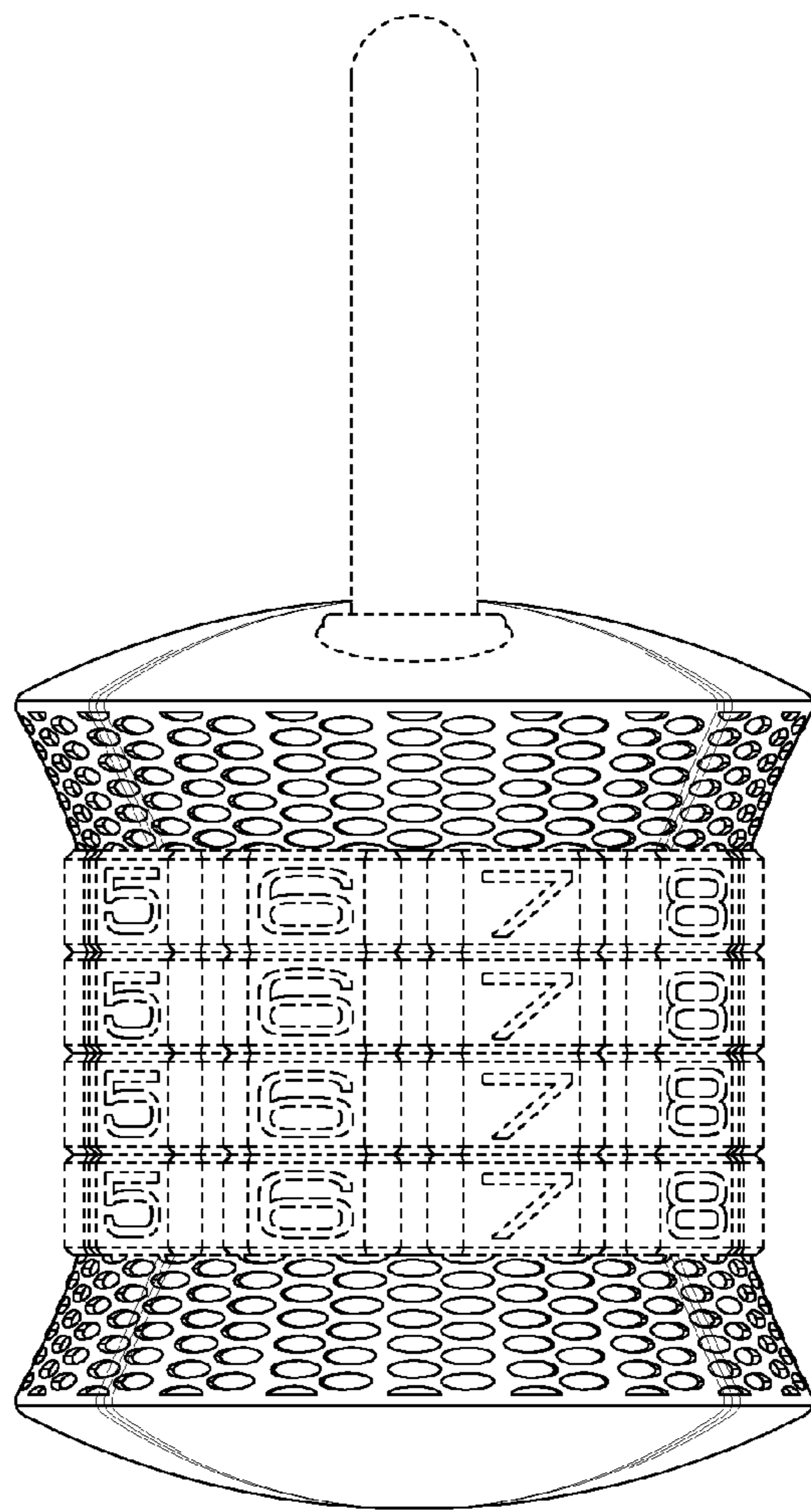
**FIG. 4**



**FIG. 5**



**FIG. 6**



**FIG. 7**