



US00D638277S

(12) **United States Design Patent**  
**Yang**

(10) **Patent No.:** **US D638,277 S**

(45) **Date of Patent:** **\*\* May 24, 2011**

(54) **LOCK BOX**

(76) Inventor: **Yao Kun Yang**, Chang-Hua County  
(TW)

(\*\*) Term: **14 Years**

(21) Appl. No.: **29/379,655**

(22) Filed: **Nov. 23, 2010**

(51) **LOC (9) Cl.** ..... **08-07**

(52) **U.S. Cl.** ..... **D8/333**

(58) **Field of Classification Search** ..... D8/330-348;  
70/20, 24, 51, 52, 55, 56, 58, 63, 18, 401,  
70/429, 430, DIG. 56, 57, 57.1, 183, 184,  
70/262, 465, 466, DIG. 3, DIG. 4, DIG. 8,  
70/DIG. 43

See application file for complete search history.

(56) **References Cited**

**U.S. PATENT DOCUMENTS**

4,468,940	A *	9/1984	Davis	70/63
4,532,783	A *	8/1985	Maurice	70/63
4,609,780	A *	9/1986	Clark	379/102.06
4,727,368	A *	2/1988	Larson et al.	340/5.6
5,046,339	A *	9/1991	Krell	70/55
D417,604	S *	12/1999	Wasson et al.	D8/343
D472,129	S *	3/2003	Hill et al.	D8/333

D488,048	S *	4/2004	Wasson et al.	D8/333
D495,234	S *	8/2004	Fisher et al.	D8/333
D499,634	S *	12/2004	Dolan et al.	D8/333
D539,633	S *	4/2007	Van Handel	D8/333
D615,842	S *	5/2010	Freeman	D8/333
D622,129	S *	8/2010	Spivey et al.	D8/333

\* cited by examiner

*Primary Examiner* — Prabhakar Deshmukh

(57) **CLAIM**

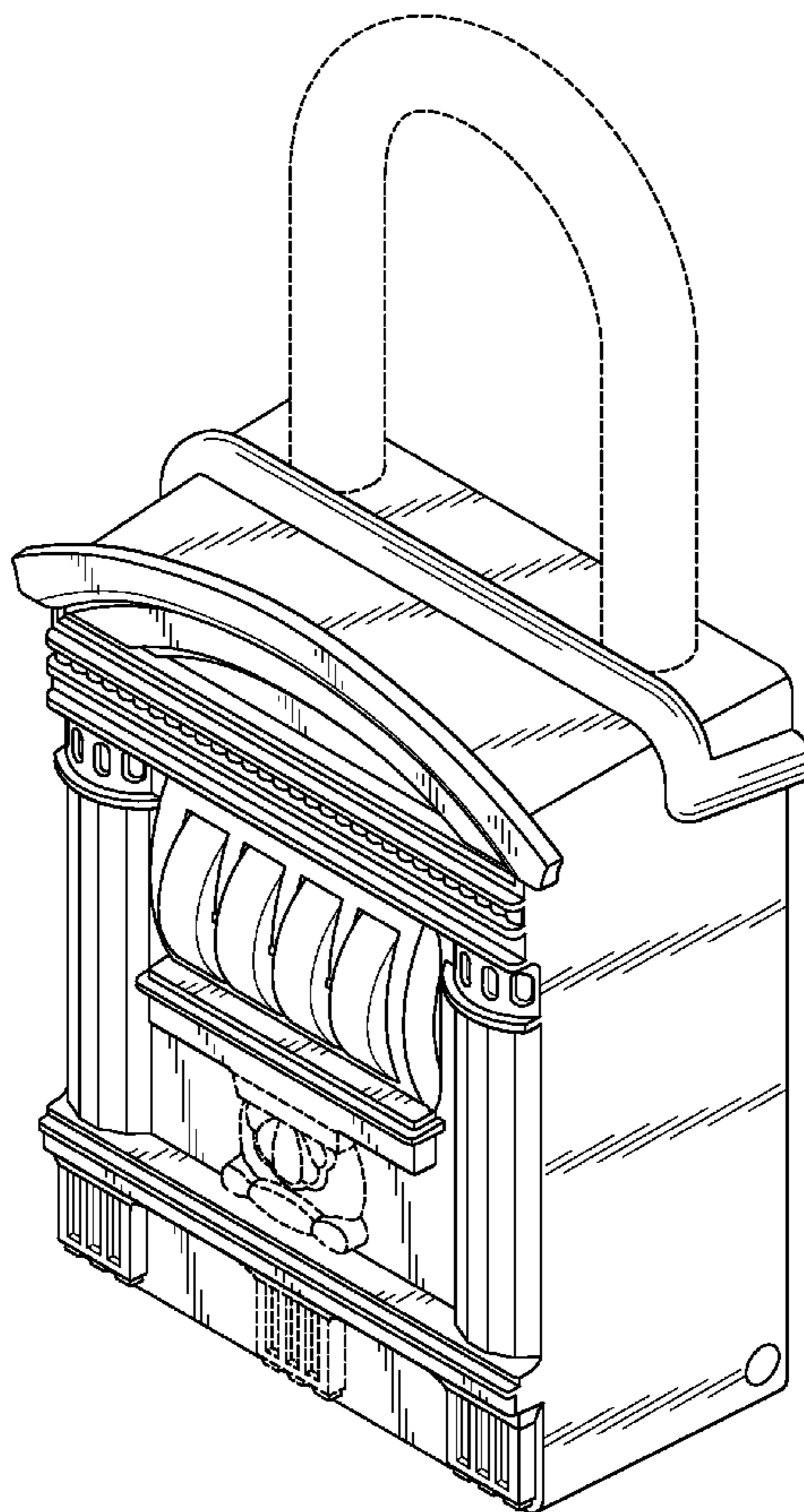
The ornamental design for a lock box, as shown and described.

**DESCRIPTION**

FIG. 1 is a perspective view of a lock box showing my new design;  
FIG. 2 is a front elevational view of FIG. 1;  
FIG. 3 is a rear elevational view of FIG. 1;  
FIG. 4 is a left side view of FIG. 1;  
FIG. 5 is a right side view of FIG. 1;  
FIG. 6 is a top plan view of FIG. 1; and,  
FIG. 7 is a bottom plan view of FIG. 1.

The ornamental design which is claimed is shown in solid lines in the drawings. The broken lines in the drawings are for illustrative purposes only and form no part of the claimed design.

**1 Claim, 5 Drawing Sheets**



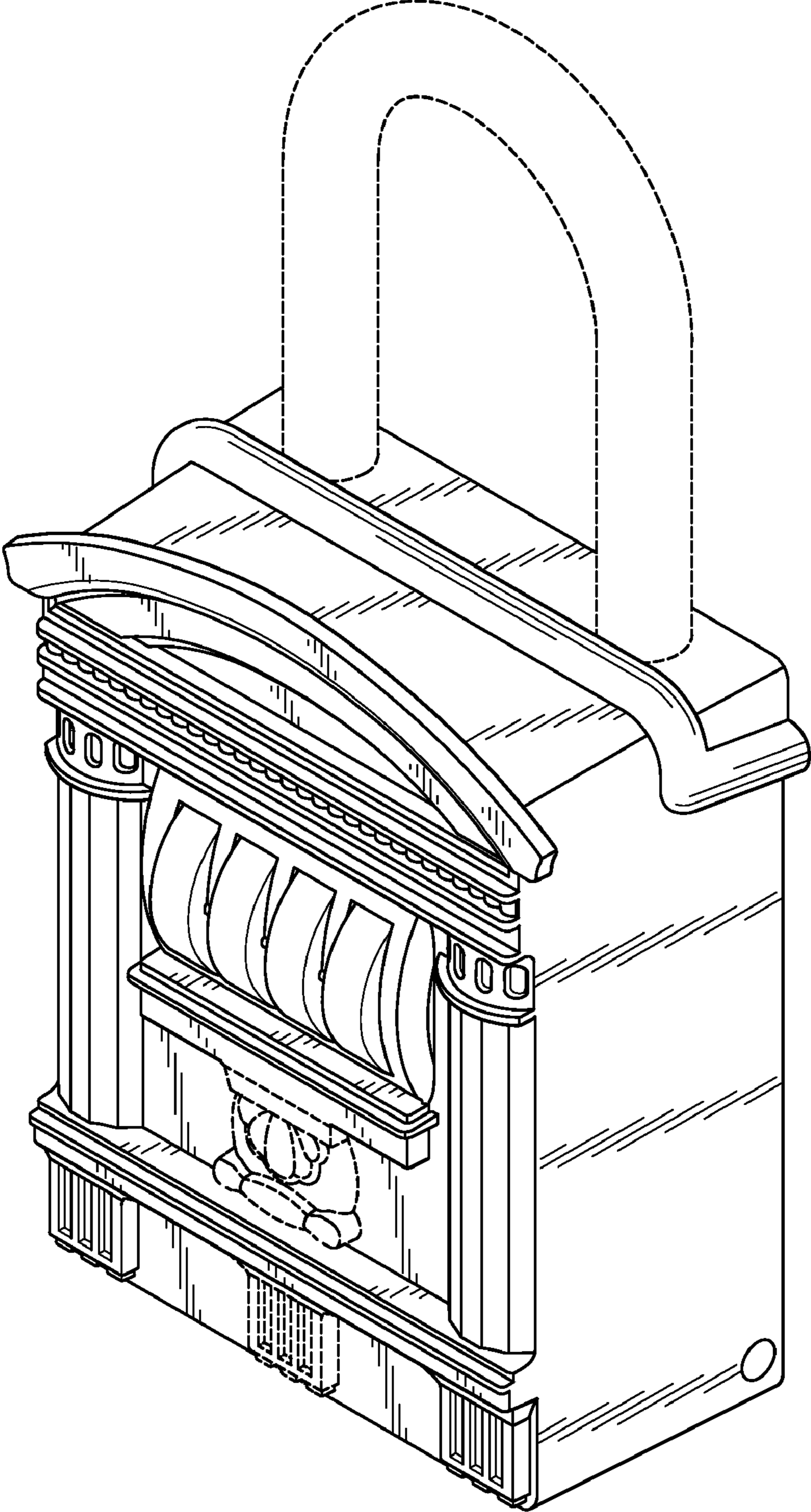


FIG. 1

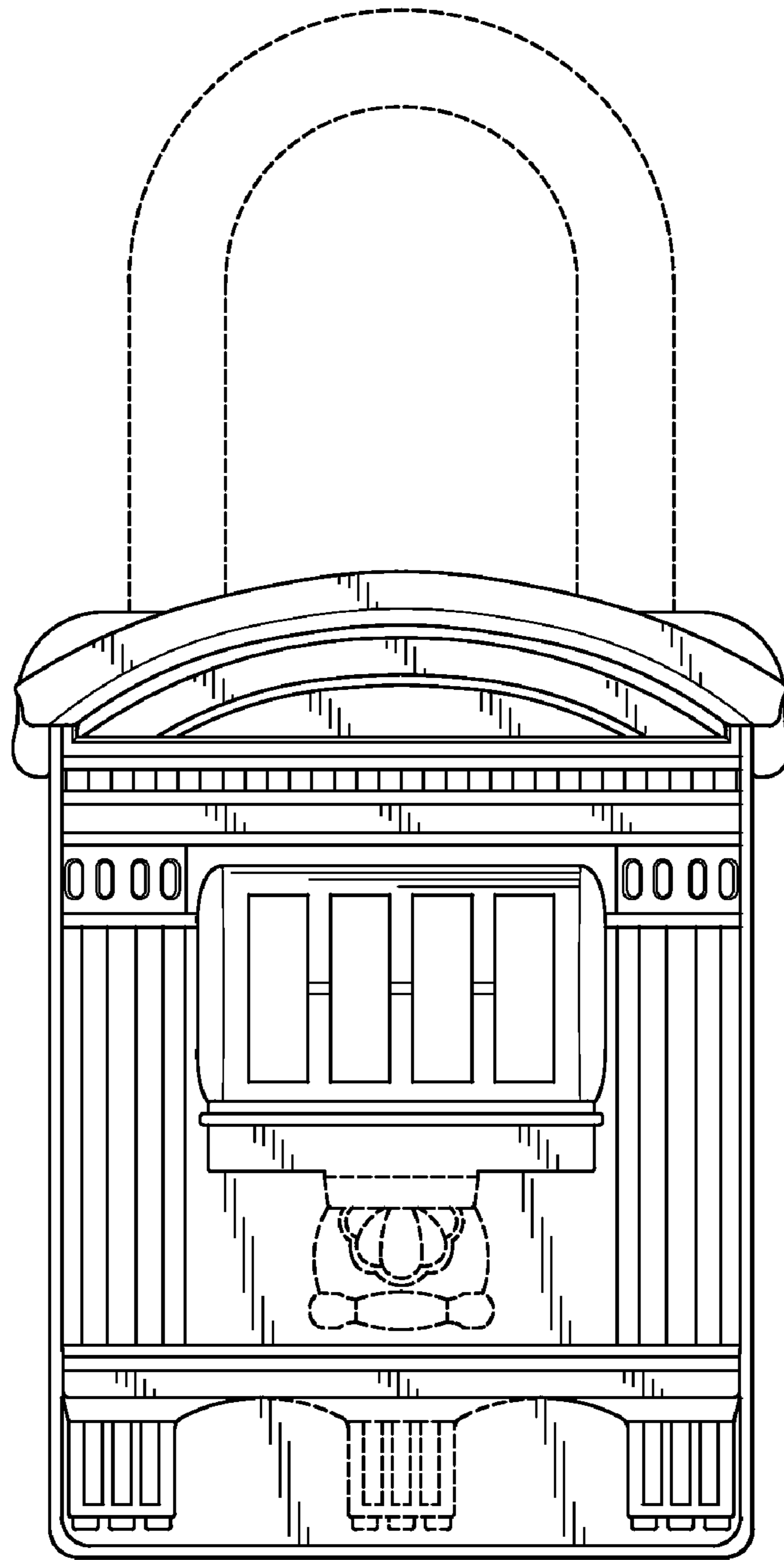


FIG. 2

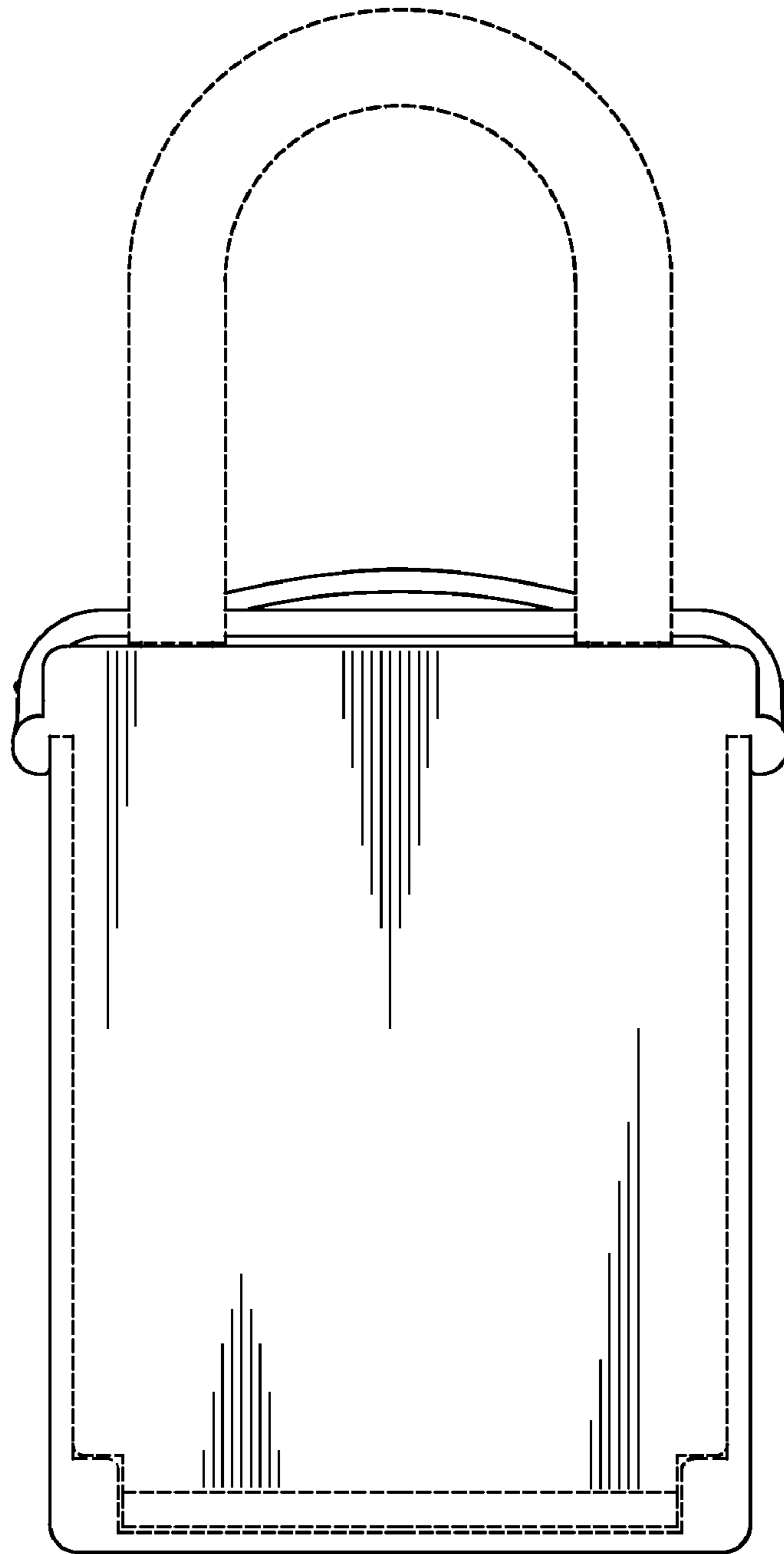


FIG. 3

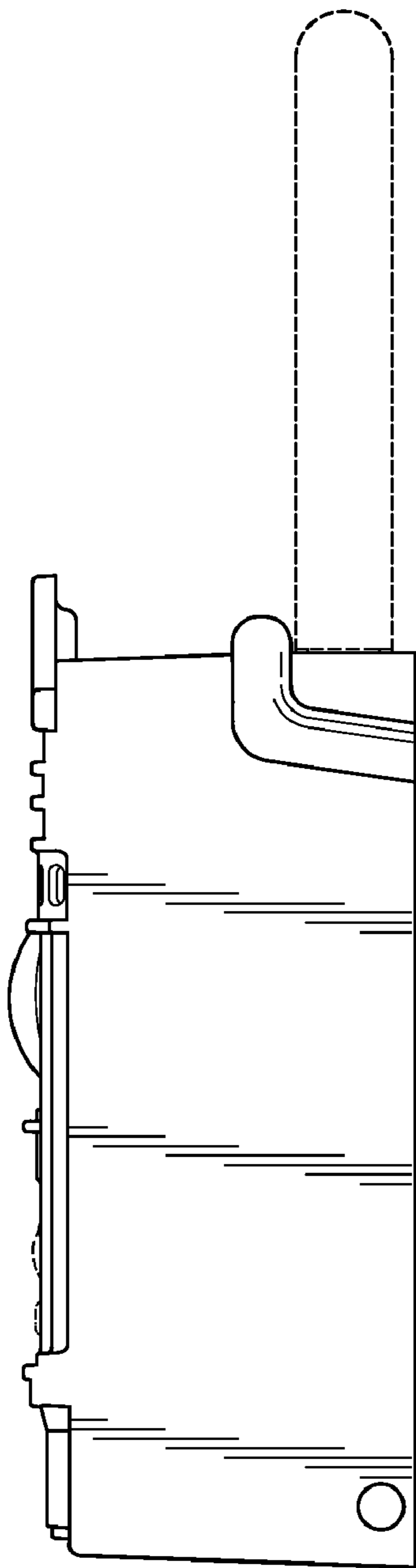


FIG. 4

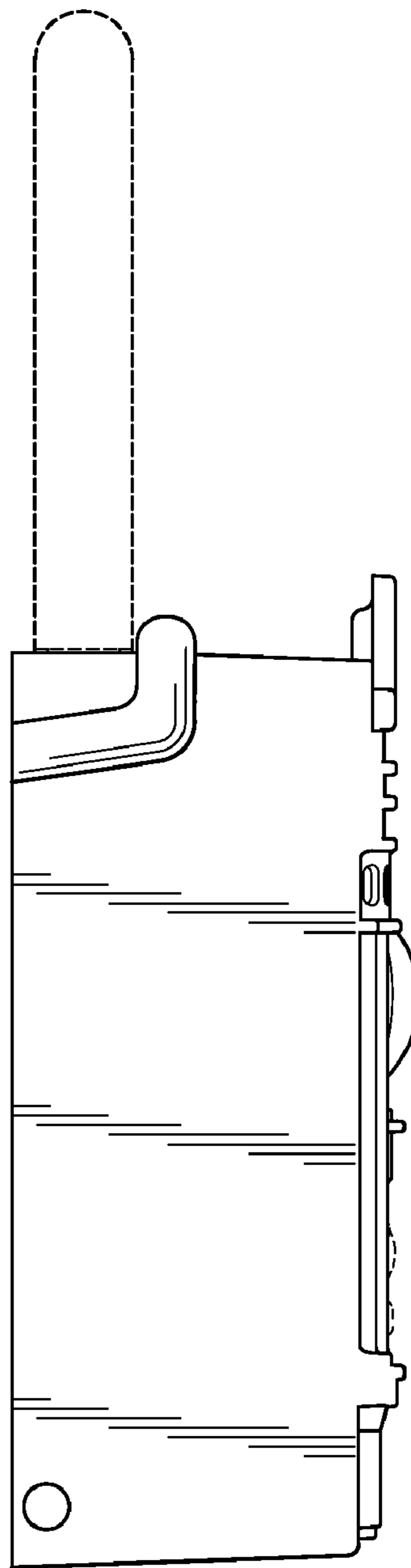


FIG. 5

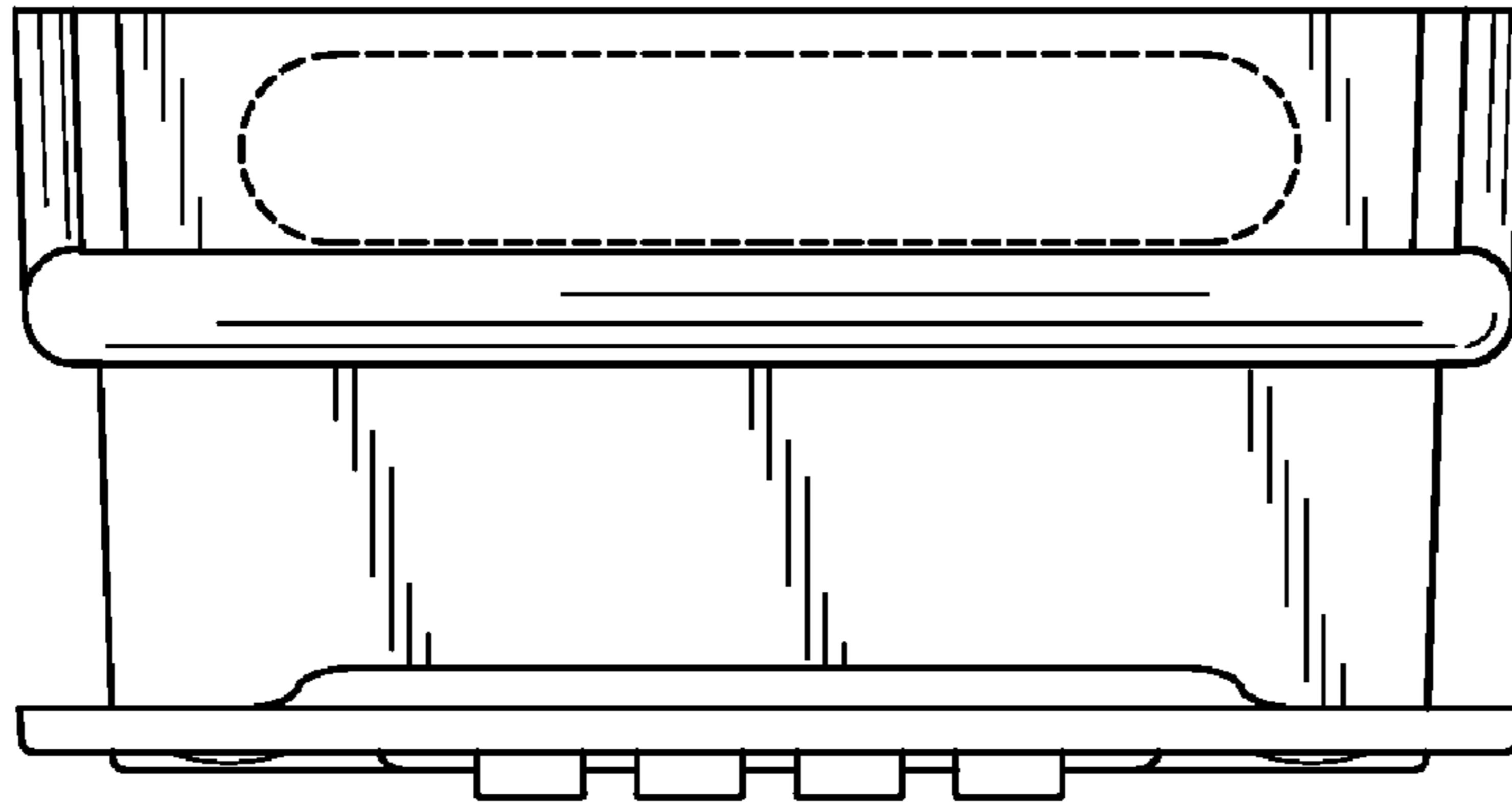


FIG. 6

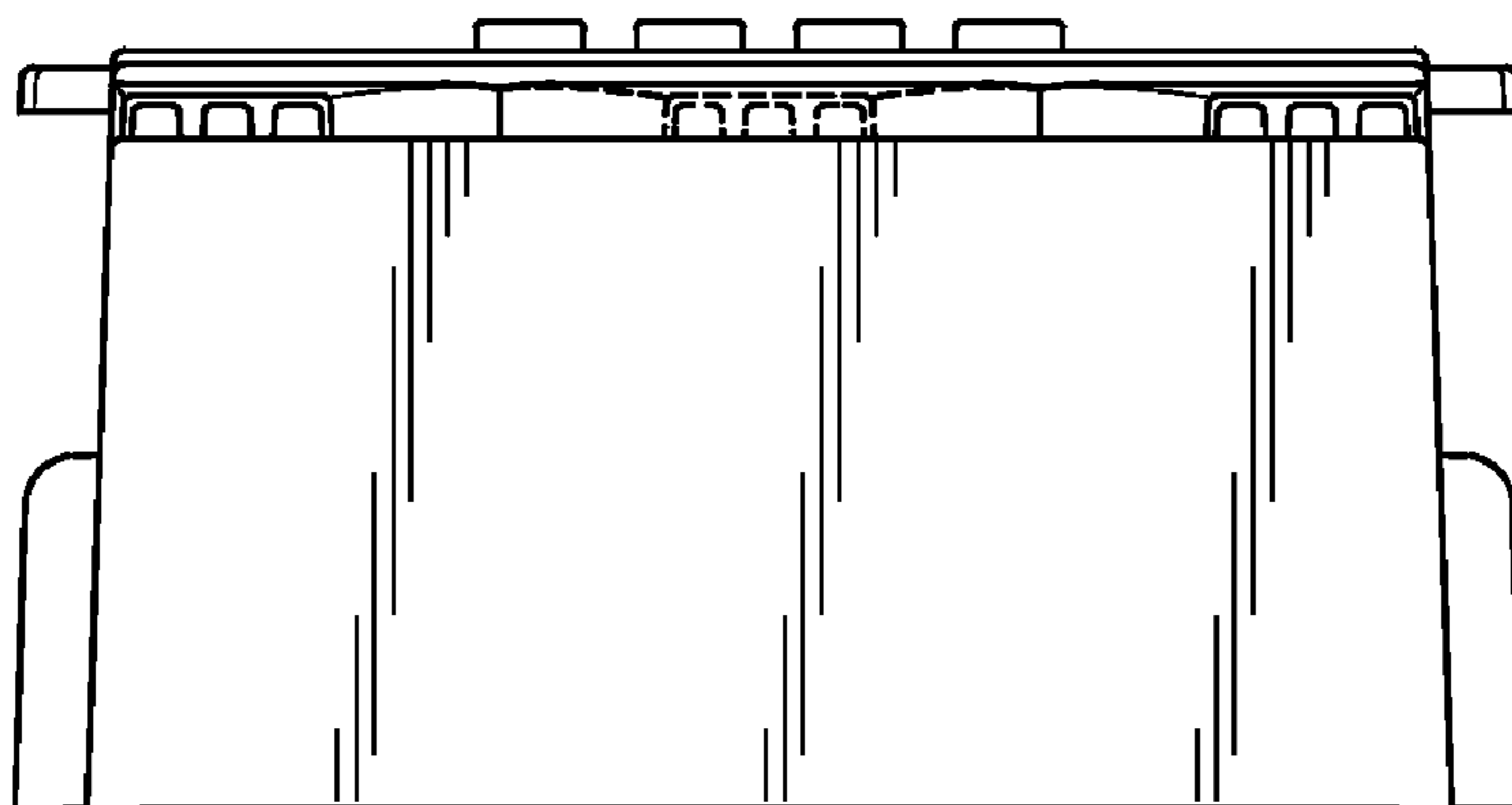


FIG. 7