



US00D638276S

(12) **United States Design Patent**  
**Tonizzo et al.**

(10) **Patent No.:** **US D638,276 S**

(45) **Date of Patent:** **\*\* May 24, 2011**

(54) **LATCH**

(75) Inventors: **Davide Tonizzo**, Toronto (CA);  
**Christopher Weiss**, Quincy, IL (US)

(73) Assignee: **The Knapheide Manufacturing Company**, Quincy, IL (US)

(\*\*) Term: **14 Years**

(21) Appl. No.: **29/367,473**

(22) Filed: **Aug. 9, 2010**

(51) **LOC (9) Cl.** ..... **08-07**

(52) **U.S. Cl.** ..... **D8/331**

(58) **Field of Classification Search** ..... D8/330,  
D8/331, 335, 339, 302, 343; 70/141, 208;  
292/336.3, 169, 358, 359, 170, 175, 165,  
292/224, 140-145, 240-242, DIG. 14, DIG. 30,  
292/DIG. 31, DIG. 4

See application file for complete search history.

(56) **References Cited**

U.S. PATENT DOCUMENTS

4,683,736	A *	8/1987	Weinerman et al.	70/208
4,746,478	A *	5/1988	Fujisaki et al.	264/53
D303,617	S *	9/1989	Russell et al.	D8/306
D303,619	S *	9/1989	Russell et al.	D8/313
5,934,716	A *	8/1999	Koveal et al.	292/175
5,984,383	A *	11/1999	Parikh et al.	292/121
D433,614	S *	11/2000	Gisiger	D8/331
D465,400	S *	11/2002	Moore et al.	D8/331
D487,560	S *	3/2004	Magnusson	D8/331

D536,949	S *	2/2007	Weinerman et al.	D8/331
D570,669	S *	6/2008	Le et al.	D8/331
D590,694	S *	4/2009	Stuckey	D8/331

\* cited by examiner

*Primary Examiner* — Prabhakar Deshmukh

(74) *Attorney, Agent, or Firm* — Leydig, Voit & Mayer, Ltd.

(57) **CLAIM**

We claim the ornamental design for a latch, as shown and described.

**DESCRIPTION**

FIG. 1 is a perspective view of an embodiment of a latch according to the present invention.

FIG. 2 is a front elevational view of the latch of FIG. 1.

FIG. 3 is a first end elevational view of the latch of FIG. 1.

FIG. 4 is a second end view, opposite the first end, of the latch of FIG. 1.

FIG. 5 is a top plan view of the latch of FIG. 1.

FIG. 6 is a bottom plan view of the latch of FIG. 1.

FIG. 7 is a perspective view of another embodiment of a latch according to the present invention.

FIG. 8 is a front elevational view of the latch of FIG. 7.

FIG. 9 is a first end elevational view of the latch of FIG. 7.

FIG. 10 is a second end view, opposite the first end, of the latch of FIG. 7.

FIG. 11 is a top plan view of the latch of FIG. 7; and,

FIG. 12 is a bottom plan view of the latch of FIG. 7.

The broken lines environment is for illustrative purpose only and forms no part of the claimed design.

**1 Claim, 4 Drawing Sheets**

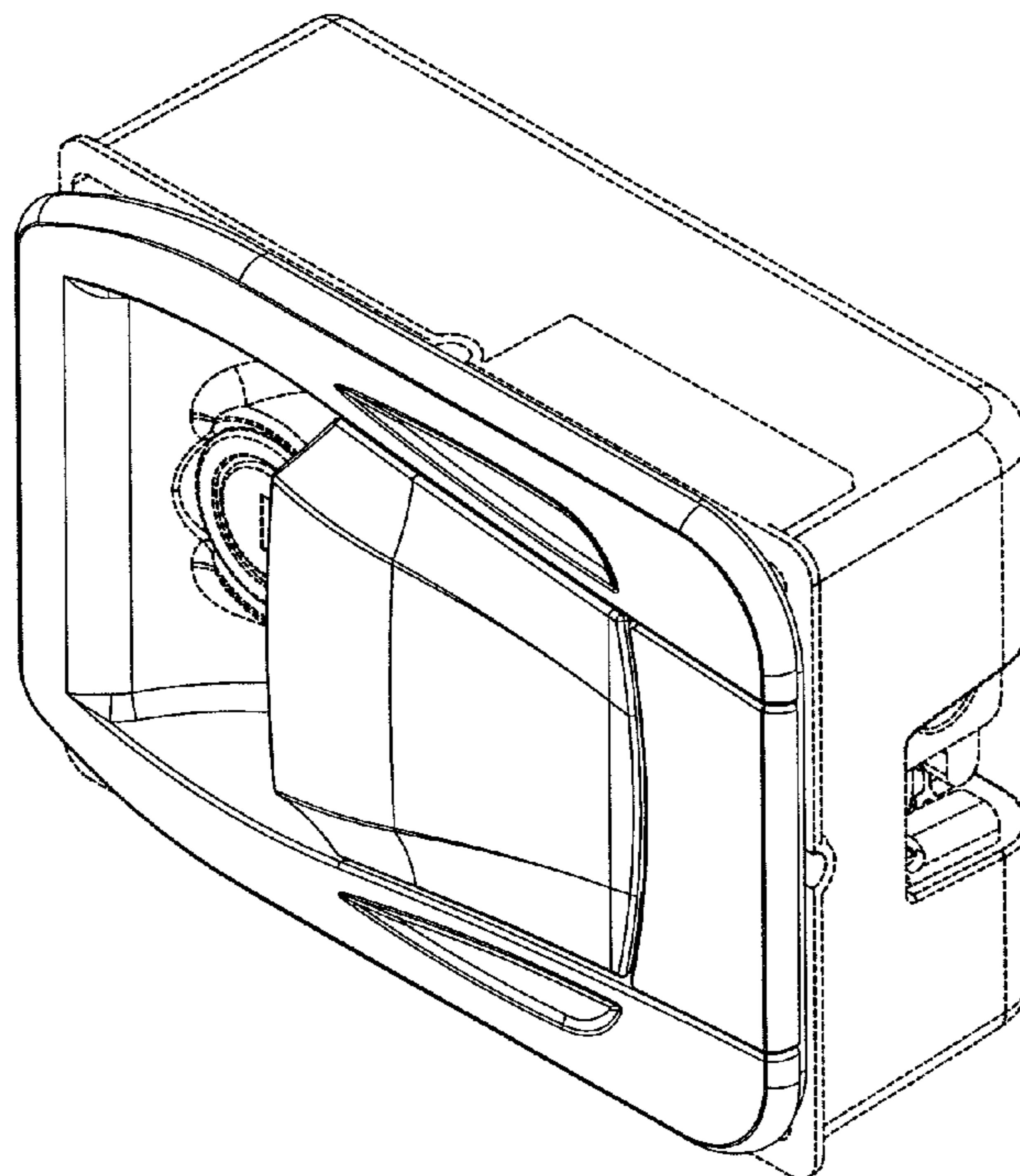
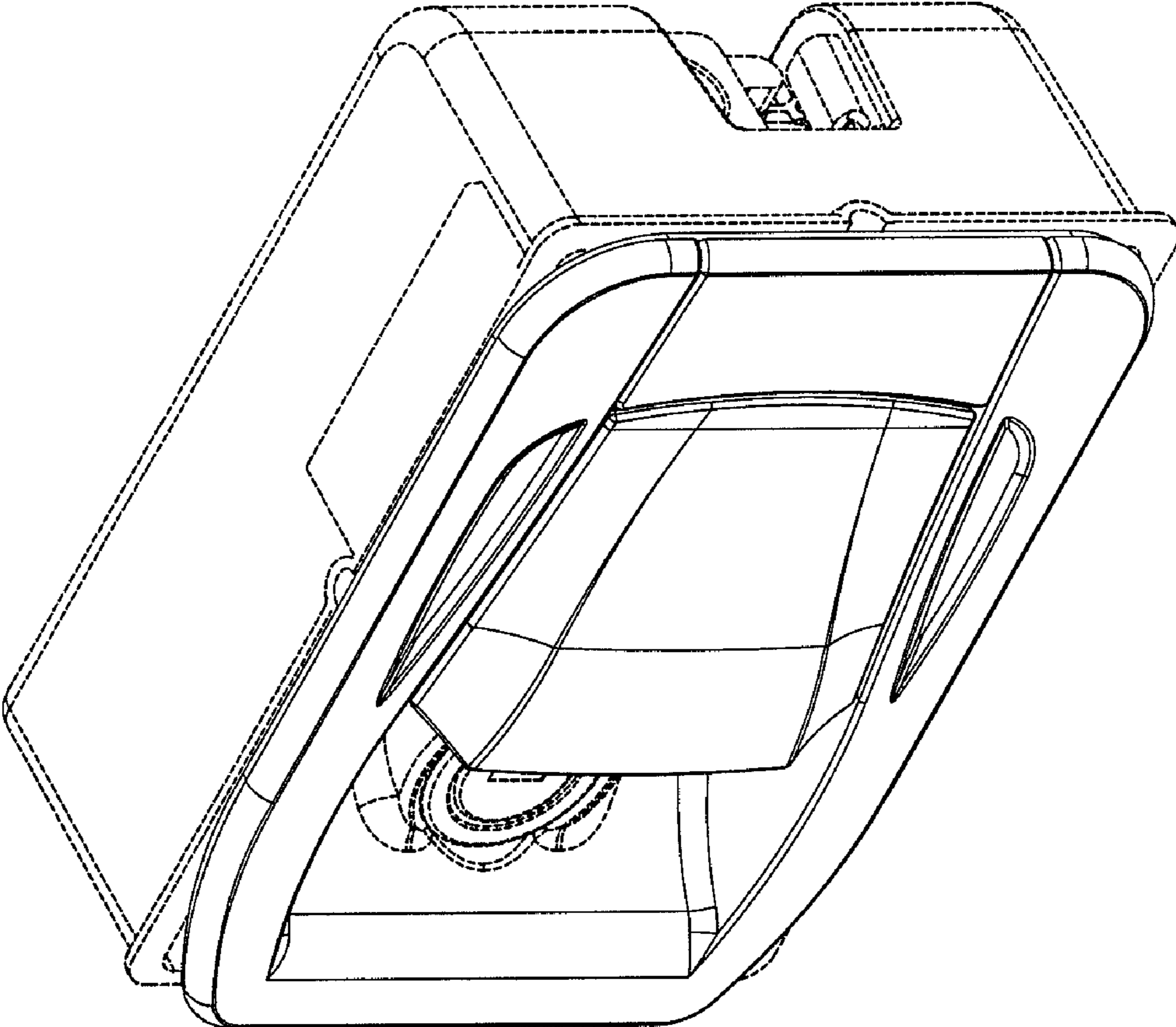


FIG. 1



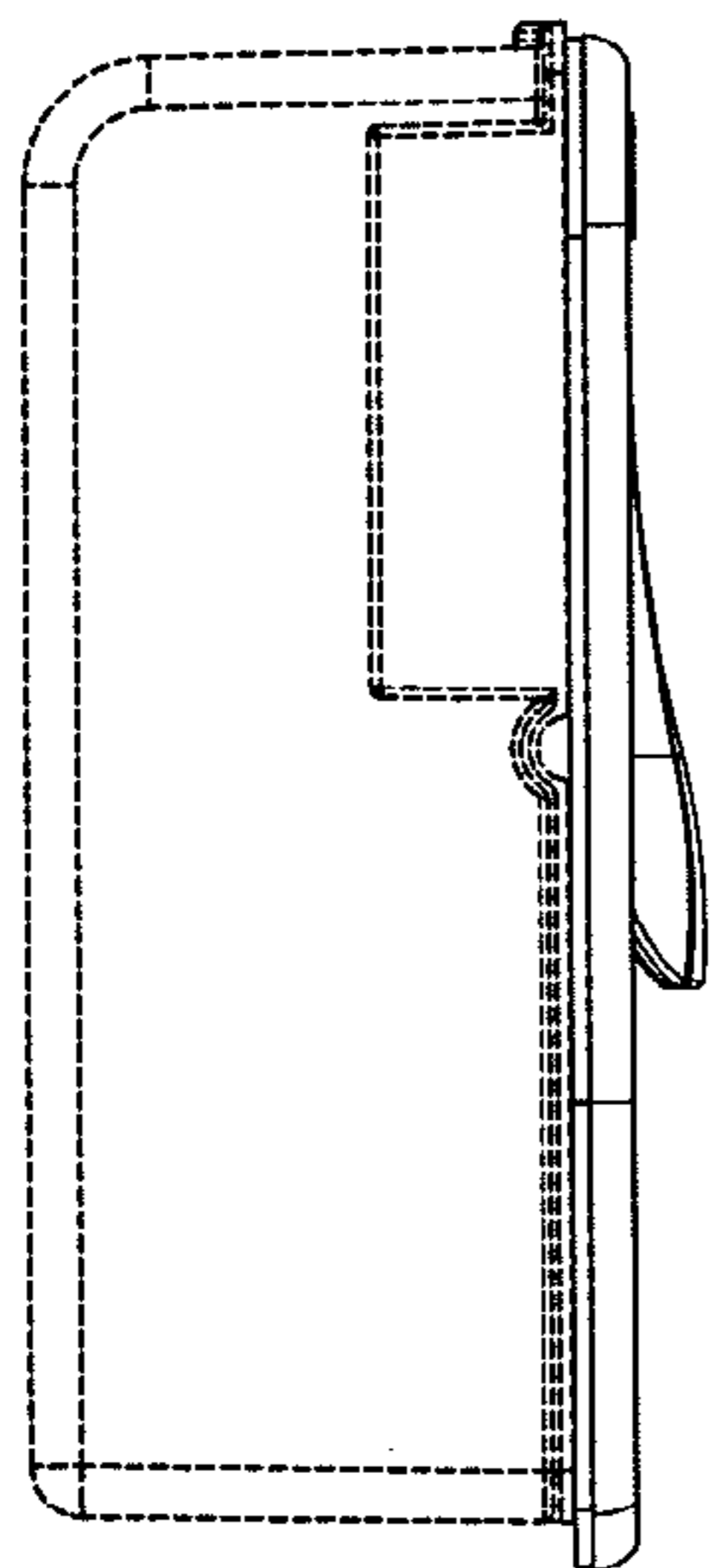


FIG. 5

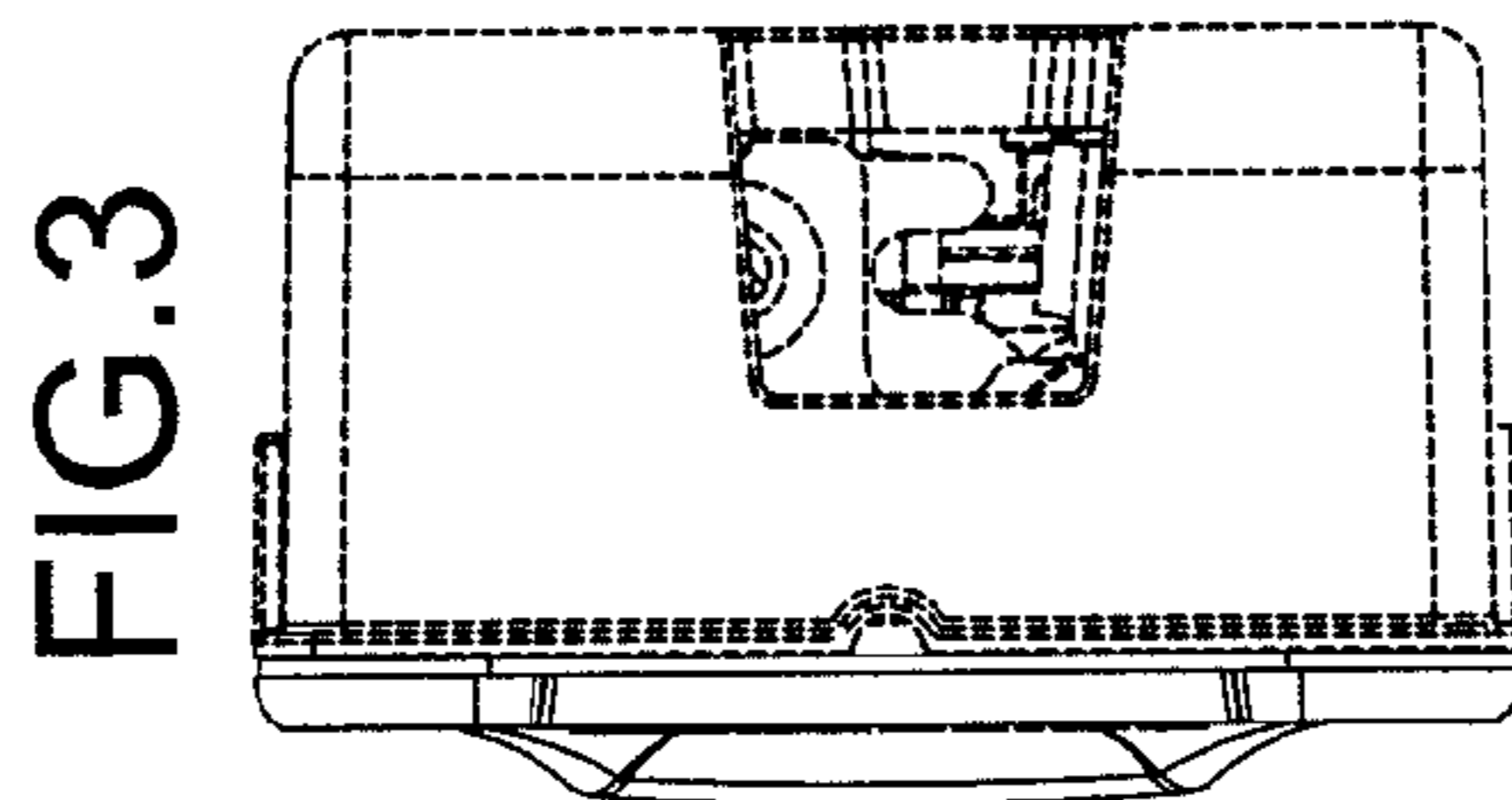


FIG. 3

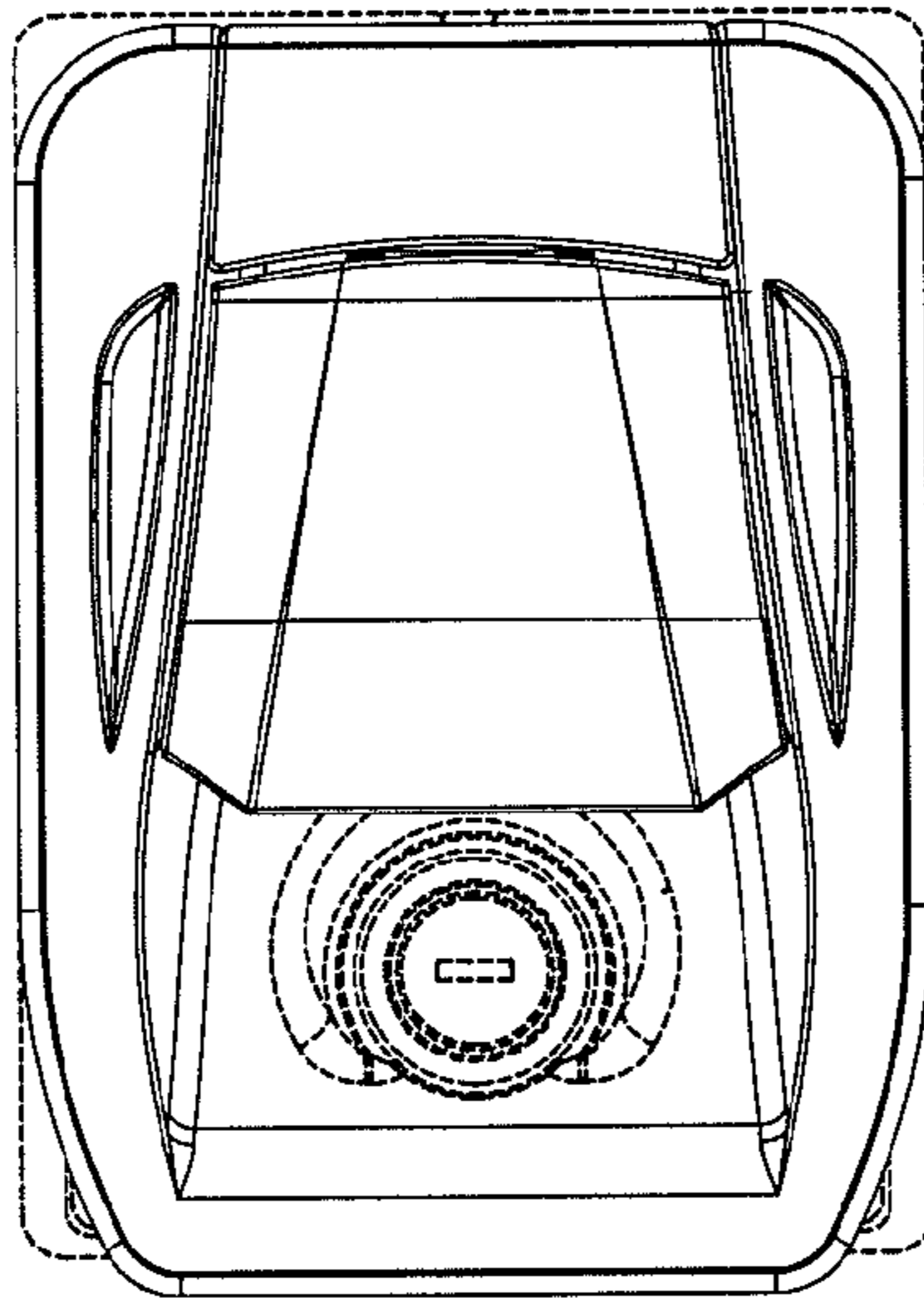


FIG. 2

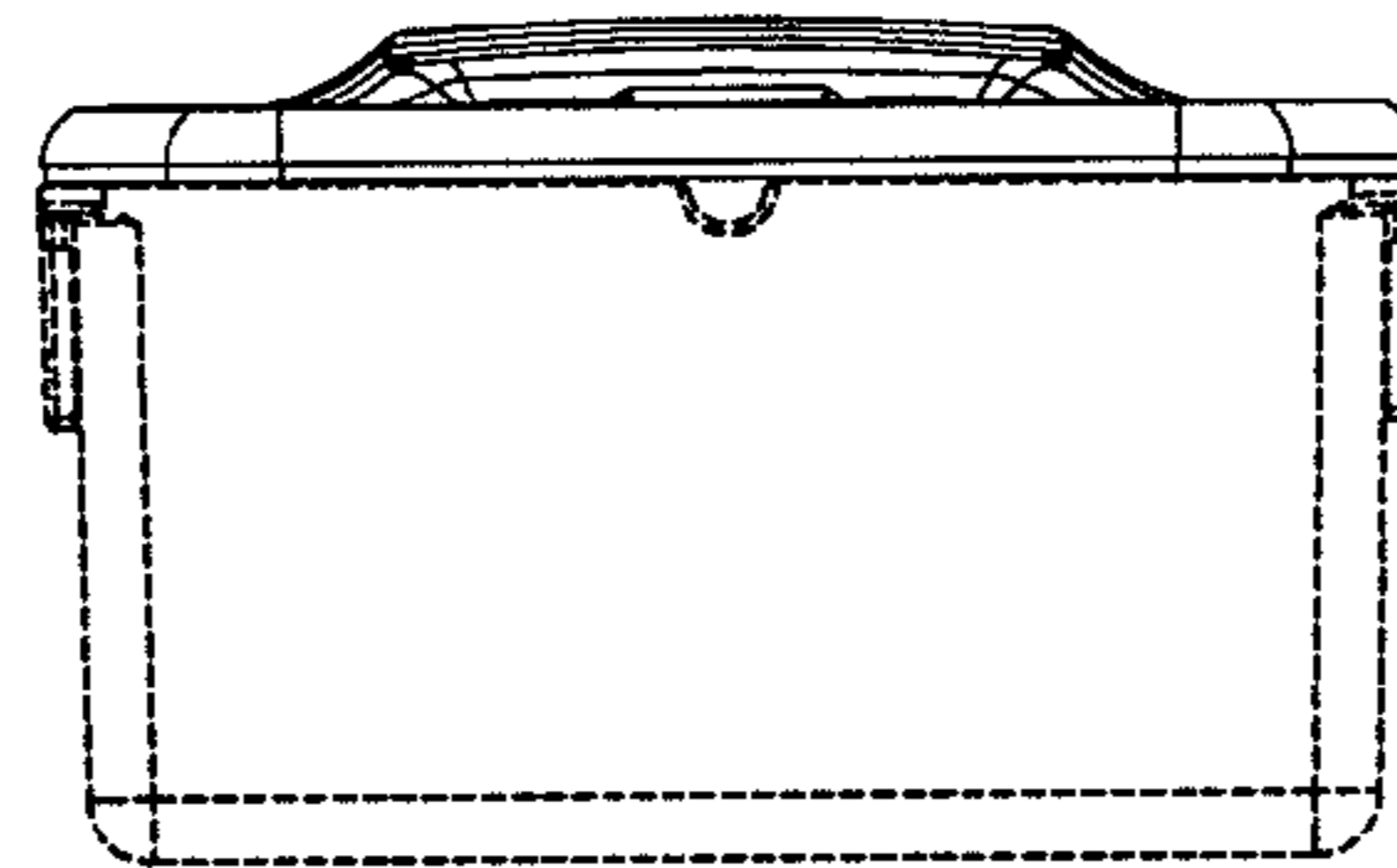


FIG. 4

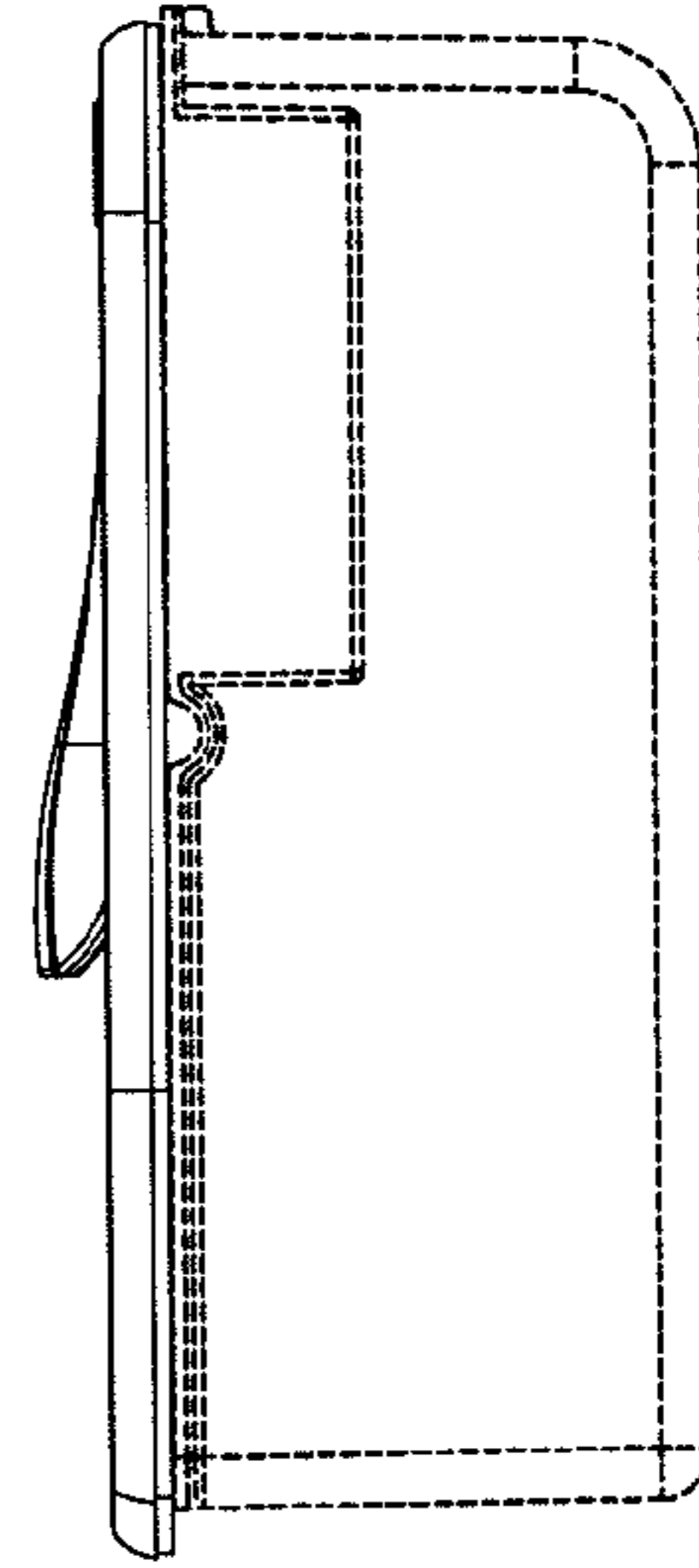
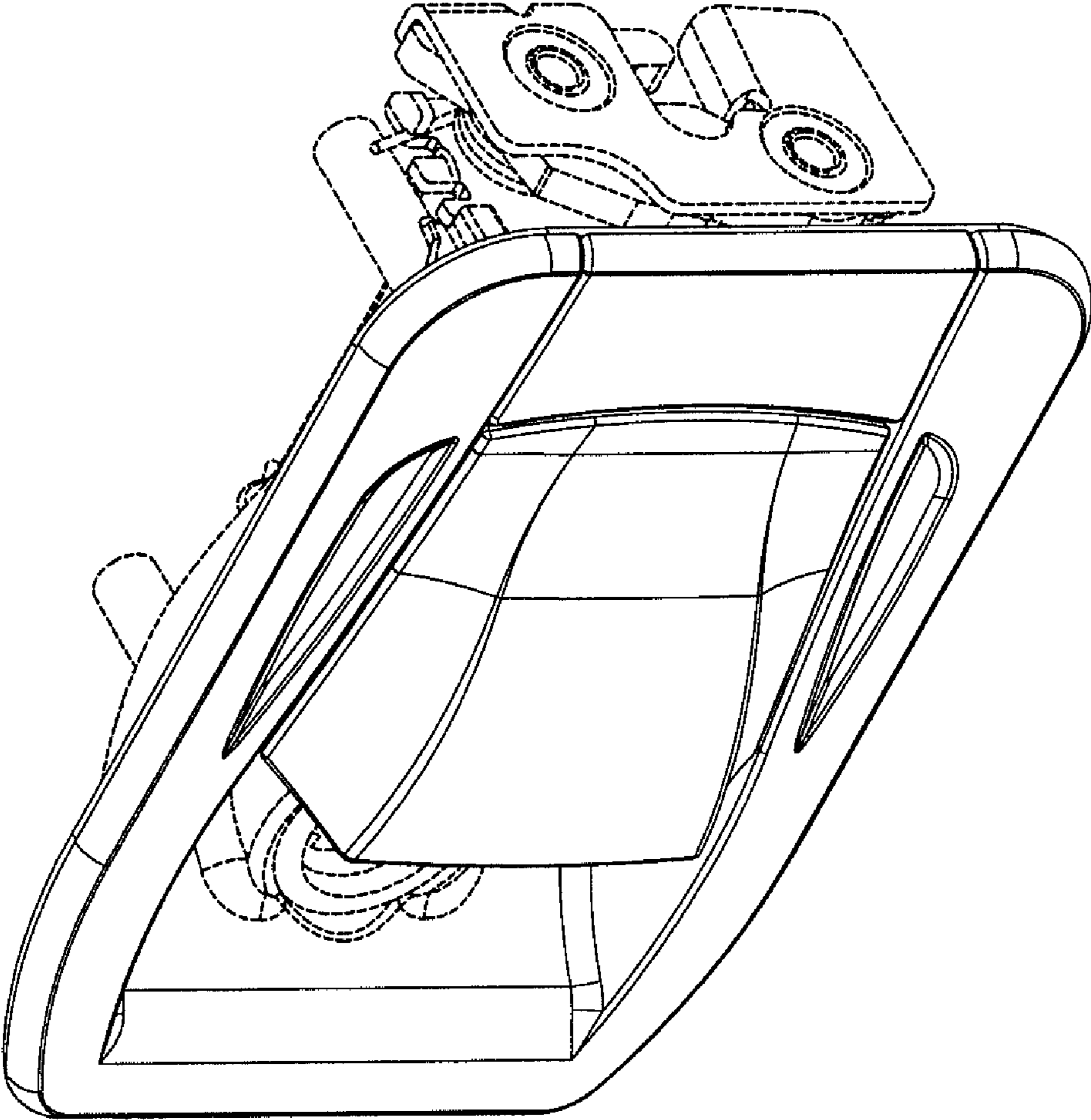


FIG. 6

FIG. 7



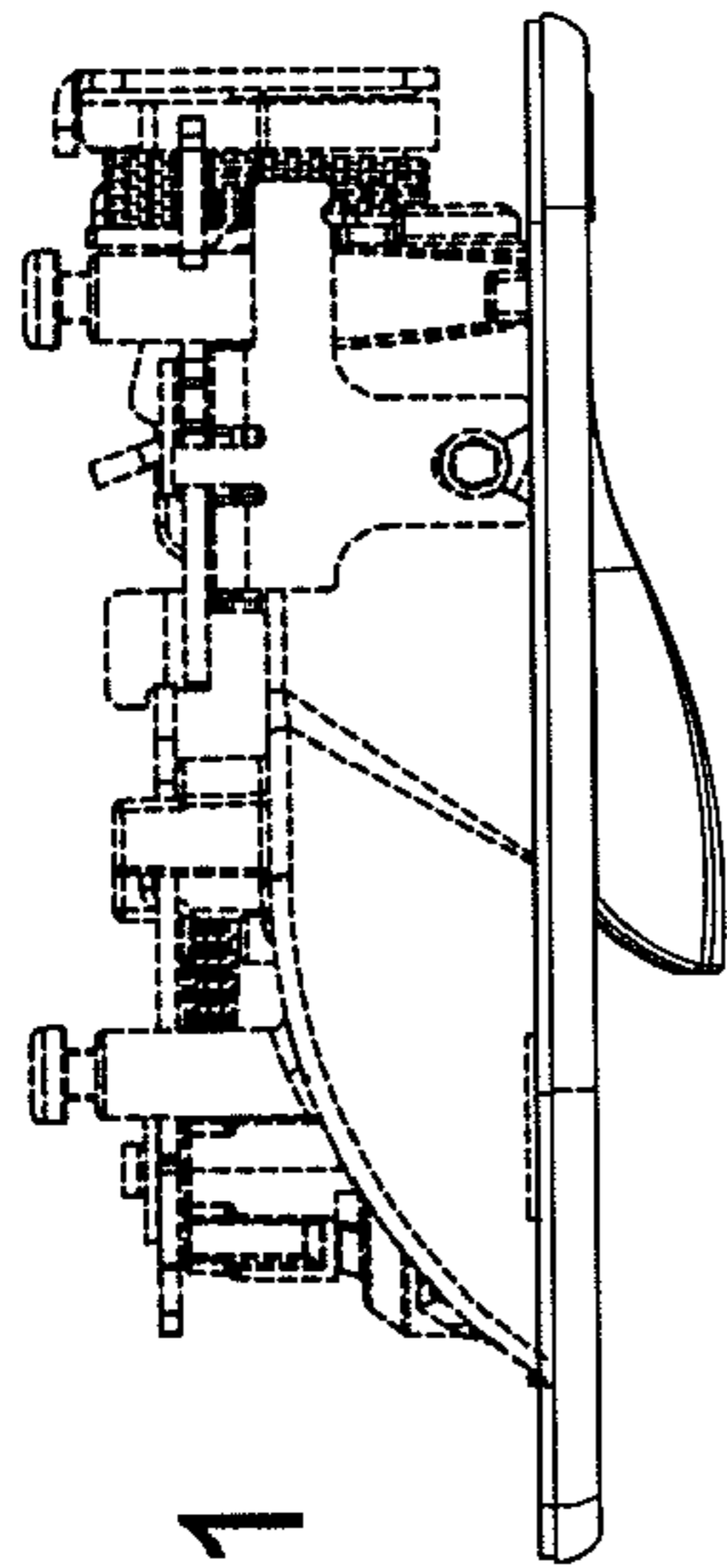


FIG. 11

FIG. 9

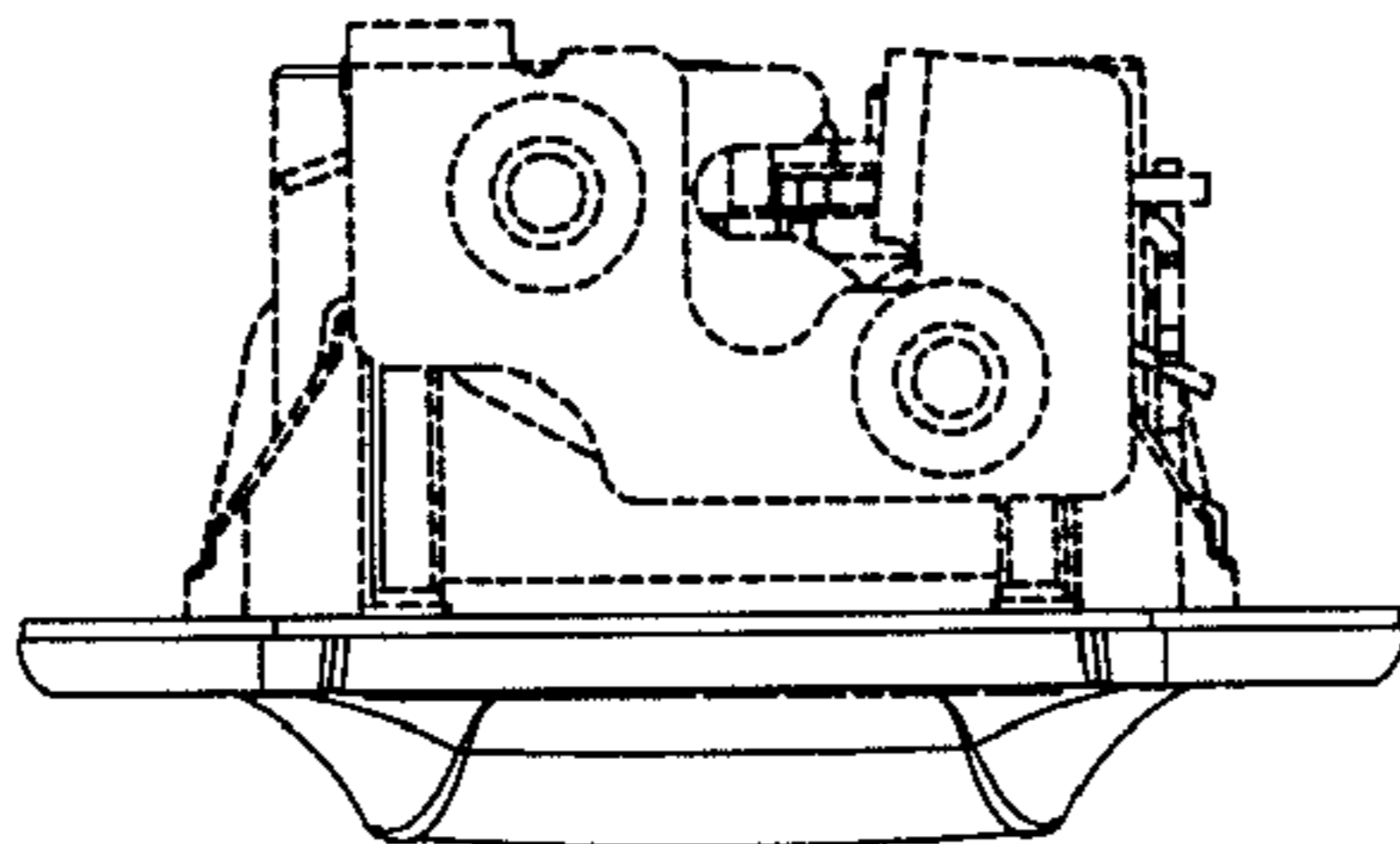


FIG. 8

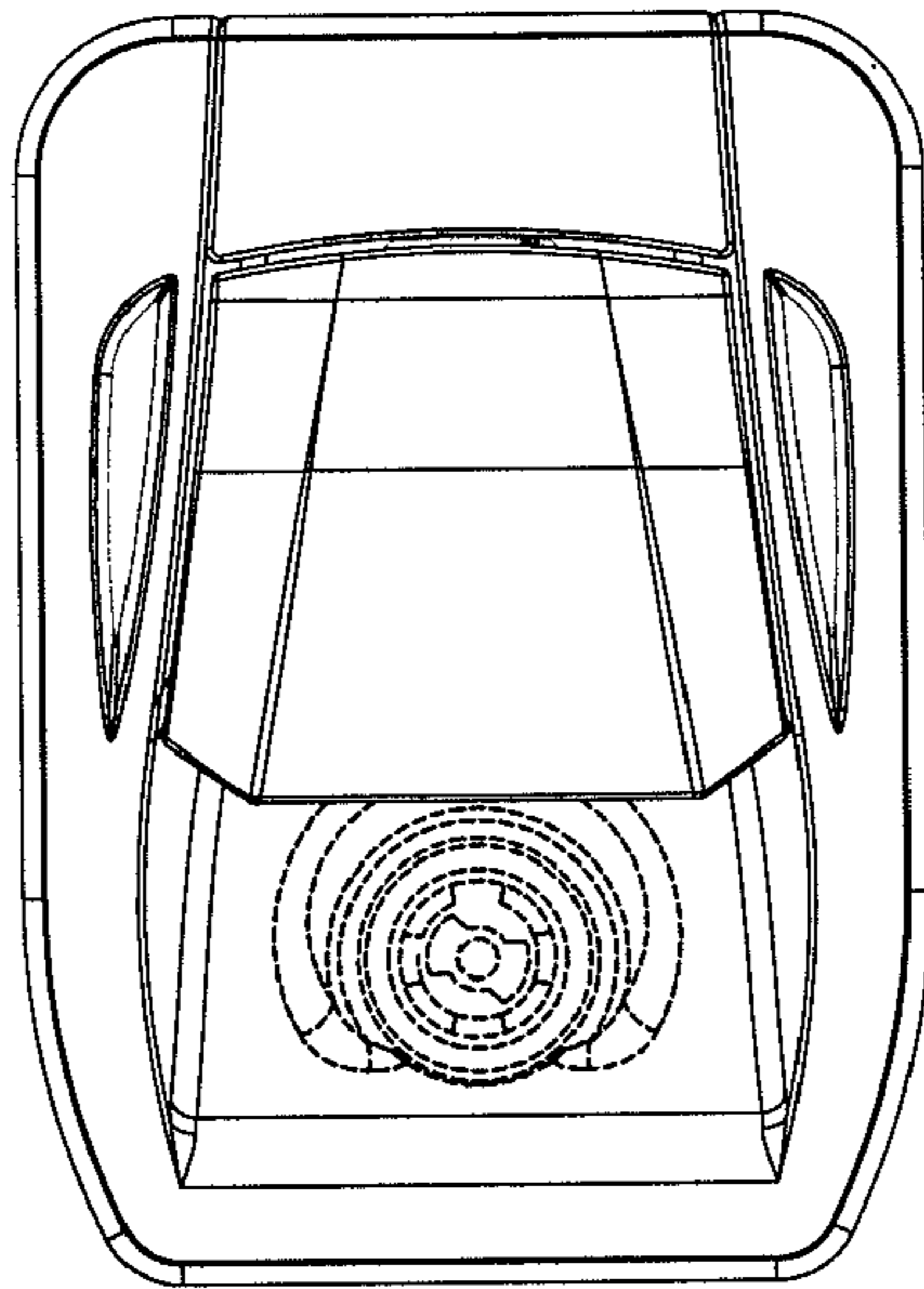


FIG. 10

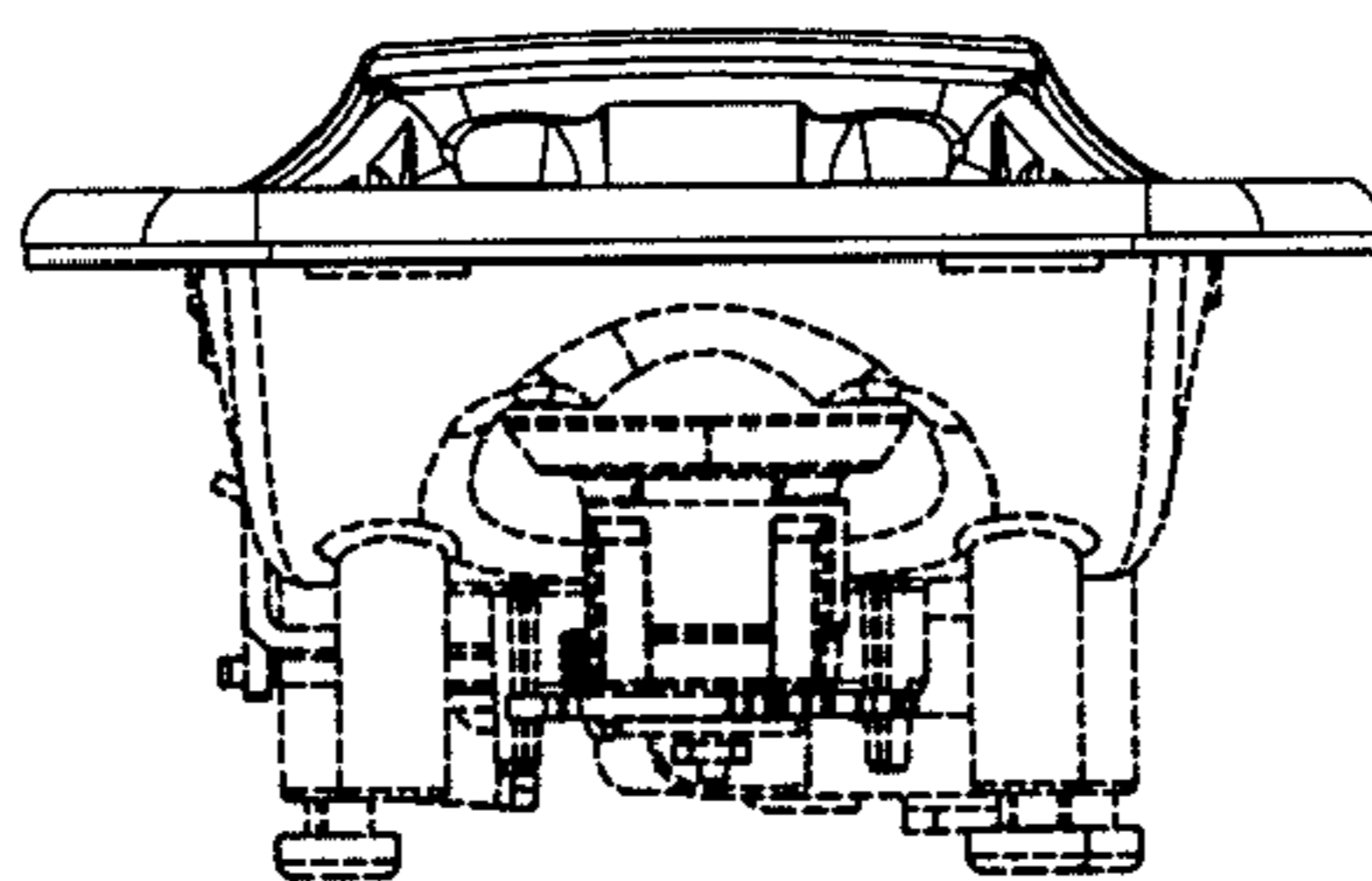


FIG. 12

