



US00D638273S

(12) **United States Design Patent**
Dunlap et al.

(10) **Patent No.:** **US D638,273 S**

(45) **Date of Patent:** **** May 24, 2011**

(54) **HOBBY KNIFE WITH RETRACTABLE
BLADE**

7,156,231 B1 1/2007 Austria
D565,917 S * 4/2008 Peterson et al. D8/98
D581,239 S * 11/2008 Gibbs D8/98

(75) Inventors: **Ben Dunlap**, Statesville, NC (US);
Michael Schumacher, Hilliard, OH
(US); **Lisa Singer**, Columbus, OH (US)

OTHER PUBLICATIONS

Fiskars Retractable Fingertip Knife, model item 01-005318, www2.fiskars.com/Products/Craftingcraft-Knives/Fingertip-Retractable-Craft-Knife.

(73) Assignee: **Elmer's Products Inc.**, Columbus, OH
(US)

* cited by examiner

(**) Term: **14 Years**

Primary Examiner — Phillip S Hyder

(21) Appl. No.: **29/366,712**

Assistant Examiner — Roselynn Cody

(22) Filed: **Jul. 29, 2010**

(74) *Attorney, Agent, or Firm* — McNeese Wallace & Nurick, LLC

(51) **LOC (9) Cl.** **08-03**

(52) **U.S. Cl.** **D8/99**

(58) **Field of Classification Search** D8/98,
D8/99, 102, 107; 30/2, 151, 162, 329, 335,
30/340; D19/35; 606/167; D24/147

(57) **CLAIM**

The ornamental design for a hobby knife with retractable blade, as shown and described.

See application file for complete search history.

DESCRIPTION

(56) **References Cited**

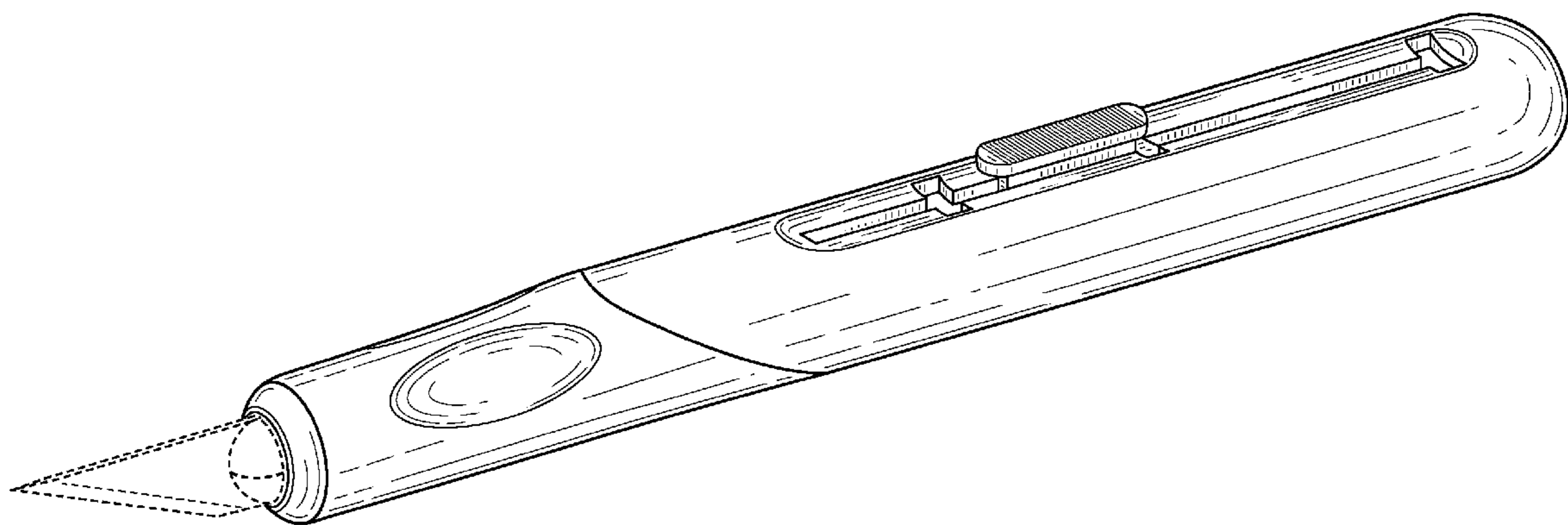
U.S. PATENT DOCUMENTS

D155,561	S	*	10/1949	Weiss	D8/98
D166,172	S	*	3/1952	Bureau	D8/98
D241,803	S	*	10/1976	Amiot	D8/14
4,071,952	A	*	2/1978	Meshulam et al.	30/151
D263,020	S	*	2/1982	Rau, III	D8/99
D263,445	S	*	3/1982	Gordin et al.	D8/107
4,400,878	A	*	8/1983	Vaudreuil		
D303,992	S	*	10/1989	Grotsch	D19/53
D307,443	S	*	4/1990	Poisson et al.	D19/43
D313,540	S	*	1/1991	Toor et al.	D8/98
D345,290	S	*	3/1994	Sauber	D8/107
5,431,672	A	*	7/1995	Cote et al.	606/167
D383,962	S	*	9/1997	Daley et al.	D8/98
5,730,751	A	*	3/1998	Dillon et al.	606/167
6,219,923	B1	*	4/2001	Sinisi et al.		
6,629,985	B1	*	10/2003	Kiehne	606/167

FIG. 1 is a front perspective view of a hobby knife with the blade partially extended from the handle showing the design; FIG. 2 is a side elevation view thereof; FIG. 3 is an opposite side elevation view thereof; FIG. 4 is a top elevation view thereof; FIG. 5 is a bottom elevation view thereof; FIG. 6 is a rear elevation view thereof; FIG. 7 is a front elevation view thereof; FIG. 8 is a front perspective view of the hobby knife with the blade completely extended; and, FIG. 9 is a front perspective view of the hobby knife with the blade completely retracted.

The features illustrated in broken line form are provided for purposes of environment and form no part of the claimed design.

1 Claim, 6 Drawing Sheets



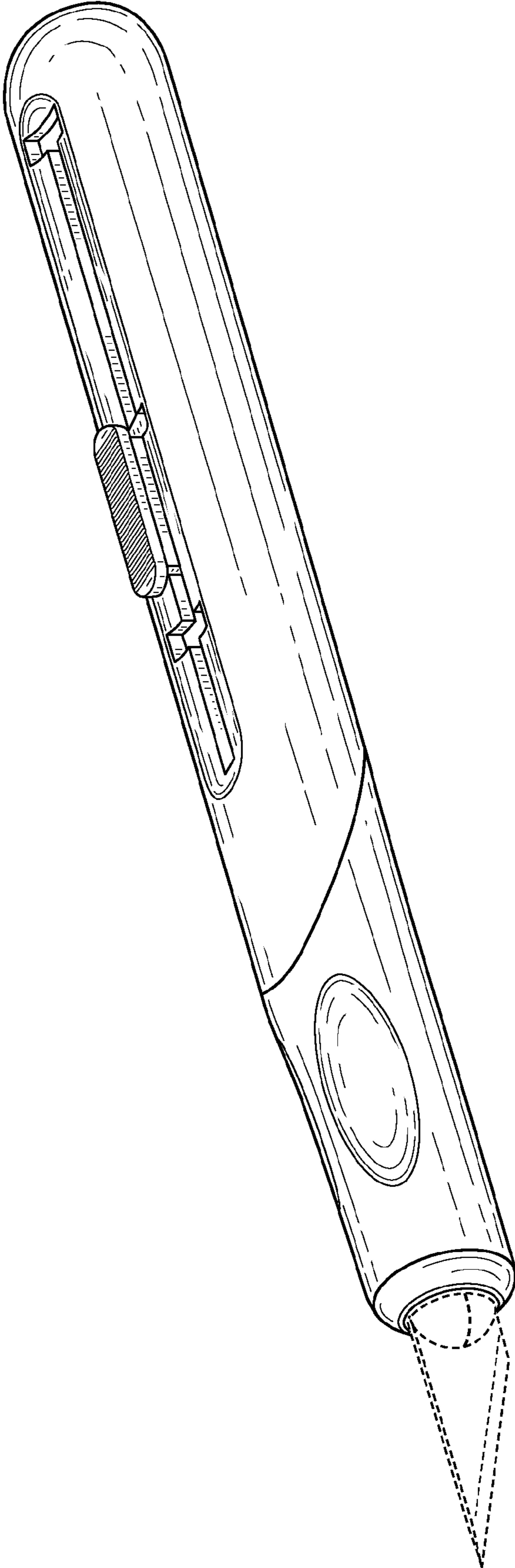


FIG. 1

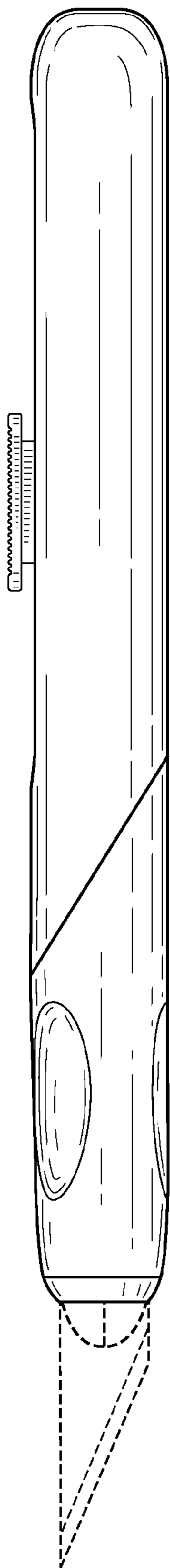


FIG. 2

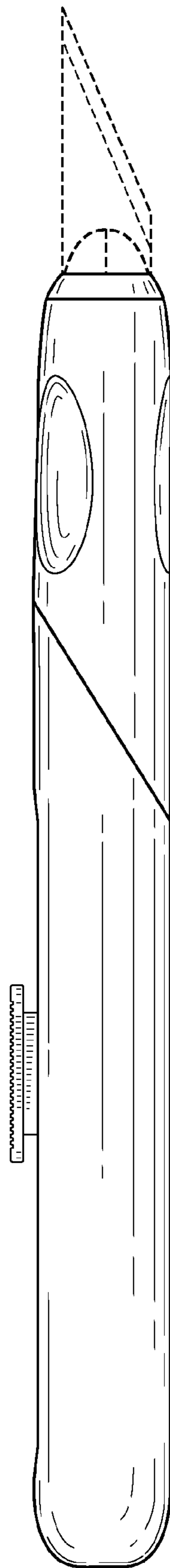


FIG. 3

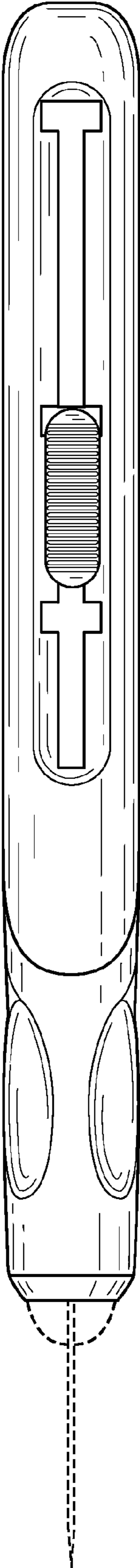


FIG. 4

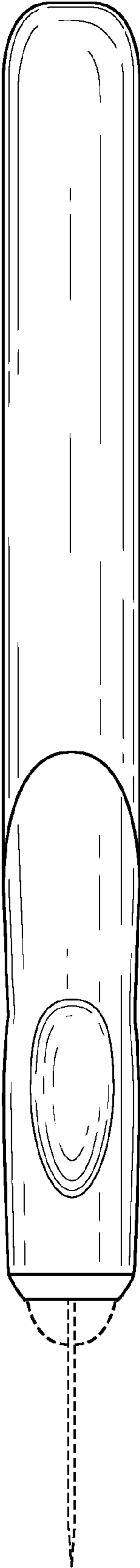


FIG. 5

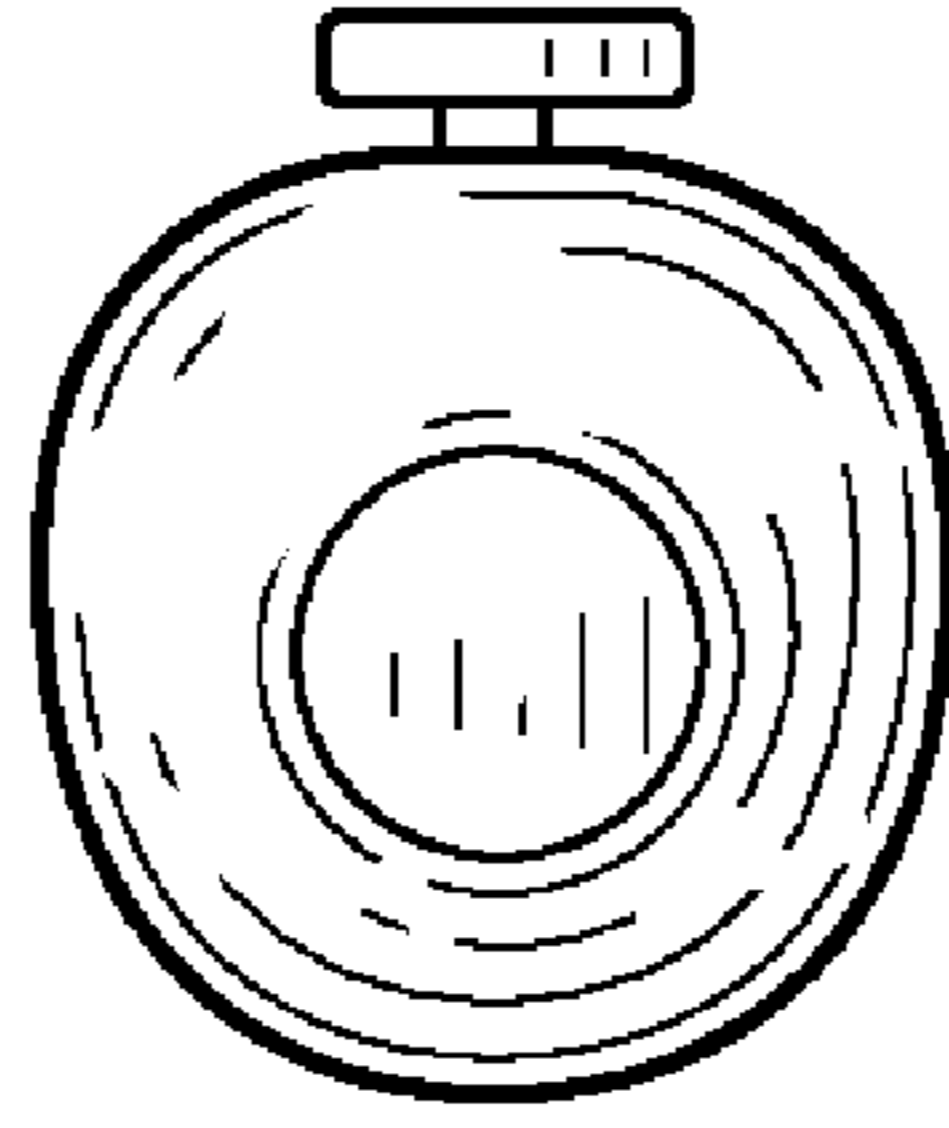


FIG. 6

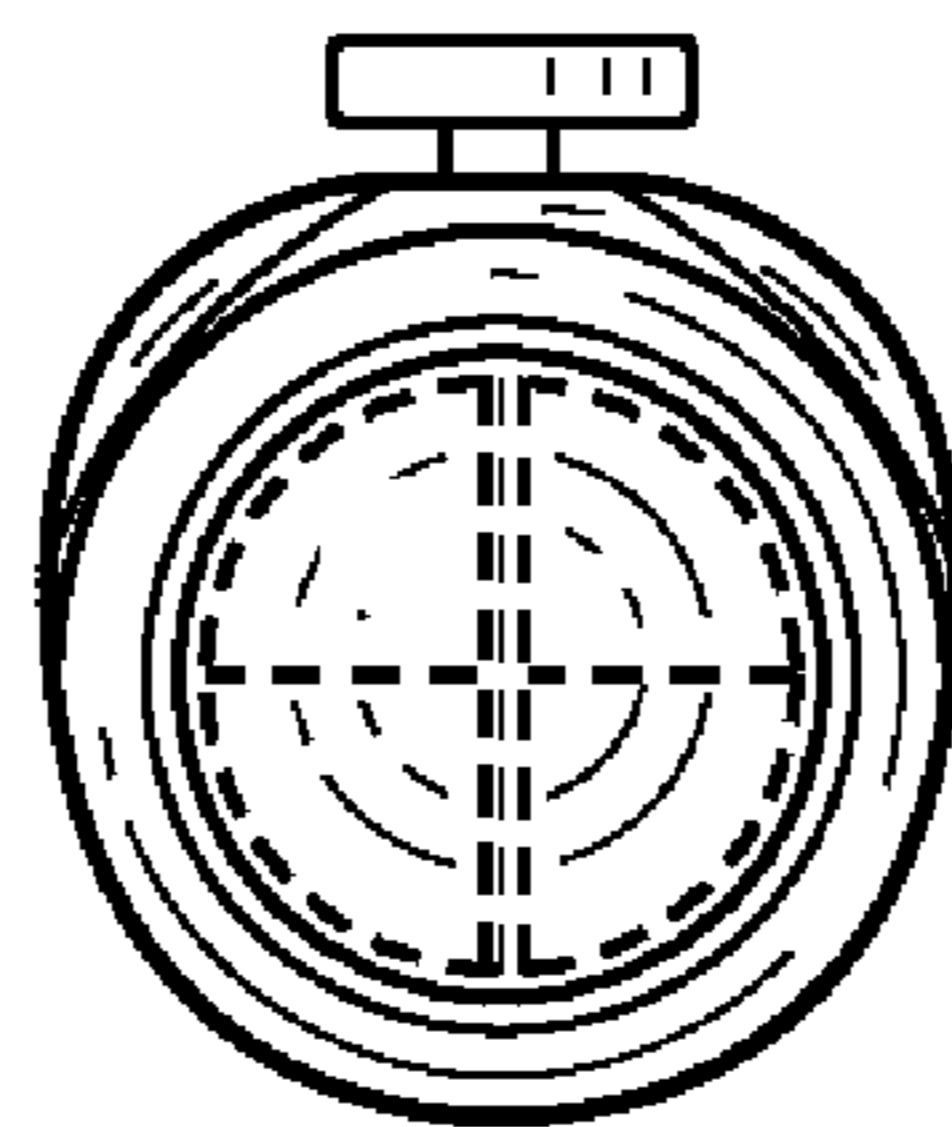


FIG. 7

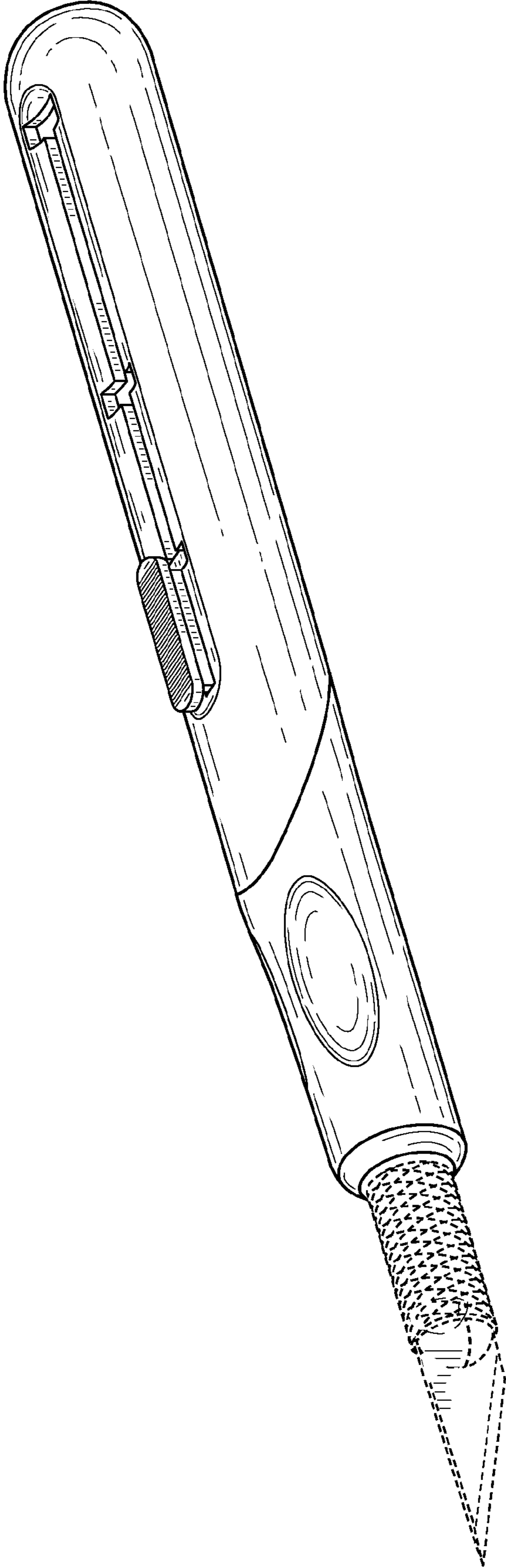


FIG. 8

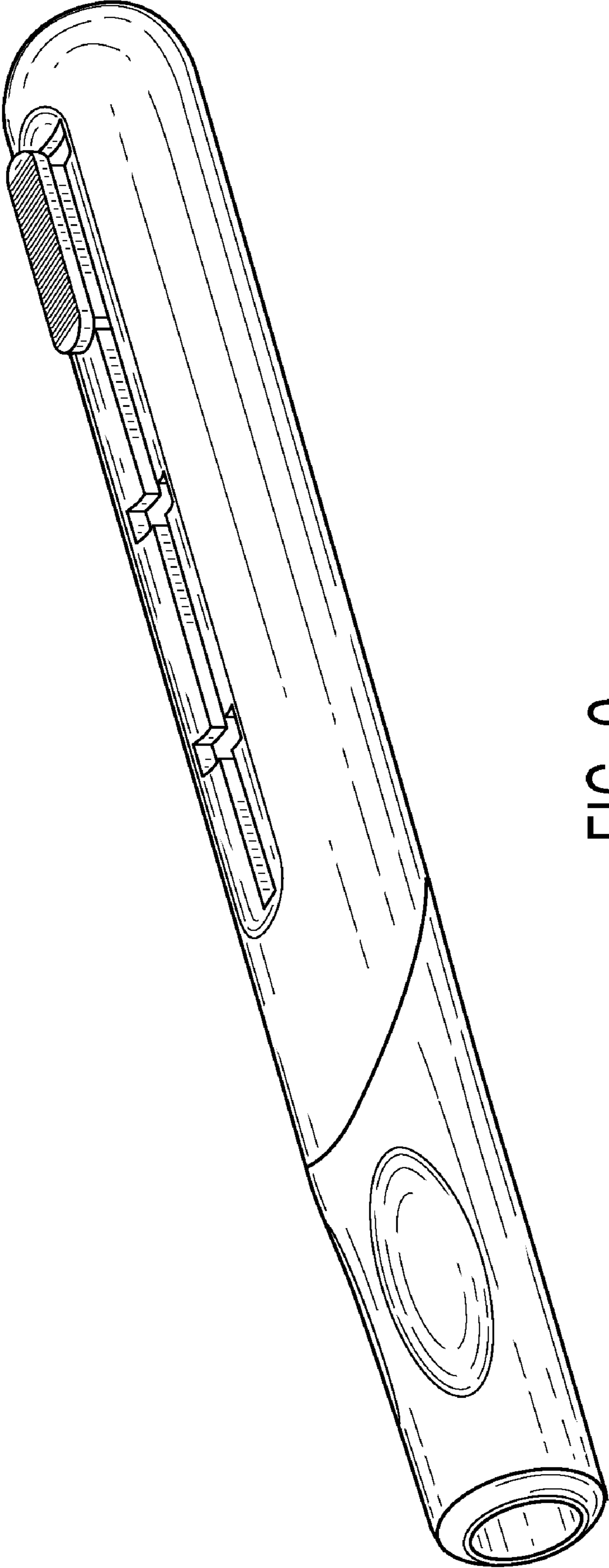


FIG. 9