



US00D638266S

(12) **United States Design Patent**
Shamoon

(10) **Patent No.:** **US D638,266 S**

(45) **Date of Patent:** **** *May 24, 2011**

(54) **JUICE BOARD**

(76) Inventor: **Ellis N. Shamoon**, Dallas, TX (US)

(**) Term: **14 Years**

(21) Appl. No.: **29/368,301**

(22) Filed: **Aug. 21, 2010**

(51) **LOC (9) Cl.** **07-04**

(52) **U.S. Cl.** **D7/698**

(58) **Field of Classification Search** D7/368,
D7/392.1, 412, 550.1, 554.3-554.4, 586,
D7/637-638, 698-699, 554.2; 99/449-450;
269/13, 15-16, 289 R, 302.1

See application file for complete search history.

(56) **References Cited**

U.S. PATENT DOCUMENTS

D264,419 S *	5/1982	Dorman et al.	D7/698
D382,445 S *	8/1997	Indekeu	D7/554.2
D416,768 S *	11/1999	Lisser et al.	D7/698
D424,891 S *	5/2000	Kaposi	D7/698
D464,237 S *	10/2002	Kaposi	D7/698
D473,112 S *	4/2003	de Groote	D7/698
D498,991 S *	11/2004	Goggin	D7/698
D503,313 S	3/2005	Shamoon		

D539,081 S *	3/2007	Leibowitz	D7/392.1
D550,043 S *	9/2007	Brattoli	D7/554.3
D558,541 S	1/2008	Shamoon		
D562,090 S *	2/2008	Goldman	D7/698
D563,739 S	3/2008	Shamoon		
D615,826 S *	5/2010	Tsui	D7/698
D629,268 S *	12/2010	Shamoon	D7/698
2010/0194016 A1 *	8/2010	Tsui	269/302.1

* cited by examiner

Primary Examiner — Ricky Pham

(74) *Attorney, Agent, or Firm* — Daniel V. Thompson

(57) **CLAIM**

The ornamental design for a juice board, as shown and described.

DESCRIPTION

FIG. 1 is a top perspective view of the juice board showing my new design;

FIG. 2 is a bottom perspective view thereof;

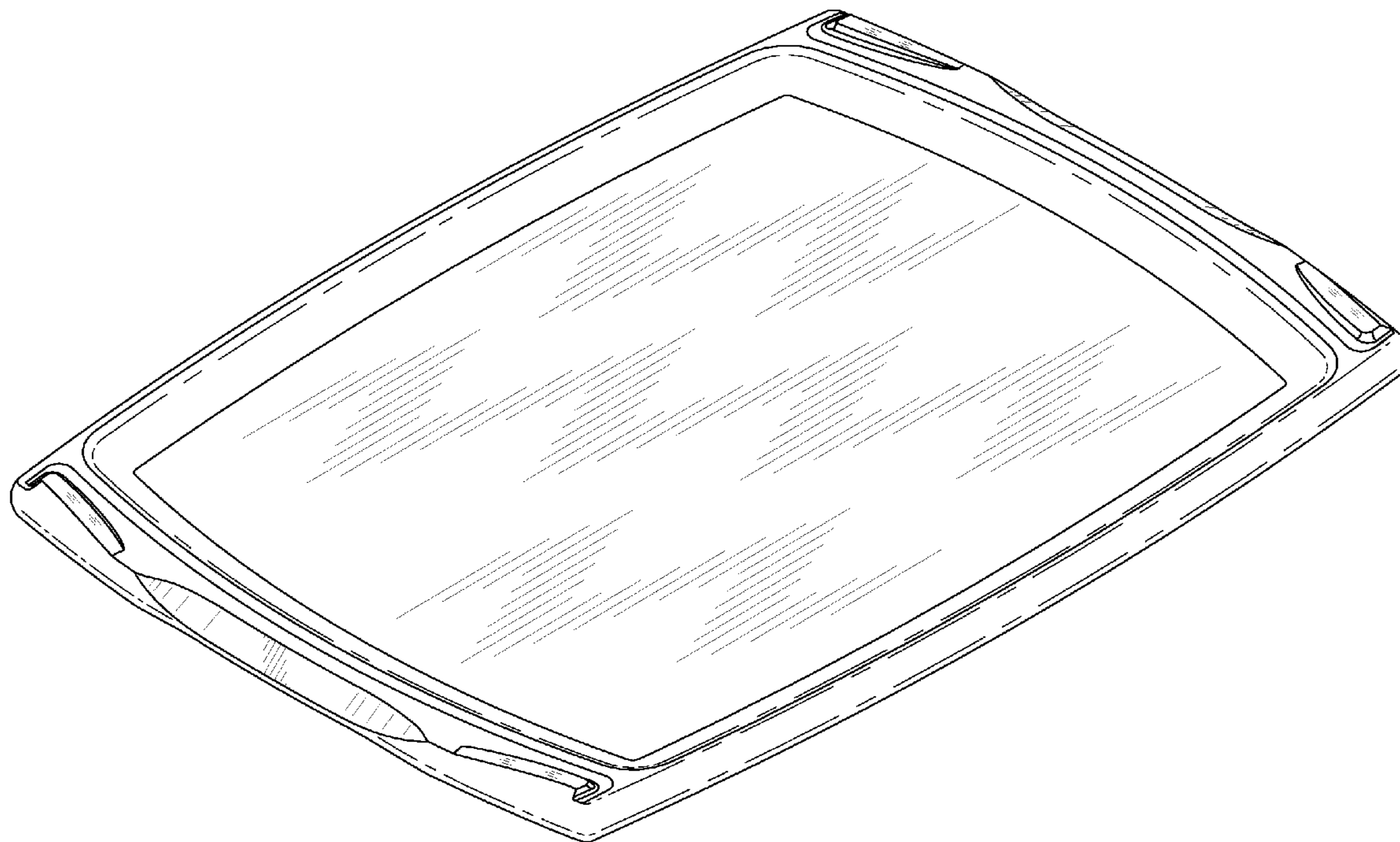
FIG. 3 is a bottom plan view thereof;

FIG. 4 is a right side elevational view thereof; and,

FIG. 5 is a rear elevational view thereof.

The juice board of the present invention is symmetrical so that the front and rear views are identical as are both side views.

1 Claim, 4 Drawing Sheets



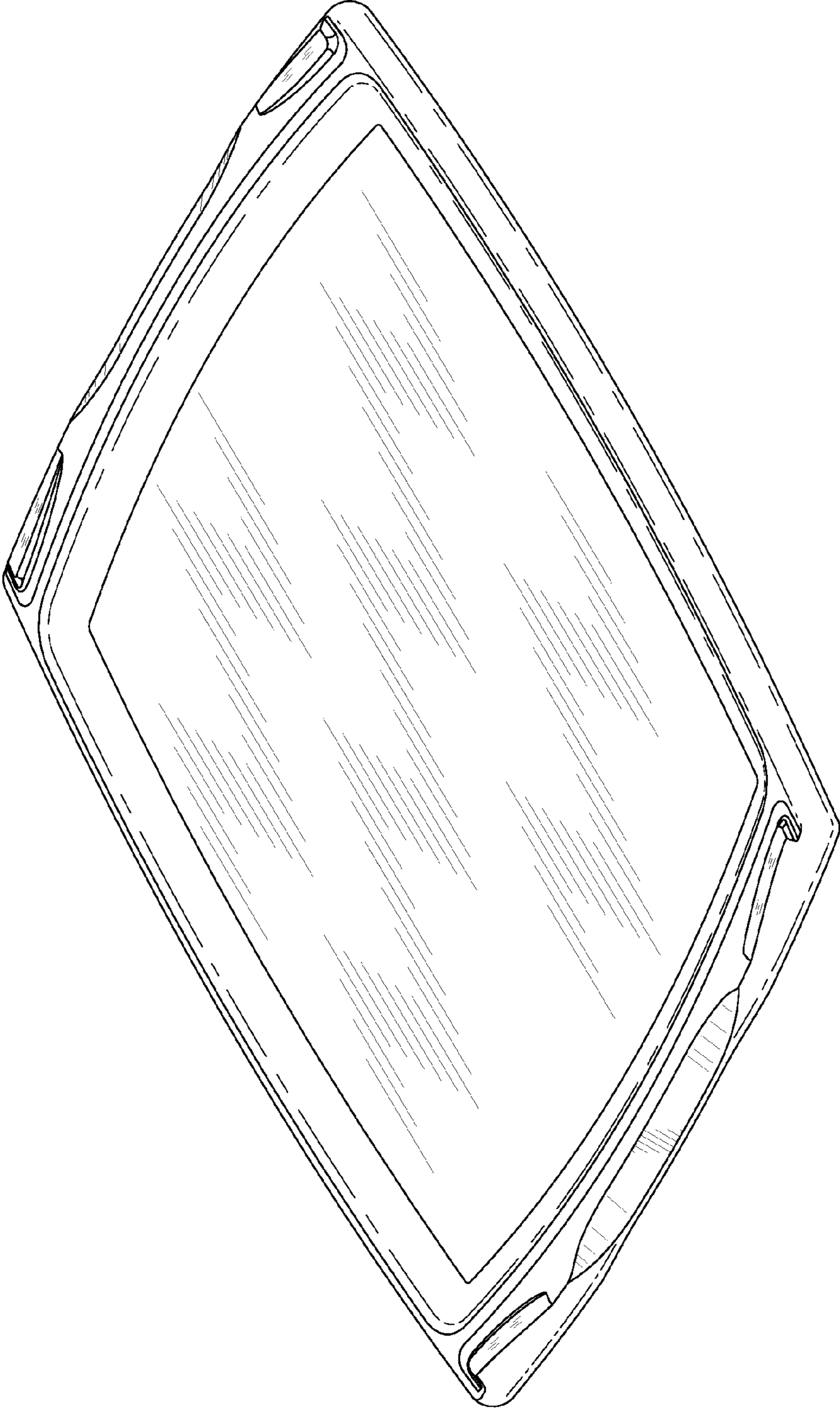


Fig. 1

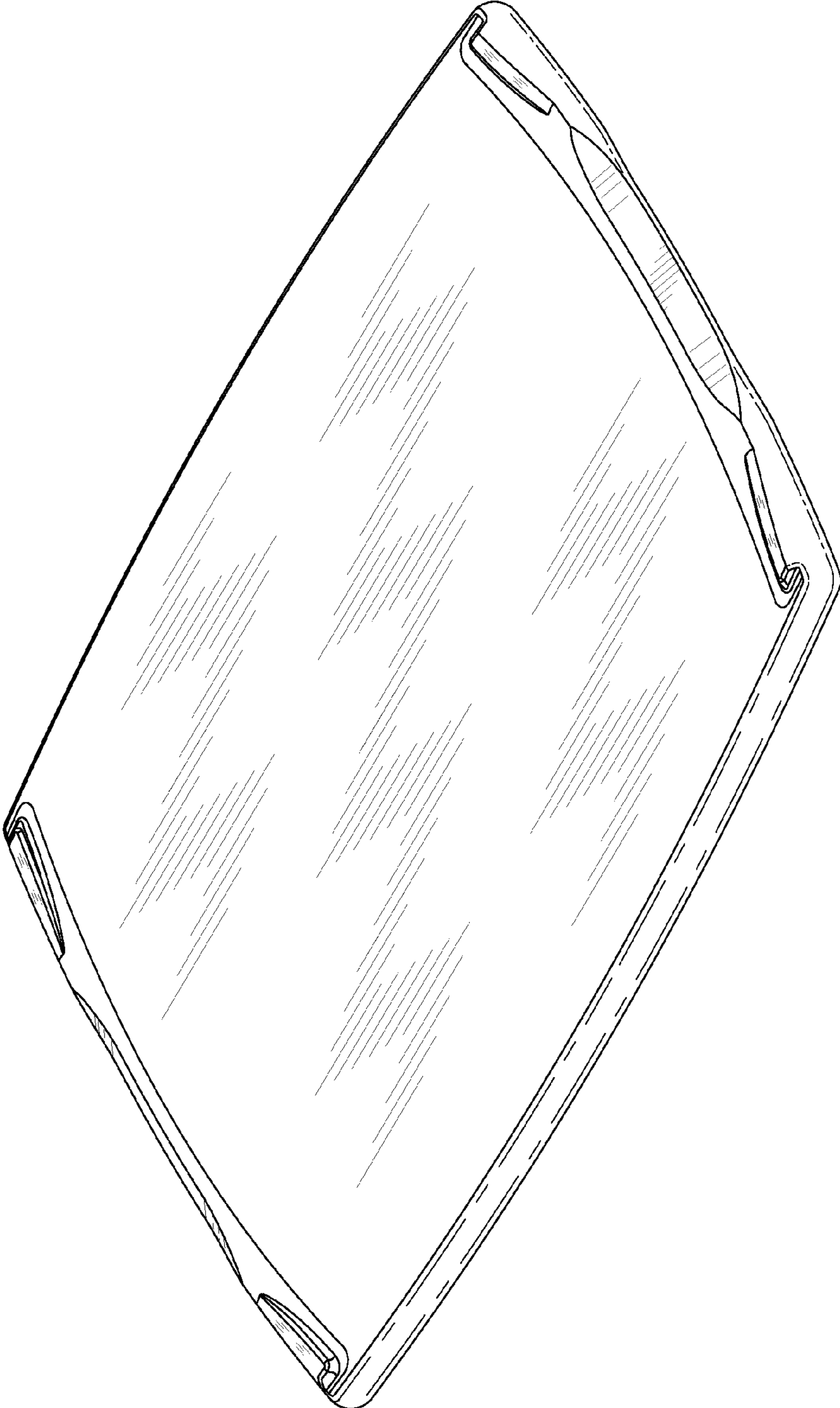


Fig. 2

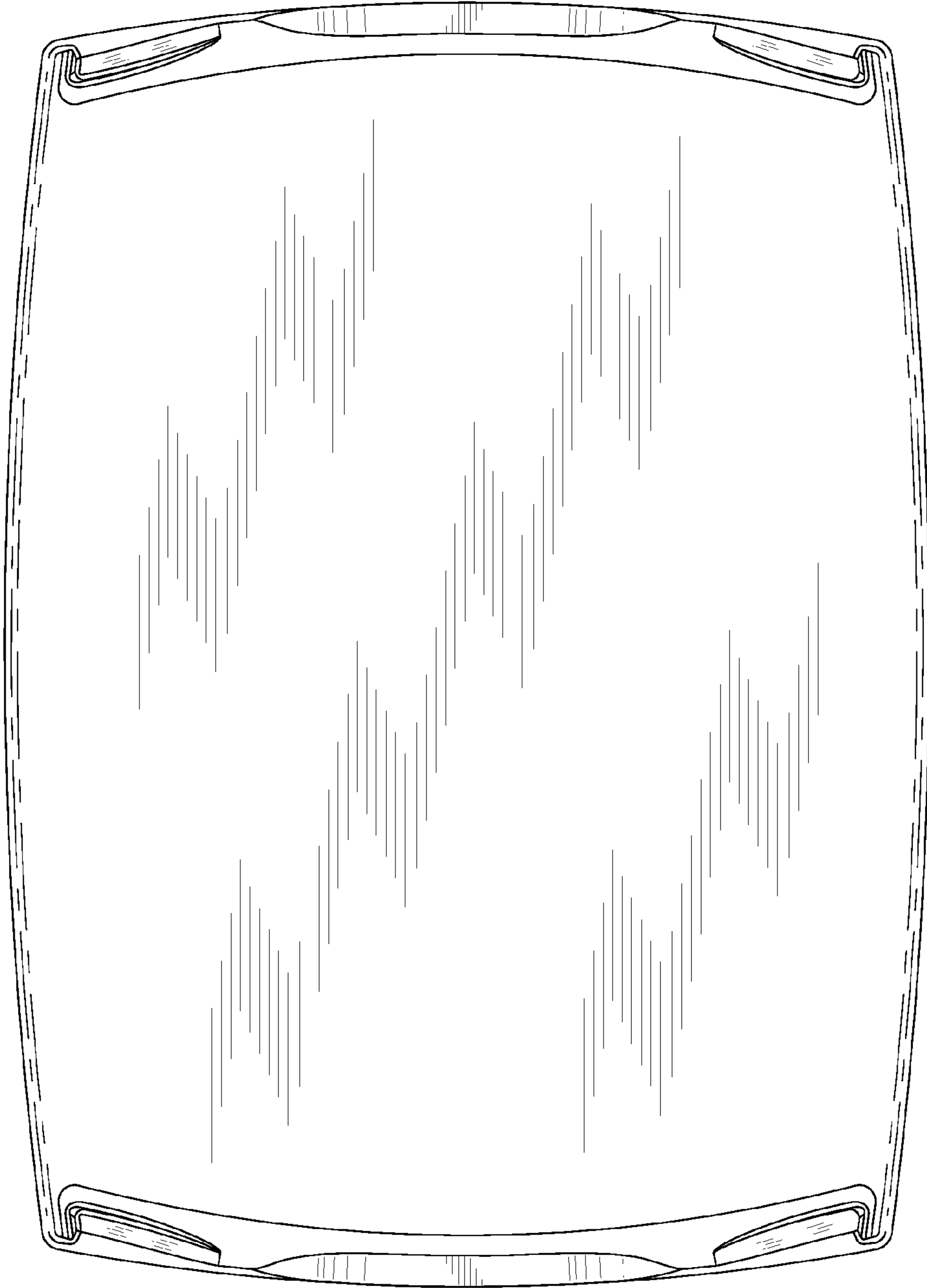


Fig. 3

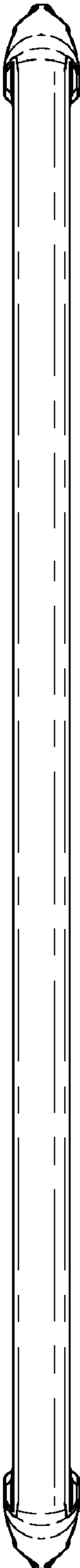


Fig. 4

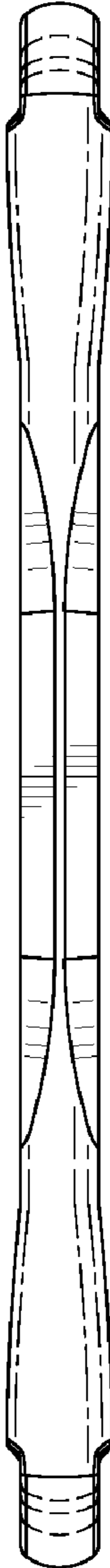


Fig. 5