

US00D638263S

(12) **United States Design Patent**  
**Lavallee**

(10) **Patent No.:** **US D638,263 S**

(45) **Date of Patent:** **\*\* May 24, 2011**

(54) **COOLER**

(76) Inventor: **Paul Lavallee**, Calgary (CA)

(\*\*) Term: **14 Years**

(21) Appl. No.: **29/364,877**

(22) Filed: **Jun. 30, 2010**

**Related U.S. Application Data**

(63) Continuation-in-part of application No. 12/403,403, filed on Mar. 13, 2009.

(51) **LOC (9) Cl.** ..... **07-01**

(52) **U.S. Cl.** ..... **D7/605**

(58) **Field of Classification Search** ..... D7/605-608,  
D7/300; 62/457.1-457.9, 371, 372, 530;  
220/592.16, 592.2, 915.1, 915.2, 592.03,  
220/592.09

See application file for complete search history.

(56) **References Cited**

**U.S. PATENT DOCUMENTS**

4,653,290 A 3/1987 Byrne  
6,425,498 B1 7/2002 Gheorgheos

6,446,461 B1 9/2002 Williams, Jr.  
D530,137 S \* 10/2006 Wilgus et al. .... D7/300  
D536,218 S \* 2/2007 Krieger et al. .... D7/605  
2005/0263527 A1\* 12/2005 Maldonado et al. .... 220/592.2  
2006/0053826 A1 3/2006 Drabkin  
2006/0196218 A1\* 9/2006 Mogil et al. .... 62/457.4  
2006/0201966 A1 9/2006 Macler et al.

\* cited by examiner

*Primary Examiner* — Terry A Wallace

(74) *Attorney, Agent, or Firm* — Laurence P. Colton; Smith  
Risley Tempel Santos LLC

(57) **CLAIM**

The ornamental design for a cooler, as shown and described.

**DESCRIPTION**

FIG. 1 is an upper side perspective view of the cooler of the present design.

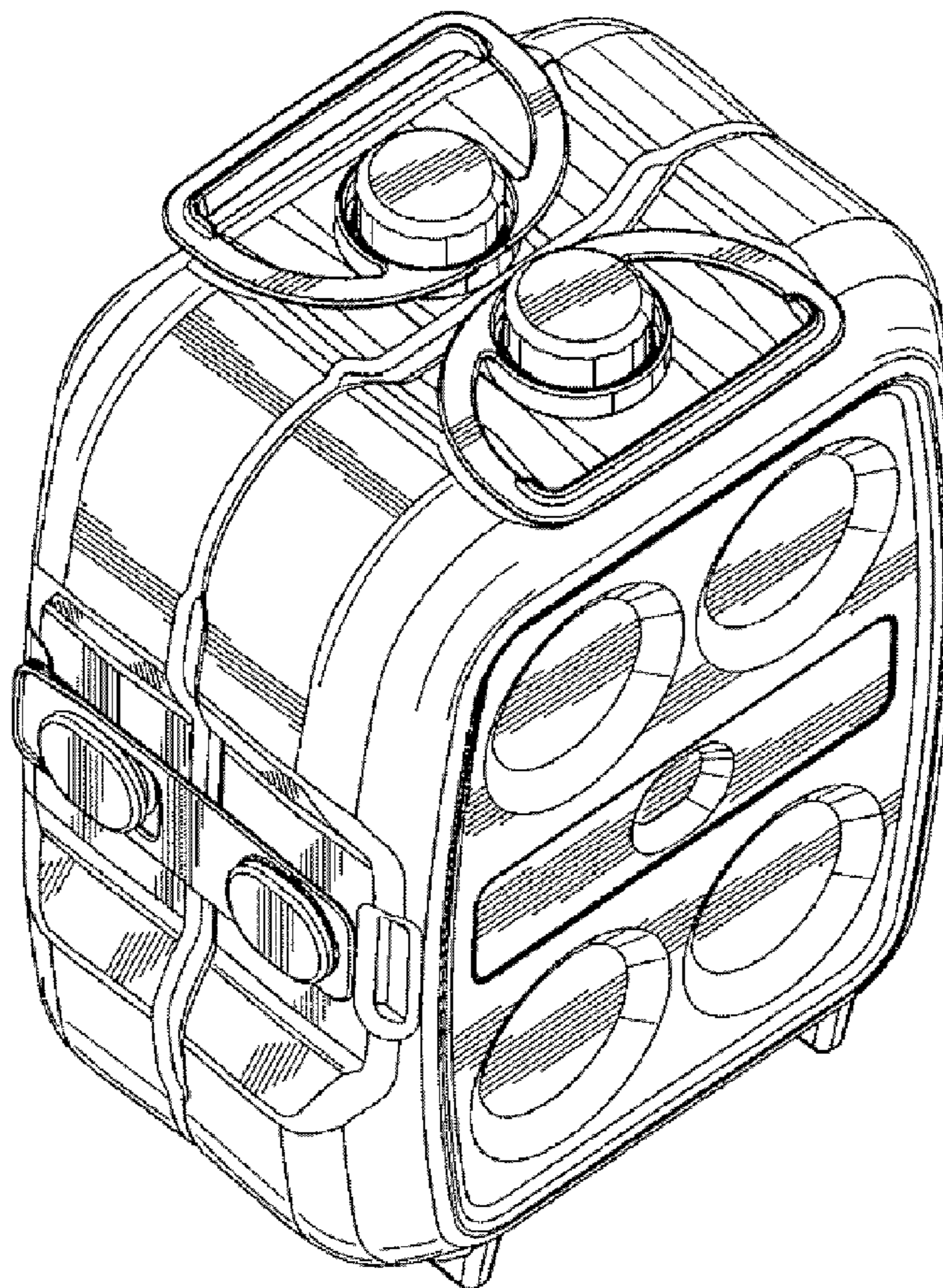
FIG. 2 is a left side view of the cooler of the present design.

FIG. 3 is a top plan view of the cooler of the present design.

FIG. 4 is a front elevational view of the cooler of the present design; and,

FIG. 5 is a bottom view of the cooler of the present design.

**1 Claim, 5 Drawing Sheets**



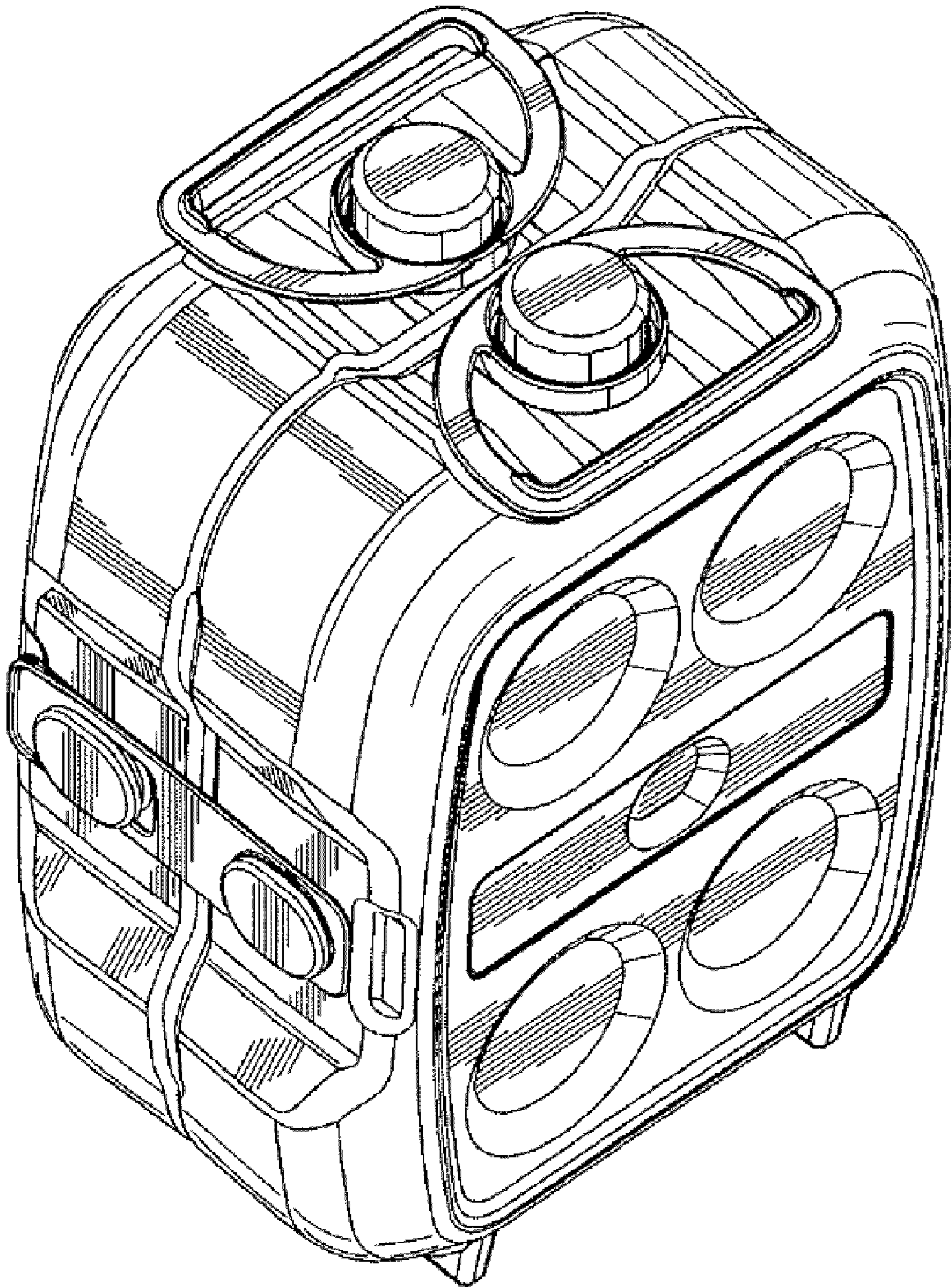


FIG. 1

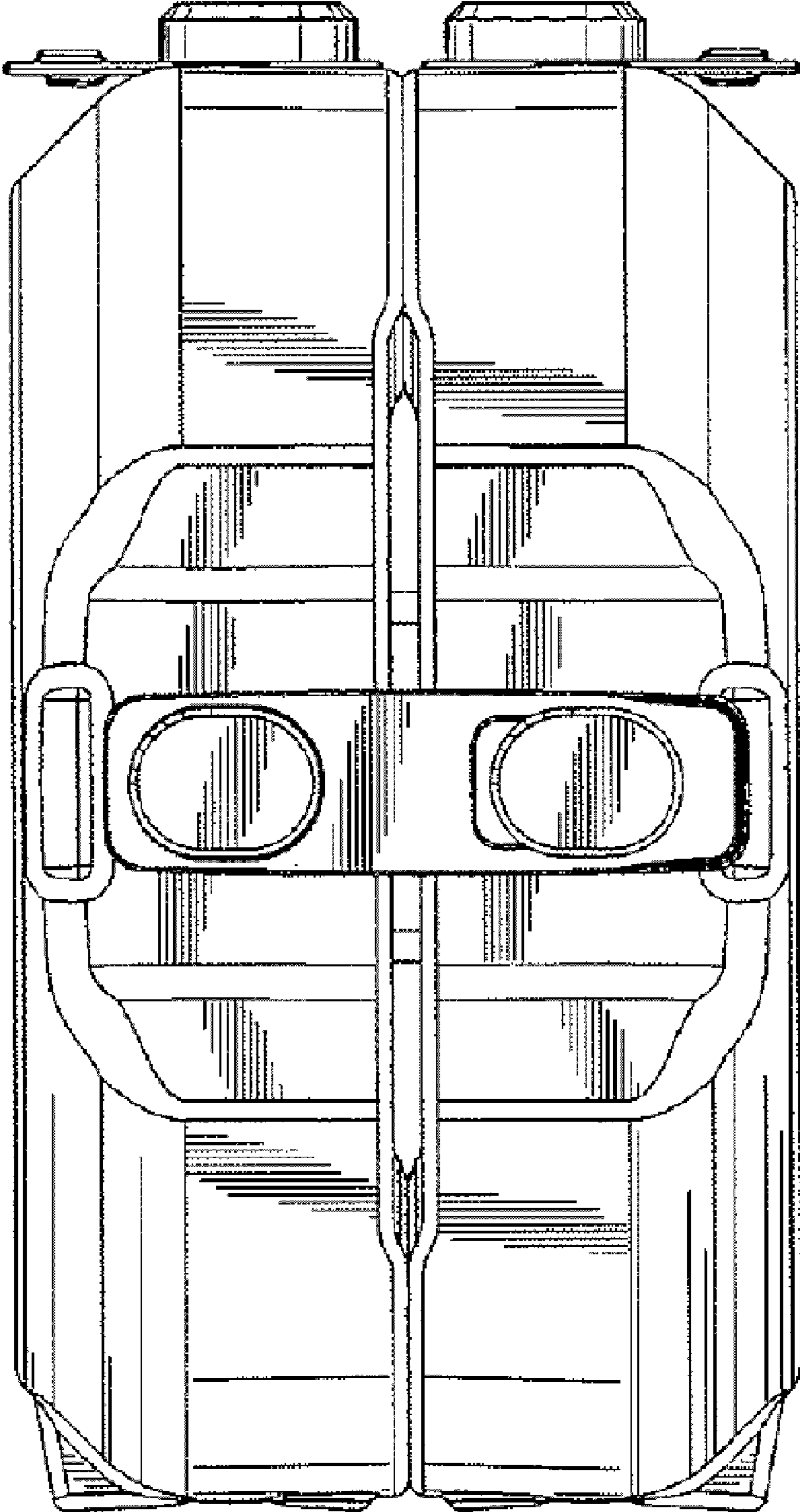


FIG. 2

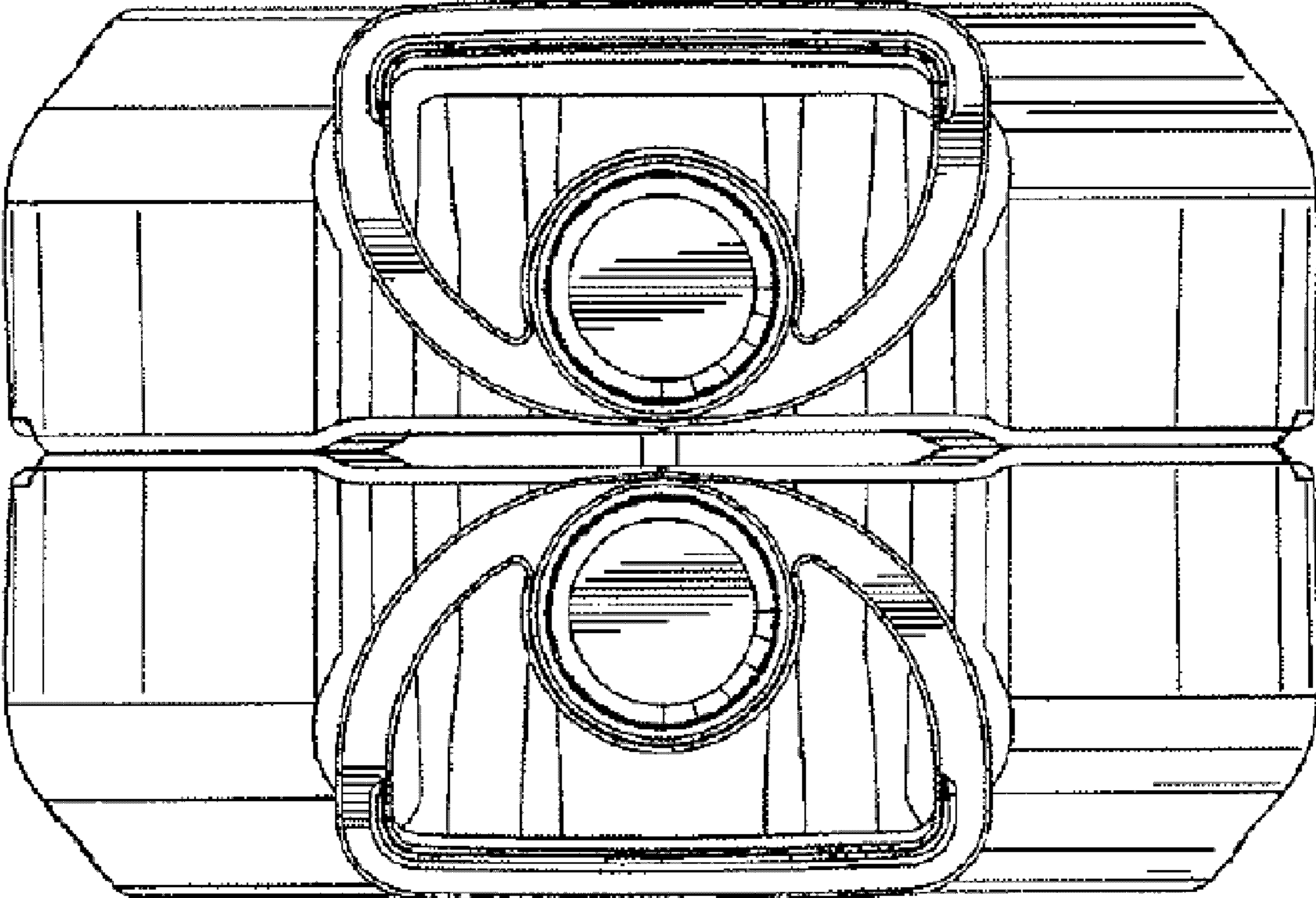


FIG. 3

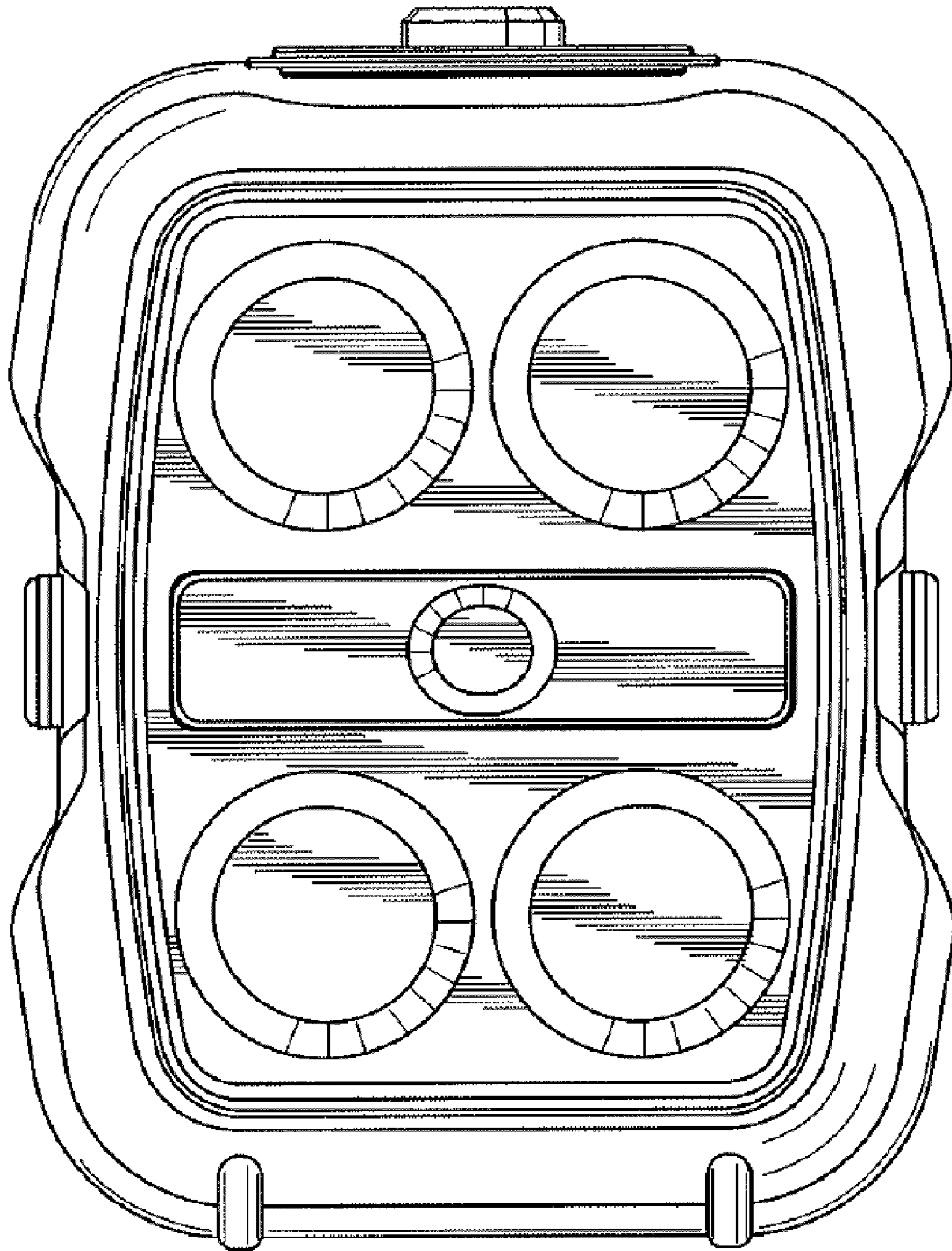


FIG. 4

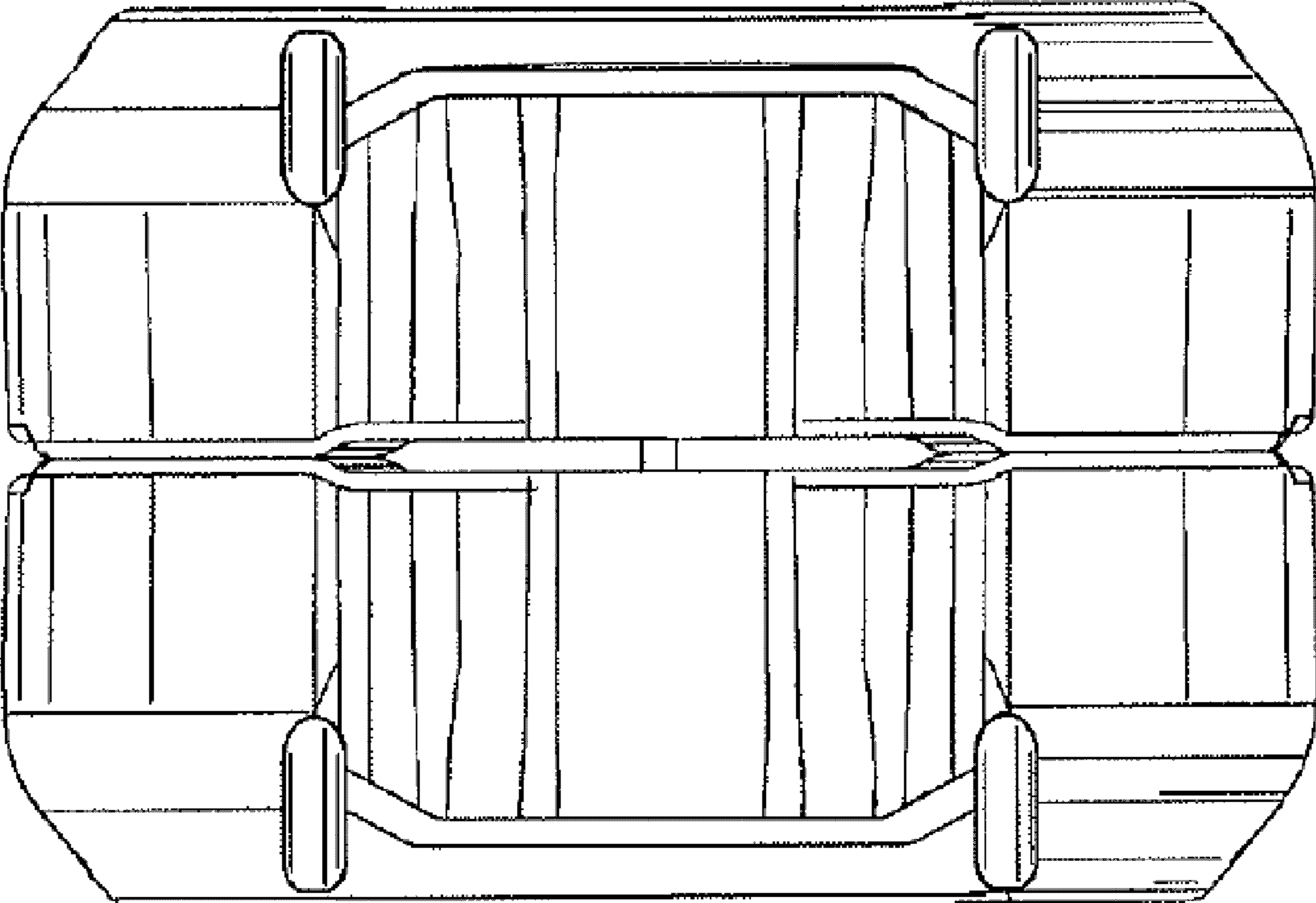


FIG. 5