



US00D638262S

(12) **United States Design Patent**
Eberstadt, Jr. et al.

(10) **Patent No.:** **US D638,262 S**

(45) **Date of Patent:** **** May 24, 2011**

(54) **SERVING TRAY**

(76) Inventors: **Rudolph Eberstadt, Jr.**, New Canaan, CT (US); **Rudolph Eberstadt, III**, New Canaan, CT (US)

(**) Term: **14 Years**

(21) Appl. No.: **29/379,982**

(22) Filed: **Nov. 29, 2010**

(51) **LOC (9) Cl.** **07-01**

(52) **U.S. Cl.** **D7/554.2**

(58) **Field of Classification Search** D7/550.1,
D7/552.1, 500, 553.1, 553.6, 553.7, 553.8,
D7/554.2, 555, 602; D30/128; D24/227;
D28/61, 73; D3/304; 206/565; 220/515,
220/751

See application file for complete search history.

(56) **References Cited**

U.S. PATENT DOCUMENTS

| | | | | | |
|-----------|-----|--------|-----------|-------|----------|
| 1,749,497 | A * | 3/1930 | McGlashan | | 119/61.1 |
| 3,228,577 | A * | 1/1966 | Croft | | 224/553 |
| D256,073 | S | 7/1980 | Caroee | | |
| D285,634 | S * | 9/1986 | McBean | | D6/513 |
| D300,702 | S * | 4/1989 | Larson | | D6/513 |

| | | | | | |
|-----------|------|---------|----------|-------|----------|
| 5,215,040 | A * | 6/1993 | Lemley | | 119/57.9 |
| D448,125 | S * | 9/2001 | Ranly | | D30/121 |
| D469,930 | S * | 2/2003 | Bloedorn | | D30/124 |
| 6,758,010 | B2 * | 7/2004 | Wright | | 47/67 |
| D558,085 | S * | 12/2007 | Jenkins | | D11/148 |
| 7,770,305 | B1 * | 8/2010 | Krauss | | 34/60 |

* cited by examiner

Primary Examiner — Elizabeth A Albert

Assistant Examiner — Kelley A Donnelly

(74) *Attorney, Agent, or Firm* — Michael A. Blake

(57) **CLAIM**

The ornamental design for a serving tray, as shown and described.

DESCRIPTION

FIG. 1 is a top perspective view of the serving tray;

FIG. 2 is a front view thereof;

FIG. 3 is a rear view thereof;

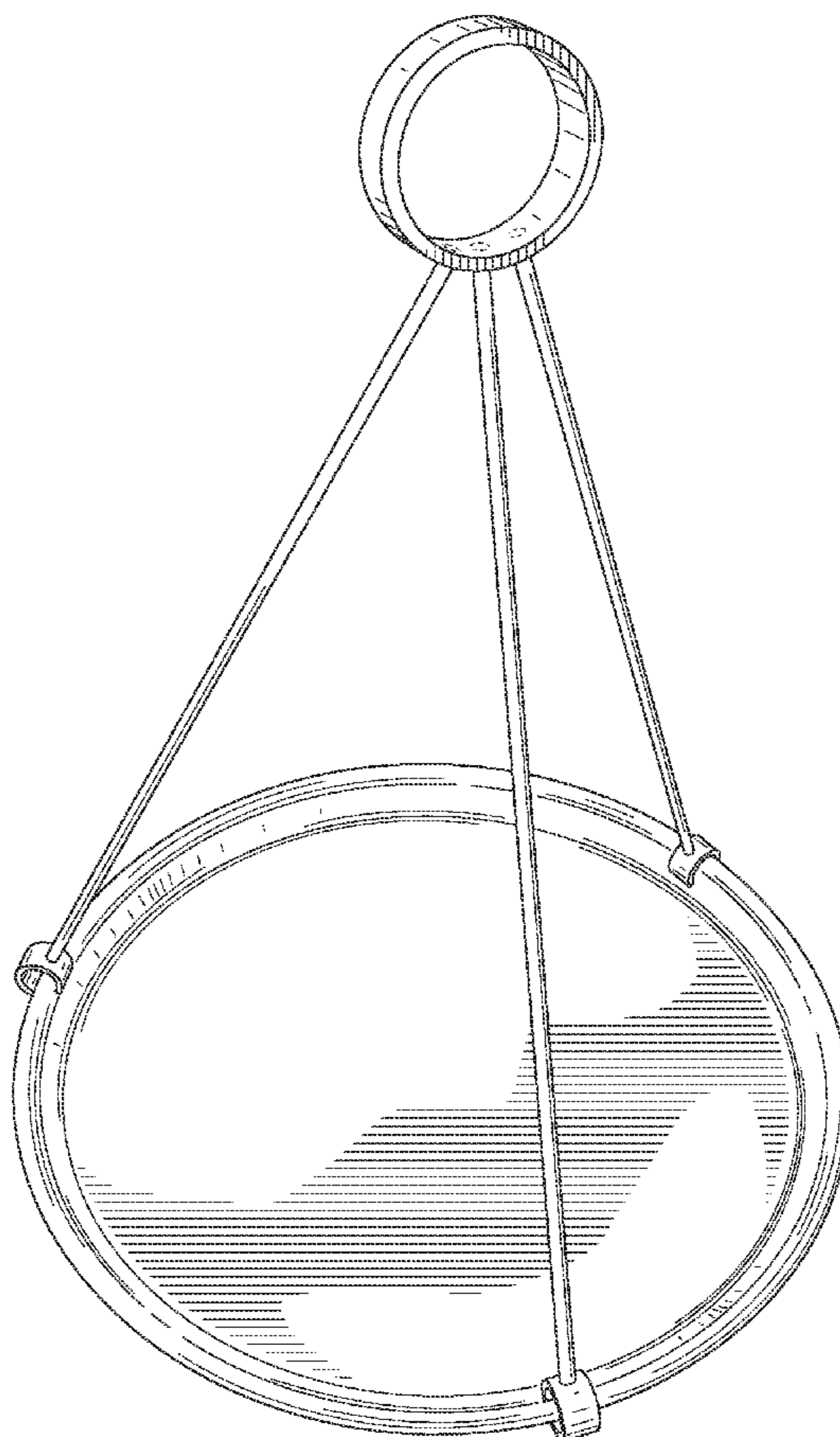
FIG. 4 is a side view thereof;

FIG. 5 is a top view thereof; and,

FIG. 6 is a bottom view thereof.

The broken line showing is for the purpose of illustrating the environment of the design and forms no part of the claimed design.

1 Claim, 6 Drawing Sheets



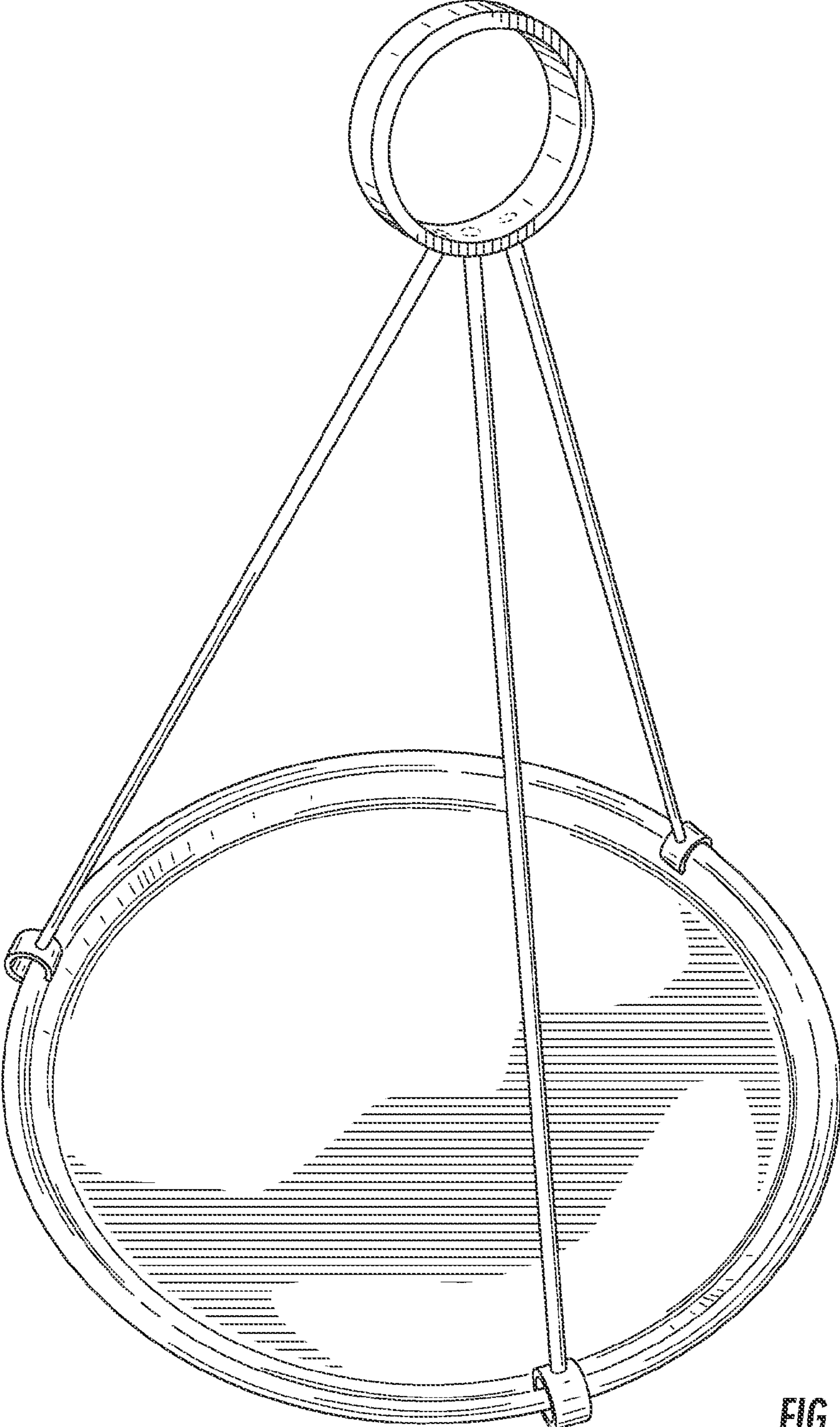


FIG. 1

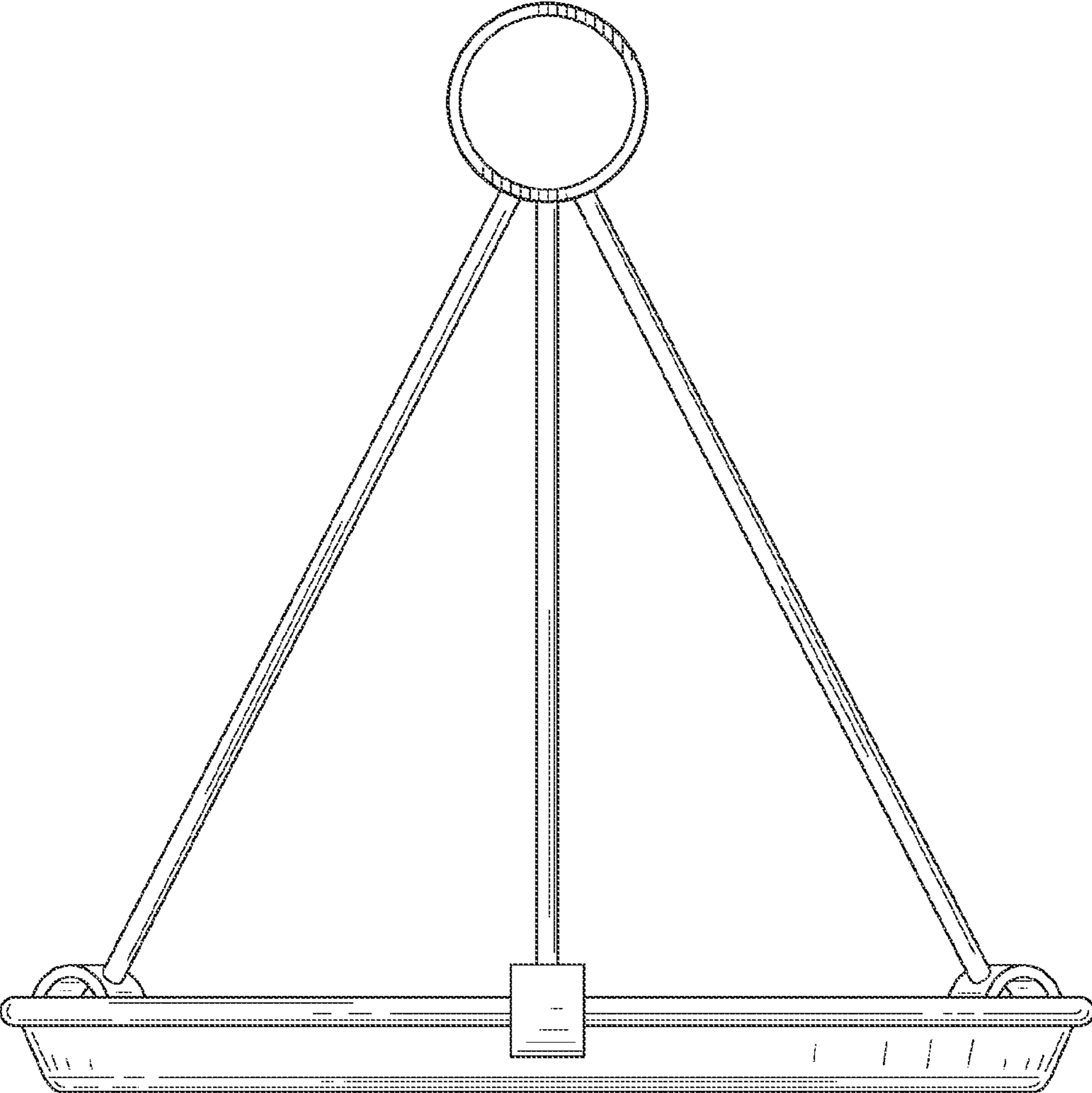


FIG. 2

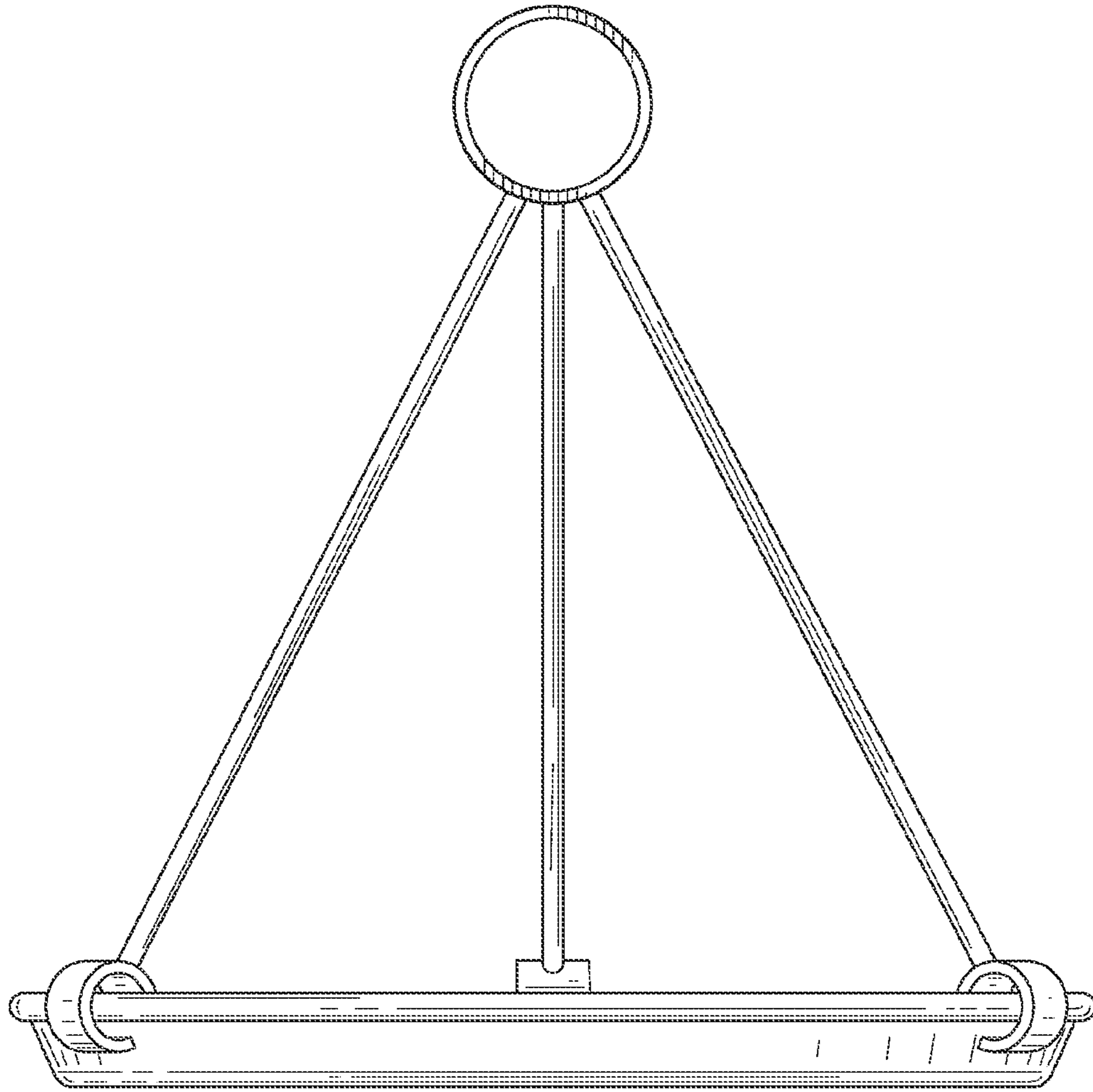


FIG. 3

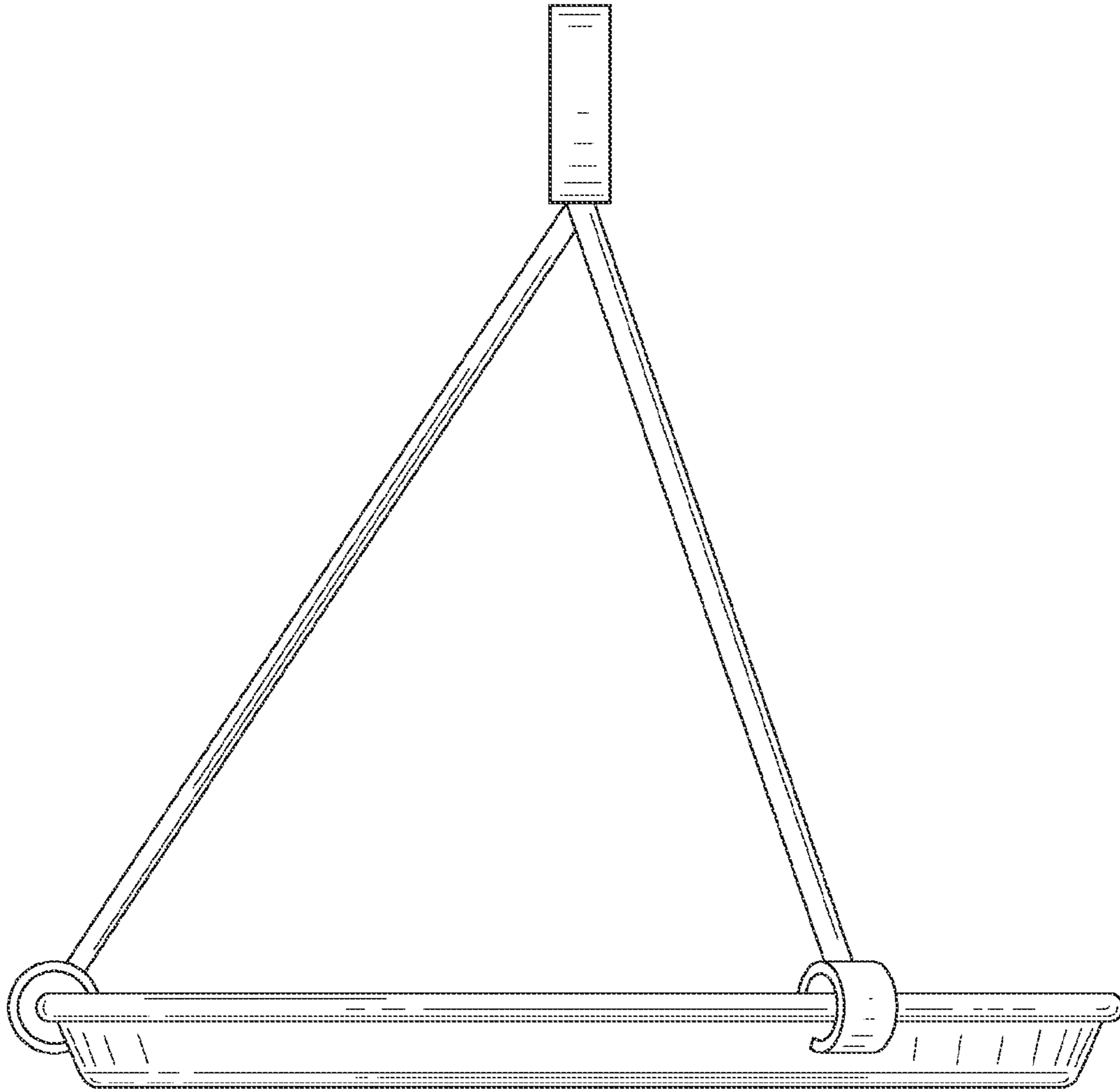


FIG. 4

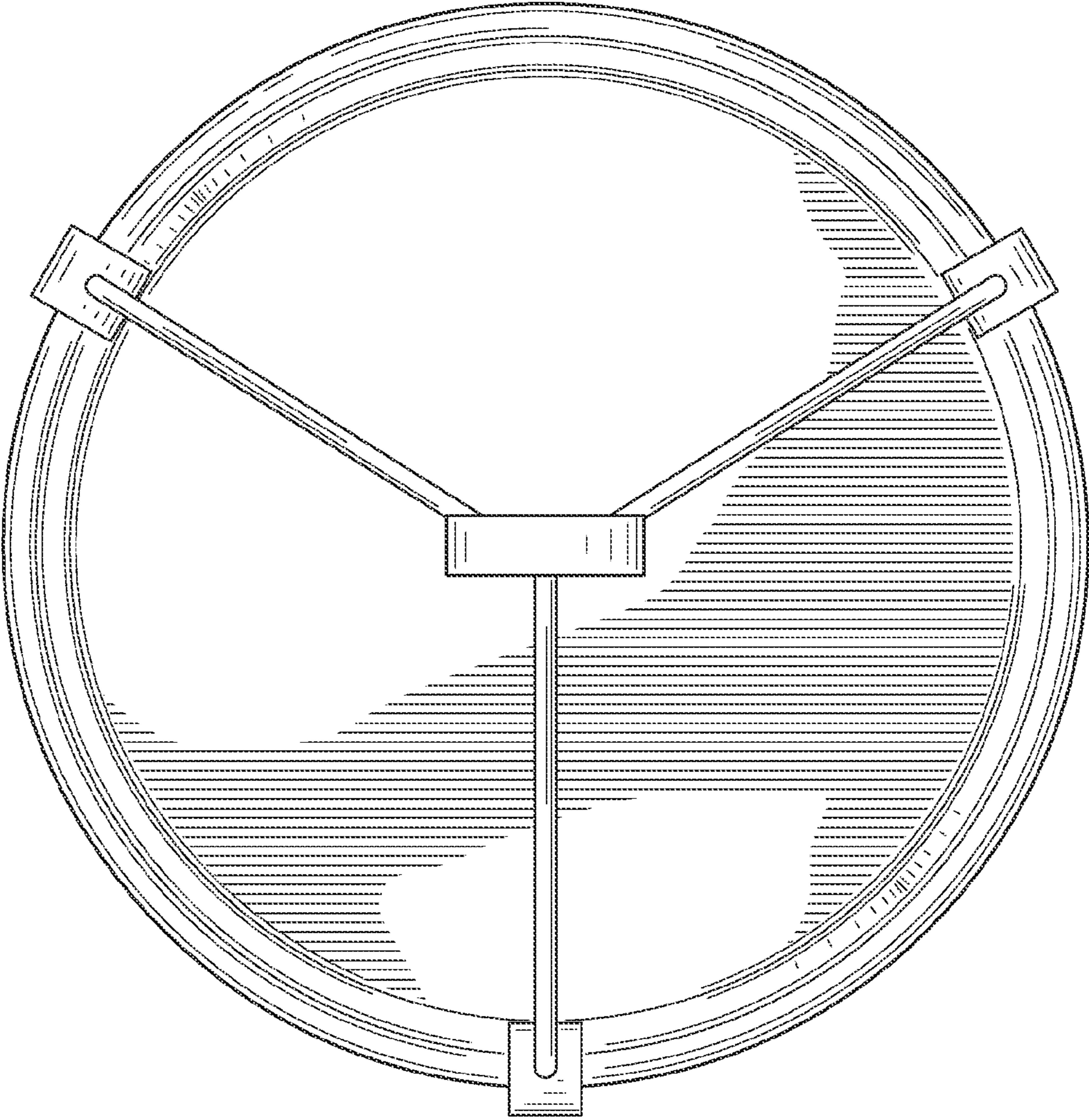


FIG. 5

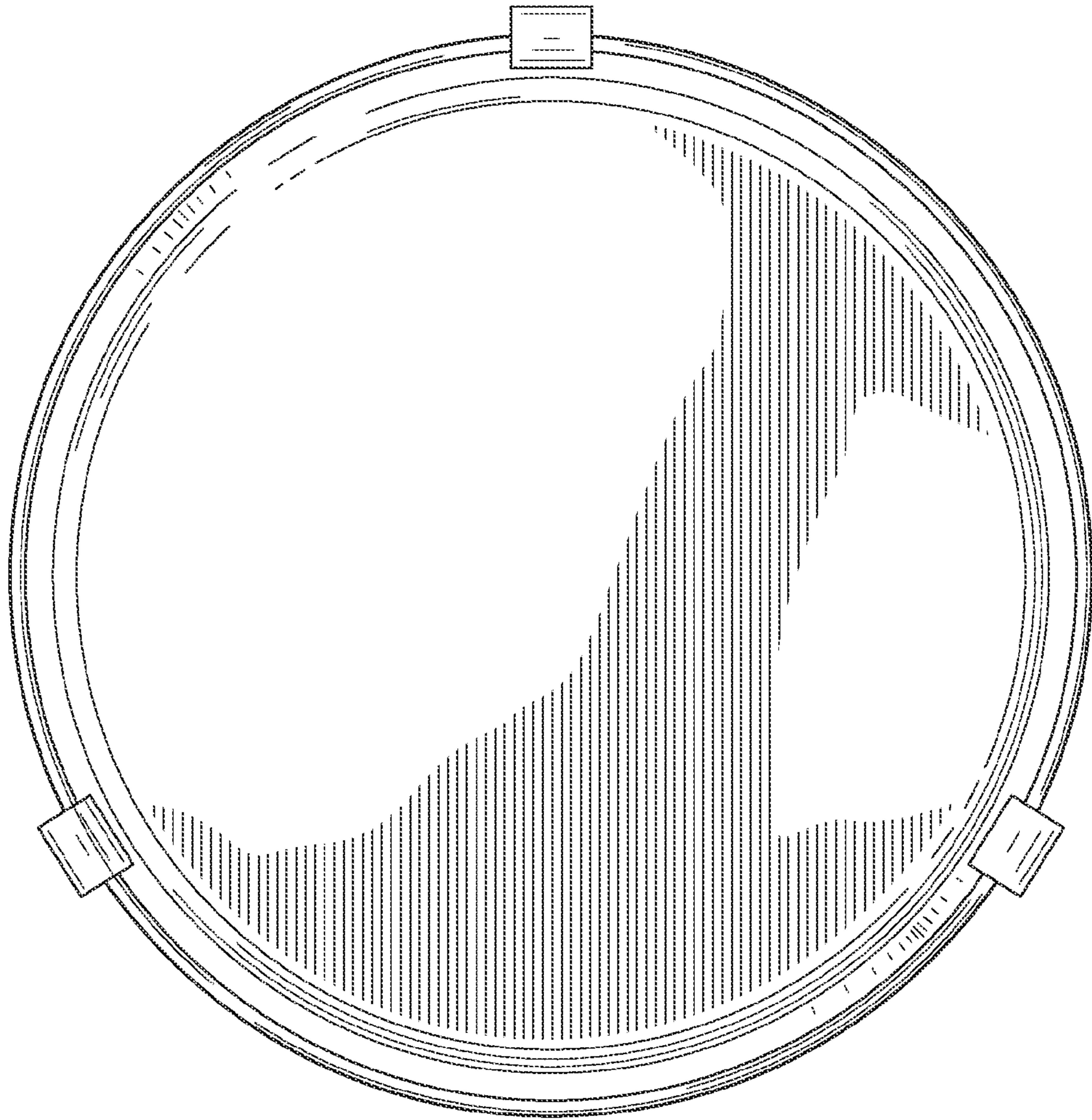


FIG. 6