



US00D638260S

(12) **United States Design Patent**
Lin

(10) **Patent No.:** **US D638,260 S**

(45) **Date of Patent:** **** May 24, 2011**

- (54) **UPPER HOUSING OF A GRILL**
- (75) Inventor: **Chengchuan Lin**, Fujian Province (CN)
- (73) Assignee: **Tsann Kuen (Zhangzhou) Enterprise Co., Ltd.**, Zhangzhou (CN)
- (**) Term: **14 Years**

- (21) Appl. No.: **29/354,536**
- (22) Filed: **Jan. 26, 2010**
- (51) **LOC (9) Cl.** **07-02**
- (52) **U.S. Cl.** **D7/402**
- (58) **Field of Classification Search** D7/323,
D7/328-332, 334-341, 347-349, 352-363,
D7/609; 99/219, 331, 339-340, 349, 369,
99/372-375, 385-386, 389, 425, 444, 446,
99/466, 601; 219/524-525, 620-622, 732-734
See application file for complete search history.

(56) **References Cited**

U.S. PATENT DOCUMENTS

D383,353 S *	9/1997	Piret	D7/352
D407,598 S *	4/1999	Deni et al.	D7/337
D413,760 S *	9/1999	Tsai et al.	D7/352
D435,755 S *	1/2001	Deni	D7/352
D475,237 S *	6/2003	Lin	D7/352
D504,048 S *	4/2005	Joss et al.	D7/402
D505,045 S *	5/2005	Assmann	D7/367
D522,802 S *	6/2006	Dreimann et al.	D7/352
D526,154 S *	8/2006	Dreimann et al.	D7/352

D528,350 S *	9/2006	McHutchison	D7/352
D528,852 S *	9/2006	Pai	D7/337
D532,646 S *	11/2006	Moore	D7/352
D541,580 S *	5/2007	Dreimann et al.	D7/352
D568,090 S *	5/2008	Lam	D7/352
D572,968 S *	7/2008	Doo	D7/352
D583,186 S *	12/2008	Barnes	D7/352
D592,005 S *	5/2009	Richardson et al.	D7/337
D594,695 S *	6/2009	Lin	D7/360

* cited by examiner

Primary Examiner — T. Chase Nelson

Assistant Examiner — Mark Cavanna

(74) *Attorney, Agent, or Firm* — Rabin & Berdo, P.C.

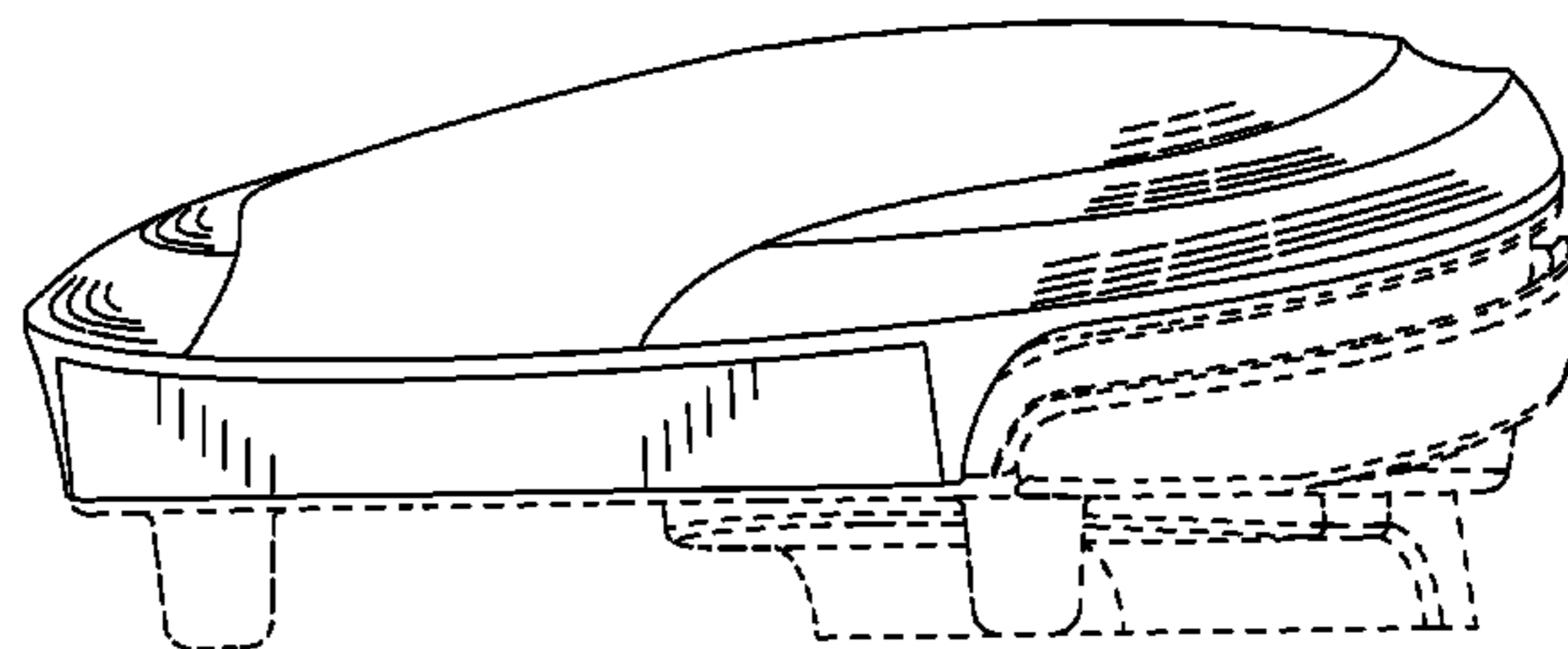
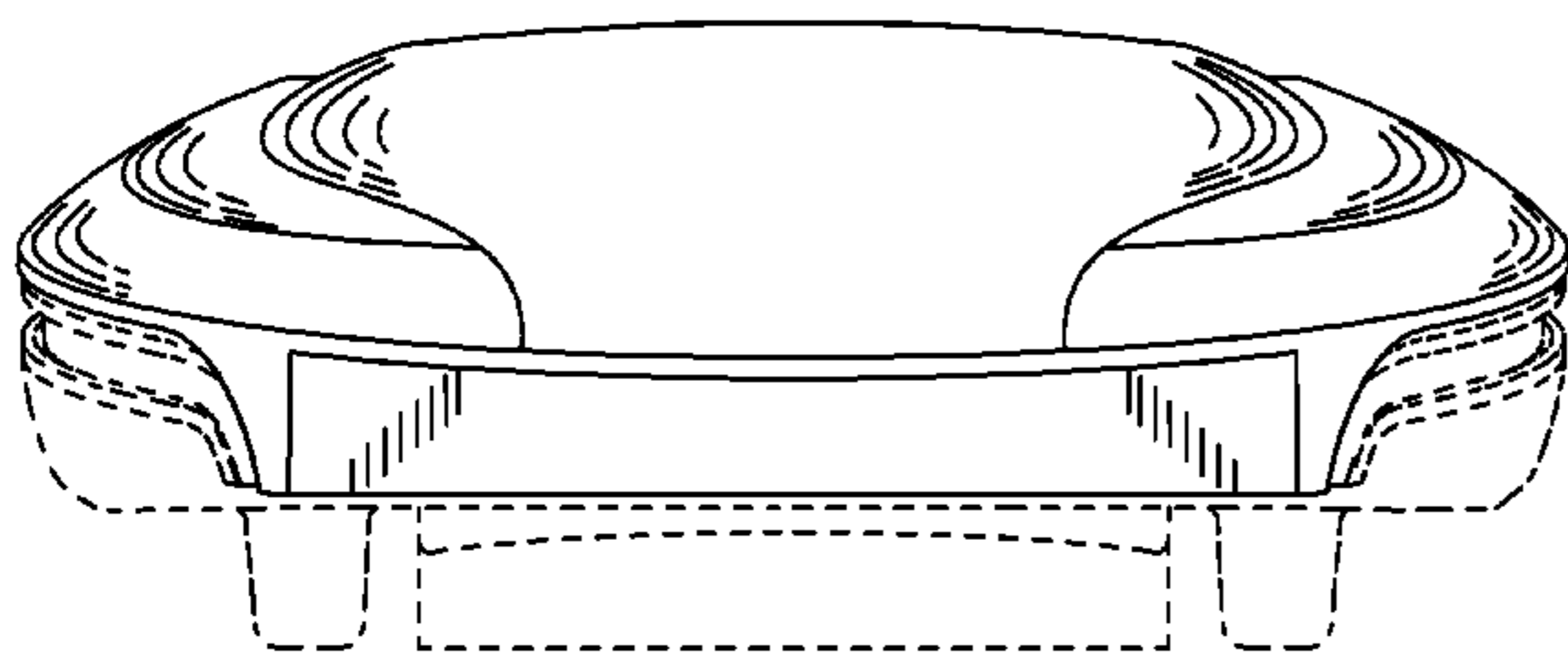
(57) **CLAIM**

The ornamental design for a upper housing of a grill, as shown and described.

DESCRIPTION

FIG. 1 is a front view thereof;
 FIG. 2 is a back view thereof;
 FIG. 3 is a left side view thereof;
 FIG. 4 is a right side view thereof;
 FIG. 5 is a top plan view thereof;
 FIG. 6 is a bottom plan view thereof; and,
 FIG. 7 is a top front right perspective view of a upper housing of a grill showing my new design.
 The broken lines in the drawings are for illustrative purposes only and form no part of the claimed design.

1 Claim, 7 Drawing Sheets



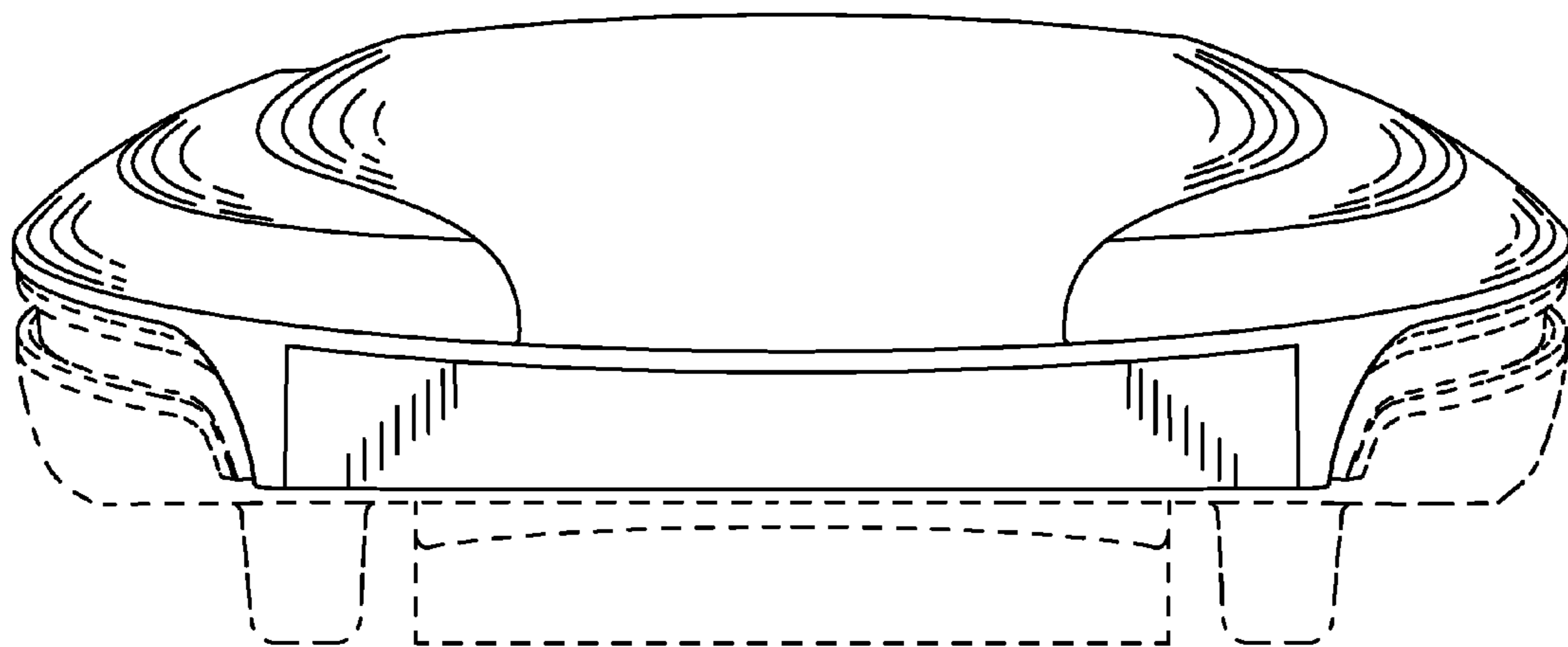


FIG. 1

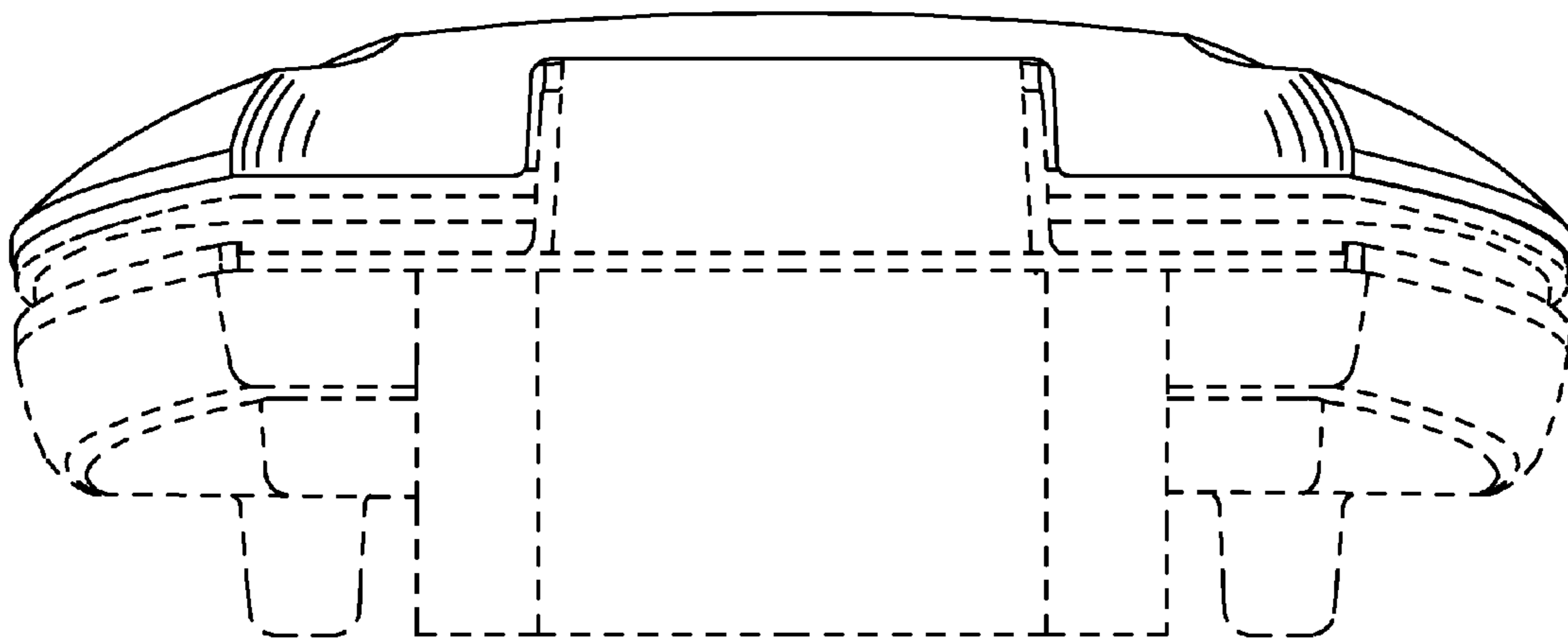


FIG. 2

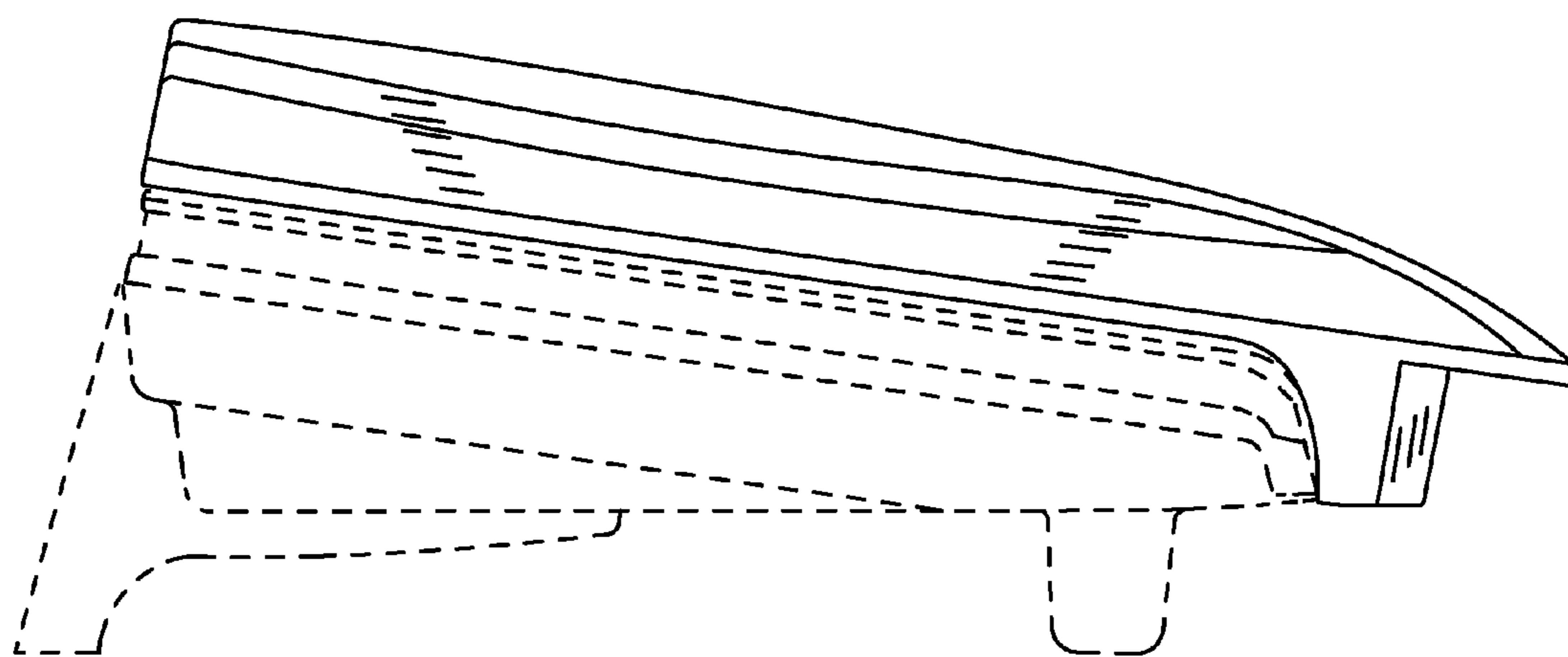


FIG. 3

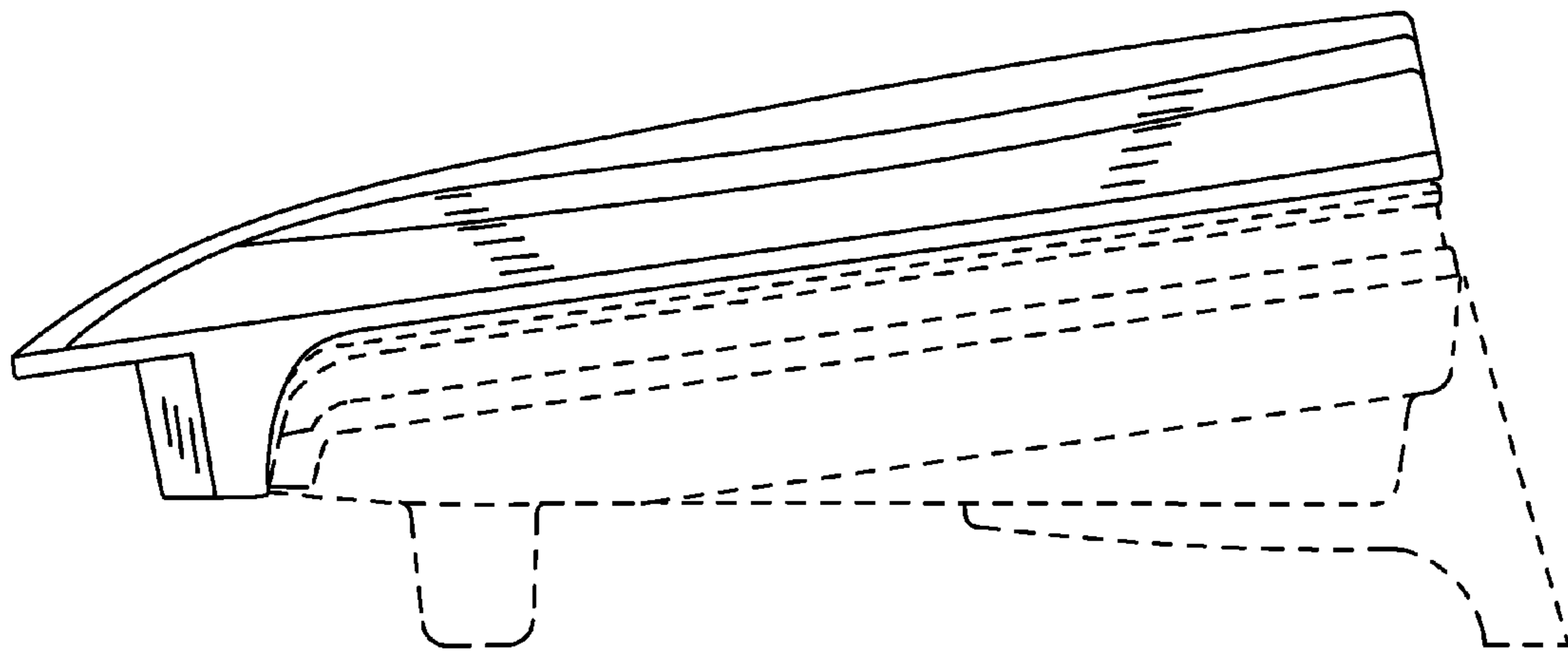


FIG. 4

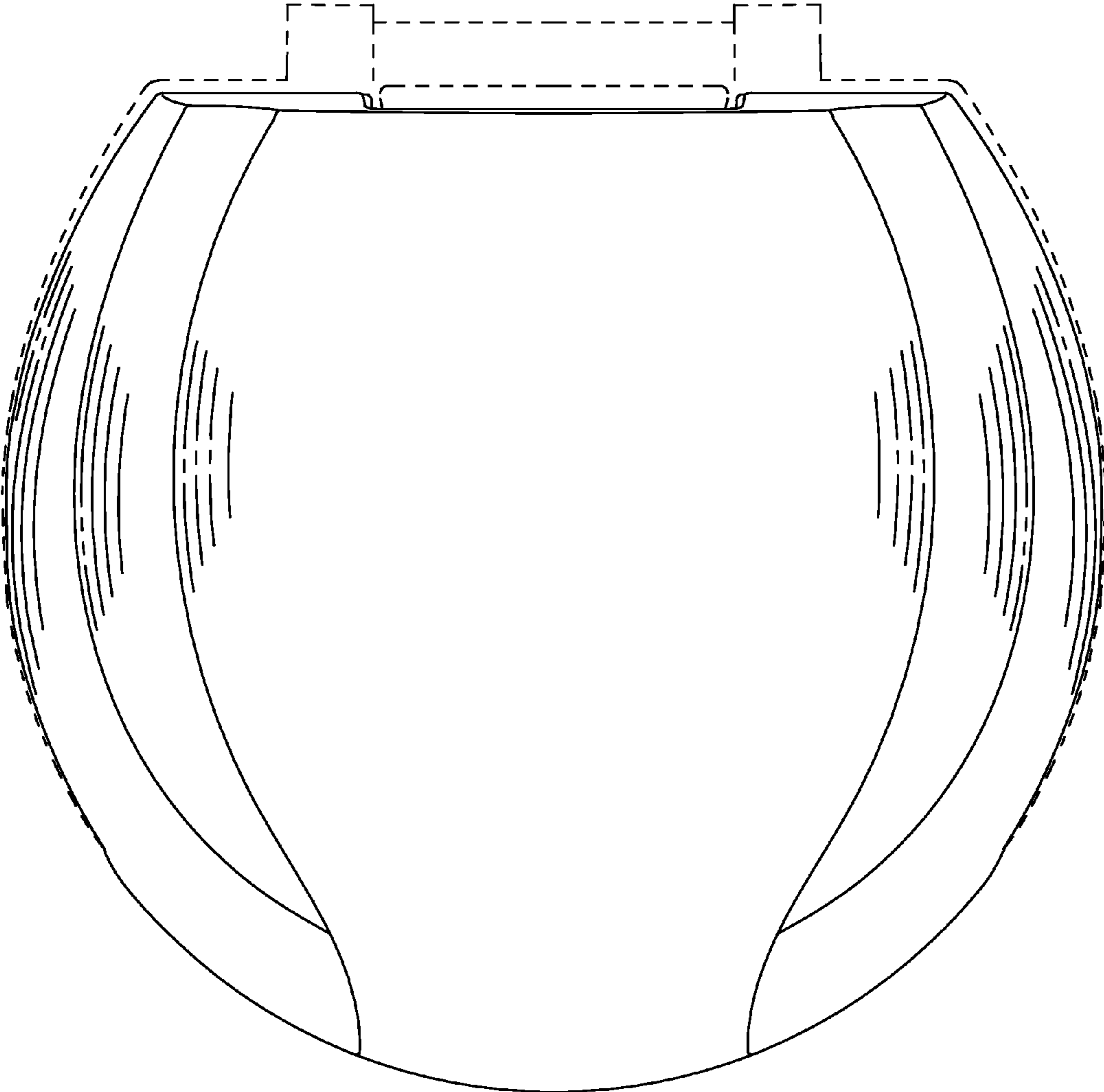


FIG. 5

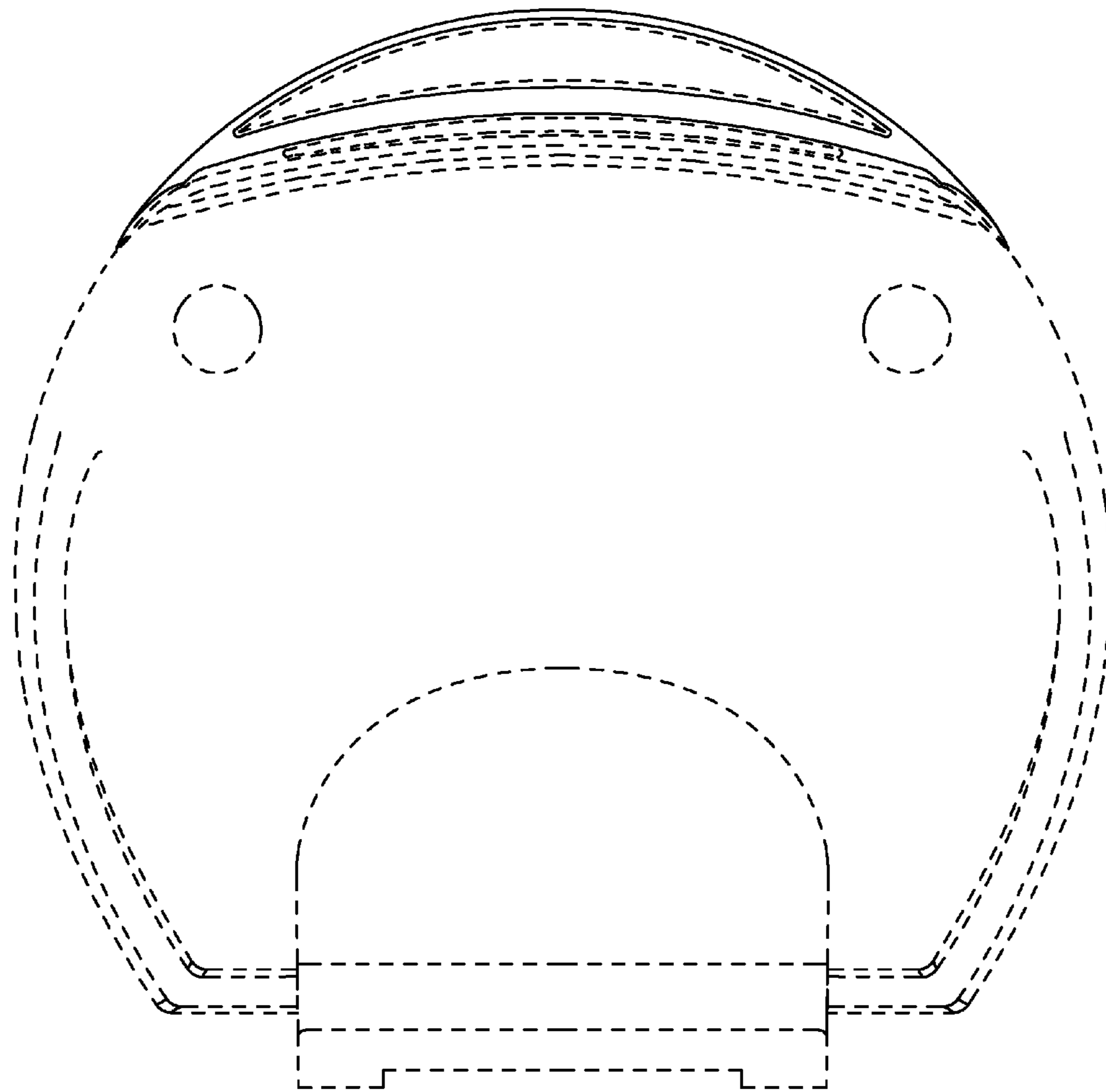


FIG. 6

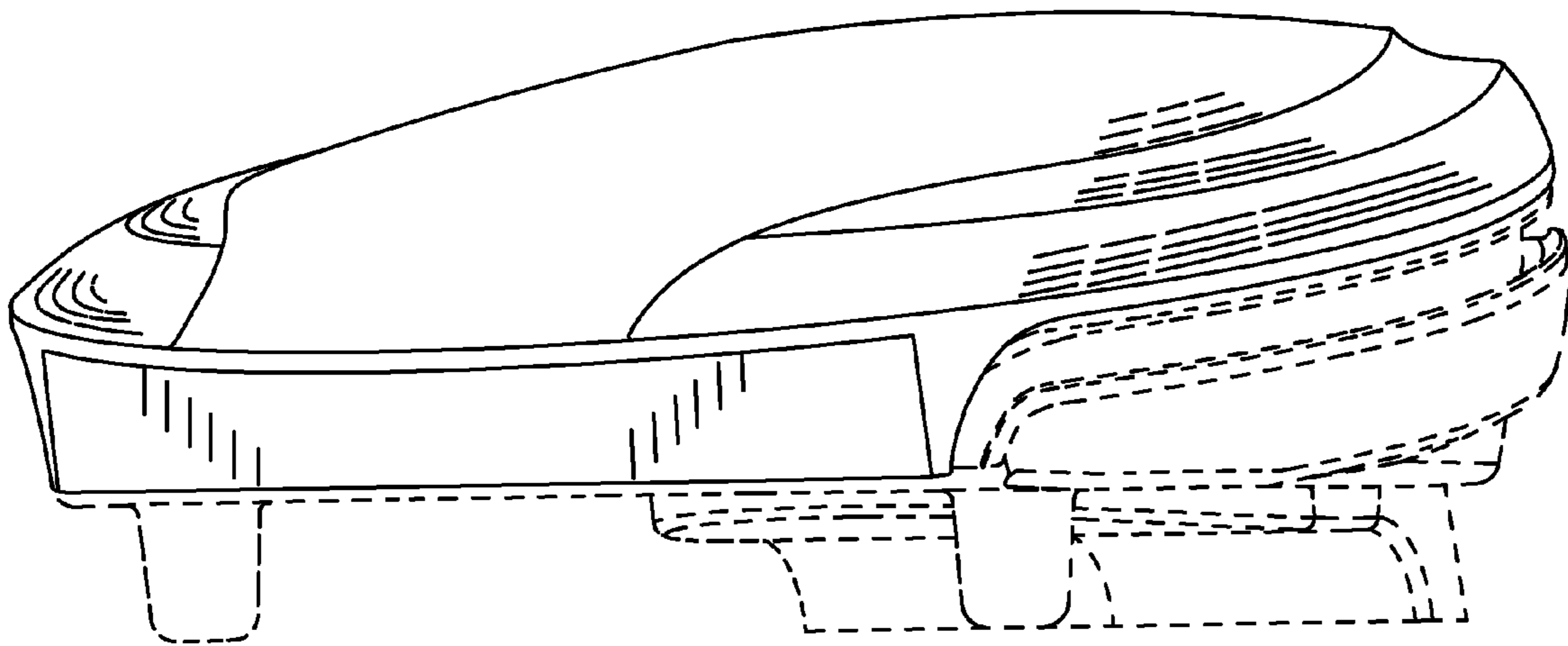


FIG. 7