



US00D638257S

(12) **United States Design Patent**
Bergne

(10) **Patent No.:** **US D638,257 S**

(45) **Date of Patent:** **** May 24, 2011**

(54) **SIDE HANDLE FOR COOKING UTENSIL**

(75) Inventor: **Sebastian Bergne**, London (GB)

(73) Assignee: **Tefal**, Rumilly (FR)

(**) Term: **14 Years**

(21) Appl. No.: **29/363,793**

(22) Filed: **Jun. 14, 2010**

(30) **Foreign Application Priority Data**

Dec. 15, 2009 (FR) 09 6138

(51) **LOC (9) Cl.** **07-02**

(52) **U.S. Cl.** **D7/393**

(58) **Field of Classification Search** D7/354-361,
D7/391, 393, 394; D8/300, 301, 305, 307,
D8/308, 310, 311, 312, 316, 319, 320; 220/752;
16/110.1, 402, 410, 412, 414, 417, 433, 441-443;
D3/318; D4/129

See application file for complete search history.

(56) **References Cited**

U.S. PATENT DOCUMENTS

D174,223 S * 3/1955 Decatur, III D7/393
D178,930 S * 10/1956 Berwyn, Jr. D7/393
D377,581 S * 1/1997 Rohrer D7/393

D410,817 S * 6/1999 Brunianyn D7/393
D436,000 S * 1/2001 Munari D7/393
D448,972 S * 10/2001 Knorr D7/393
D461,092 S * 8/2002 Coudurier D7/393
D527,577 S * 9/2006 Magnouloux D7/393
D555,423 S * 11/2007 Hoff D7/393
D577,953 S * 10/2008 Plichon D7/393
D578,343 S * 10/2008 Magnouloux D7/393
D617,604 S * 6/2010 Munari D7/393

* cited by examiner

Primary Examiner — Cynthia M Chin

(74) *Attorney, Agent, or Firm* — Young & Thompson

(57) **CLAIM**

The ornamental design for a side handle for cooking utensil, as shown and described.

DESCRIPTION

FIG. 1 is a perspective view of a side handle for cooking utensil, showing my new design;

FIG. 2 is a side elevational view thereof;

FIG. 3 is a top plan view thereof;

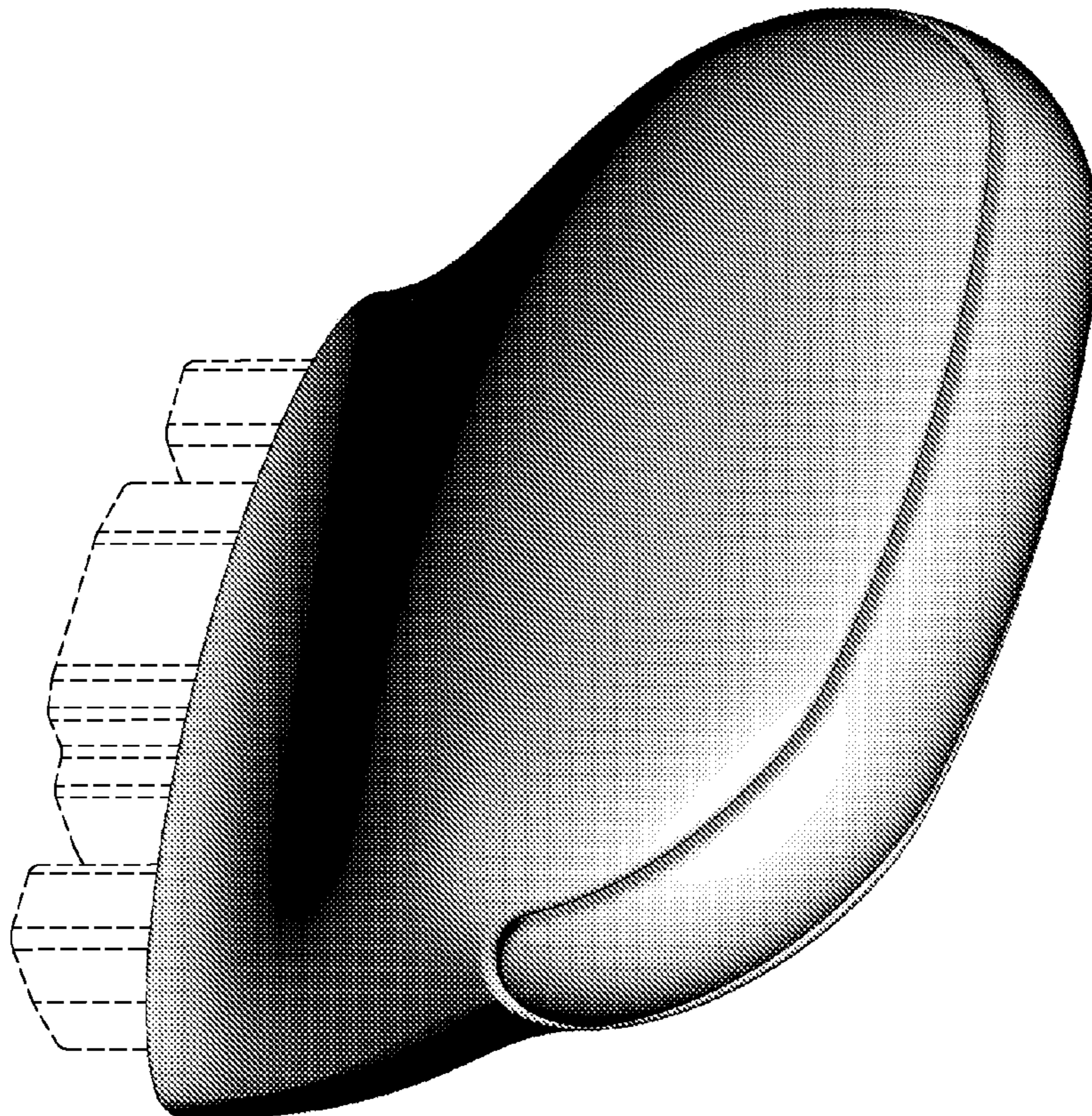
FIG. 4 is a bottom plan view thereof;

FIG. 5 is a view thereof from the right of FIG. 3; and,

FIG. 6 is a view thereof from the left of FIG. 3.

The broken lines shown are included for the purpose of illustrating the unclaimed portions of the handle and form no part of the claimed design.

1 Claim, 6 Drawing Sheets



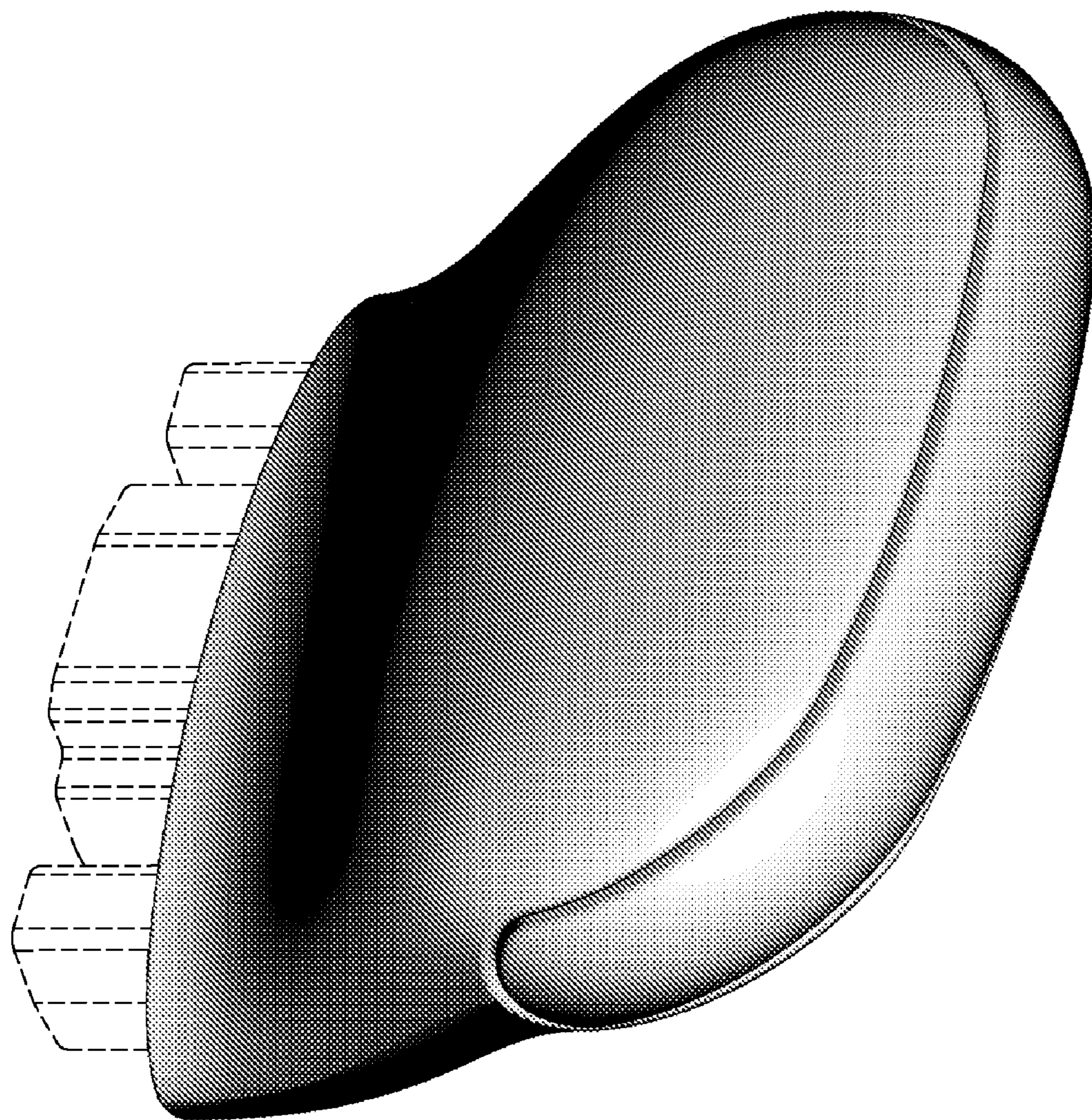


FIG. 1

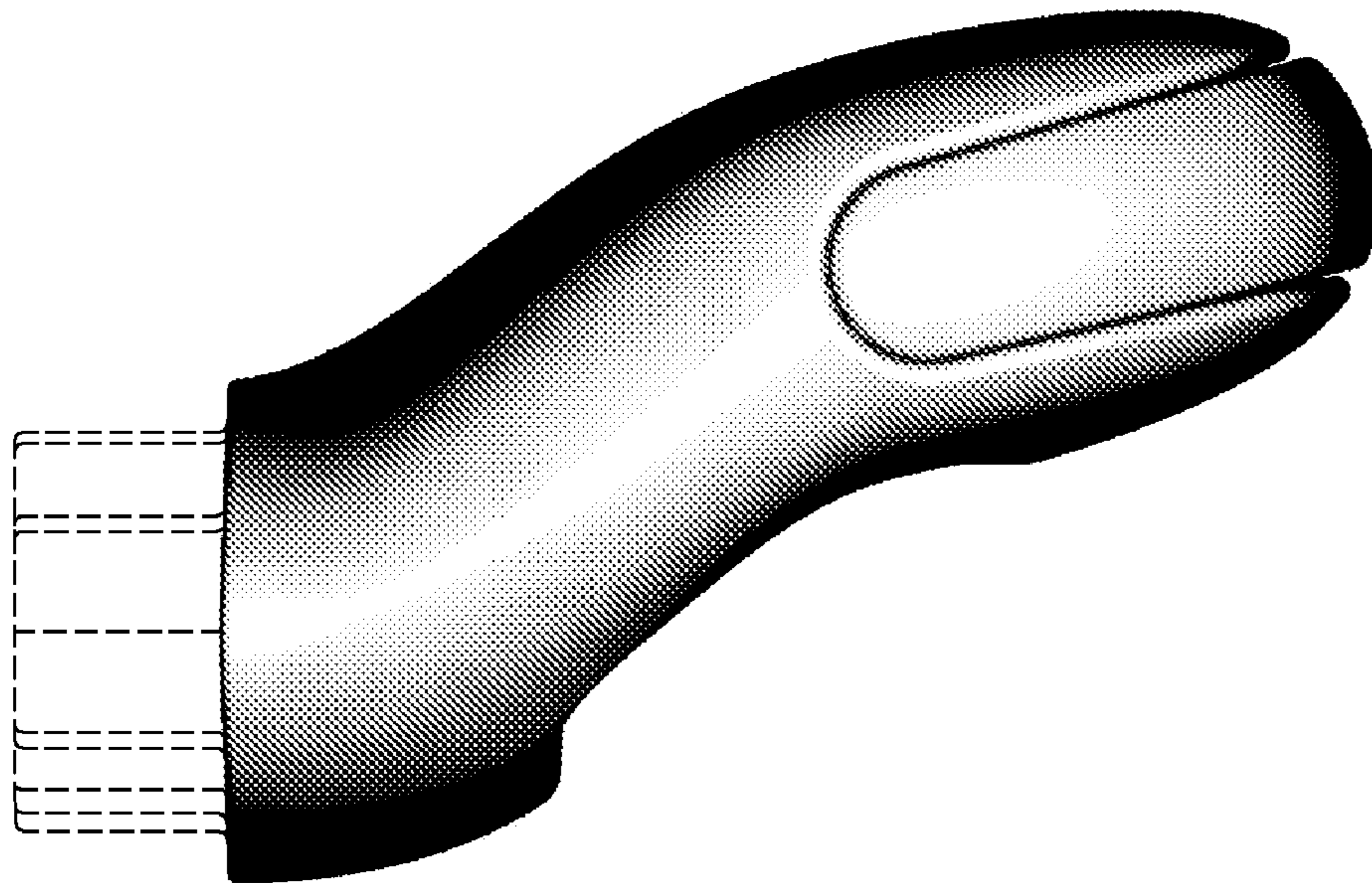


FIG. 2

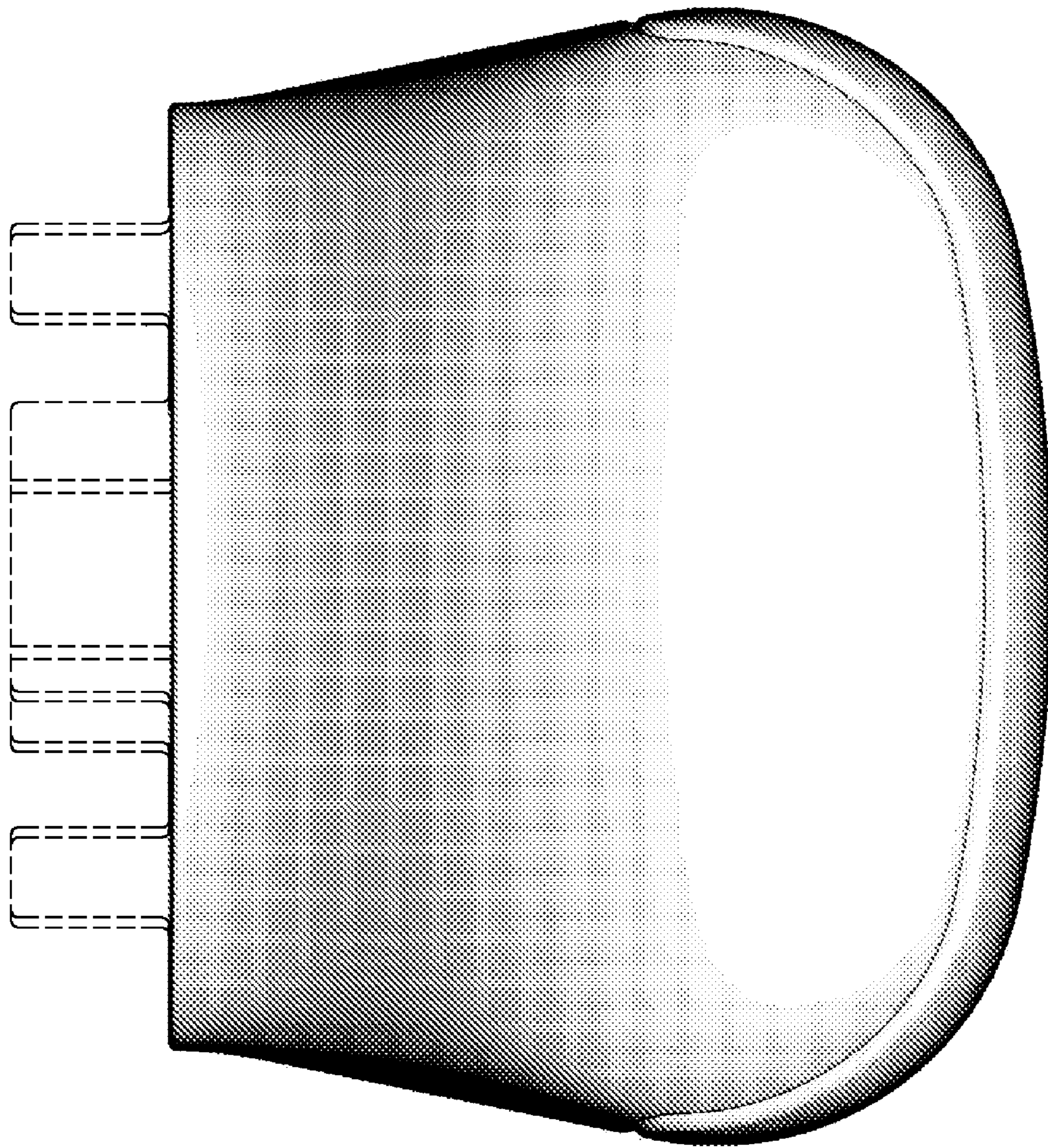


FIG. 3

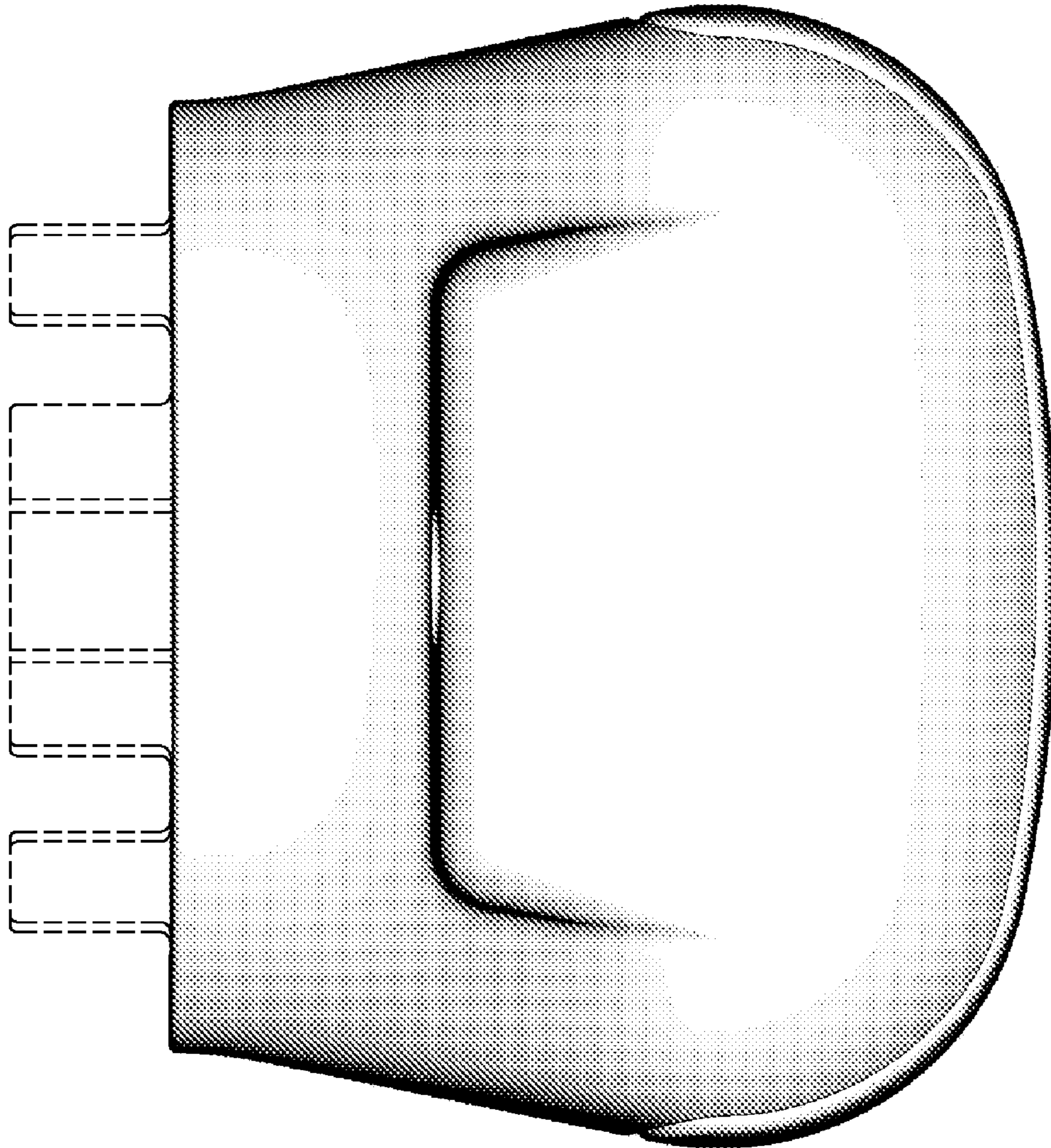


FIG. 4

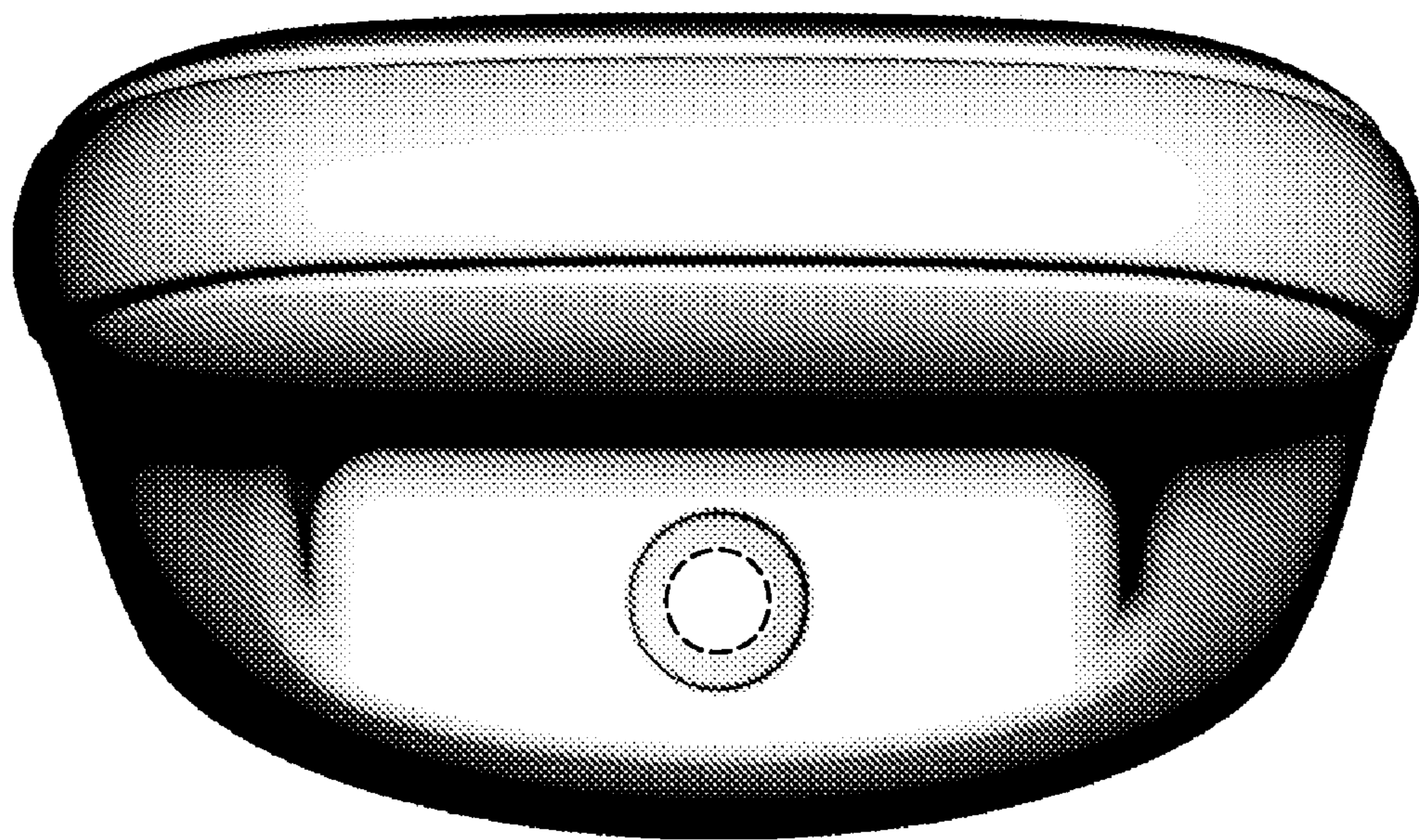


FIG. 5

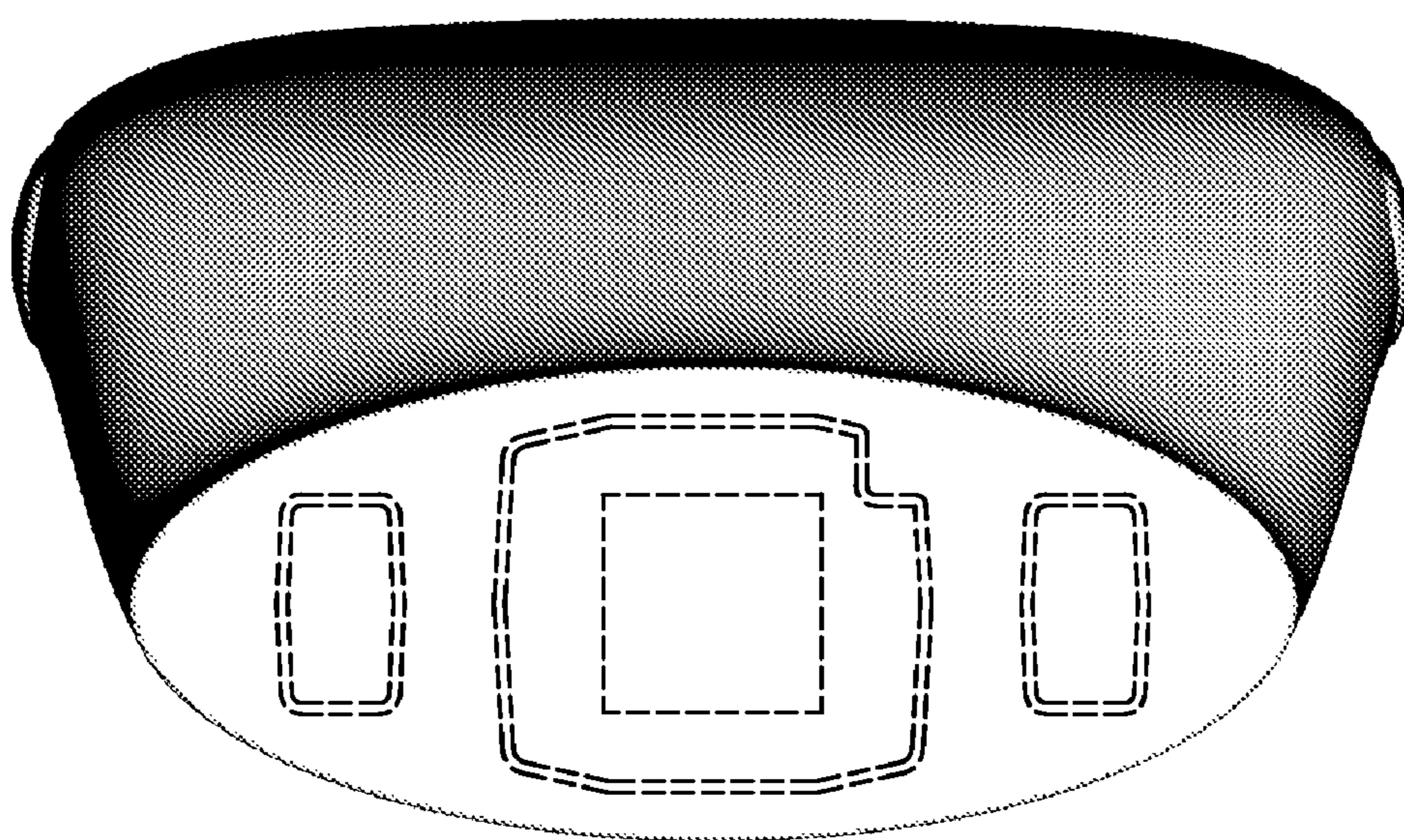


FIG. 6