



US00D638256S

(12) **United States Design Patent**
Wu

(10) **Patent No.:** **US D638,256 S**

(45) **Date of Patent:** **** May 24, 2011**

(54) **JUICER**

(56)

References Cited

(75) Inventor: **Andy Wu**, Fujian (CN)

(73) Assignee: **Quanzhou Yida Home Appliance Industry Co., Ltd.**, Fujian (CN)

(**) Term: **14 Years**

(21) Appl. No.: **29/383,076**

(22) Filed: **Jan. 12, 2011**

(51) **LOC (9) Cl.** **31-00**

(52) **U.S. Cl.** **D7/378; D7/376; D7/384**

(58) **Field of Classification Search** D7/305–311,
D7/317–318, 368, 372, 376–386, 412–415,
D7/665; 99/326, 348, 508–511; 241/30–37.5,
241/101.01–101.2, 166–169.1, 282.2, 285.1–285.3,
241/291, 292.1; 366/64–67, 98, 142, 197–211,
366/241–254, 279–292, 341–347; 416/75–76,
416/70 R, 163

See application file for complete search history.

U.S. PATENT DOCUMENTS

D232,297	S	*	8/1974	Mantelet	D7/378
D336,590	S	*	6/1993	Barnard	D7/378
D466,362	S	*	12/2002	Moore	D7/378
D466,759	S	*	12/2002	Moore	D7/378
D498,642	S	*	11/2004	Huang	D7/378
D587,961	S	*	3/2009	Lavy	D7/378
D618,049	S	*	6/2010	Wu	D7/378

* cited by examiner

Primary Examiner — Ricky Pham

(74) *Attorney, Agent, or Firm* — Alan Kamrath; Kamrath & Associates PA

(57)

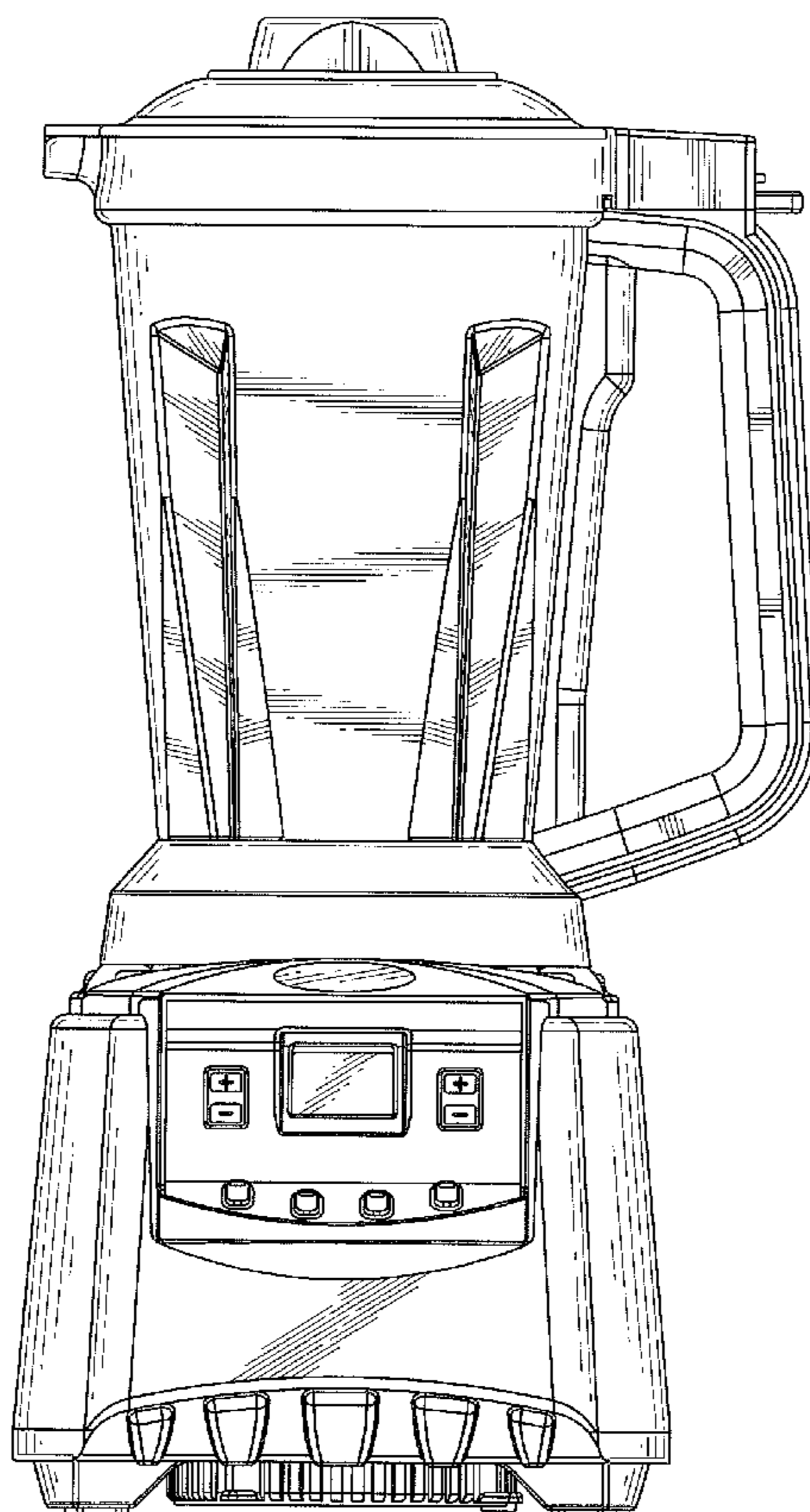
CLAIM

The ornamental design for a juicer, as shown and described.

DESCRIPTION

FIG. 1 is a front elevational view of a juicer showing my new design;
FIG. 2 is a rear elevational view thereof;
FIG. 3 is a left side view thereof;
FIG. 4 is a right side elevational view thereof;
FIG. 5 is a top plan view thereof; and,
FIG. 6 is a bottom plan view thereof.

1 Claim, 5 Drawing Sheets



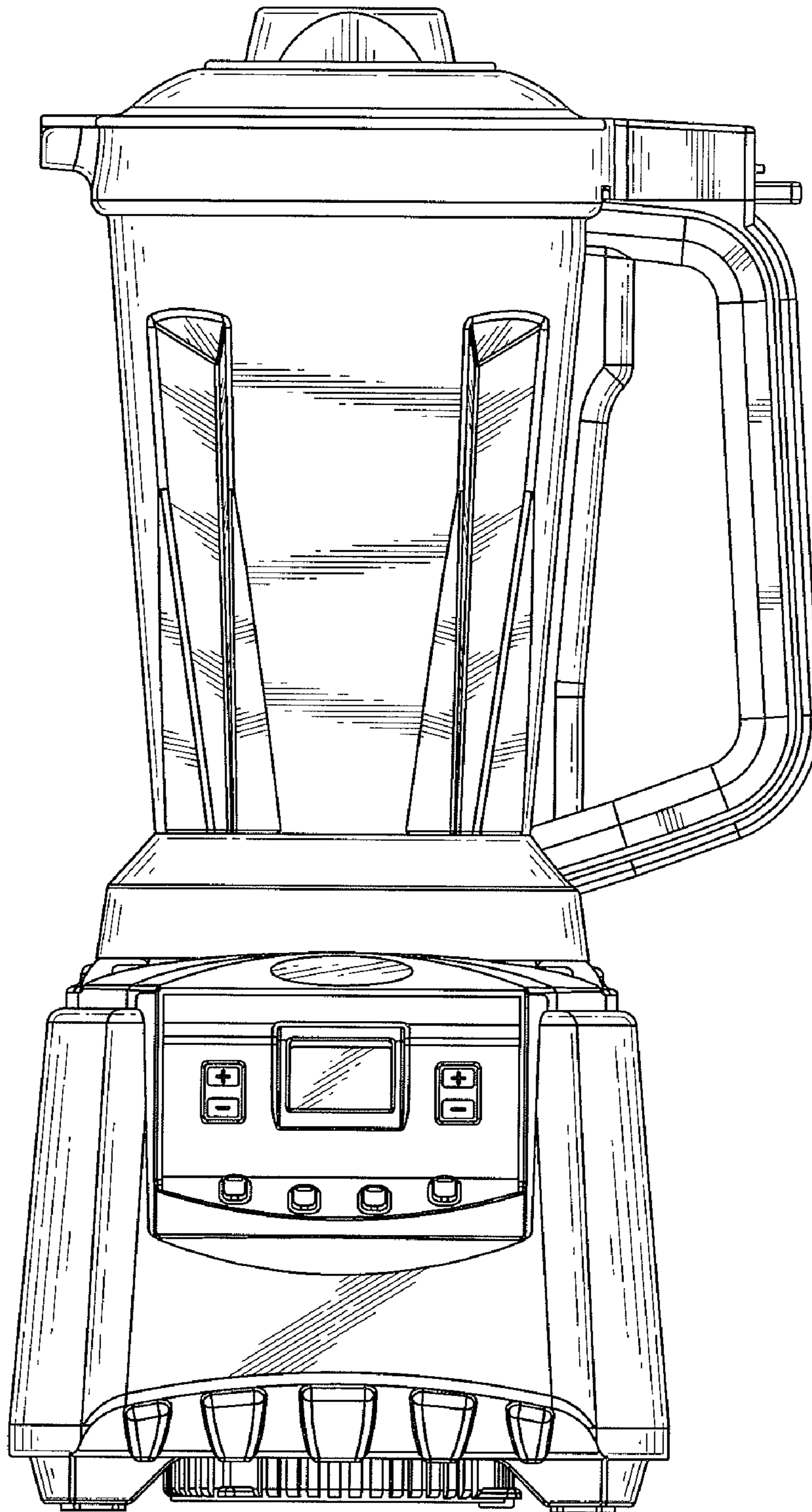


FIG. 1

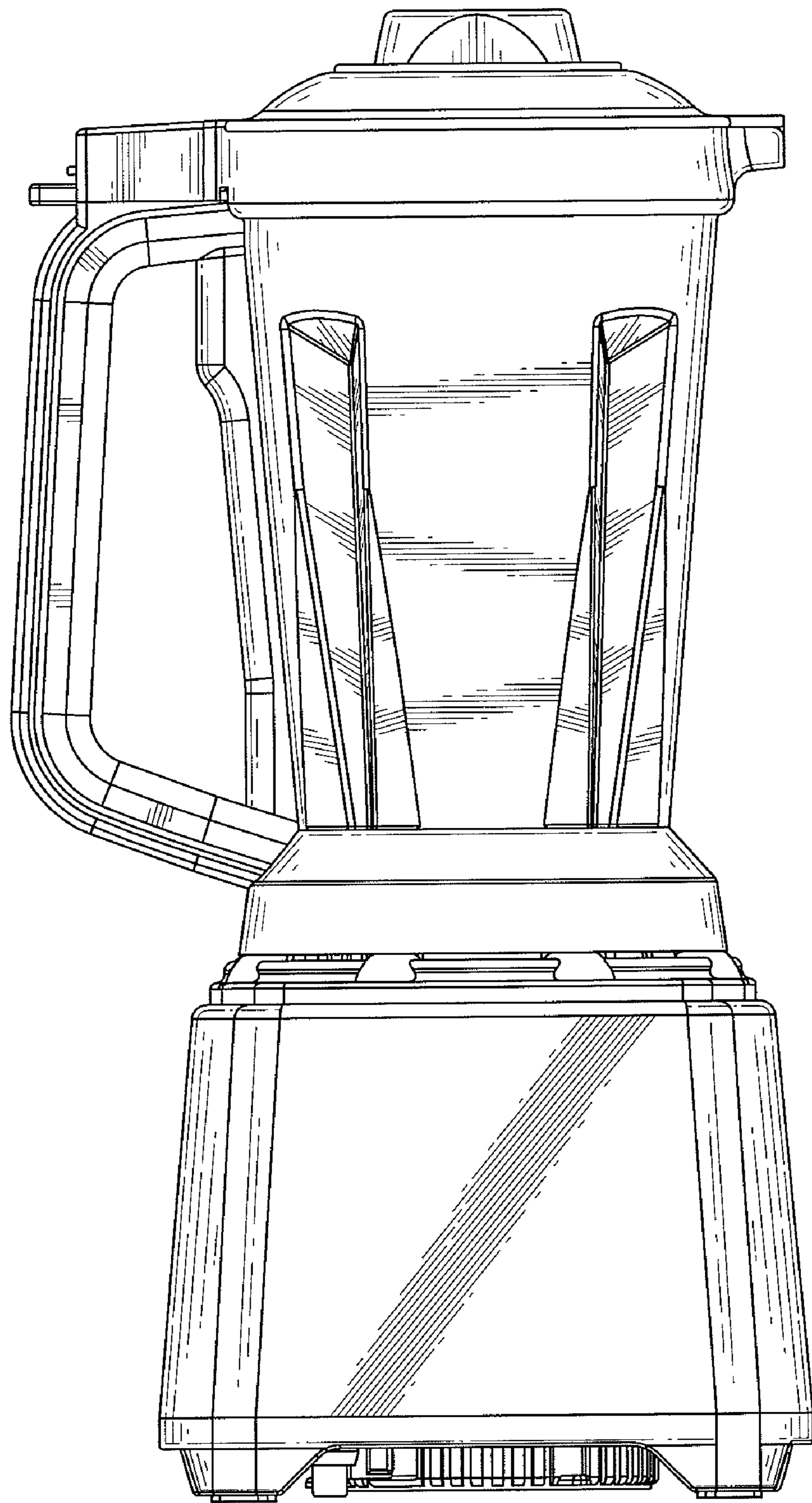


FIG. 2

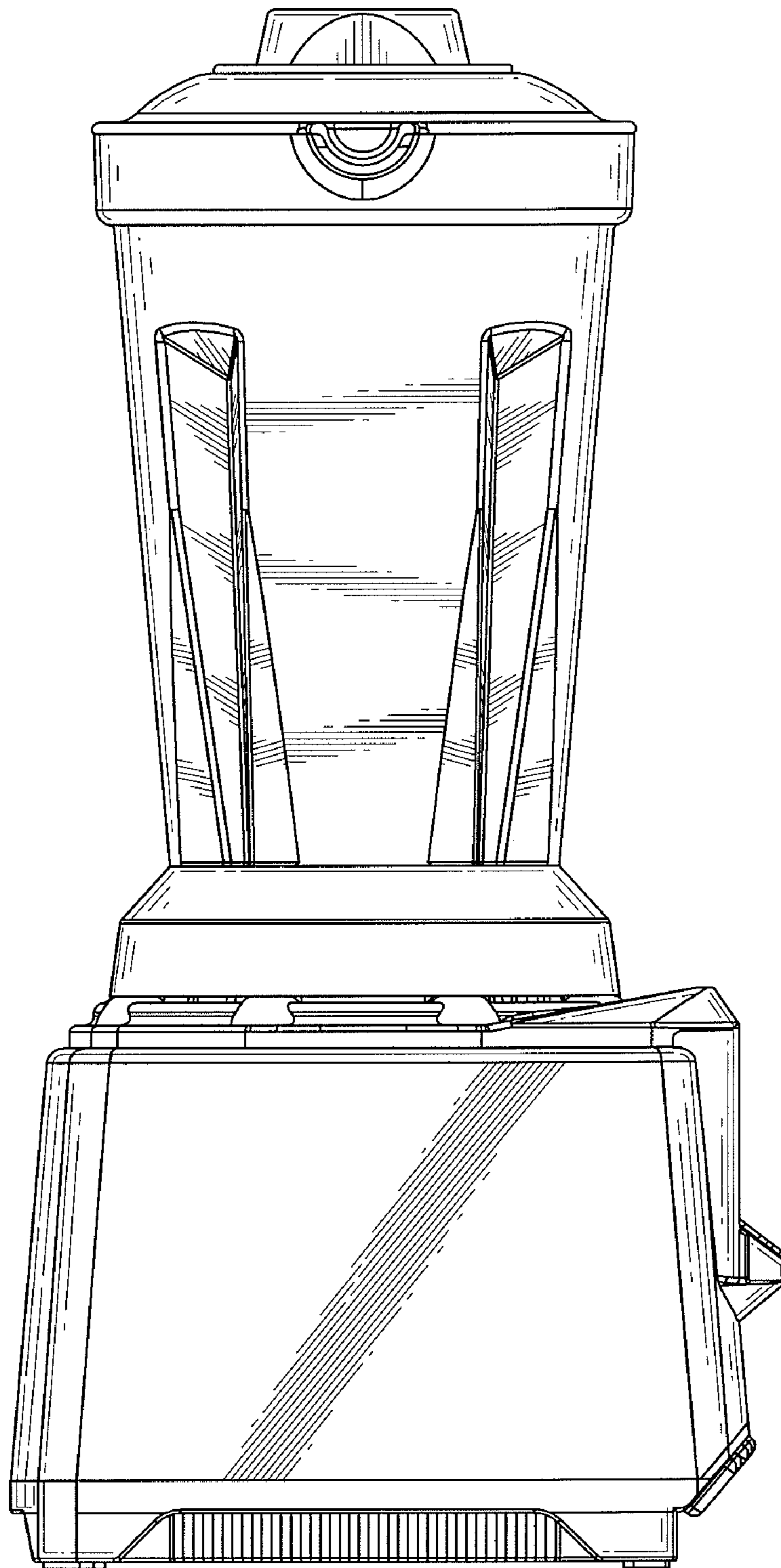


FIG. 3

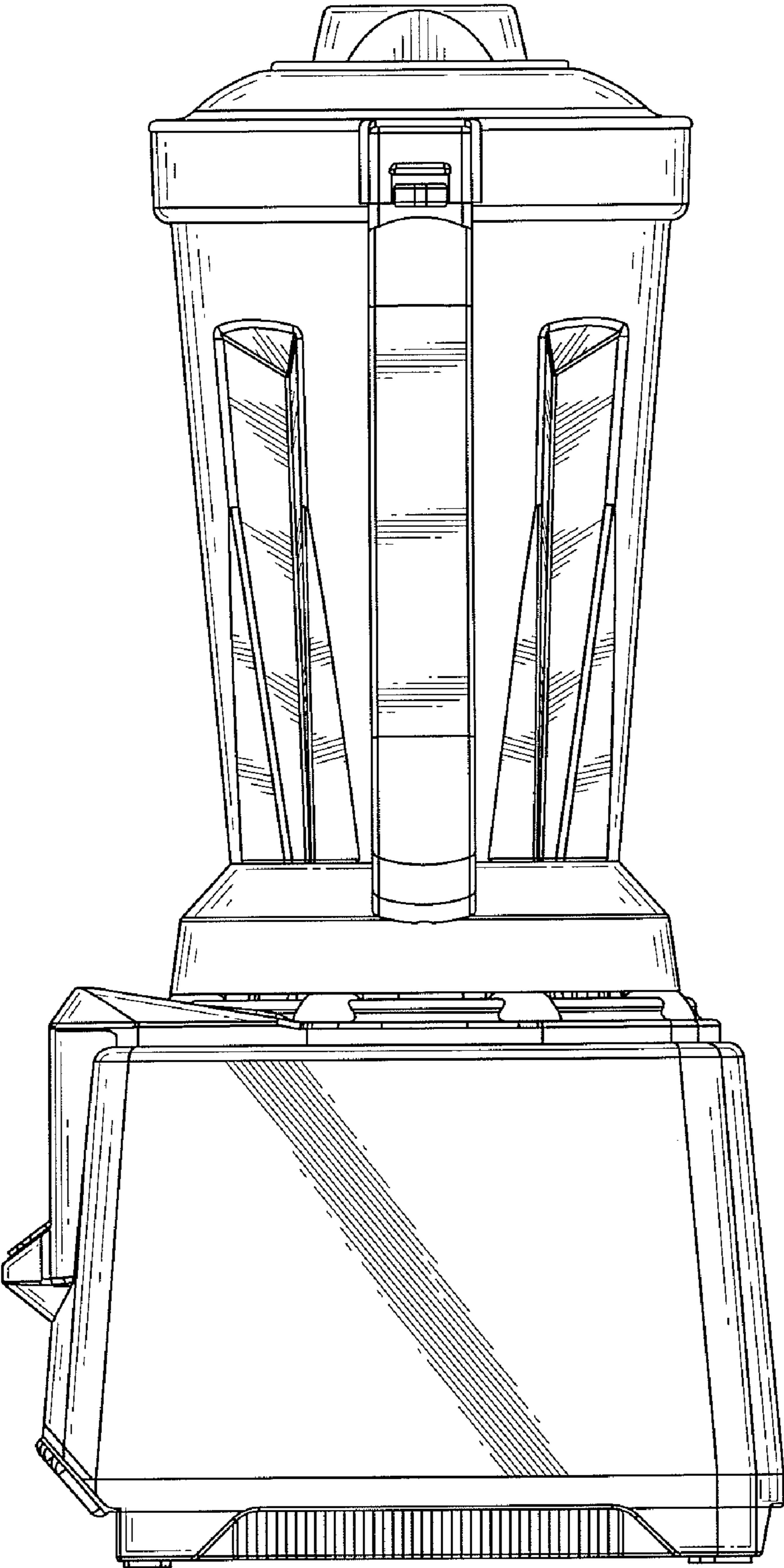


FIG. 4

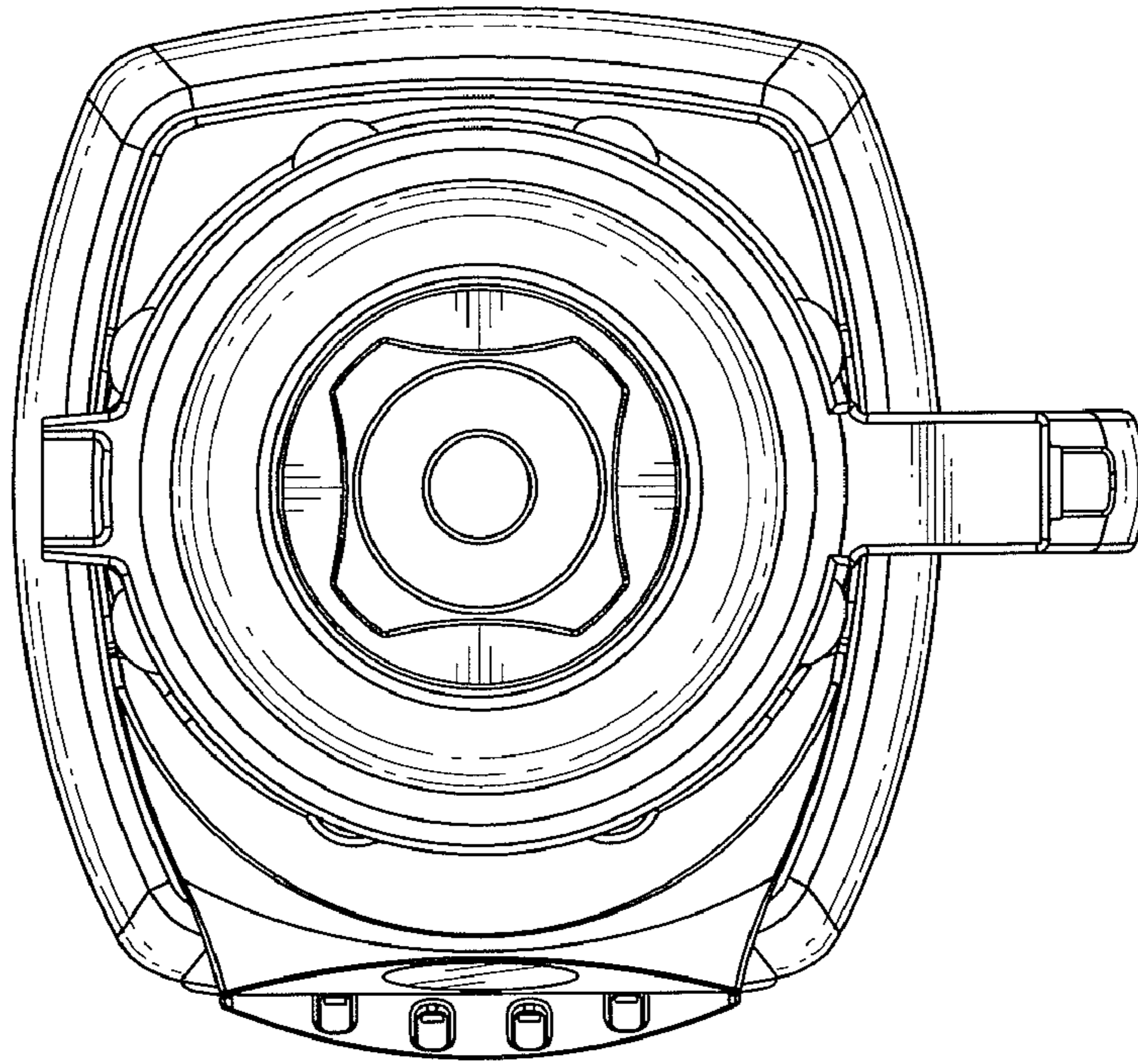


FIG. 5

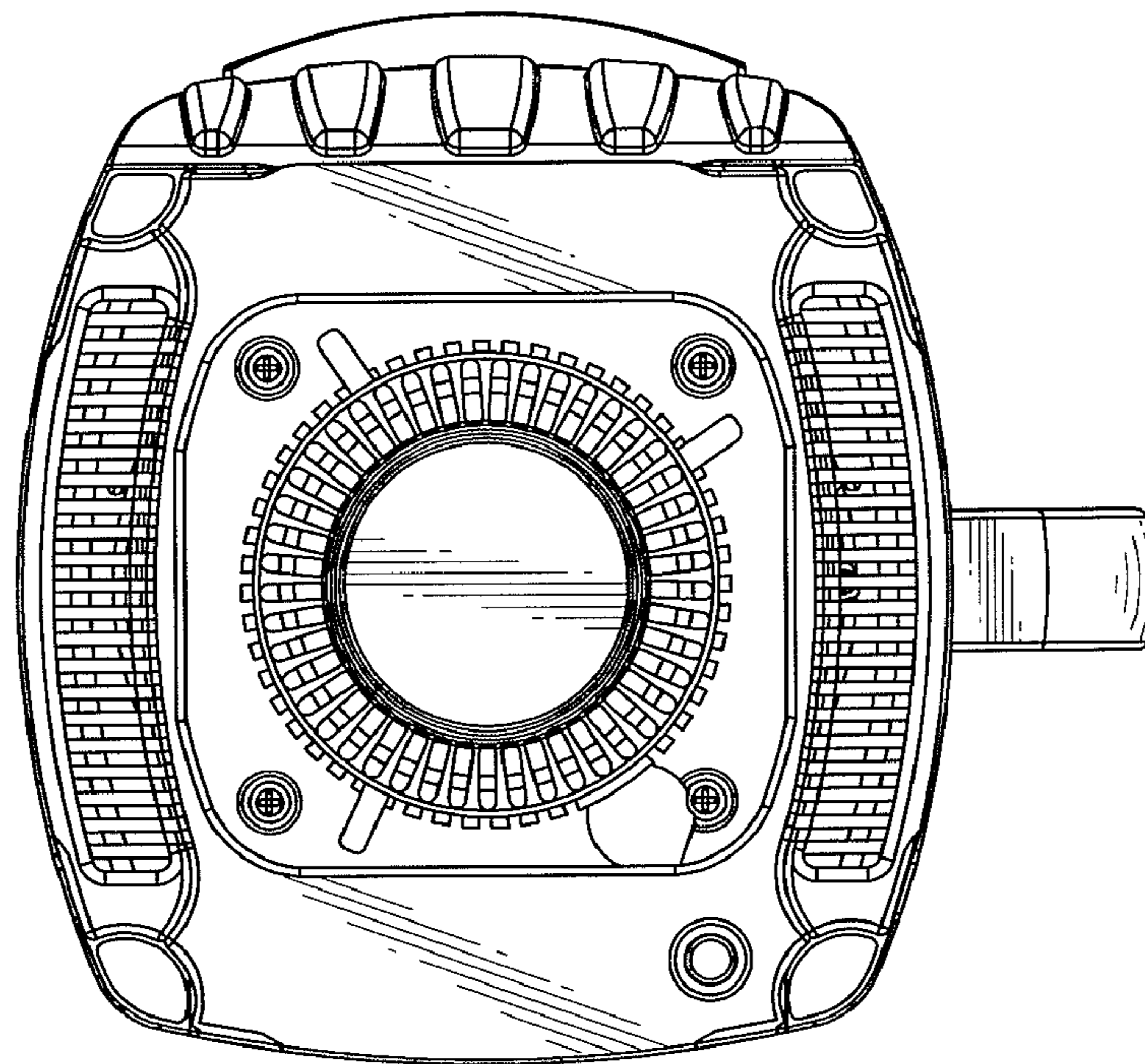


FIG. 6