



US00D638254S

(12) **United States Design Patent**
Barber

(10) **Patent No.:** **US D638,254 S**

(45) **Date of Patent:** **** May 24, 2011**

(54) **CAKE PAN HAVING REMOVABLE SPATULA**

(75) **Inventor:** **Thomas Barber**, Redondo Beach, CA (US)

(73) **Assignee:** **Bradshaw International, Inc.**, Rancho Cucamonga, CA (US)

(**) **Term:** **14 Years**

(21) **Appl. No.:** **29/379,975**

(22) **Filed:** **Nov. 29, 2010**

(51) **LOC (9) Cl.** **07-02**

(52) **U.S. Cl.** **D7/354; D7/391**

(58) **Field of Classification Search** D3/294-304, D3/307-309; D7/323, 354-363, 391, 402, D7/502-505, 538-545, 554.3-554.4, 560, D7/585-588, 601-615, 629; D9/424-435, D9/452-456, 760-761; 99/324, 426; 220/4.22, 220/23.2-23.6, 23.89, 573.1-573.3, 574-575, 220/657, 780-806, 912; 249/117, 121-122, 249/126

See application file for complete search history.

(56) **References Cited**

U.S. PATENT DOCUMENTS

D121,575 S * 7/1940 Russell D7/391
D423,281 S * 4/2000 Mosionzhnik D7/391

D484,007 S * 12/2003 Levien D7/629
D507,154 S * 7/2005 Kim D7/610
D522,813 S * 6/2006 Swinford et al. D7/610
D529,345 S * 10/2006 Kim D7/610
D553,902 S * 10/2007 Barber D7/357
D572,539 S * 7/2008 Swinford et al. D7/610
7,614,518 B2 * 11/2009 Barber 220/23.89
D619,426 S * 7/2010 Bodum D7/629
D623,472 S * 9/2010 Bodum D7/502

* cited by examiner

Primary Examiner — Ricky Pham

(74) *Attorney, Agent, or Firm* — Birch, Stewart, Kolasch & Birch, LLP

(57) **CLAIM**

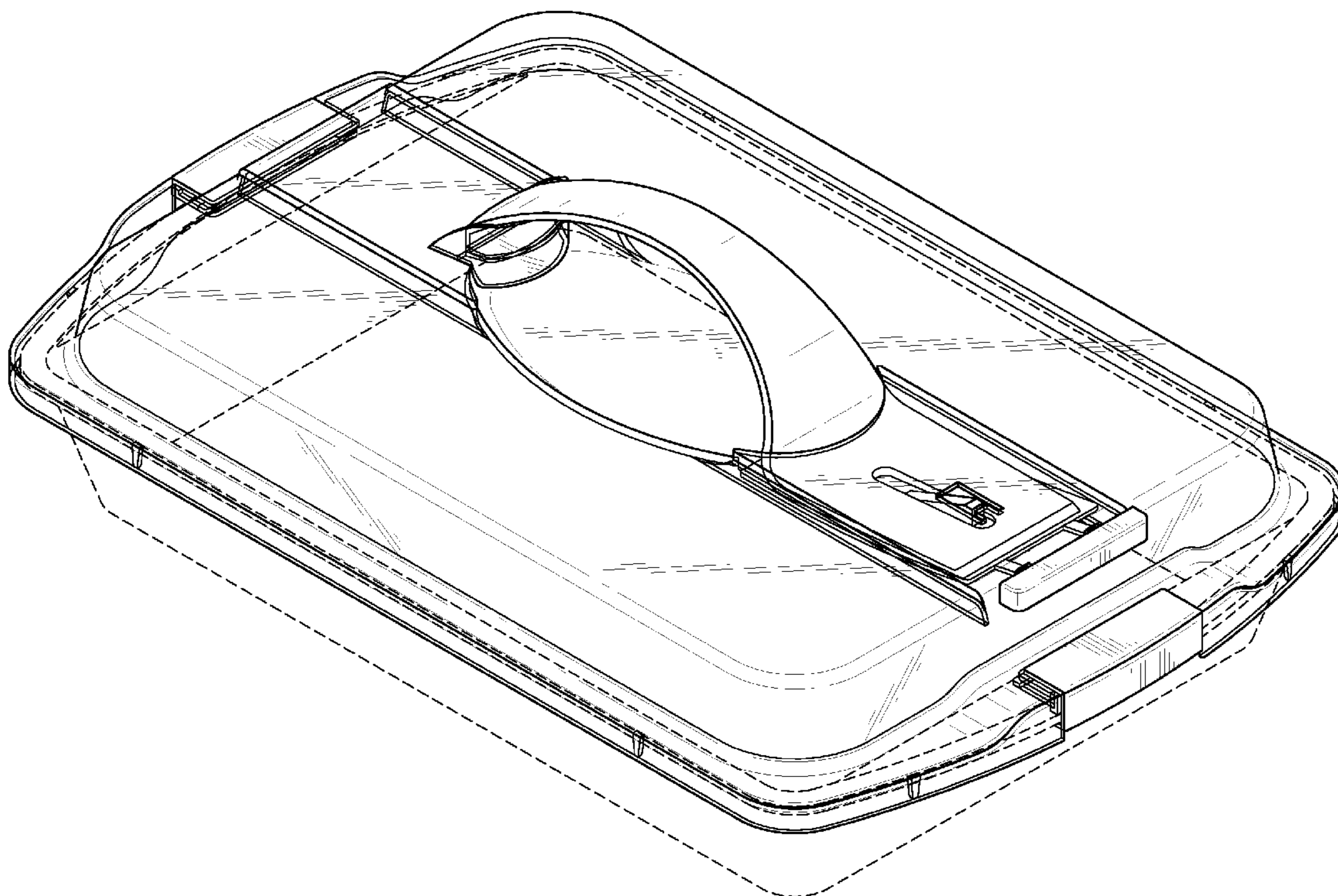
The ornamental design for a cake pan having removable spatula, as shown and described.

DESCRIPTION

FIG. 1 is a front, left, top perspective view of a cake pan having removable spatula showing my new design; FIG. 2 is a left side view thereof; FIG. 3 is a right side view thereof; FIG. 4 is a rear view thereof; FIG. 5 is a front view thereof; FIG. 6 is a top view thereof; and, FIG. 7 is a bottom view thereof.

The portions in the drawings illustrated in broken lines represent the environment of the design and therefore form no part of the claimed design.

1 Claim, 7 Drawing Sheets



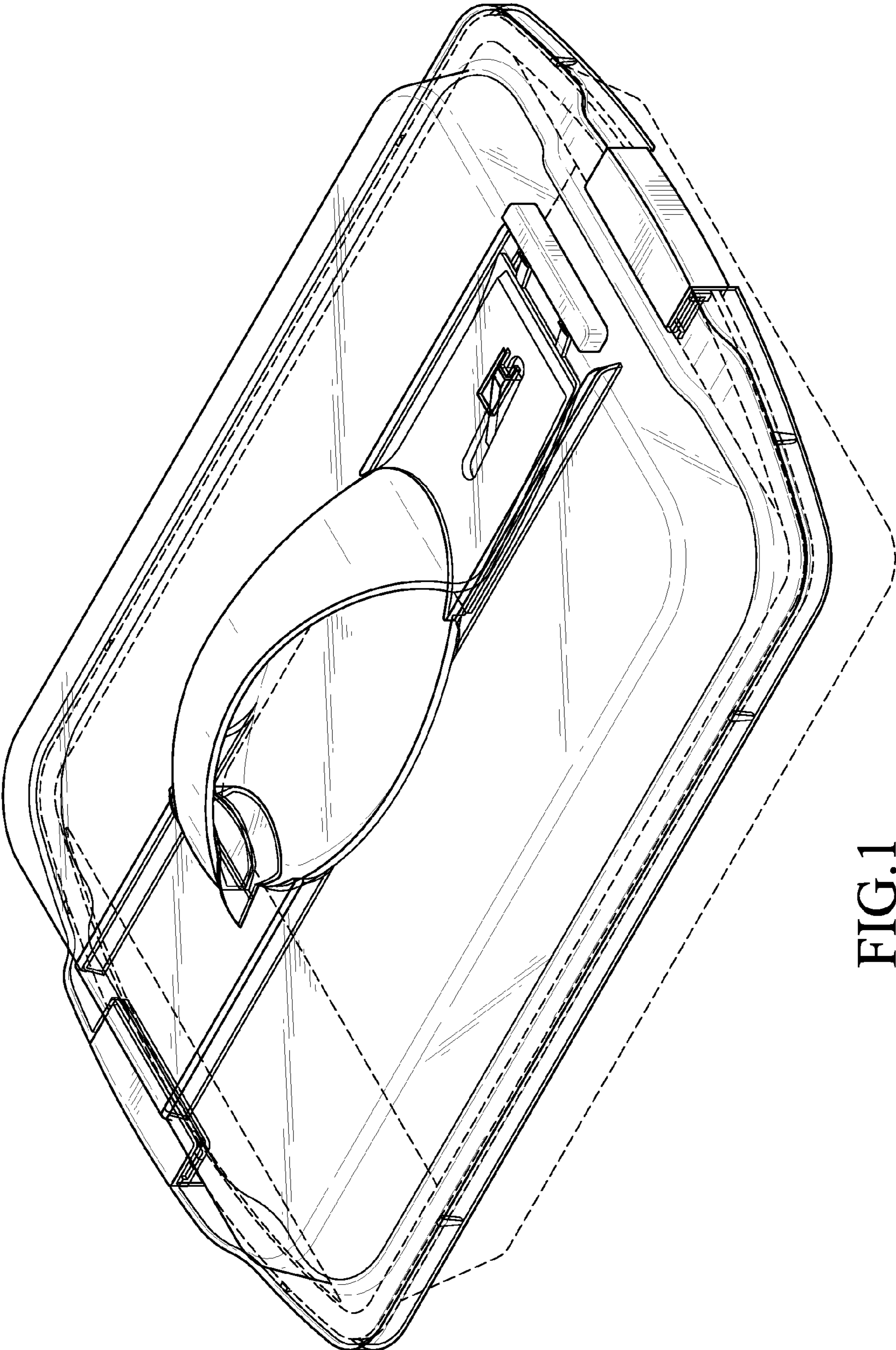


FIG.1

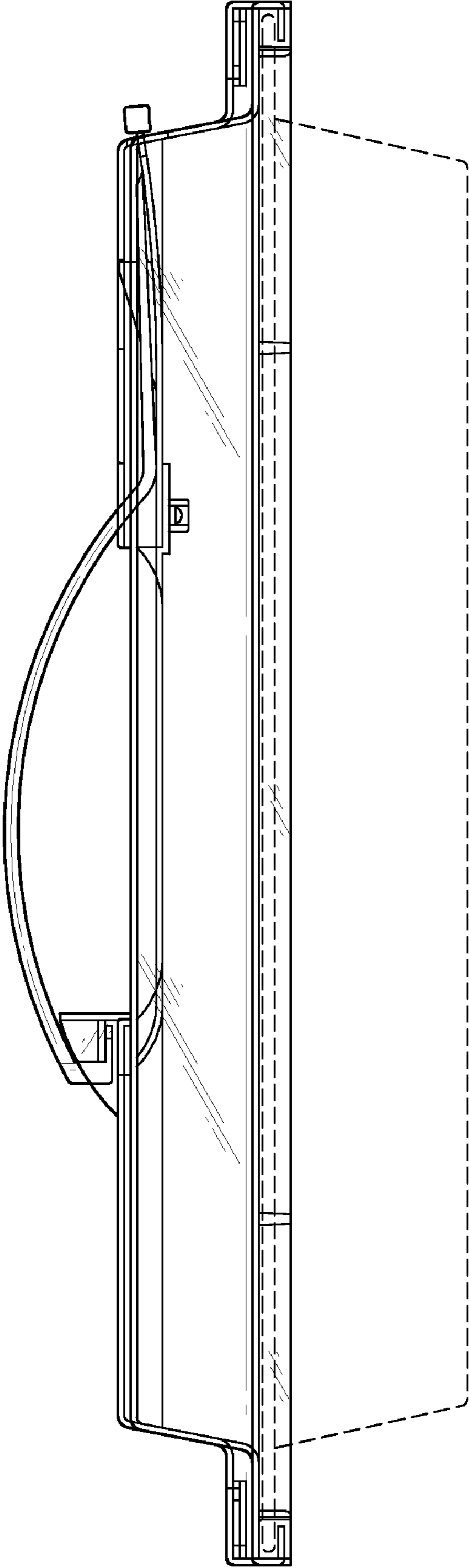


FIG.2

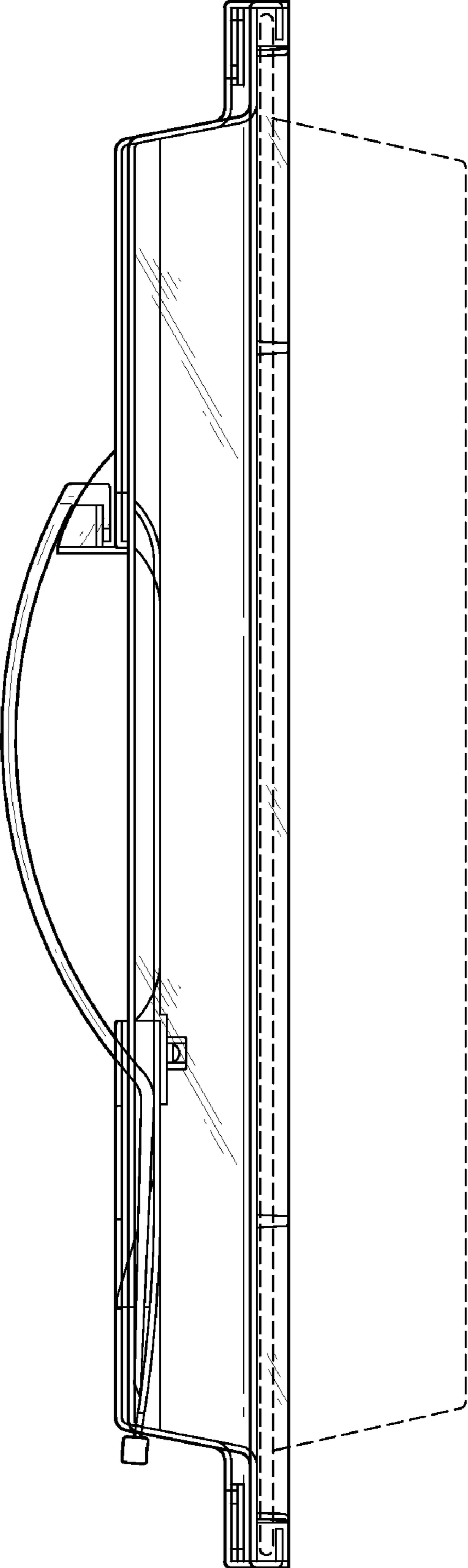


FIG.3

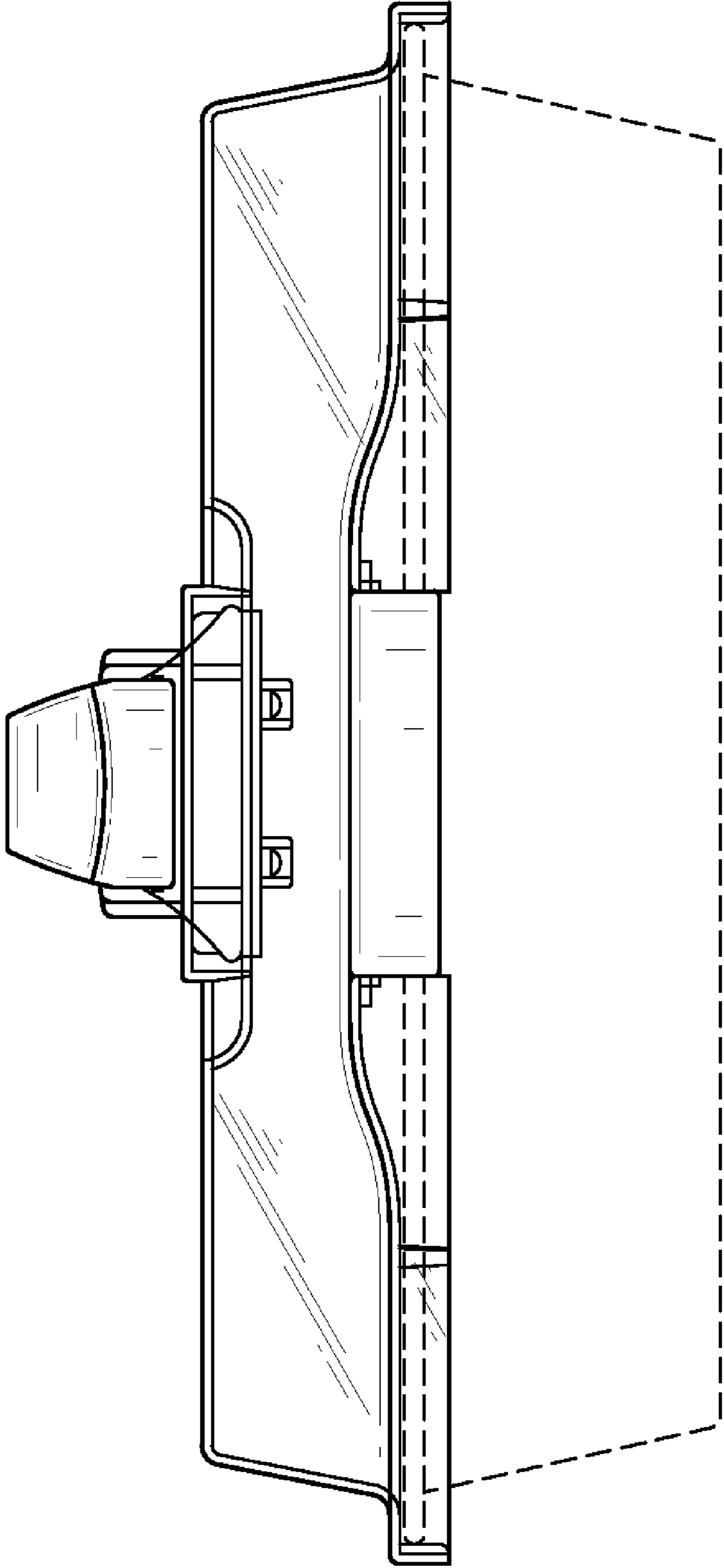


FIG. 4

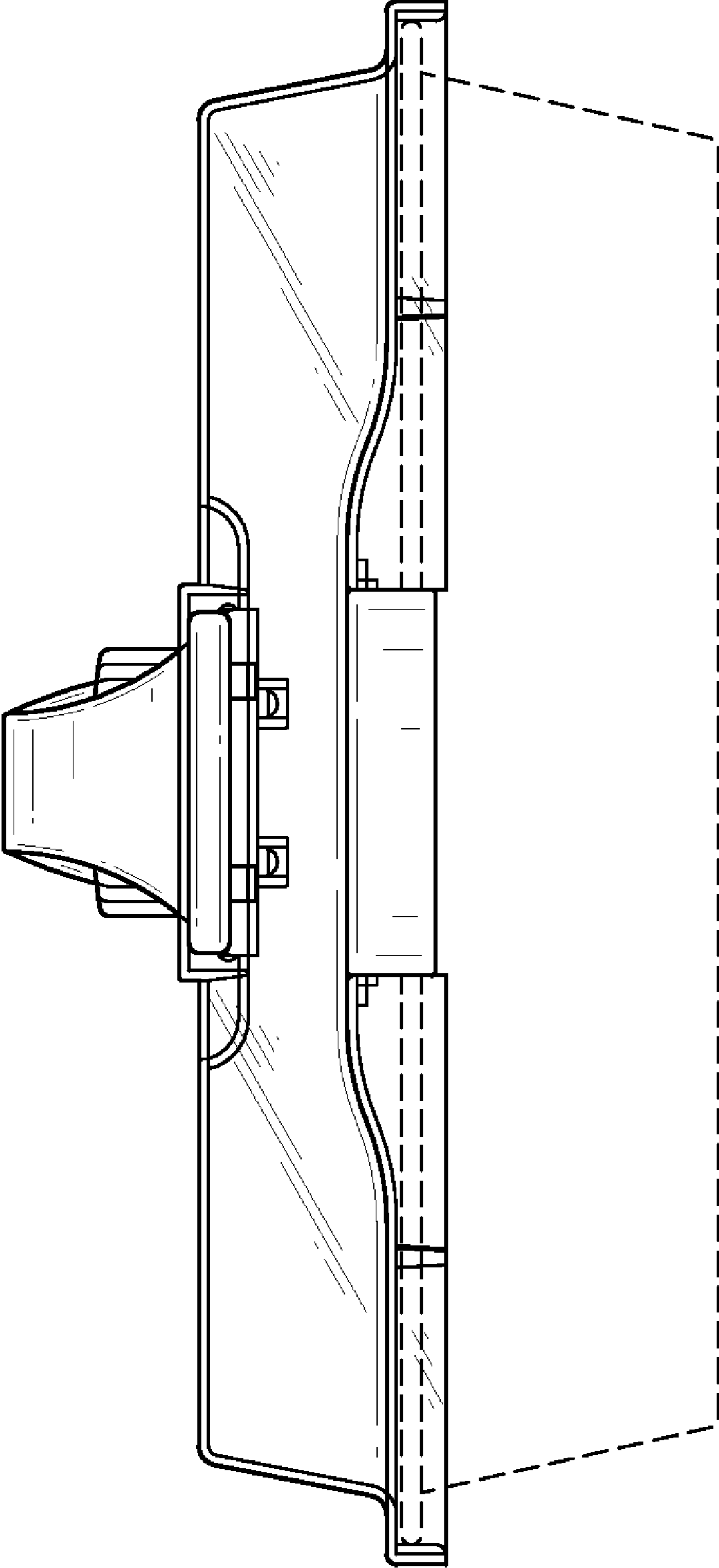


FIG. 5

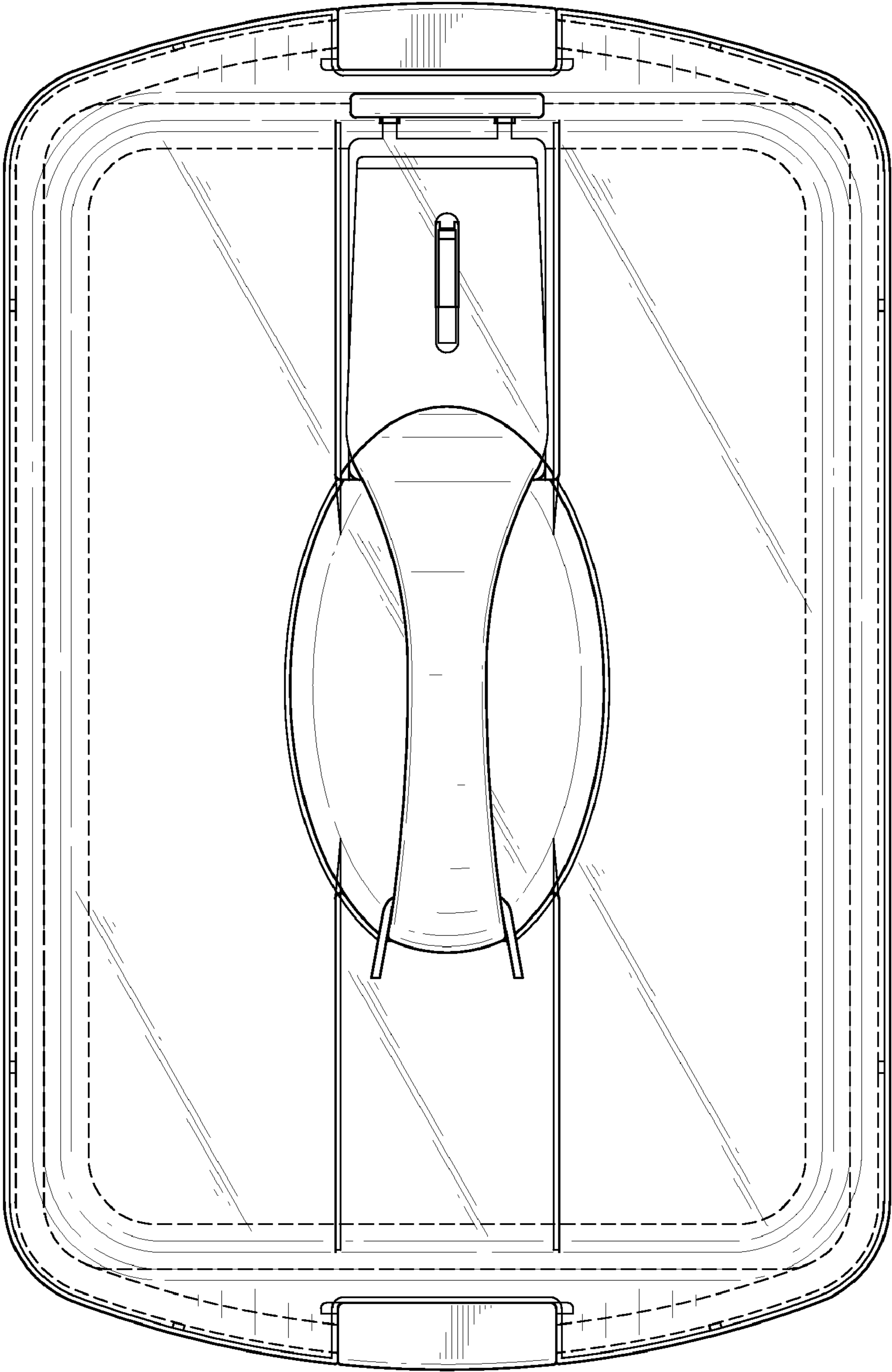


FIG.6

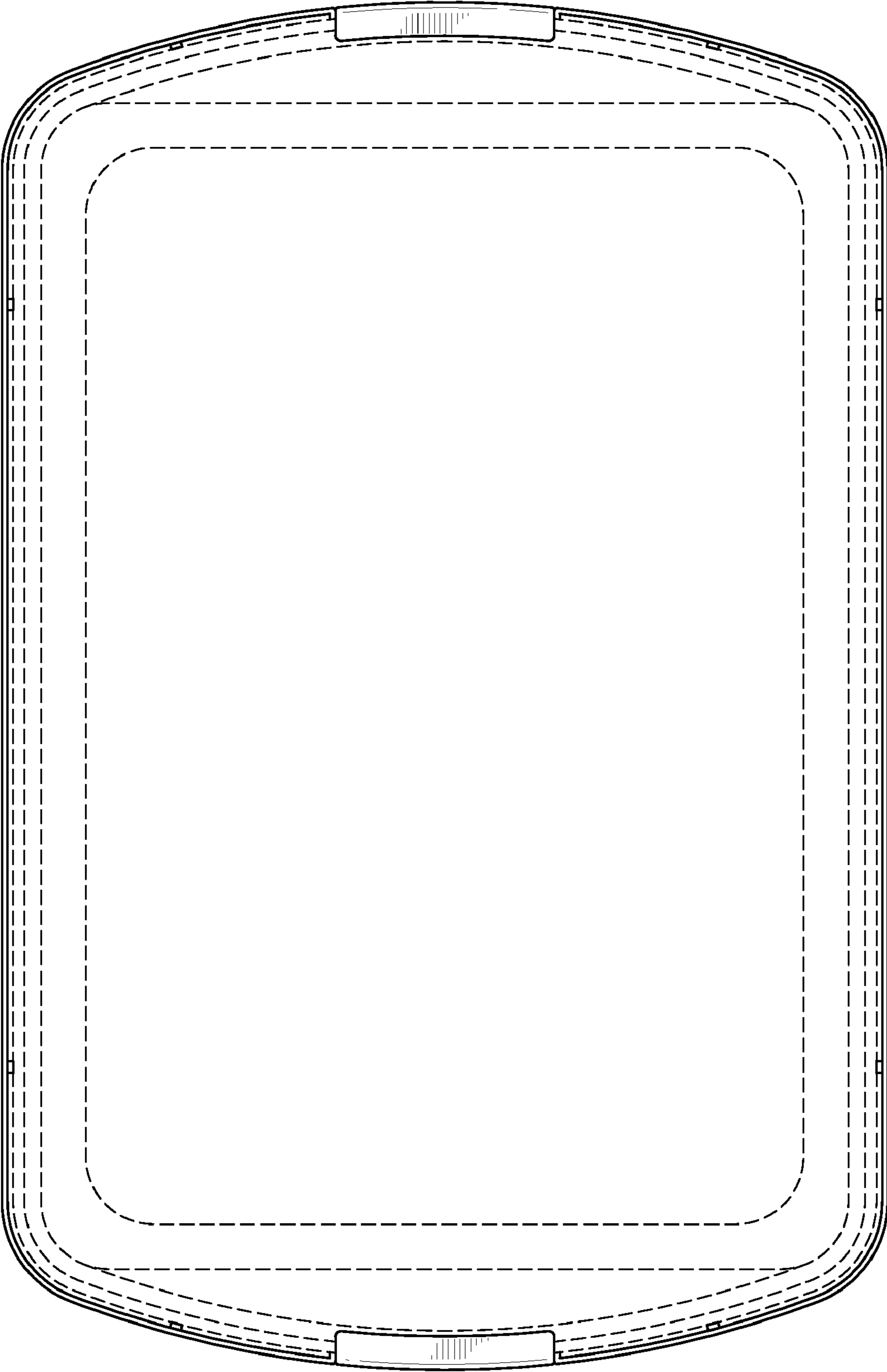


FIG.7