

US00D638253S

(12) **United States Design Patent**  
**Tomczyk et al.**

(10) **Patent No.:** **US D638,253 S**

(45) **Date of Patent:** **\*\* May 24, 2011**

(54) **FOOD PRODUCT STEAMER HOOD**

(75) Inventors: **Wieslaw W. Tomczyk**, Wheeling, IL (US); **Jack Guasta**, Glendale Heights, IL (US)

(73) Assignee: **Prince Castle LLC**, Carol Stream, IL (US)

(\*\*) Term: **14 Years**

(21) Appl. No.: **29/350,670**

(22) Filed: **Nov. 20, 2009**

(51) **LOC (9) Cl.** ..... **07-02**

(52) **U.S. Cl.** ..... **D7/354; D7/323**

(58) **Field of Classification Search** ..... D7/323, D7/340-348, 404-409, 354, 356, 360; 126/39 B, 126/211, 217-218, 214 C, 214 R, 215-216, 126/152 R; 219/460.1, 506, 401, 402, 405, 219/407, 408, 430

See application file for complete search history.

(56) **References Cited**

U.S. PATENT DOCUMENTS

D258,106	S	*	2/1981	Vieceli	.....	D7/354
4,291,617	A		9/1981	Miller et al.		
4,452,132	A		6/1984	Miller et al.		
D279,854	S		7/1985	Miller et al.		
D280,879	S	*	10/1985	Infante	.....	D7/354
4,617,908	A		10/1986	Miller et al.		
D335,423	S	*	5/1993	Naft et al.	.....	D7/360
D339,713	S	*	9/1993	Gueringer	.....	D7/354
D347,356	S	*	5/1994	Yim	.....	D7/360
D348,377	S	*	7/1994	Douglas	.....	D7/538

D363,635	S	*	10/1995	Cashin et al.	.....	D7/354
D376,067	S	*	12/1996	Littmann	.....	D7/360
D414,372	S	*	9/1999	Fullmer	.....	D7/323
D449,958	S	*	11/2001	Liu	.....	D7/356
6,909,070	B2		6/2005	Veltrop		
6,996,334	B1		2/2006	Parsons et al.		
D534,759	S	*	1/2007	Wang	.....	D7/354
7,208,702	B2	*	4/2007	Choi	.....	219/401
7,222,563	B2		5/2007	Reckert et al.		
7,328,654	B2		2/2008	Shei		

\* cited by examiner

*Primary Examiner* — Ralf Seifert

(74) *Attorney, Agent, or Firm* — Kelly & Krause, L.P.

(57) **CLAIM**

The ornamental design for a food product steamer hood, as shown and described.

**DESCRIPTION**

FIG. 1 is a front perspective view of a food product steamer, showing our new design;

FIG. 2 is a rear perspective view thereof;

FIG. 3 is a top view thereof;

FIG. 4 is a side view thereof;

FIG. 5 is a bottom view thereof;

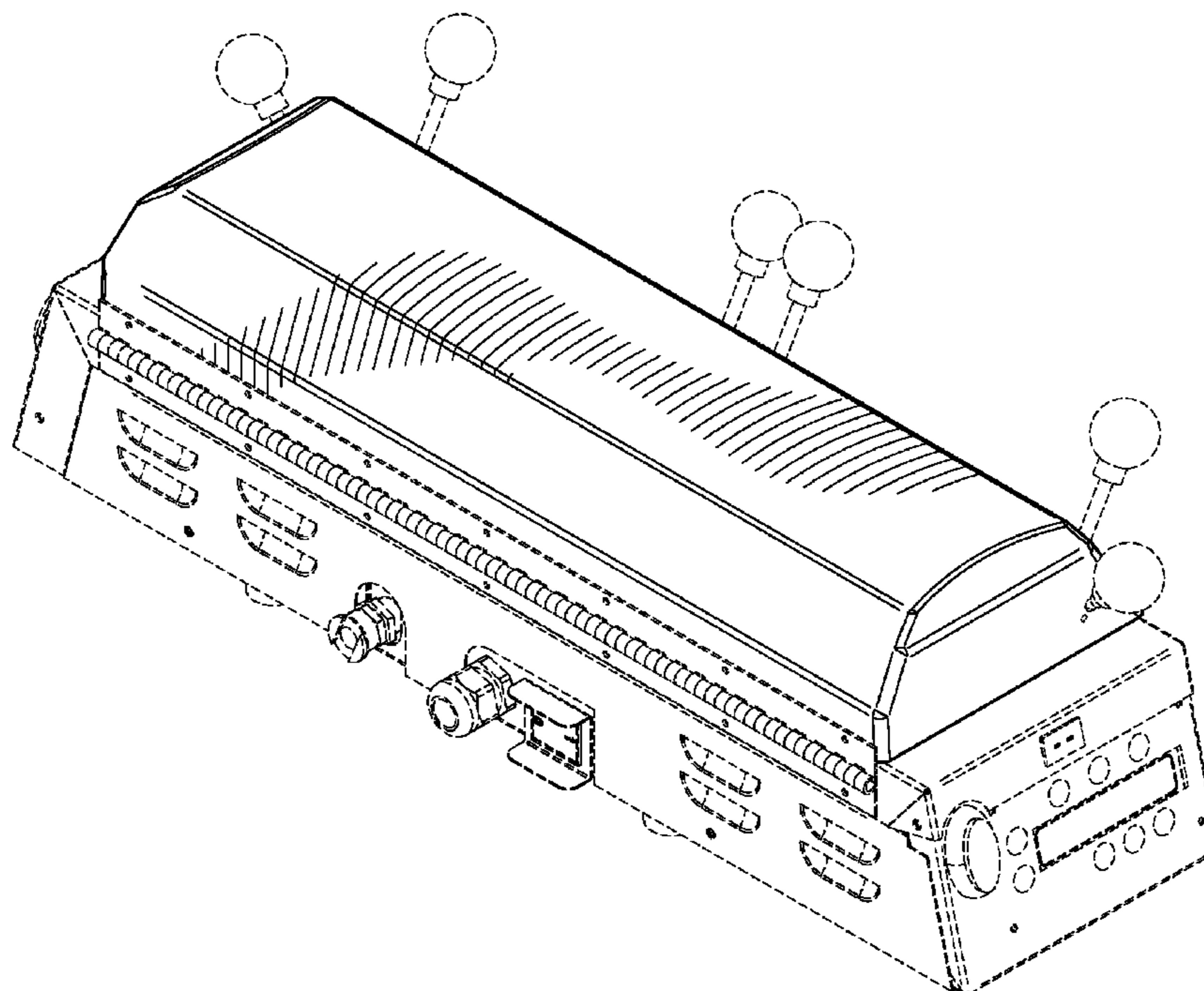
FIG. 6 is a side view thereof;

FIG. 7 is a front view thereof; and,

FIG. 8 is a rear view thereof.

The broken lines represent unclaimed boundaries of the design. The vertical shading lines are for illustrative purposes only and form no part of the claimed design.

**1 Claim, 7 Drawing Sheets**



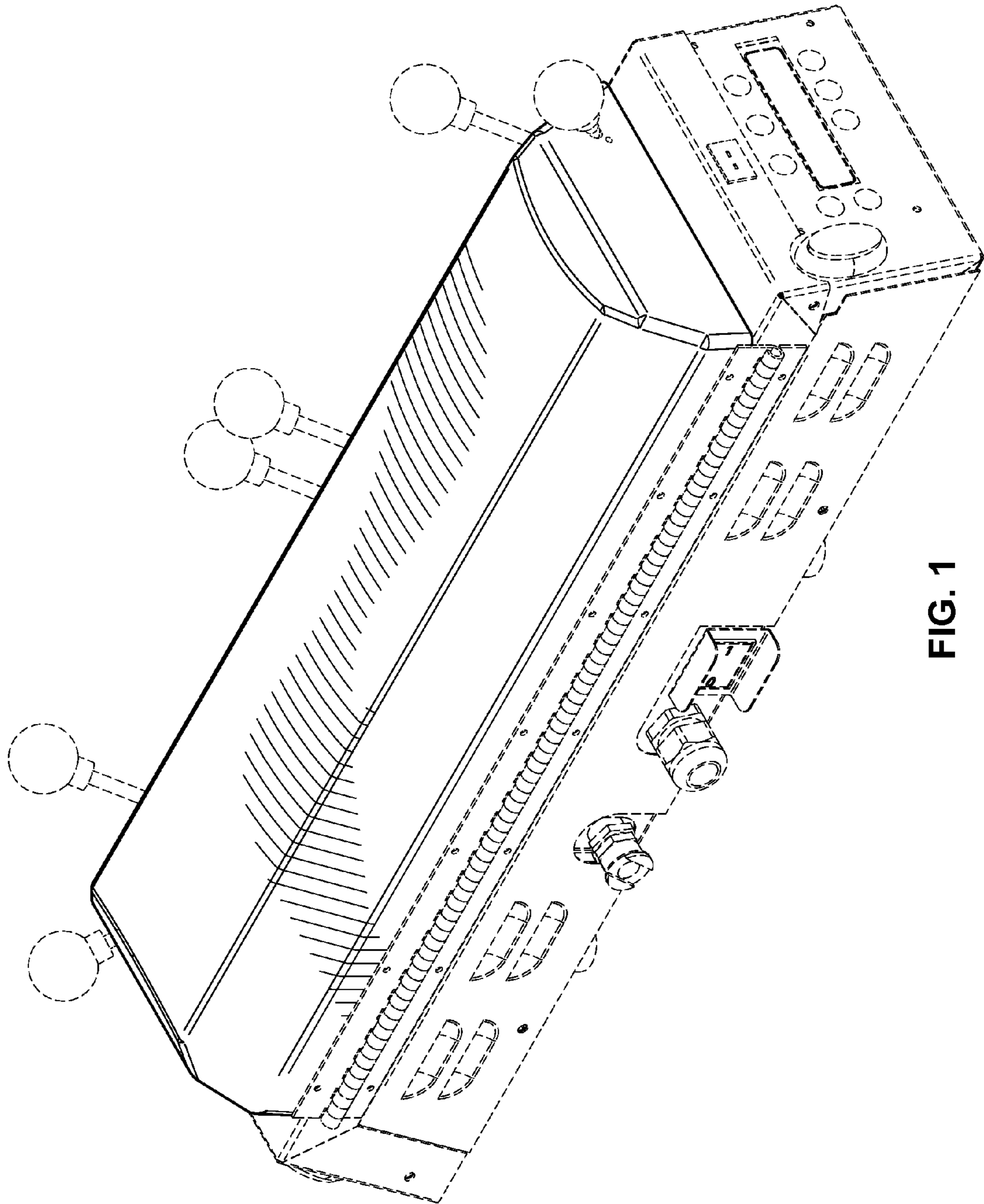


FIG. 1

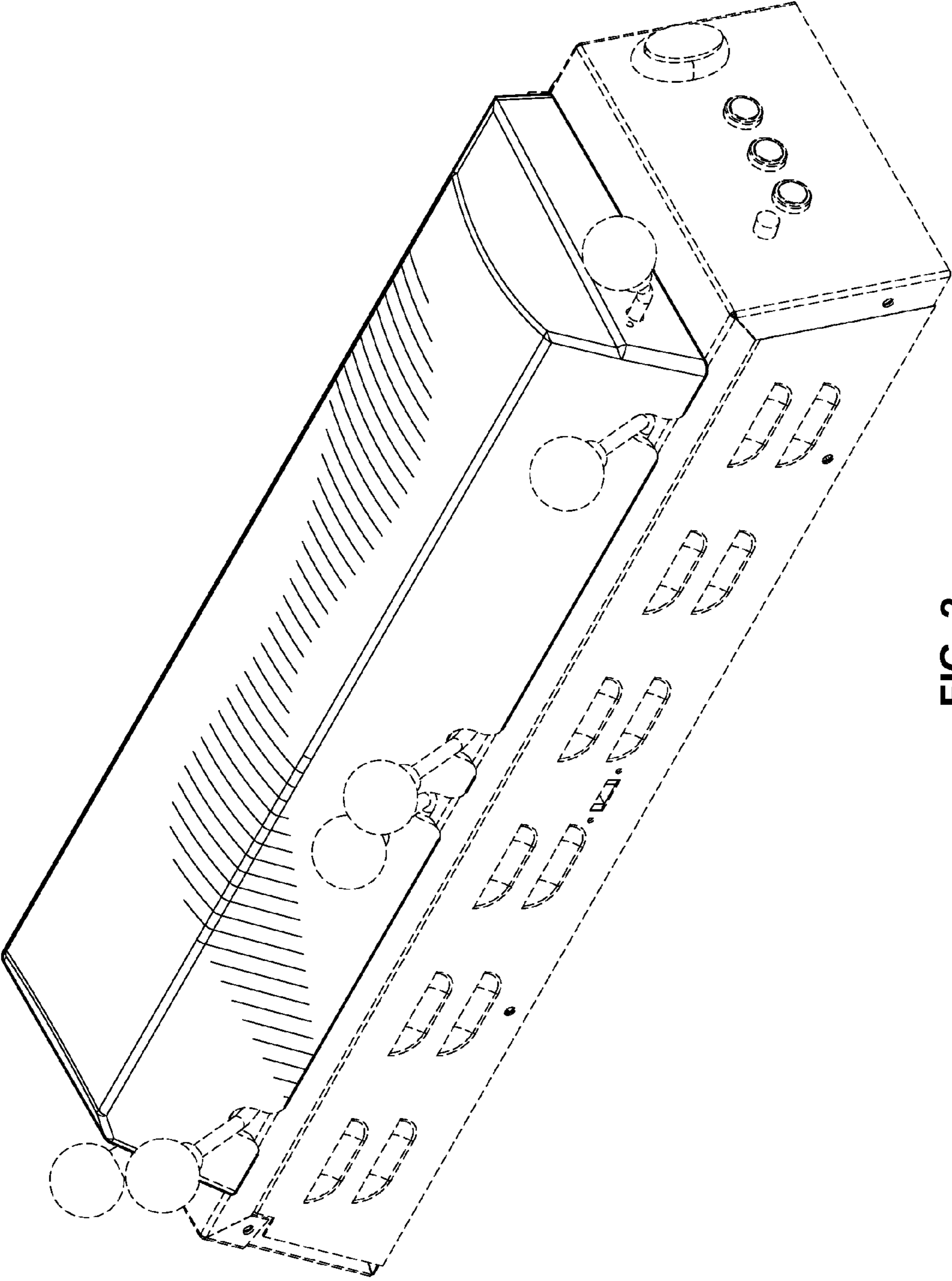


FIG. 2



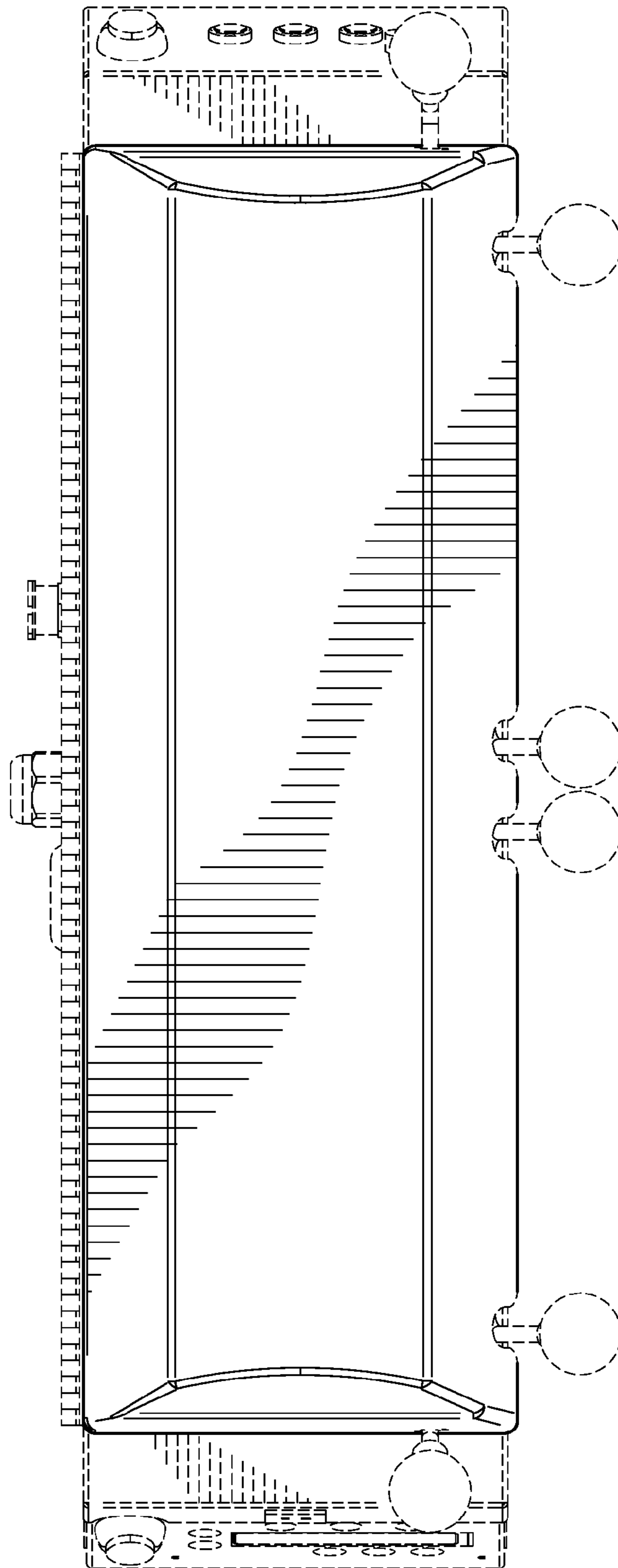


FIG. 3

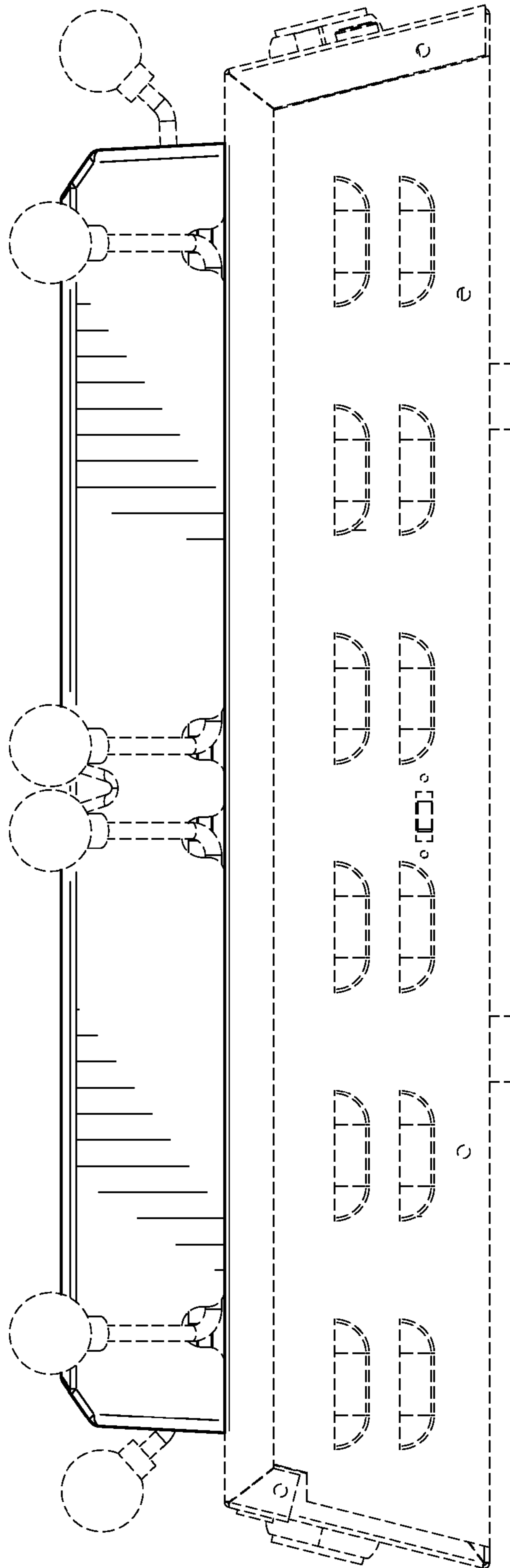


FIG. 4

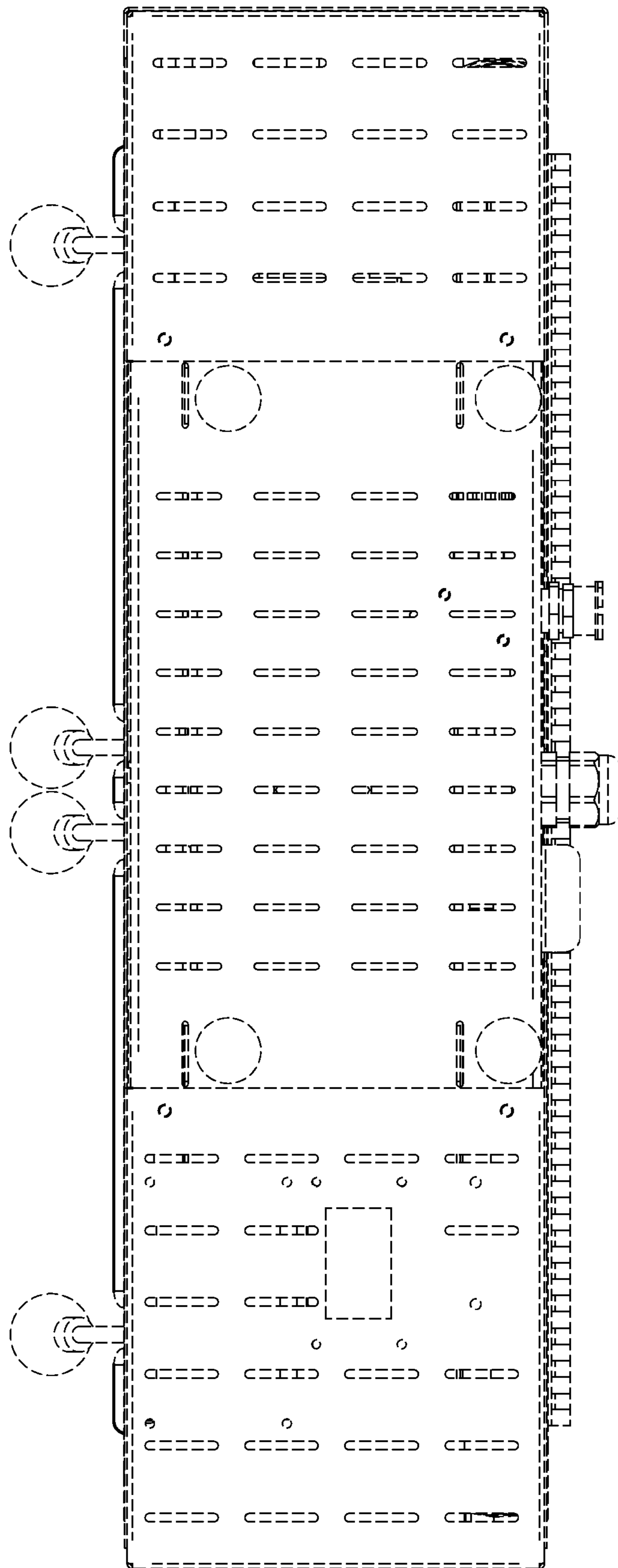


FIG. 5

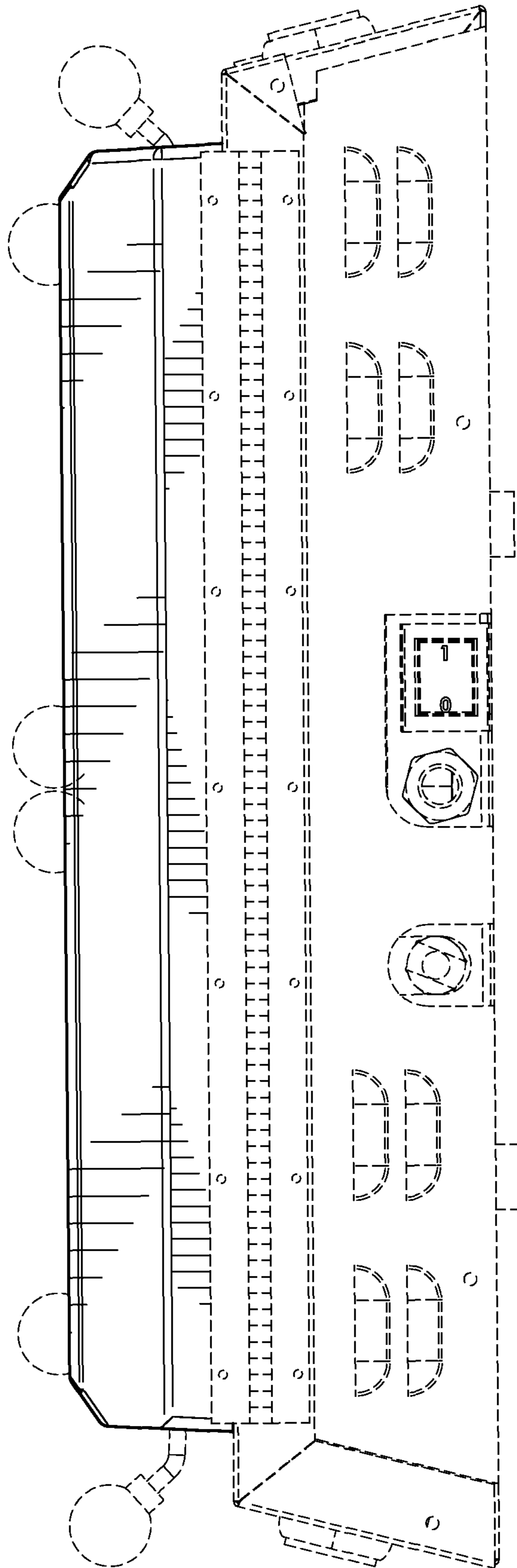


FIG. 6

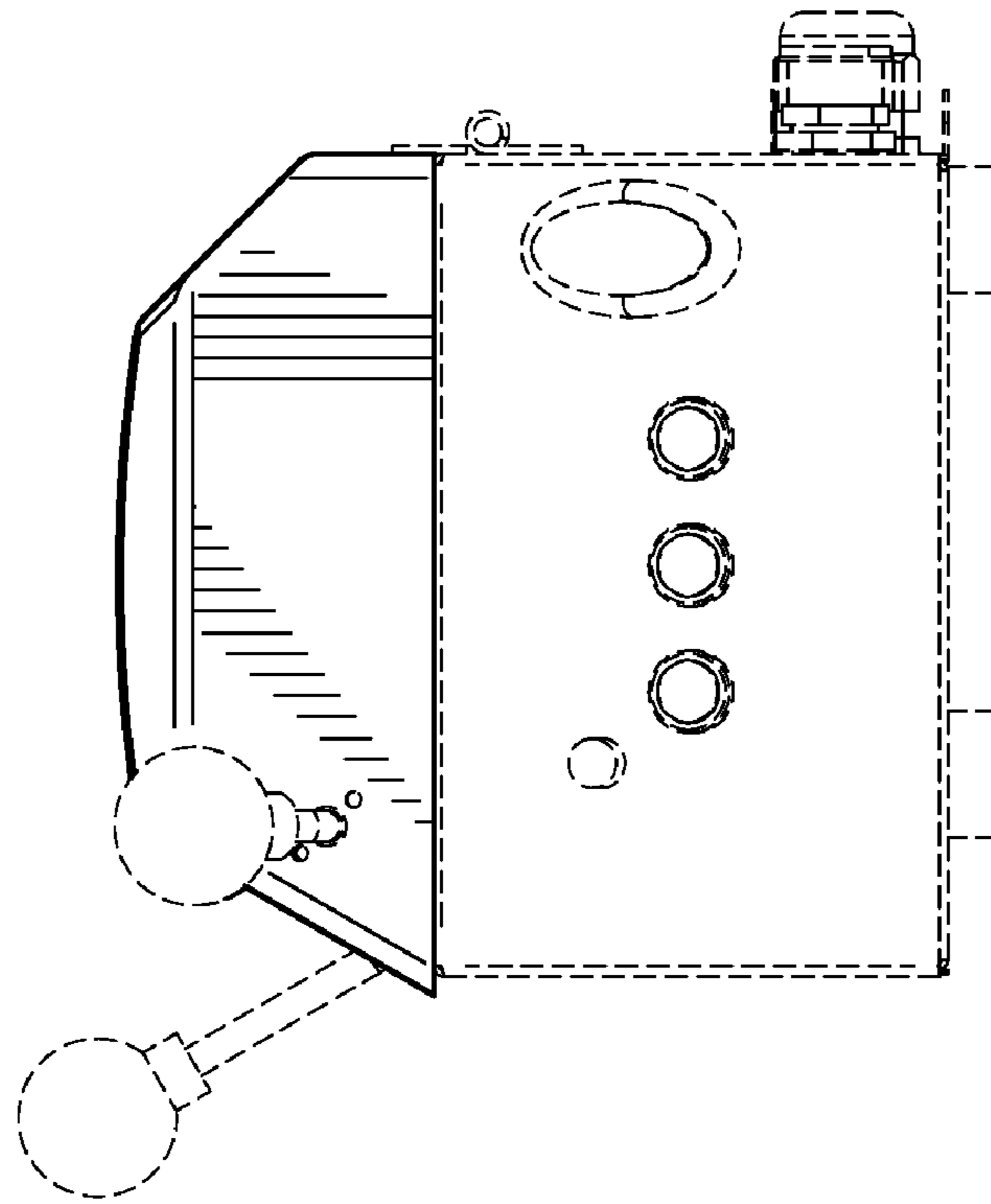


FIG. 8

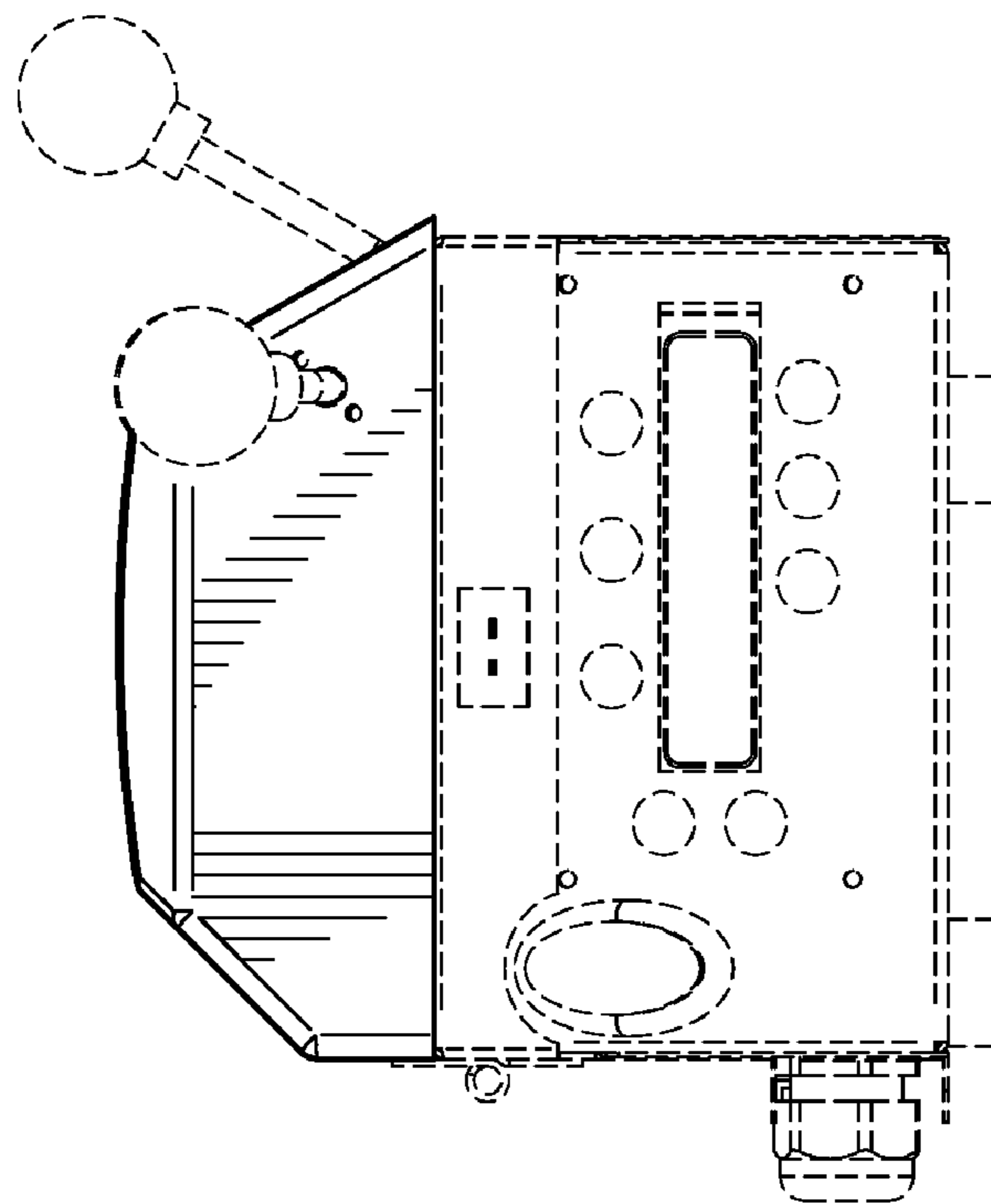


FIG. 7