



US00D638251S

(12) **United States Design Patent**
Josancy

(10) **Patent No.:** **US D638,251 S**

(45) **Date of Patent:** **** May 24, 2011**

(54) **COOKING DEVICE**

(75) Inventor: **Luc Josancy**, Sainte Colombe (FR)

(73) Assignee: **S.E.B. S.A.**, Ecully Cedex (FR)

(**) Term: **14 Years**

(21) Appl. No.: **29/349,612**

(22) Filed: **Apr. 16, 2010**

Related U.S. Application Data

(63) Continuation of application No. 11/570,300, filed as application No. PCT/FR05/01416 on Jun. 8, 2005.

Foreign Application Priority Data

Jun. 8, 2004 (FR) 0406214
Jun. 8, 2004 (FR) 0406220

(51) **LOC (9) Cl.** **07-02**

(52) **U.S. Cl.** **D7/354**

(58) **Field of Classification Search** D7/323,
D7/347, 354-367, 402, 553.6, 554.2, 601-602,
D7/629-630; 99/324-326, 329 R, 330-339,
99/348; 219/620-622, 725, 730-731; 220/303,
220/315-316, 573.1-574.3, 912; 426/438

See application file for complete search history.

(56) **References Cited**

U.S. PATENT DOCUMENTS

4,649,810	A *	3/1987	Wong	99/326
D341,056	S *	11/1993	Powell	D7/354
D372,832	S *	8/1996	Wong	D7/323
D418,361	S *	1/2000	Utsugi	D7/354
6,845,707	B1 *	1/2005	Xu et al.	99/348
D560,424	S *	1/2008	McLemore	D7/355
D622,093	S *	8/2010	Reiner	D7/354
2004/0065211	A1 *	4/2004	McNair	99/348
2008/0213447	A1 *	9/2008	Payen et al.	426/438

* cited by examiner

Primary Examiner — Ricky Pham

(74) *Attorney, Agent, or Firm* — Cooper & Dunham LLP

(57) **CLAIM**

The ornamental design for a cooking device, as shown and described.

DESCRIPTION

FIG. 1 is a top perspective view of a cooking device, showing my new design;

FIG. 2 is a top view thereof;

FIG. 3 is a bottom view thereof;

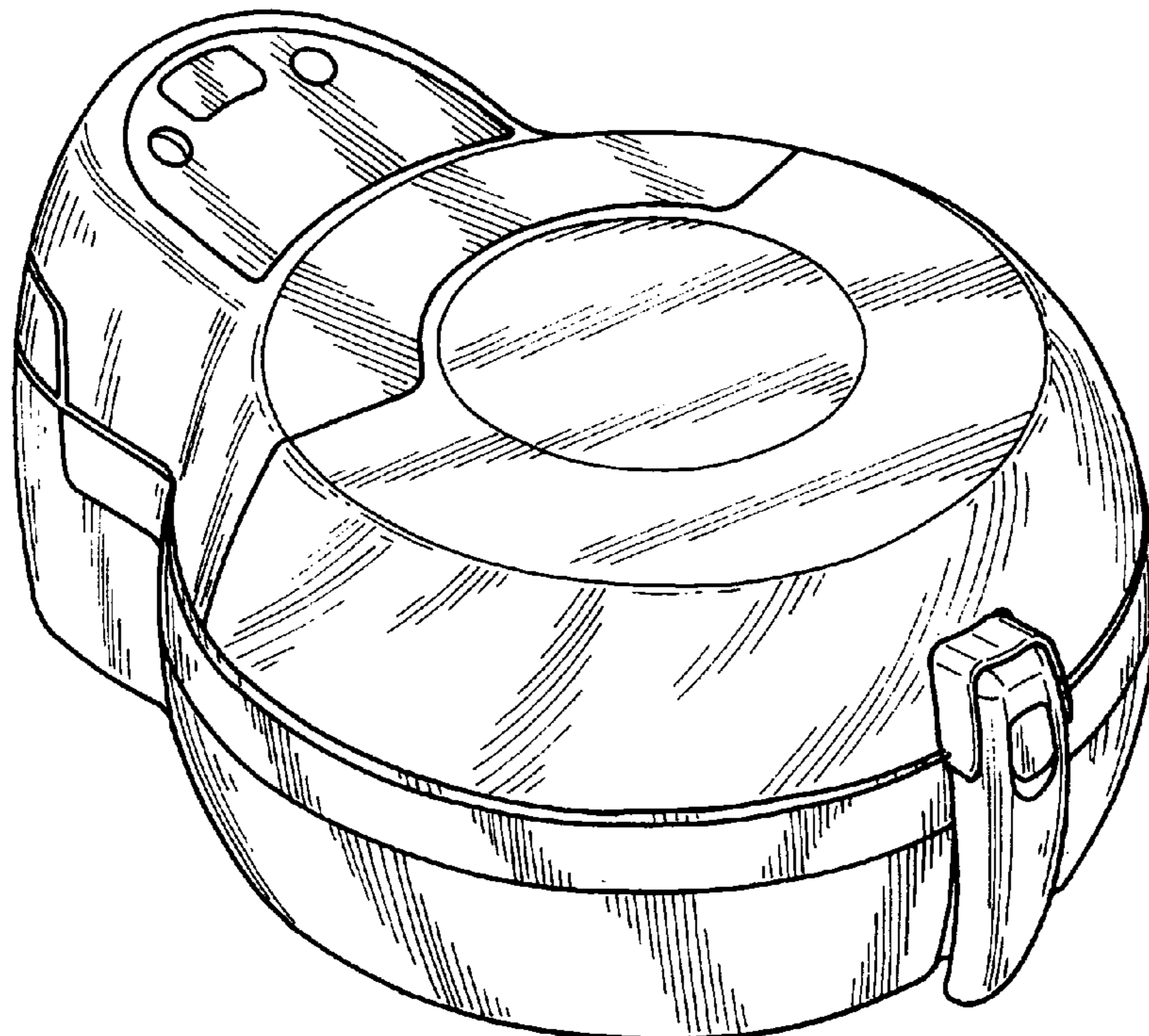
FIG. 4 is a front view thereof;

FIG. 5 is a back view thereof;

FIG. 6 is a side view thereof; and,

FIG. 7 is the other side view thereof.

1 Claim, 7 Drawing Sheets



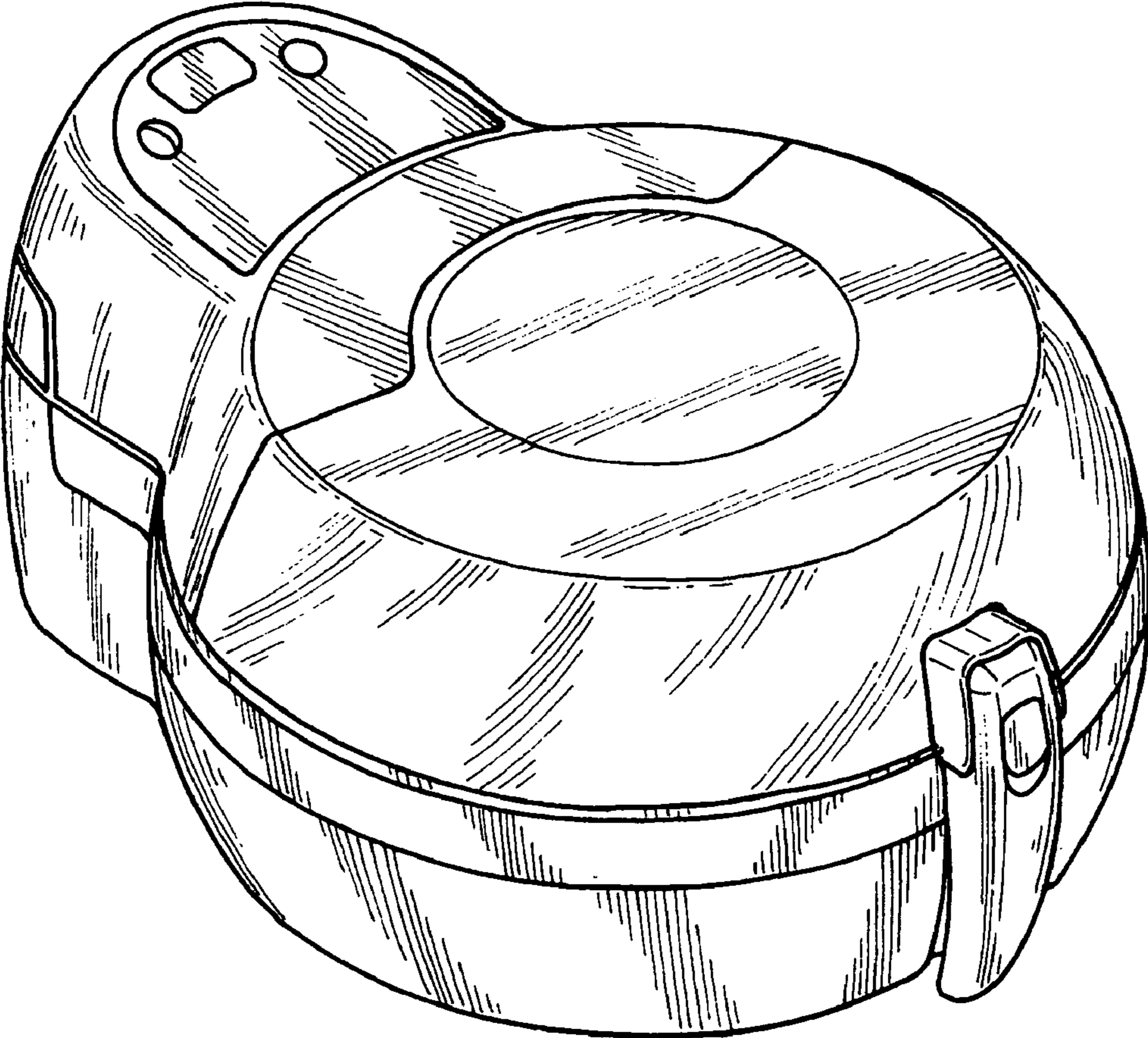


FIG. 1

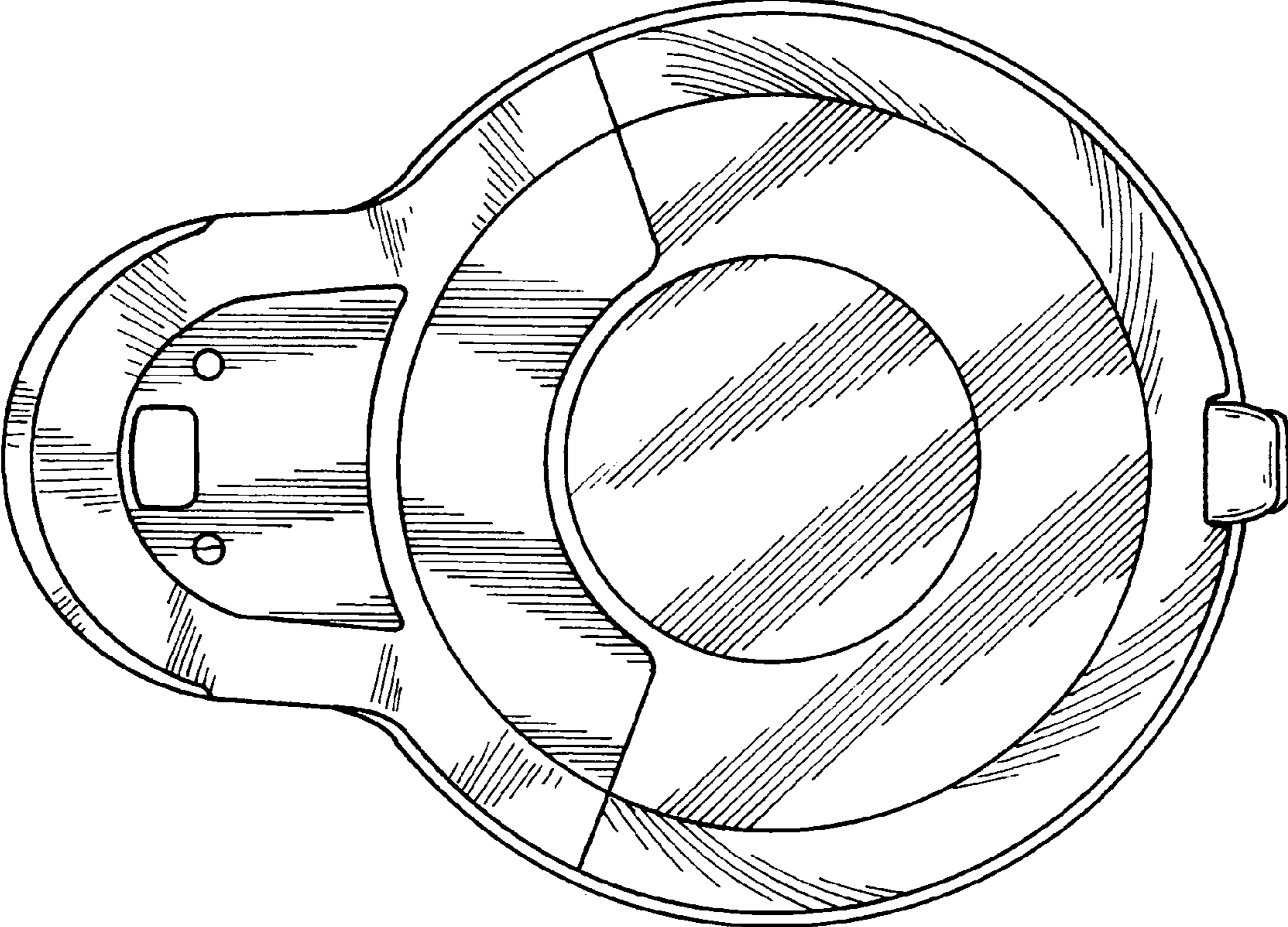


FIG. 2

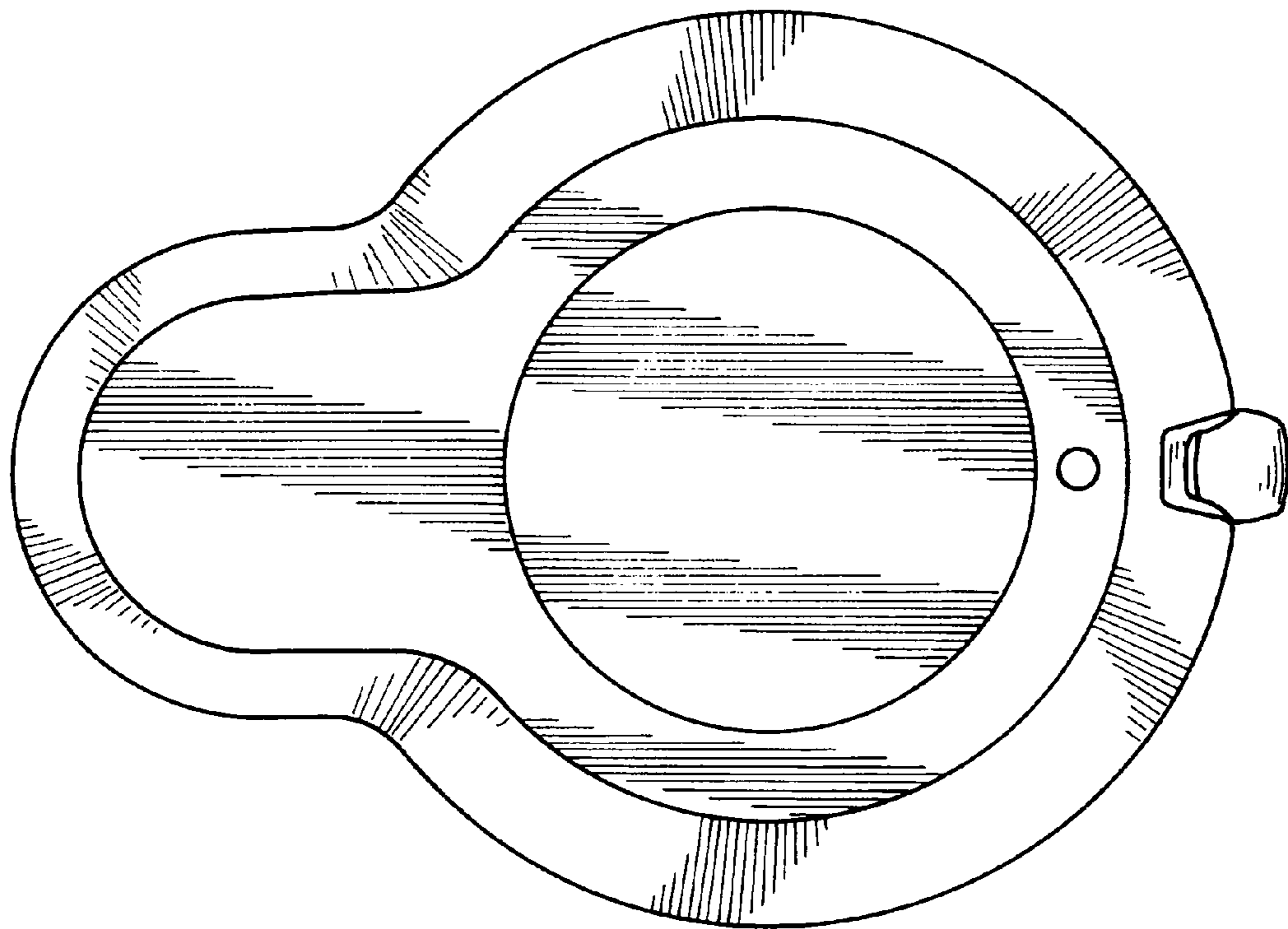


FIG. 3

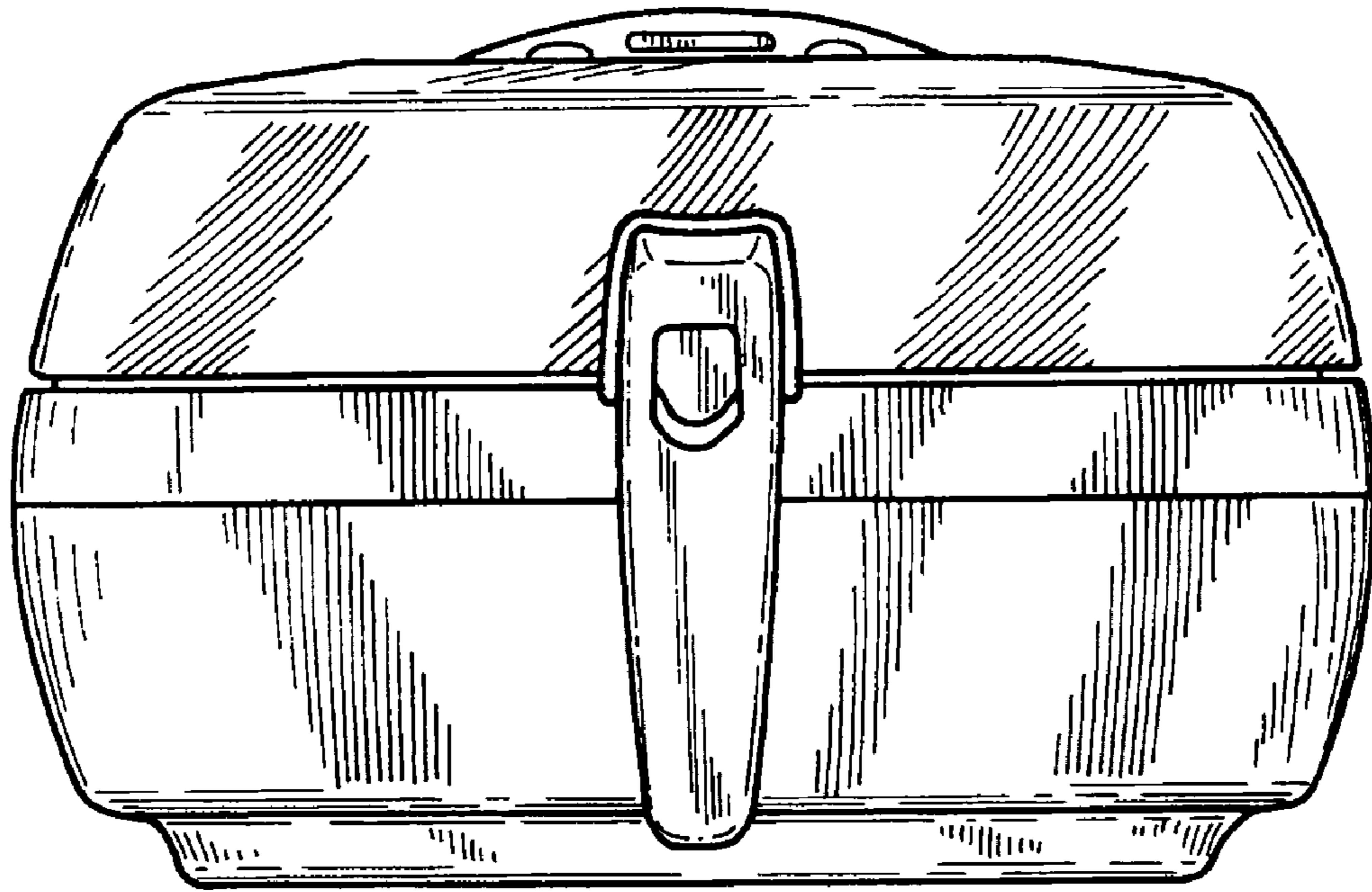


FIG. 4

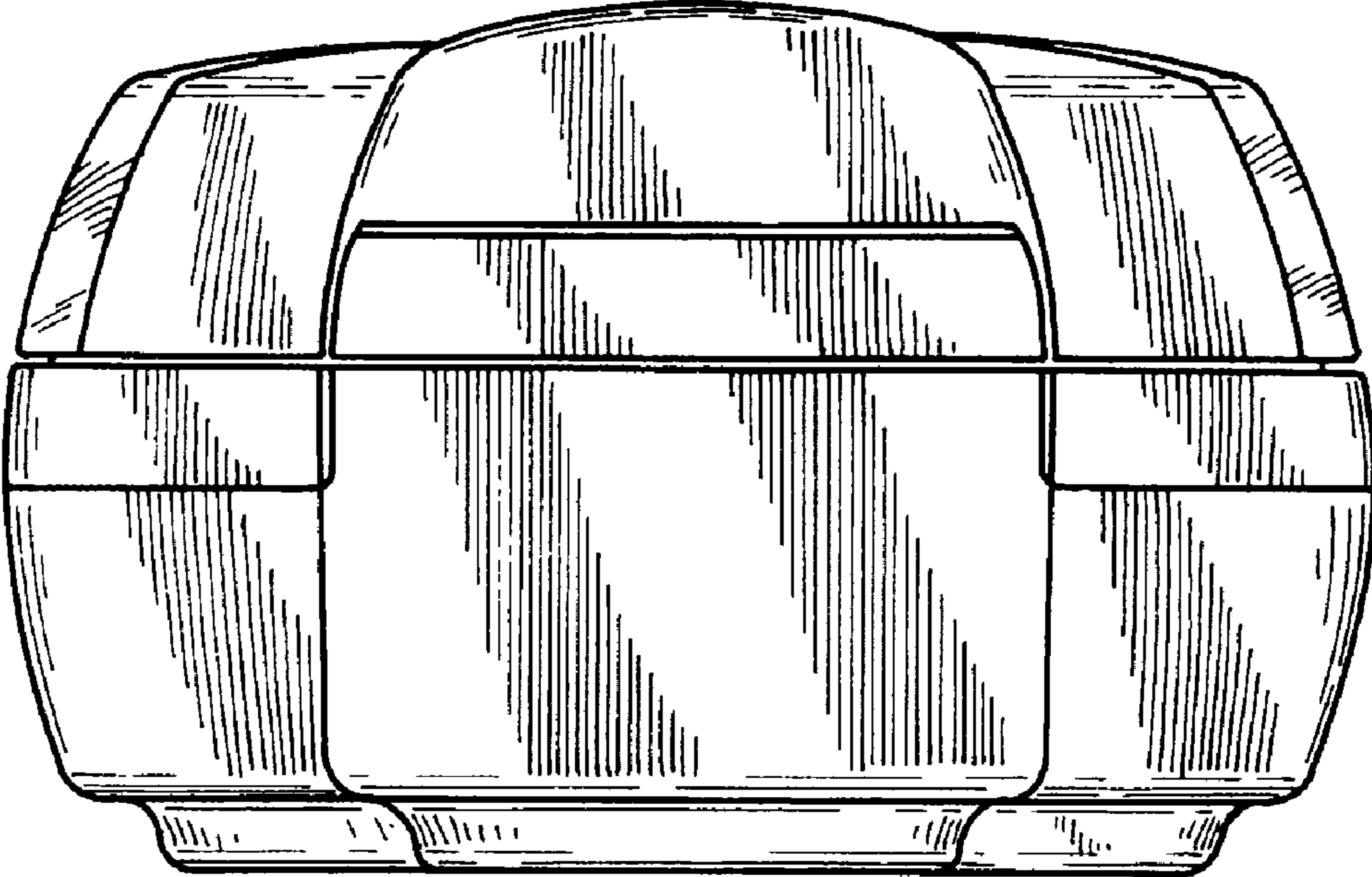


FIG. 5

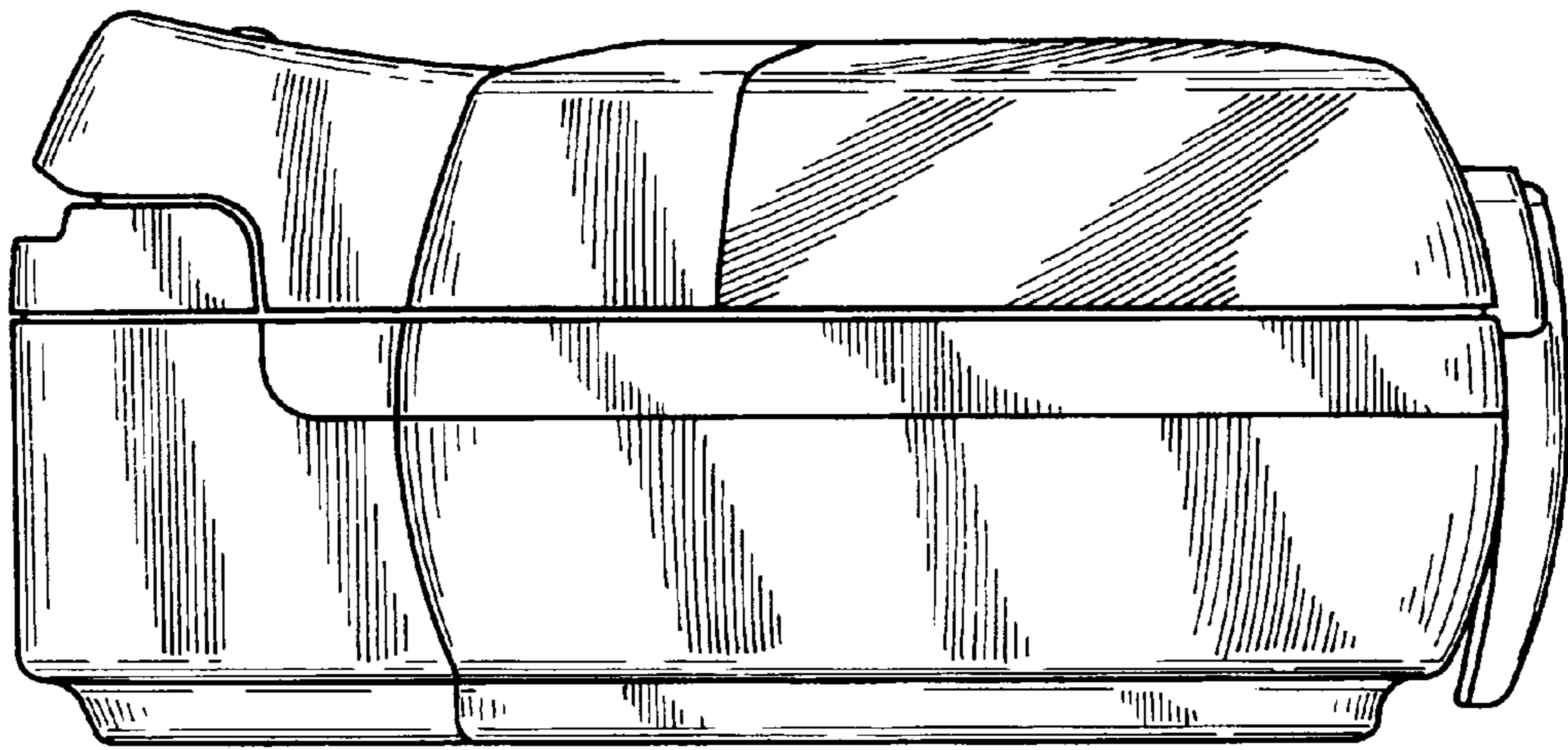


FIG. 6

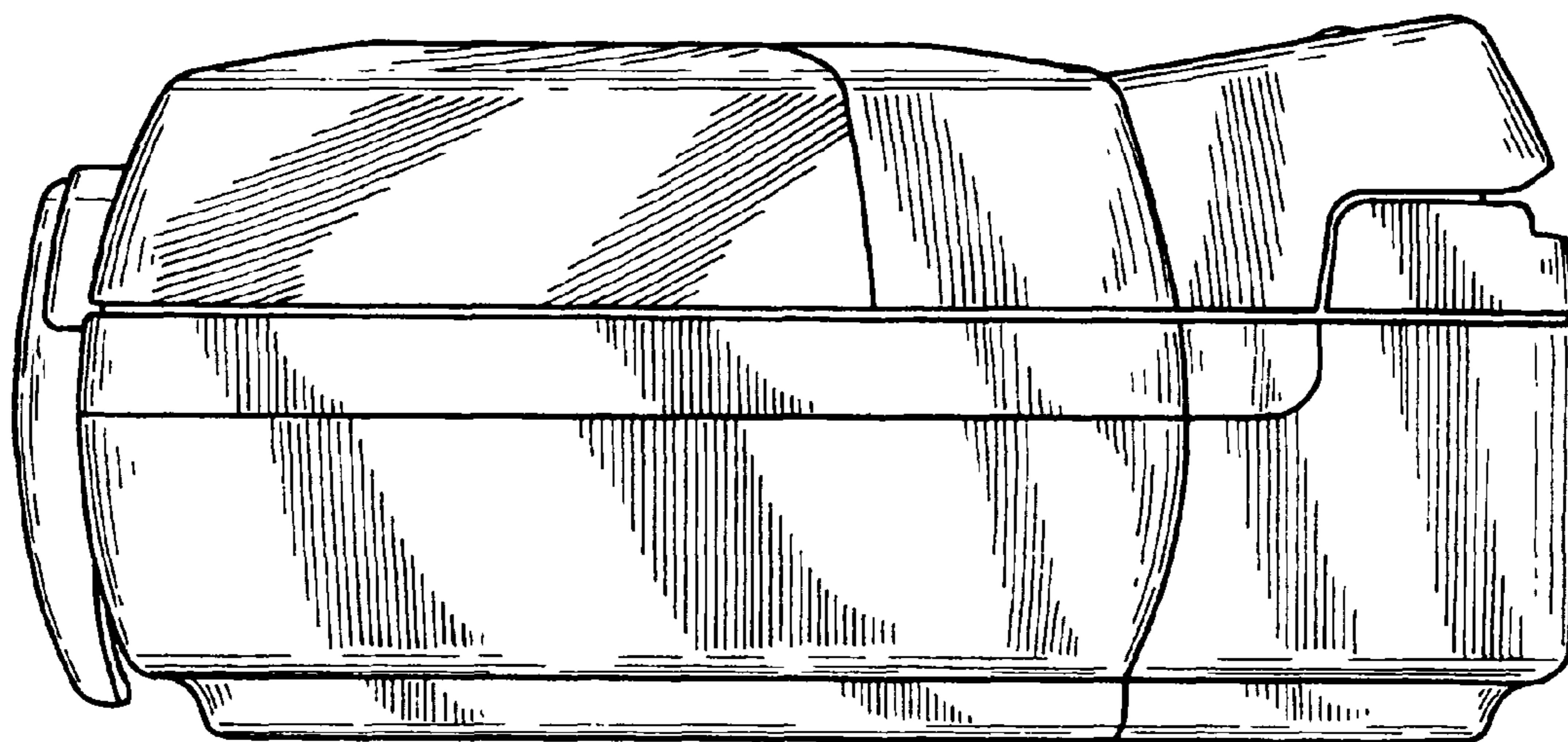


FIG. 7