



US00D638250S

(12) **United States Design Patent**  
**Lee et al.**

(10) **Patent No.:** **US D638,250 S**  
(45) **Date of Patent:** **\*\* May 24, 2011**

(54) **MICROWAVE OVEN**

(75) Inventors: **Sung Jun Lee**, Seoul (KR); **Ji Young Shin**, Seoul (KR)

(73) Assignee: **Samsung Electronics Co., Ltd**, Suwon (KR)

(\*\*) Term: **14 Years**

(21) Appl. No.: **29/357,280**

(22) Filed: **Mar. 10, 2010**

(51) **LOC (9) Cl.** ..... **07-02**

(52) **U.S. Cl.** ..... **D7/351**

(58) **Field of Classification Search** ..... D7/350.1,  
D7/350.3, 350.4, 351, 405; 219/756, 757,  
219/758, 391; 126/19 M, 21 A, 275 E, 275 R;  
99/352

See application file for complete search history.

(56) **References Cited**

**U.S. PATENT DOCUMENTS**

D294,103 S \* 2/1988 Katagami et al. .... D7/351  
D305,087 S \* 12/1989 Ichihara et al. .... D7/351  
D305,492 S \* 1/1990 Kawaishi et al. .... D7/351

D335,064 S \* 4/1993 Sugiyama et al. .... D7/351  
D437,179 S \* 2/2001 Ozaki et al. .... D7/351  
D455,932 S \* 4/2002 Noda et al. .... D7/351  
D478,465 S \* 8/2003 Kanza ..... D7/351  
D615,805 S \* 5/2010 Baek ..... D7/351

\* cited by examiner

*Primary Examiner* — Ruth McInroy

(74) *Attorney, Agent, or Firm* — Ladas & Parry LLP

(57) **CLAIM**

We claim the ornamental design for a microwave oven, as shown and described.

**DESCRIPTION**

FIG. 1 is a top, front and right-side perspective view of a microwave oven showing our new design; FIG. 2 is a front elevational view thereof; FIG. 3 is a rear elevational view thereof; FIG. 4 is a left-side elevational view thereof; FIG. 5 is a right-side elevational view thereof; FIG. 6 is a top plan view thereof; and, FIG. 7 is a bottom plan view thereof. The stippled shading shown in FIGS. 1, 2, 4-7 indicates contrast.

**1 Claim, 4 Drawing Sheets**

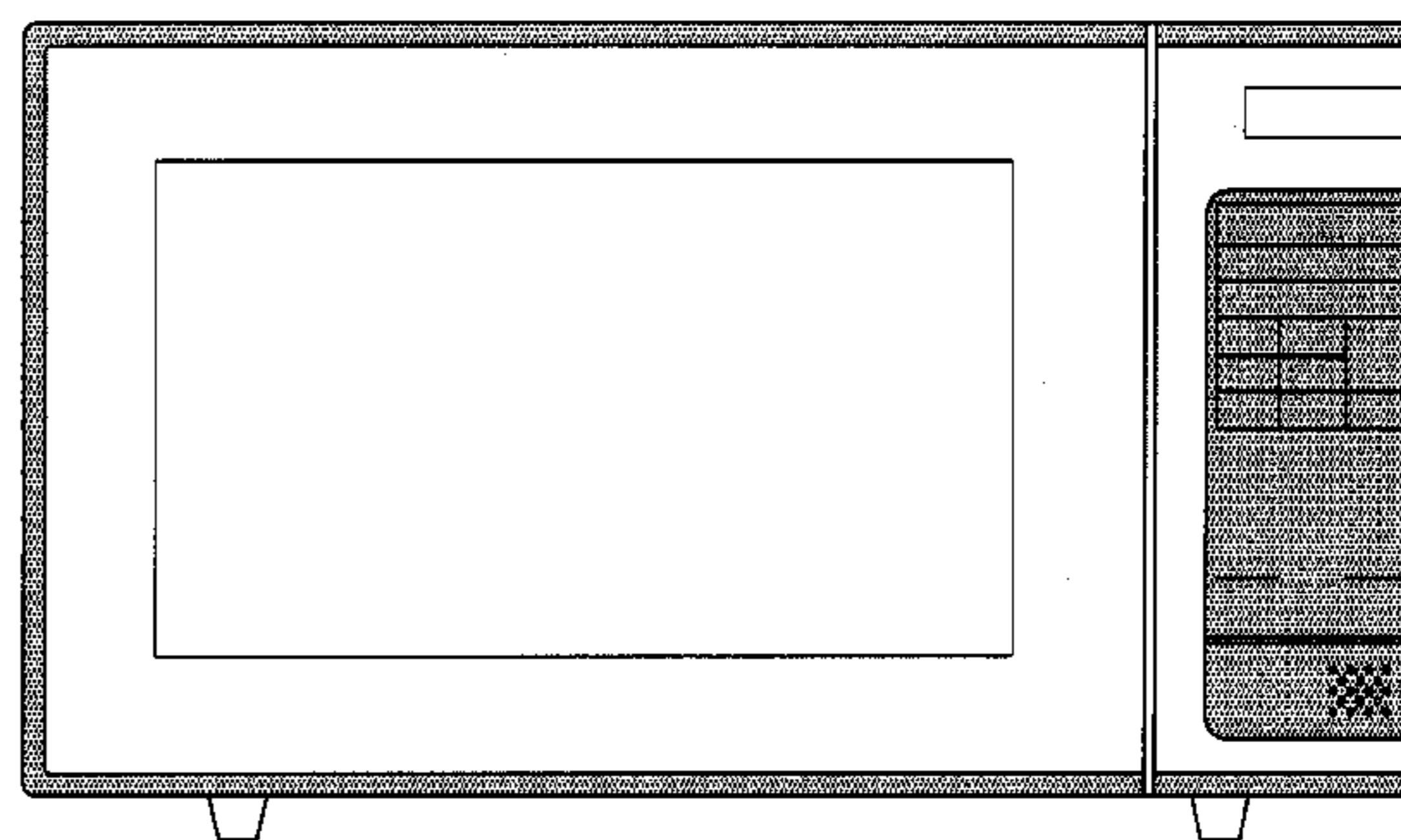
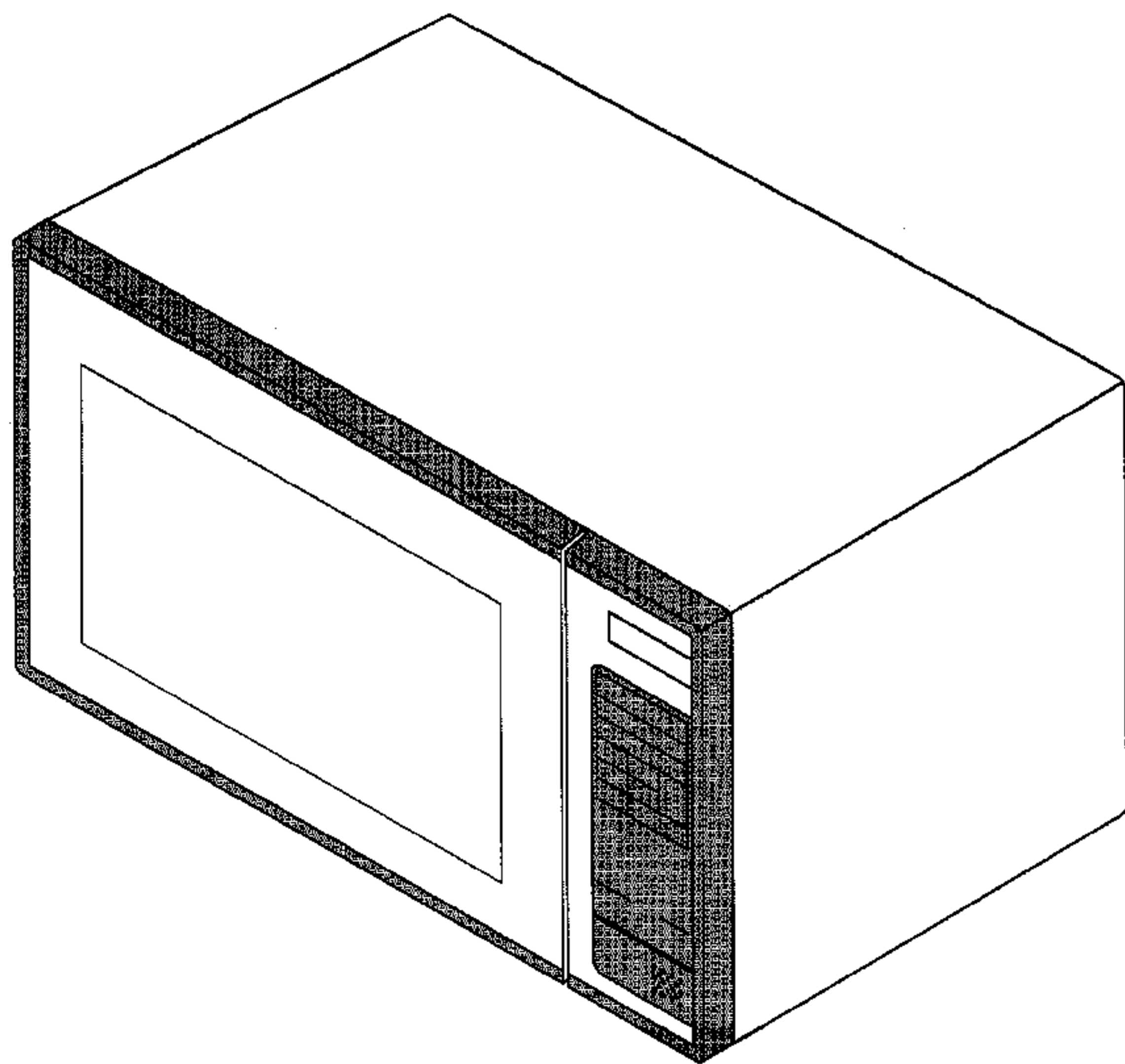
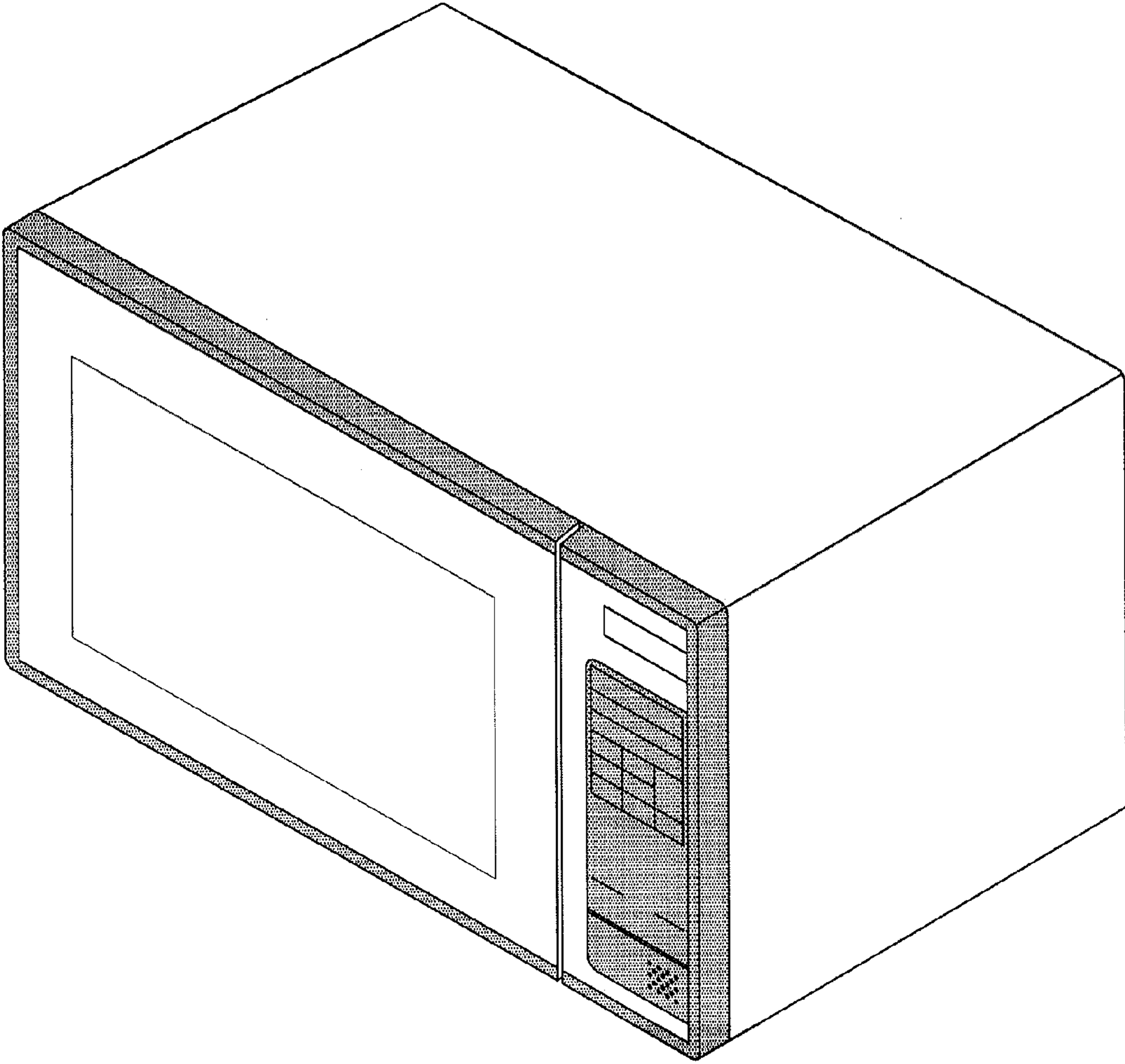
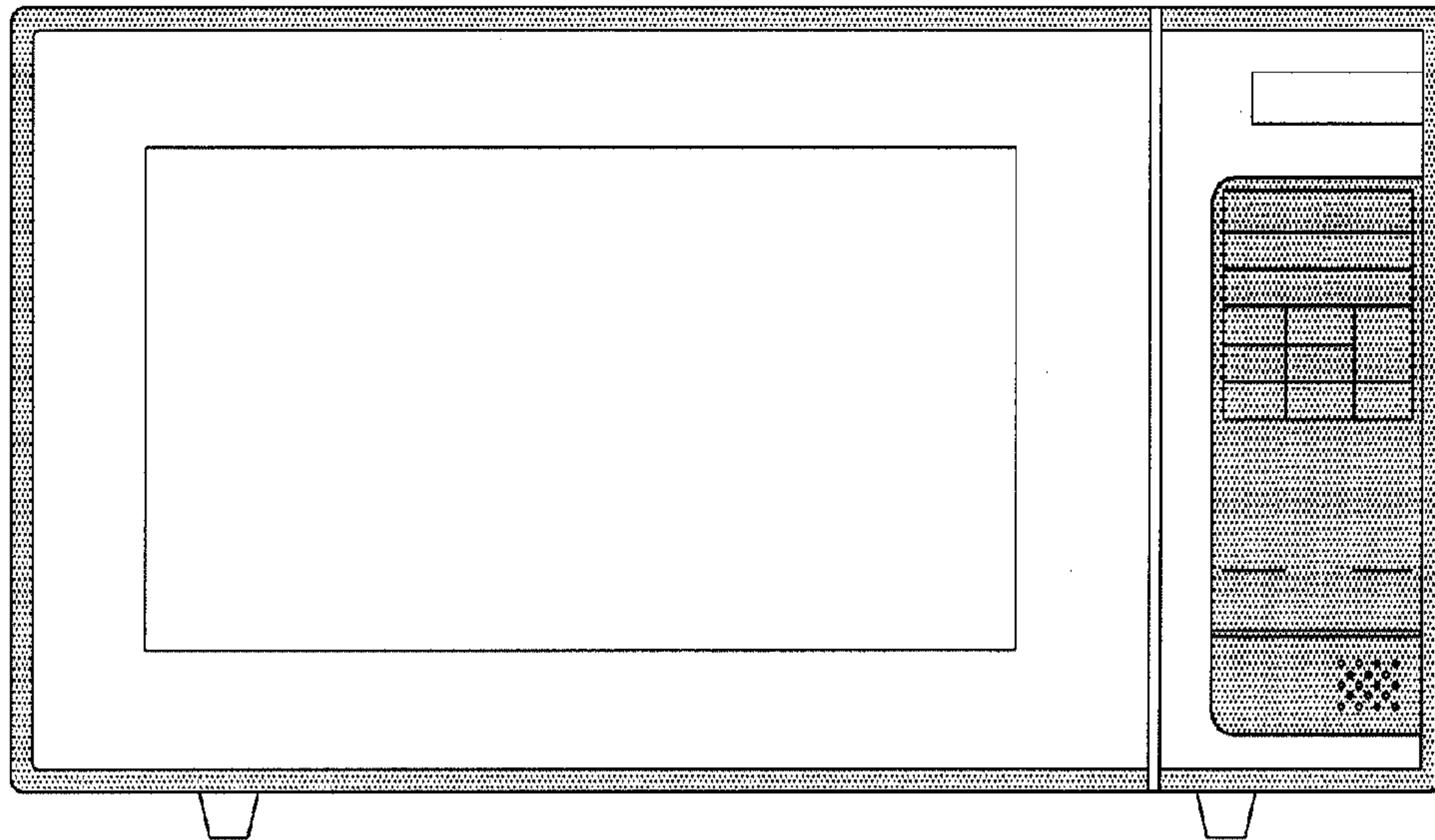


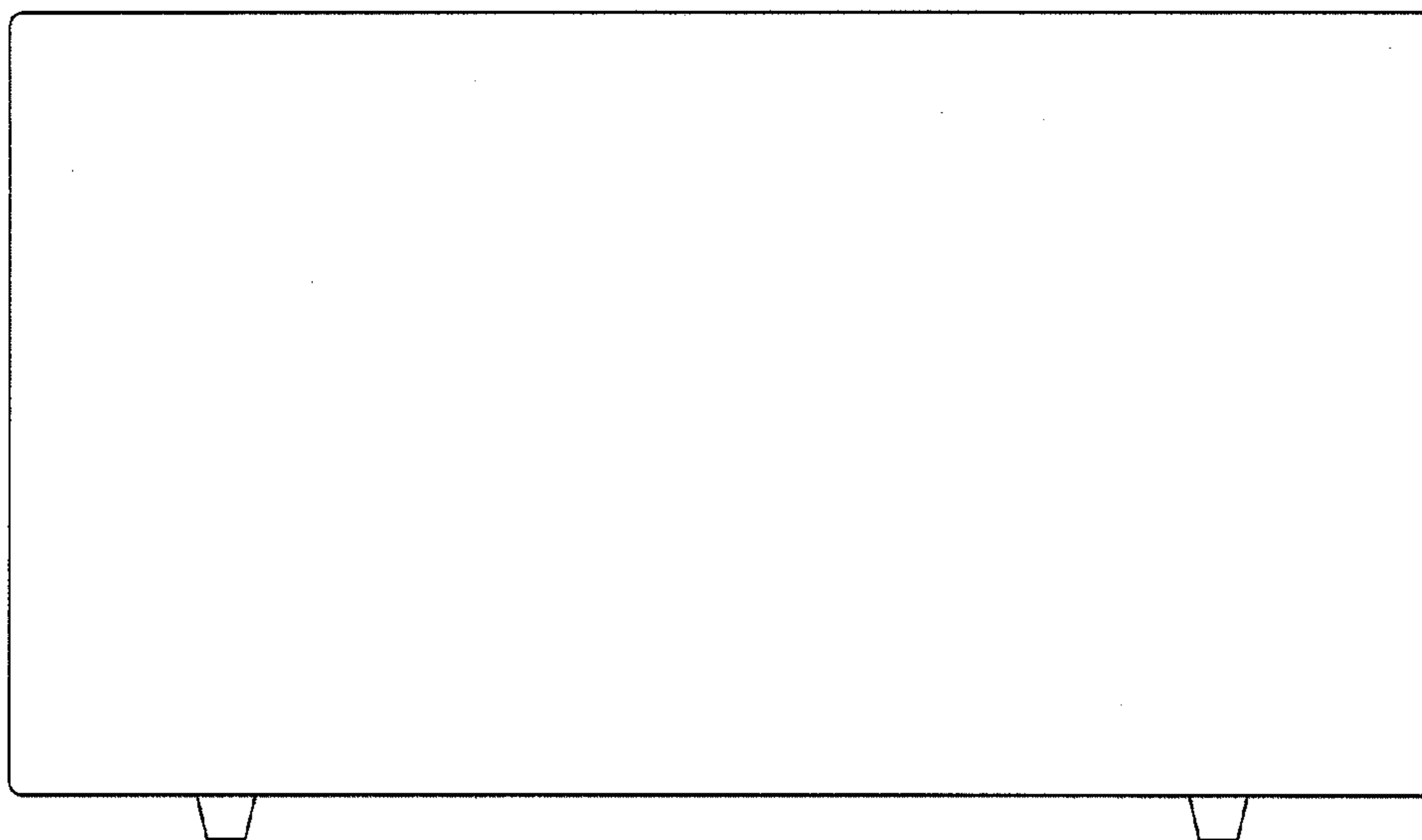
FIG. 1



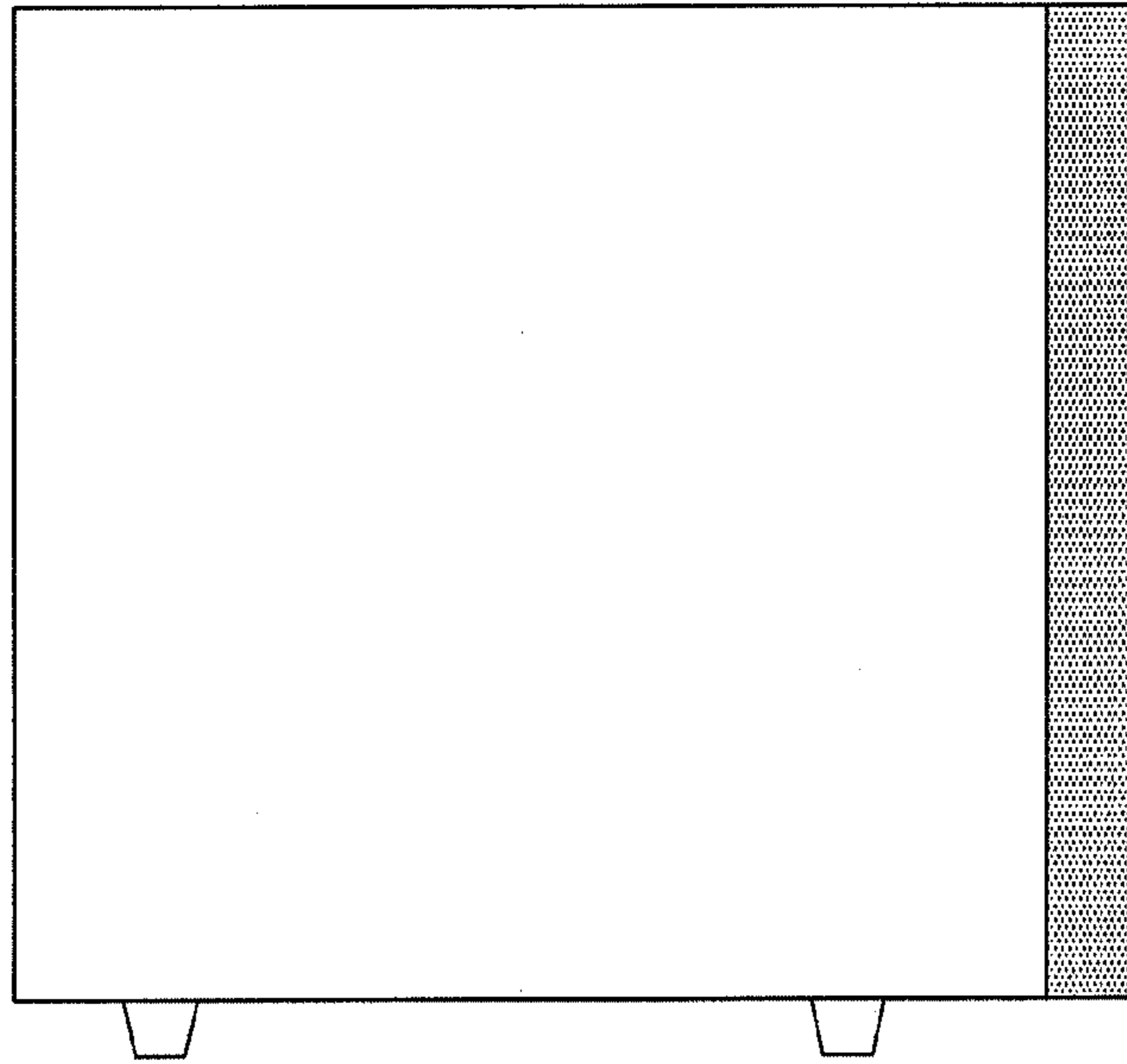
**FIG. 2**



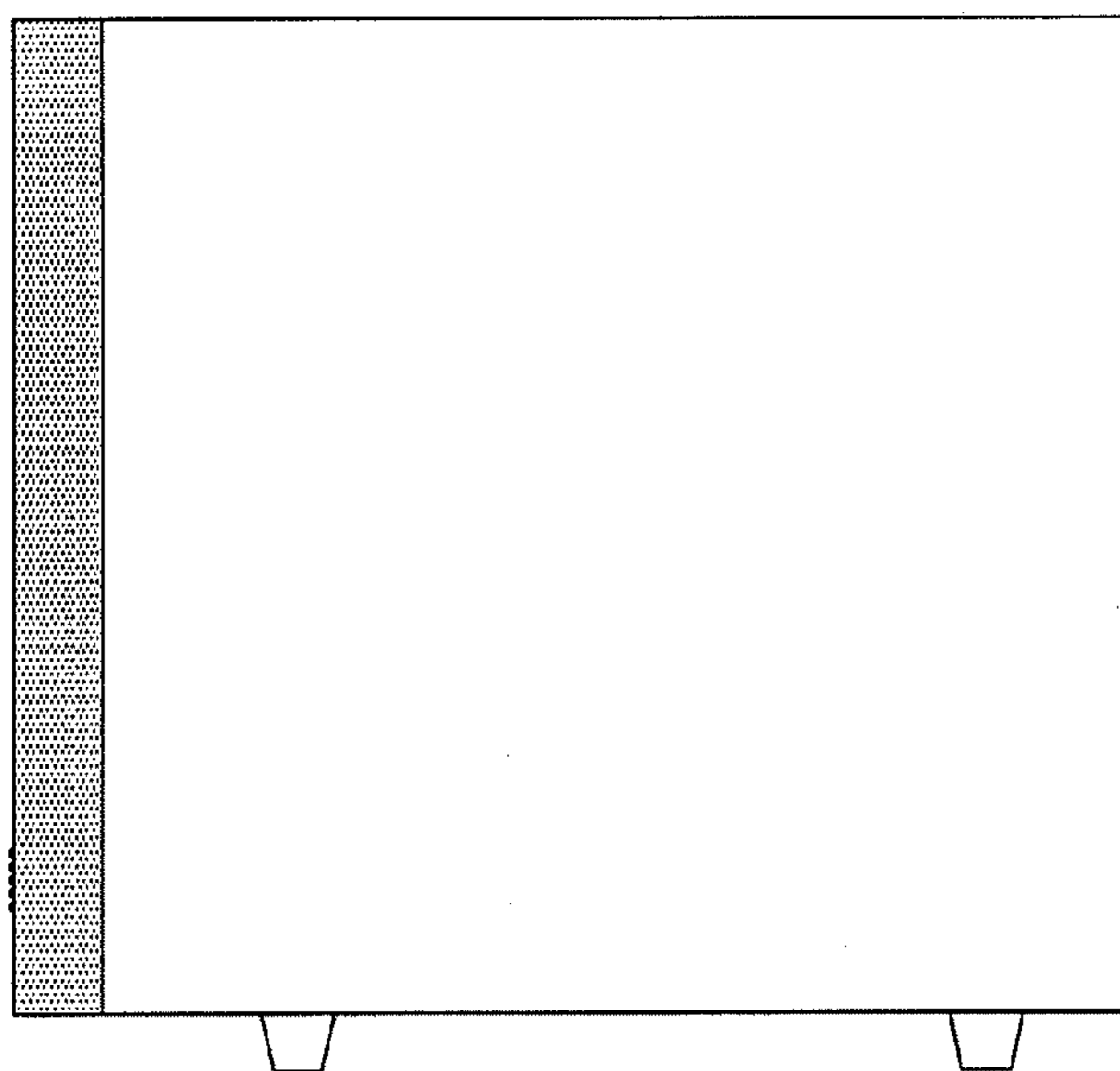
**FIG. 3**



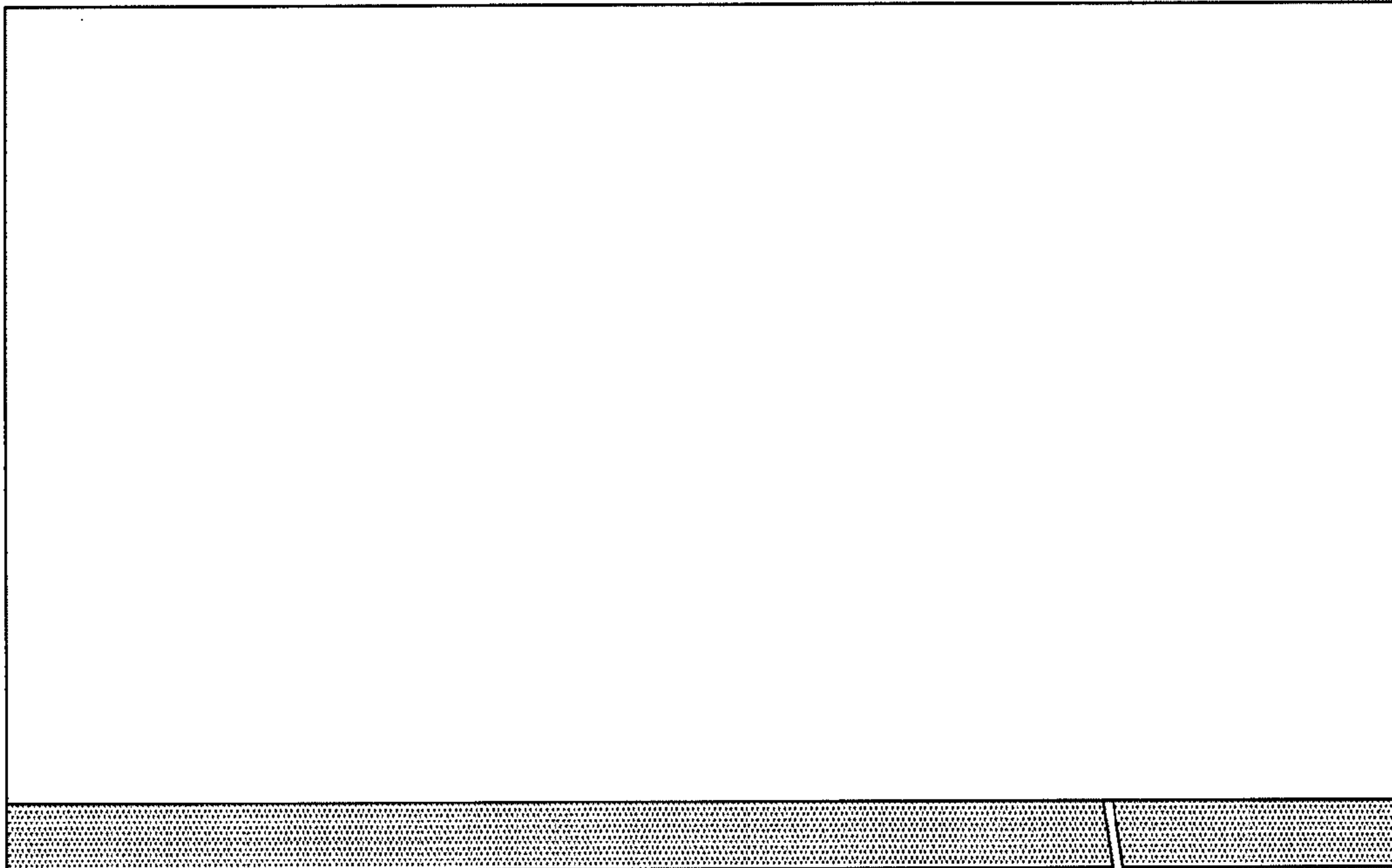
**FIG. 4**



**FIG. 5**



**FIG. 6**



**FIG. 7**

