



US00D638249S

(12) **United States Design Patent**
Ryan et al.

(10) **Patent No.:** **US D638,249 S**

(45) **Date of Patent:** **** May 24, 2011**

(54) **TOASTER OVEN**

(75) Inventors: **Garth Ryan**, Helensburgh (AU); **Keith James Hensel**, Lane Cove (AU)

(73) Assignee: **Breville Pty Limited**, Botony, New South Wales (AU)

(**) Term: **14 Years**

(21) Appl. No.: **29/356,051**

(22) Filed: **Feb. 18, 2010**

(30) **Foreign Application Priority Data**

Aug. 19, 2009 (AU) 13158/2009

(51) **LOC (9) Cl.** **07-02**

(52) **U.S. Cl.** **D7/350.1**

(58) **Field of Classification Search** 219/756,
219/757, 758, 391; 126/19 M, 21 A, 275 E,
126/275 R; 99/352, 391, 385; D7/350.1,
D7/350.3, 350.4, 351, 402, 405, 406
See application file for complete search history.

(56) **References Cited**

U.S. PATENT DOCUMENTS

D380,643 S *	7/1997	Piret	D7/350.4
D412,637 S *	8/1999	Piret	D7/350.4
D415,926 S *	11/1999	De'Longhi	D7/350.4
D420,245 S *	2/2000	De'Longhi	D7/350.4
D481,582 S *	11/2003	Seum et al.	D7/350.1

D521,799 S *	5/2006	Ledingham et al.	D7/350.1
D575,979 S *	9/2008	Borin	D7/350.1
D587,959 S *	3/2009	Hensel	D7/350.1
D602,306 S *	10/2009	Lavy	D7/350.1
D614,905 S *	5/2010	Fiorotto	D7/350.1
D614,906 S *	5/2010	Fiorotto	D7/350.1
D625,557 S *	10/2010	Pino et al.	D7/405

* cited by examiner

Primary Examiner — Ruth McInroy

(74) *Attorney, Agent, or Firm* — Molins & Co.

(57) **CLAIM**

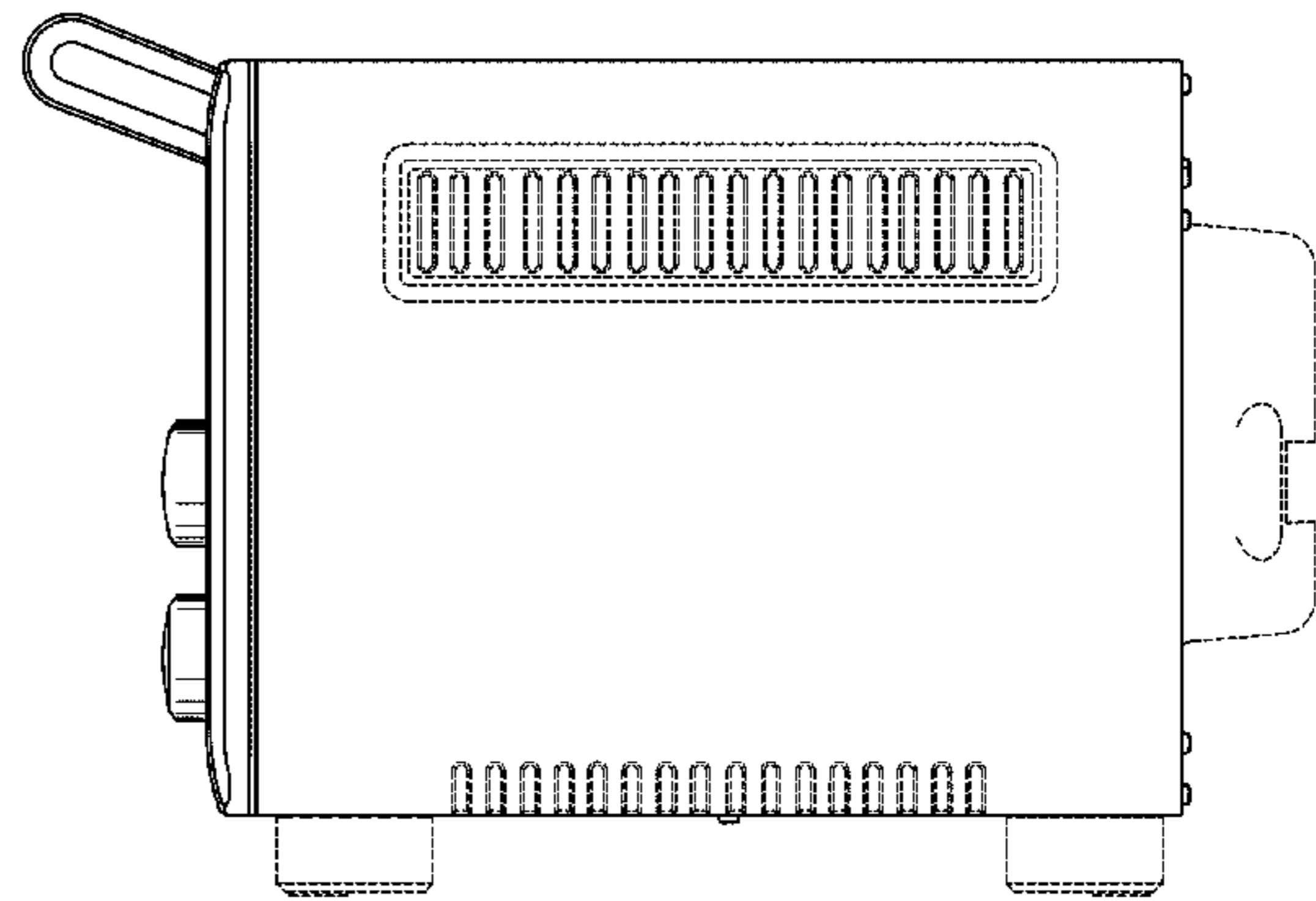
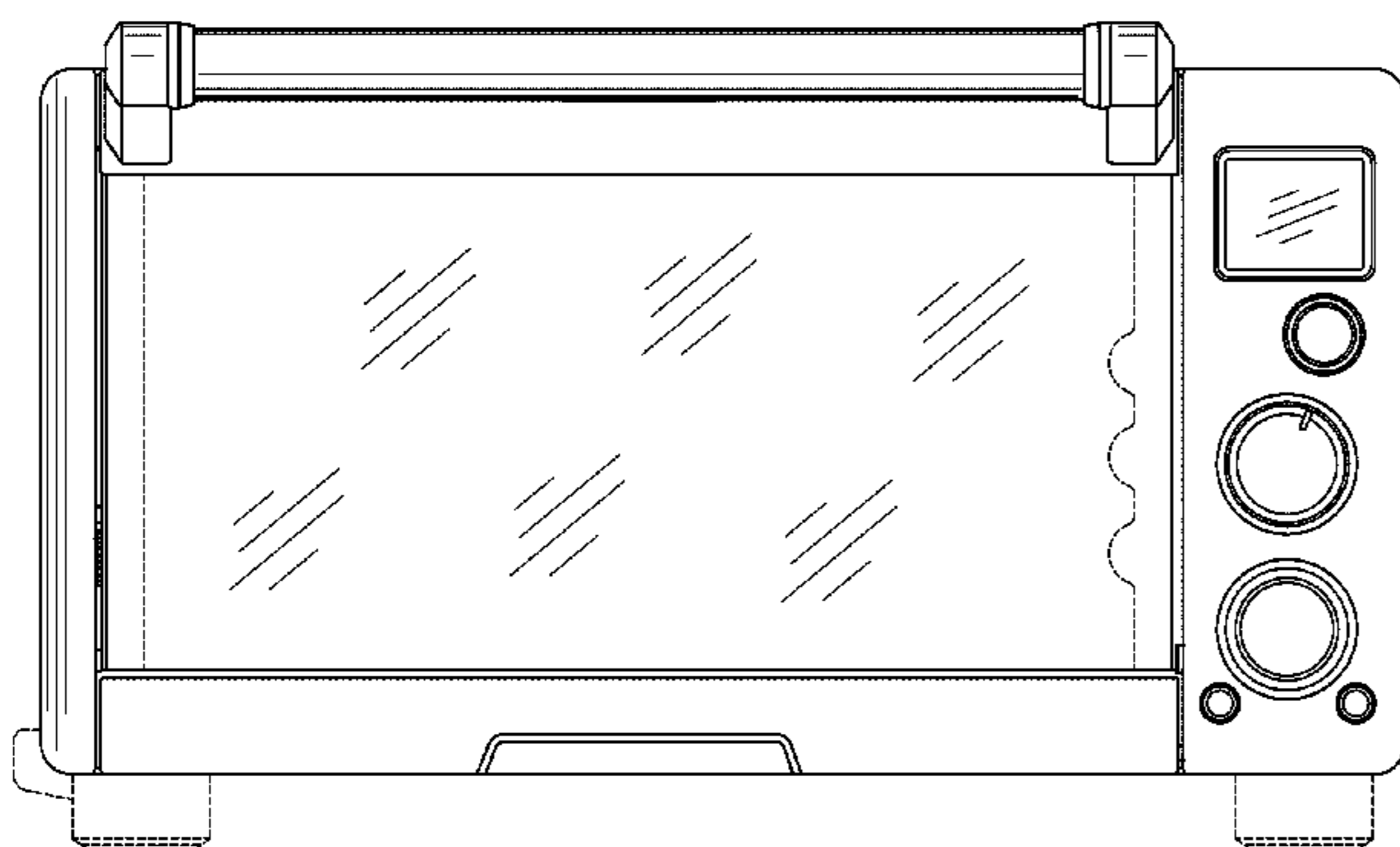
The ornamental design for a toaster oven, as shown and described.

DESCRIPTION

FIG. 1 is a front view of a toaster oven showing our new design;
FIG. 2 is a top view thereof;
FIG. 3 is a rear view thereof;
FIG. 4 is a bottom view thereof;
FIG. 5 is a left side view thereof;
FIG. 6 is a right side view thereof;
FIG. 7 is a front perspective view thereof; and,
FIG. 8 is a rear perspective view thereof.

The broken lines in the drawings are for illustrative purposes and form no part of the claimed design.

1 Claim, 8 Drawing Sheets



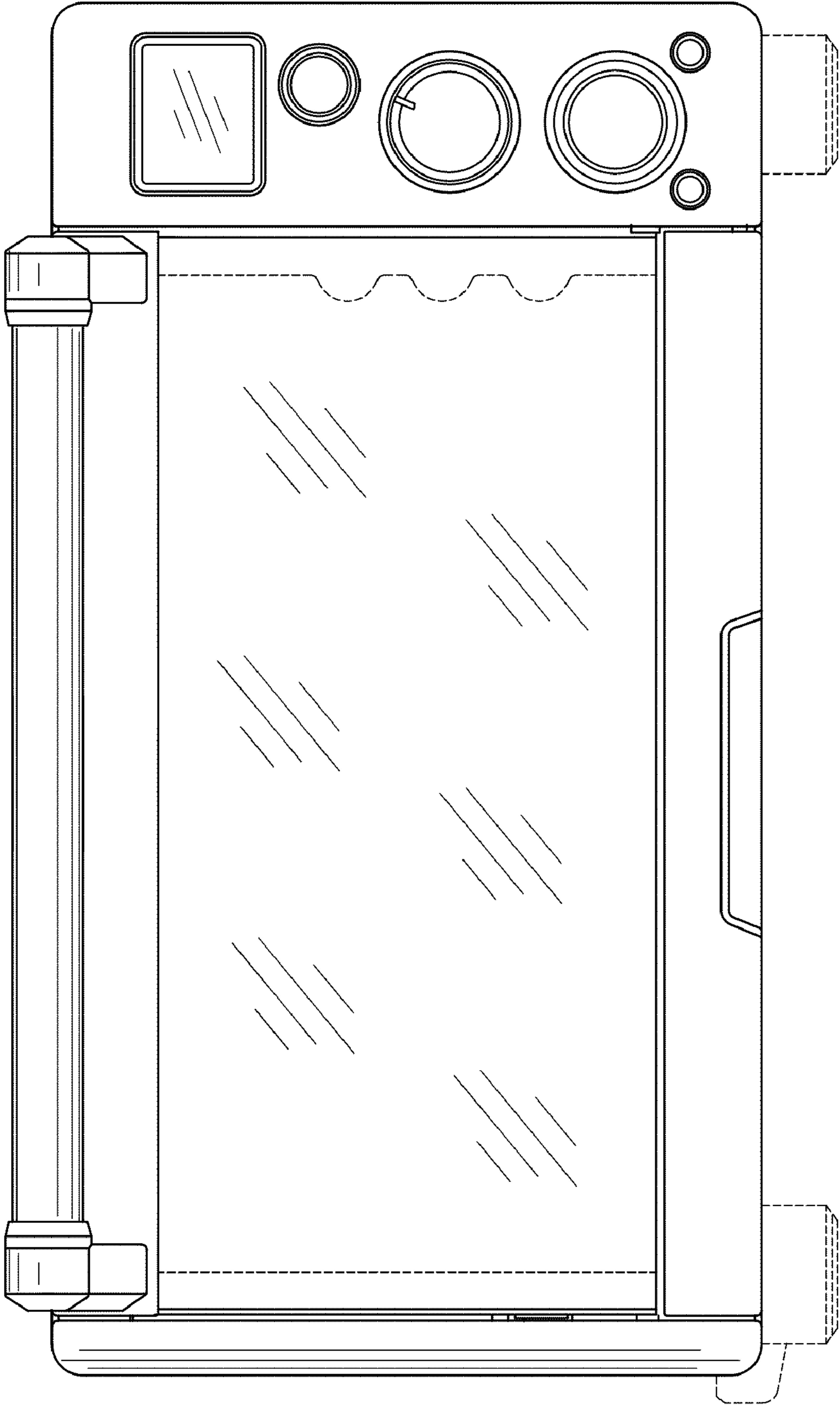


FIG.1

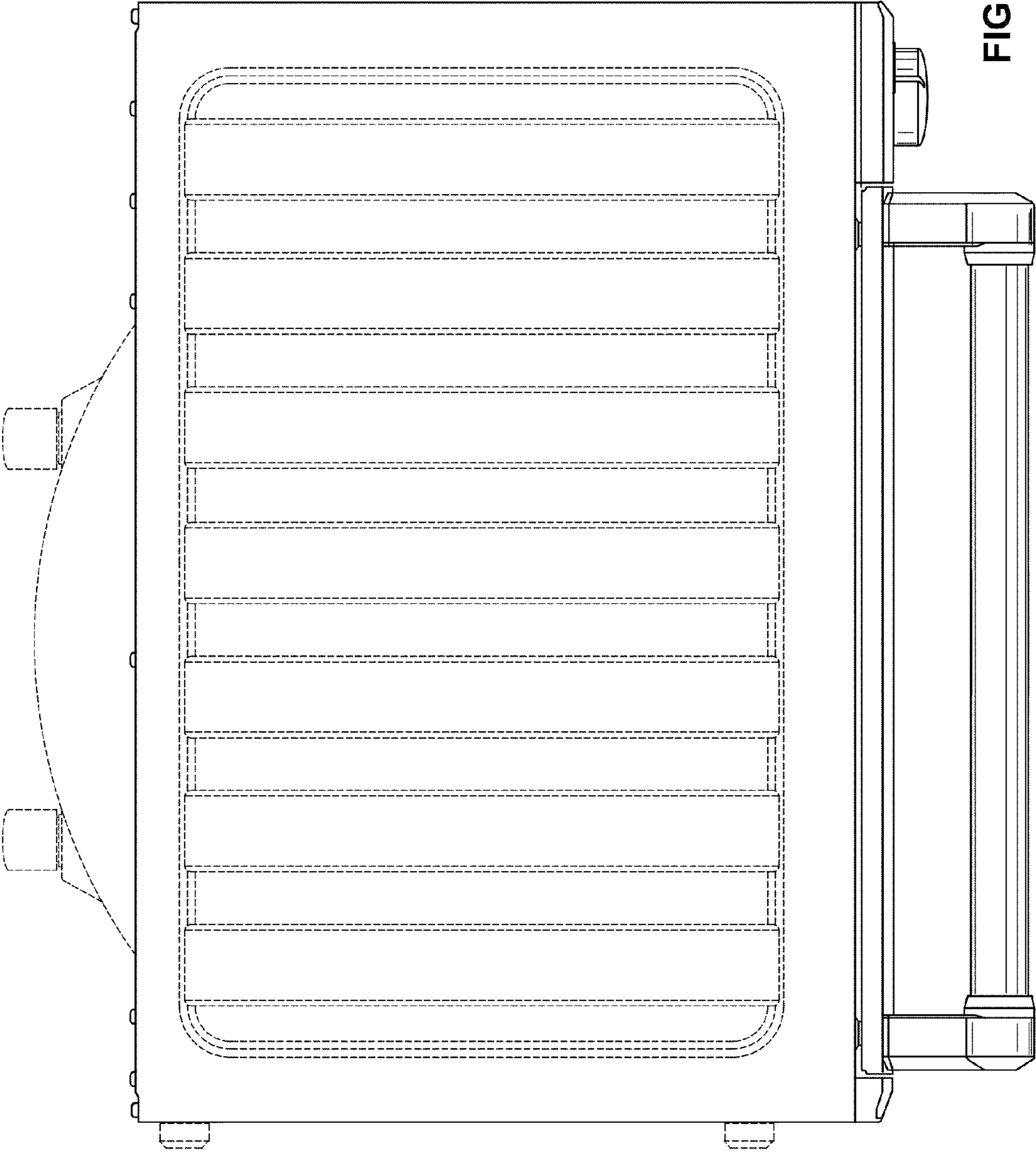


FIG.2

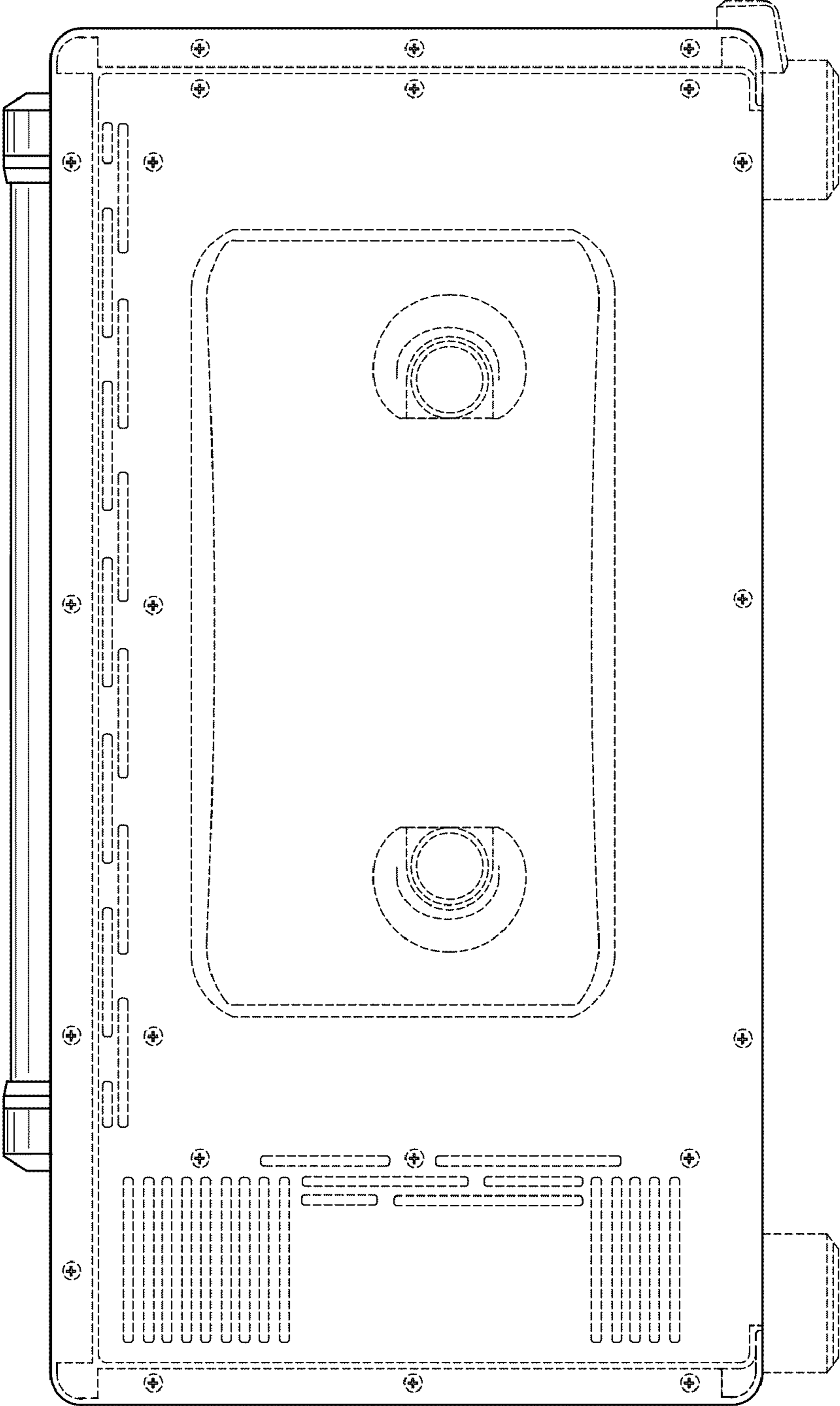


FIG.3

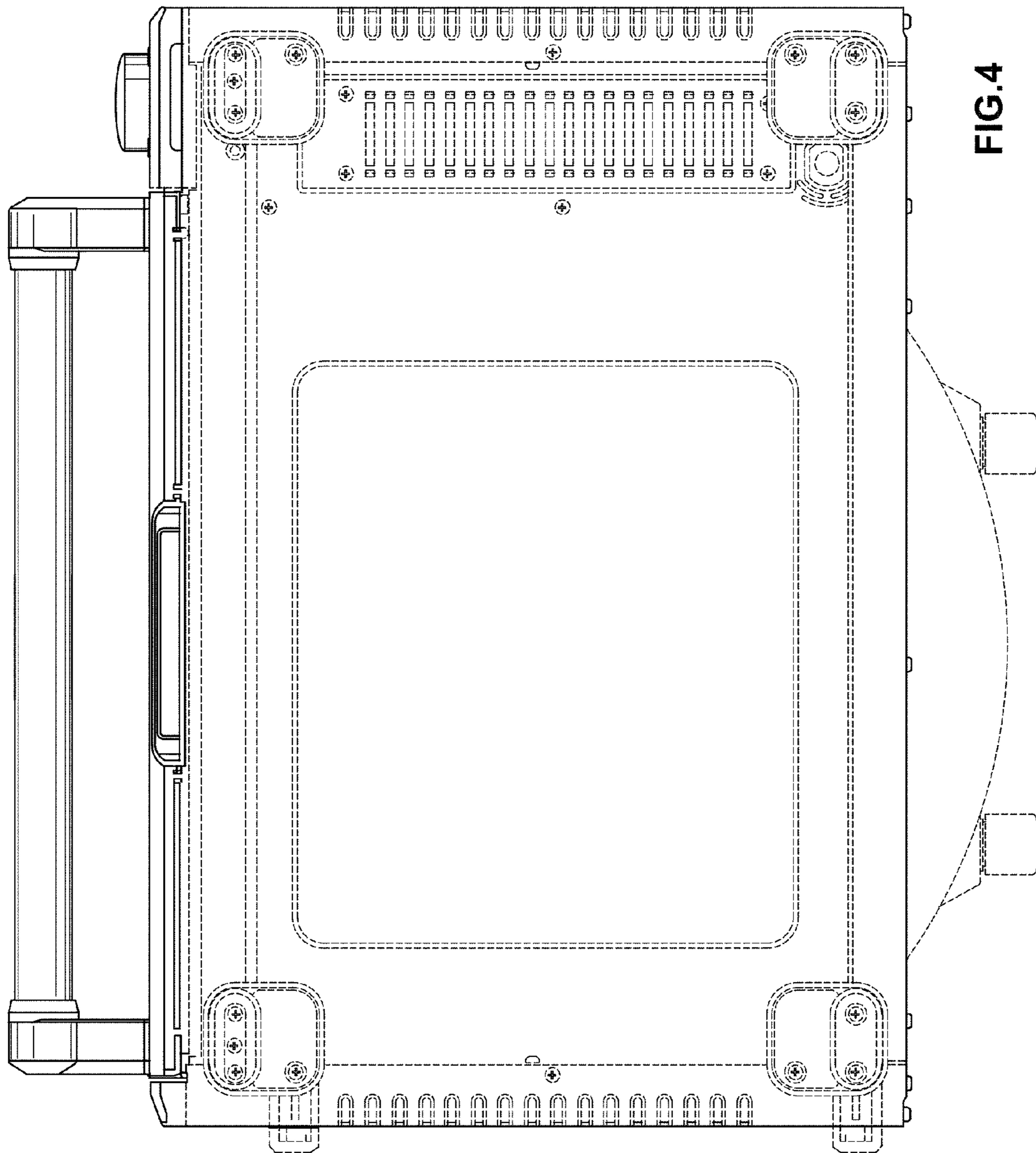


FIG.4

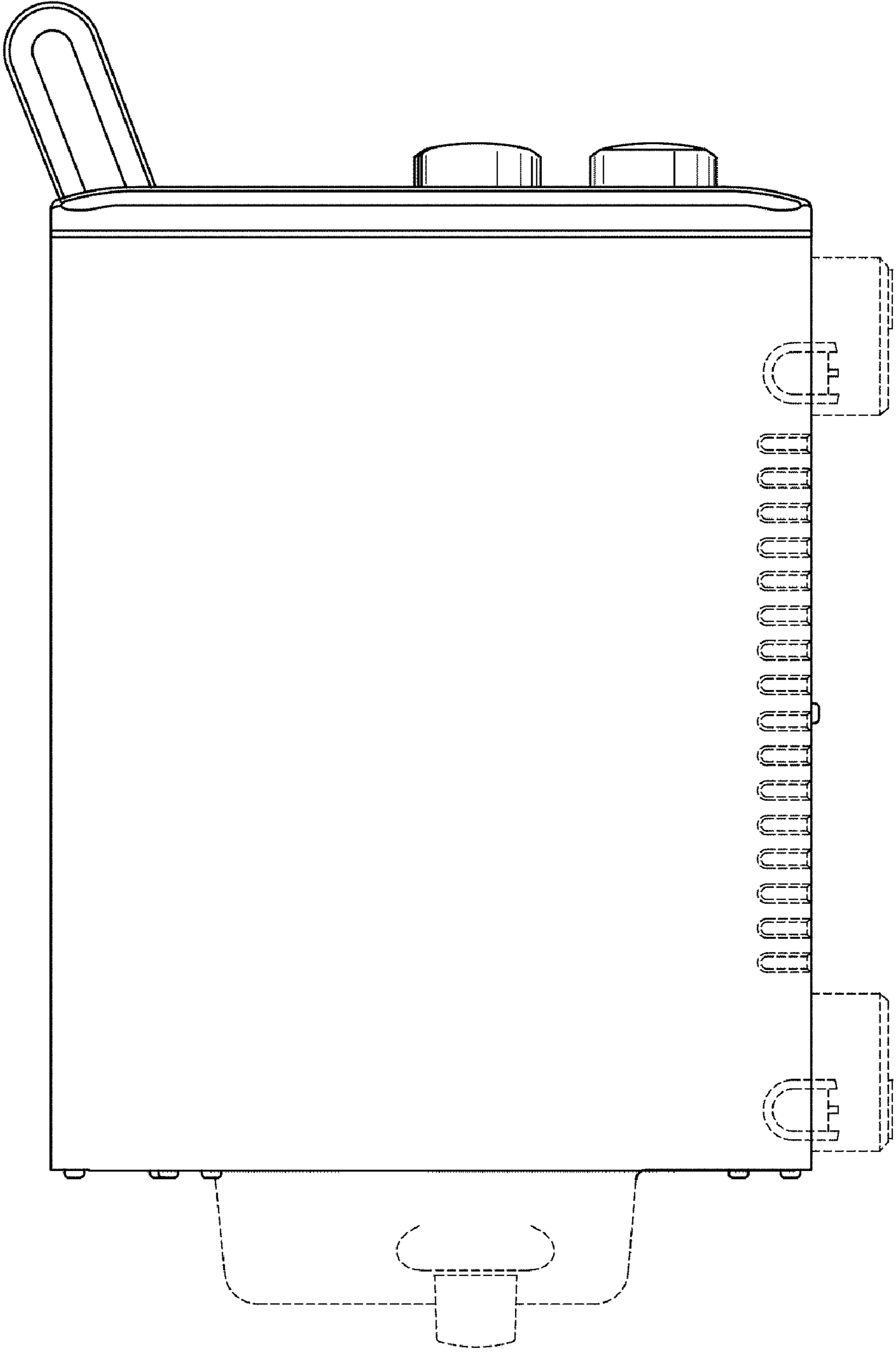


FIG.5

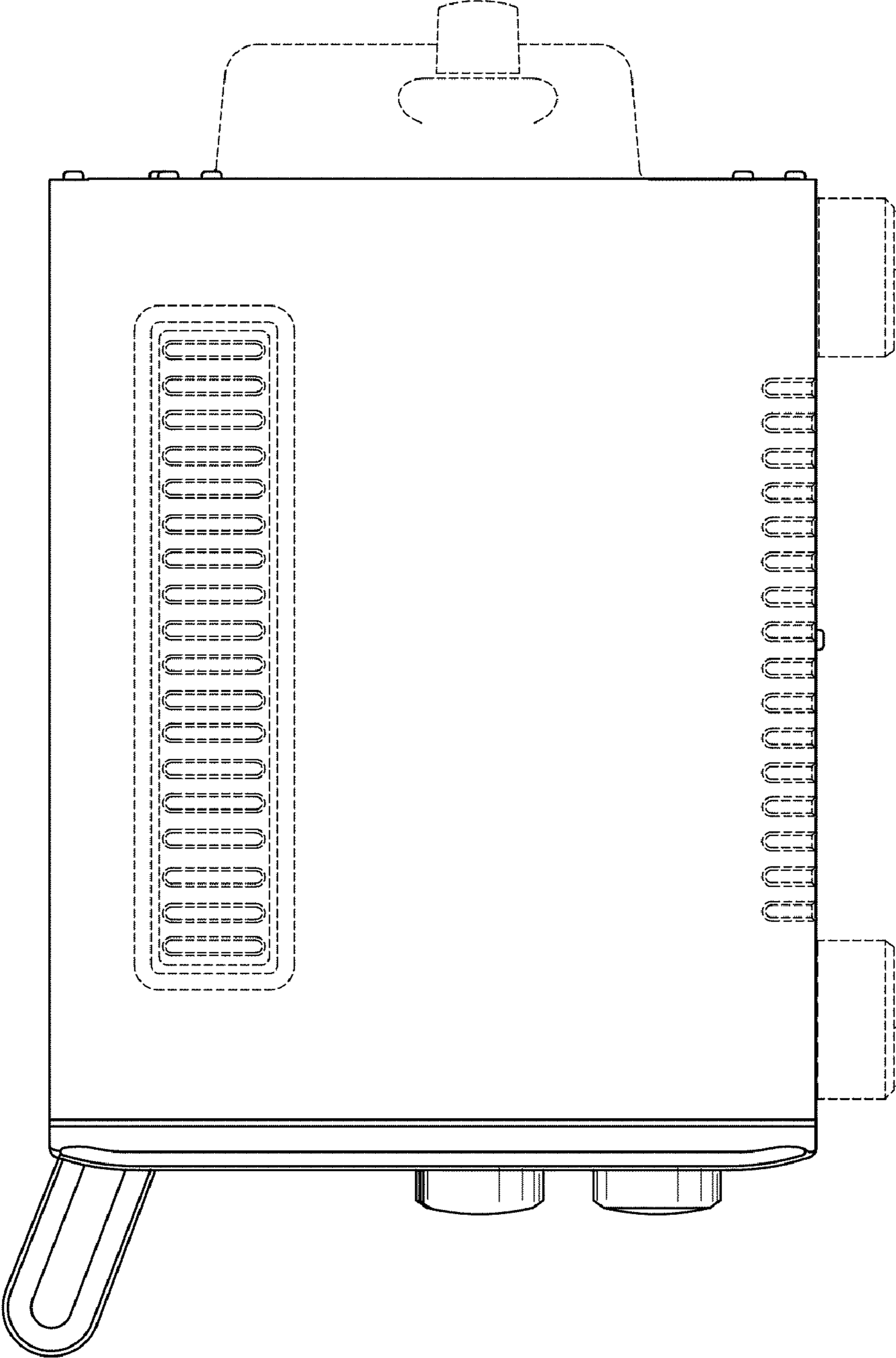


FIG.6

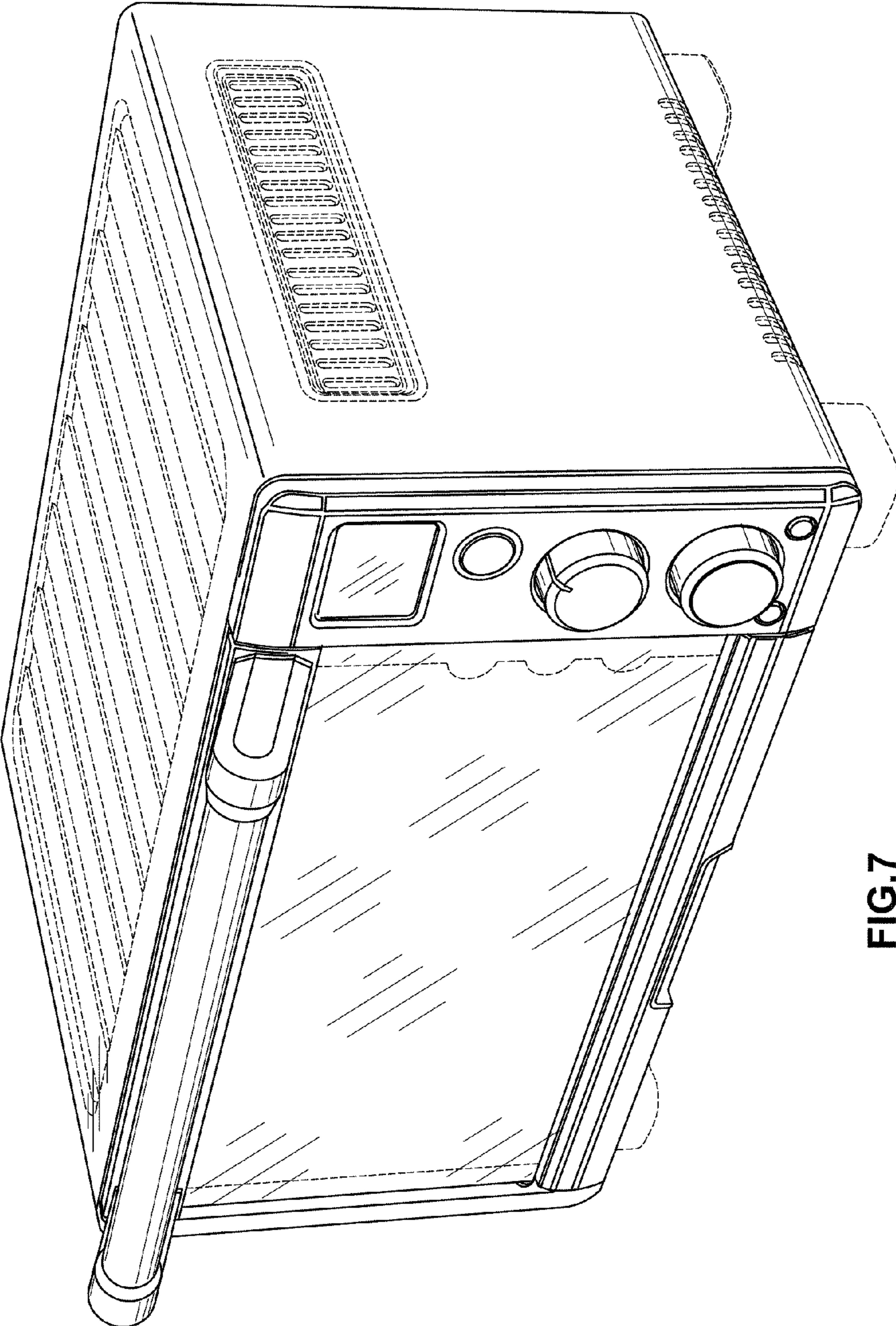


FIG.7

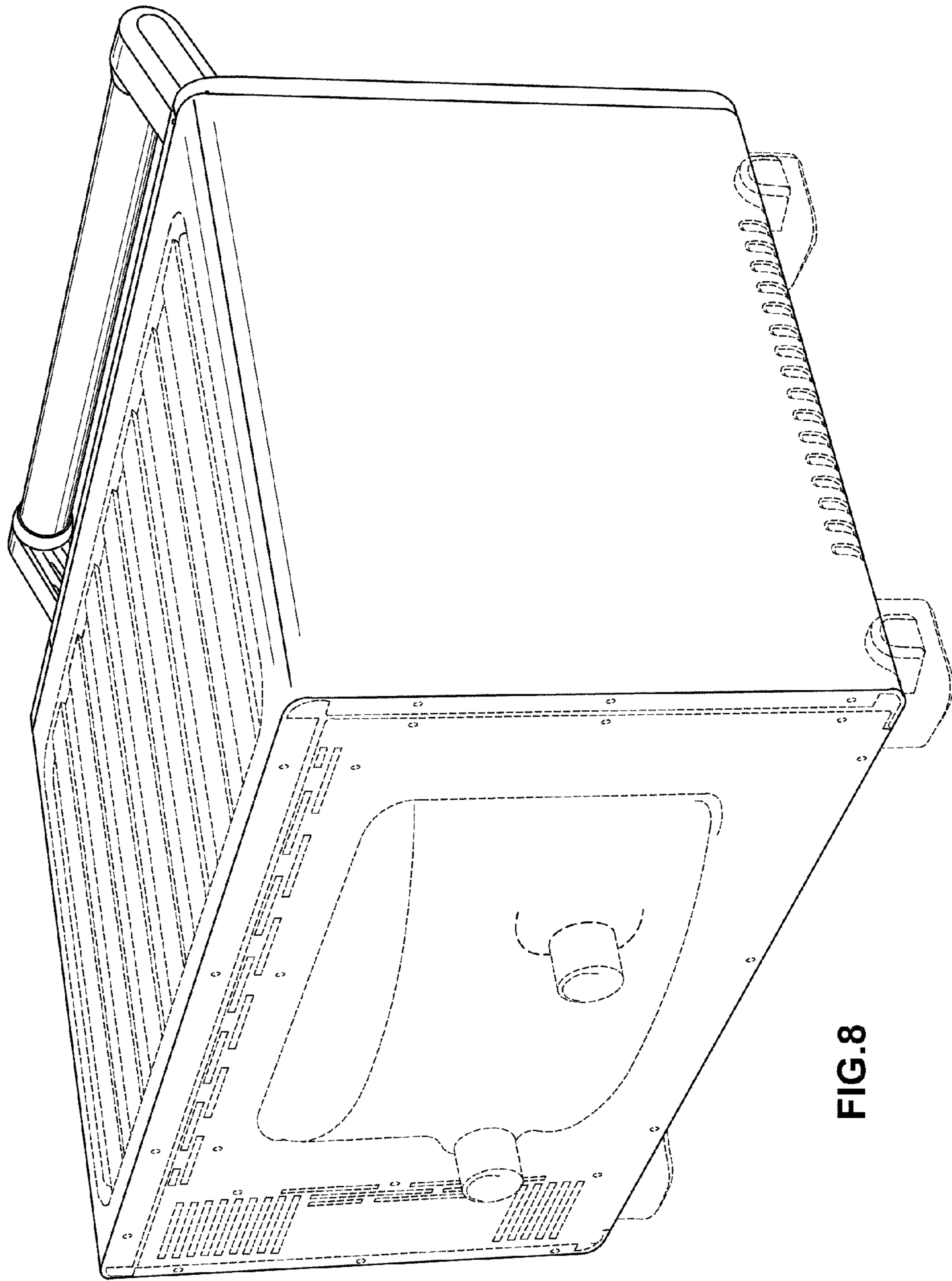


FIG.8