



US00D638248S

(12) **United States Design Patent**
Lebowitz et al.

(10) **Patent No.:** **US D638,248 S**

(45) **Date of Patent:** **** May 24, 2011**

(54) **TEA KETTLE**

(75) Inventors: **Sam Lebowitz**, Woodridge, IL (US);
David Starr, Woodridge, IL (US); **John Howell**, Woodridge, IL (US)

(73) Assignee: **Wilton Industries Inc.**, Woodridge, IL (US)

(**) Term: **14 Years**

(21) Appl. No.: **29/355,144**

(22) Filed: **Feb. 3, 2010**

(51) **LOC (9) Cl.** **07-01**

(52) **U.S. Cl.** **D7/322; D7/321**

(58) **Field of Classification Search** D7/300,
D7/321, 322, 312, 320; 222/469, 471, 571,
222/500; 99/295; 220/318

See application file for complete search history.

D497,511 S *	10/2004	Lebowitz	D7/322
D502,838 S *	3/2005	Ancona	D7/321
7,048,144 B1	5/2006	Chan et al.		
RE39,431 E	12/2006	Naden et al.		
D540,610 S	4/2007	Lebowitz		
D541,100 S *	4/2007	Lebowitz	D7/322
D541,573 S	5/2007	Lebowitz		
D544,751 S	6/2007	Henderson		
7,225,952 B2	6/2007	Naden		
D553,428 S	10/2007	Henderson		
7,303,100 B2	12/2007	Palm et al.		
D574,656 S	8/2008	Lebowitz		
D574,657 S	8/2008	Lebowitz		
D574,658 S	8/2008	Grund et al.		
D574,659 S *	8/2008	Lebowitz	D7/322
D574,660 S *	8/2008	Grund et al.	D7/322
D575,094 S	8/2008	Lebowitz		
D584,561 S	1/2009	Ljunggren et al.		
D598,235 S	8/2009	Cozolino		

(Continued)

Primary Examiner — Marianne Pandozzi

(74) *Attorney, Agent, or Firm* — Foley & Lardner LLP

(56) **References Cited**

U.S. PATENT DOCUMENTS

D133,823 S *	9/1942	Schneider	D7/312
5,135,128 A	8/1992	Kuhn		
D336,006 S *	6/1993	Lebowitz	D7/322
D352,419 S *	11/1994	Lin	D7/322
5,490,616 A *	2/1996	Stowell et al.	222/472
D380,337 S	7/1997	Lien		
D381,239 S *	7/1997	Chen	D7/322
D396,988 S *	8/1998	Lien	D7/322
D407,943 S *	4/1999	Chen	D7/322
6,006,959 A *	12/1999	Naden et al.	222/469
D427,004 S	6/2000	Thurlow		
D428,758 S	8/2000	Santiago et al.		
D448,239 S	9/2001	Ide et al.		
D448,963 S *	10/2001	Shim	D7/322
D451,757 S	12/2001	Shim		
6,540,120 B2	4/2003	Lebowitz		
D478,243 S	8/2003	Lebowitz		
D478,767 S *	8/2003	Lebowitz	D7/322
D478,768 S	8/2003	Belton		
D484,735 S	1/2004	Lebowitz		
D490,641 S *	6/2004	Lebowitz	D7/321

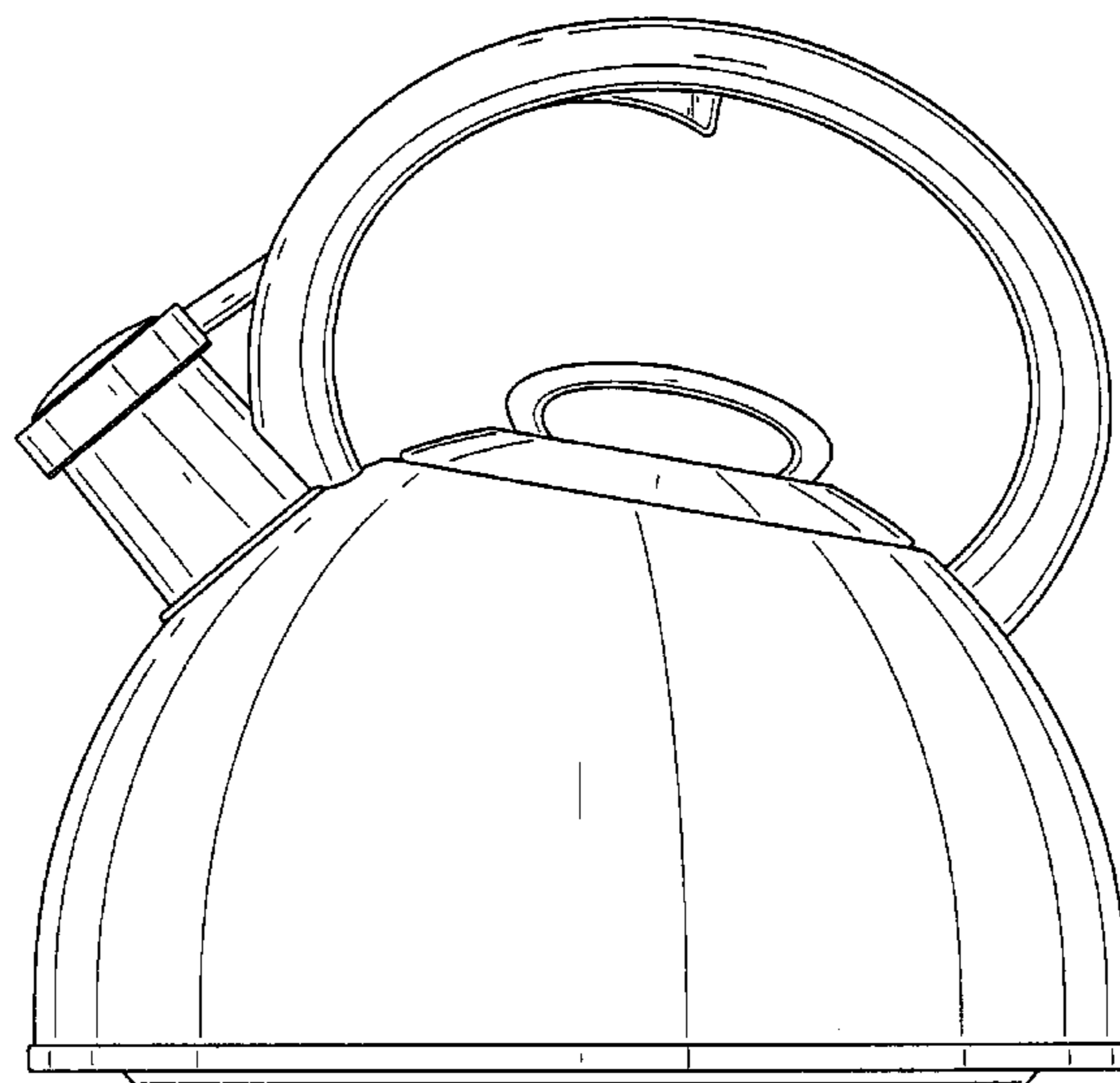
(57) **CLAIM**

I claim the ornamental design for a tea kettle, as shown and described.

DESCRIPTION

FIG. 1 is a left front side perspective view of the tea kettle; FIG. 2 is a front view of the design embodiment shown in FIG. 1; FIG. 3 is a back view of the design embodiment shown in FIG. 1; FIG. 4 is a right side view of the design embodiment shown in FIG. 1; FIG. 5 is a left side view of the design embodiment shown in FIG. 1; FIG. 6 is a top view of the design embodiment shown in FIG. 1; and, FIG. 7 is a bottom view of the design embodiment shown in FIG. 1.

1 Claim, 7 Drawing Sheets



US D638,248 S

Page 2

U.S. PATENT DOCUMENTS

D604,089 S 11/2009 Hanna
2005/0247743 A1 11/2005 Loring

2007/0119878 A1 5/2007 Naden
2007/0215651 A1 9/2007 Lebowitz

* cited by examiner

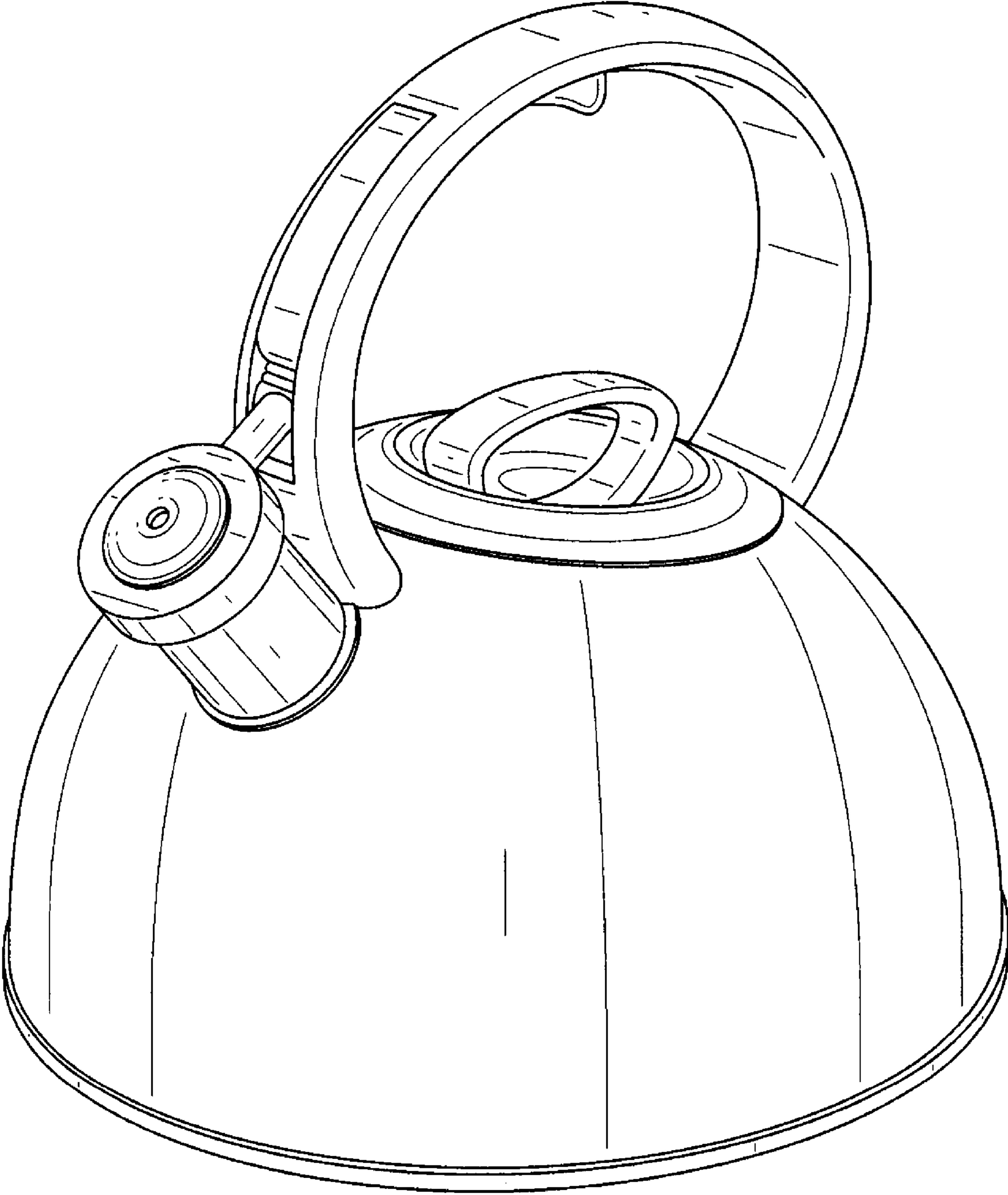


FIG. 1

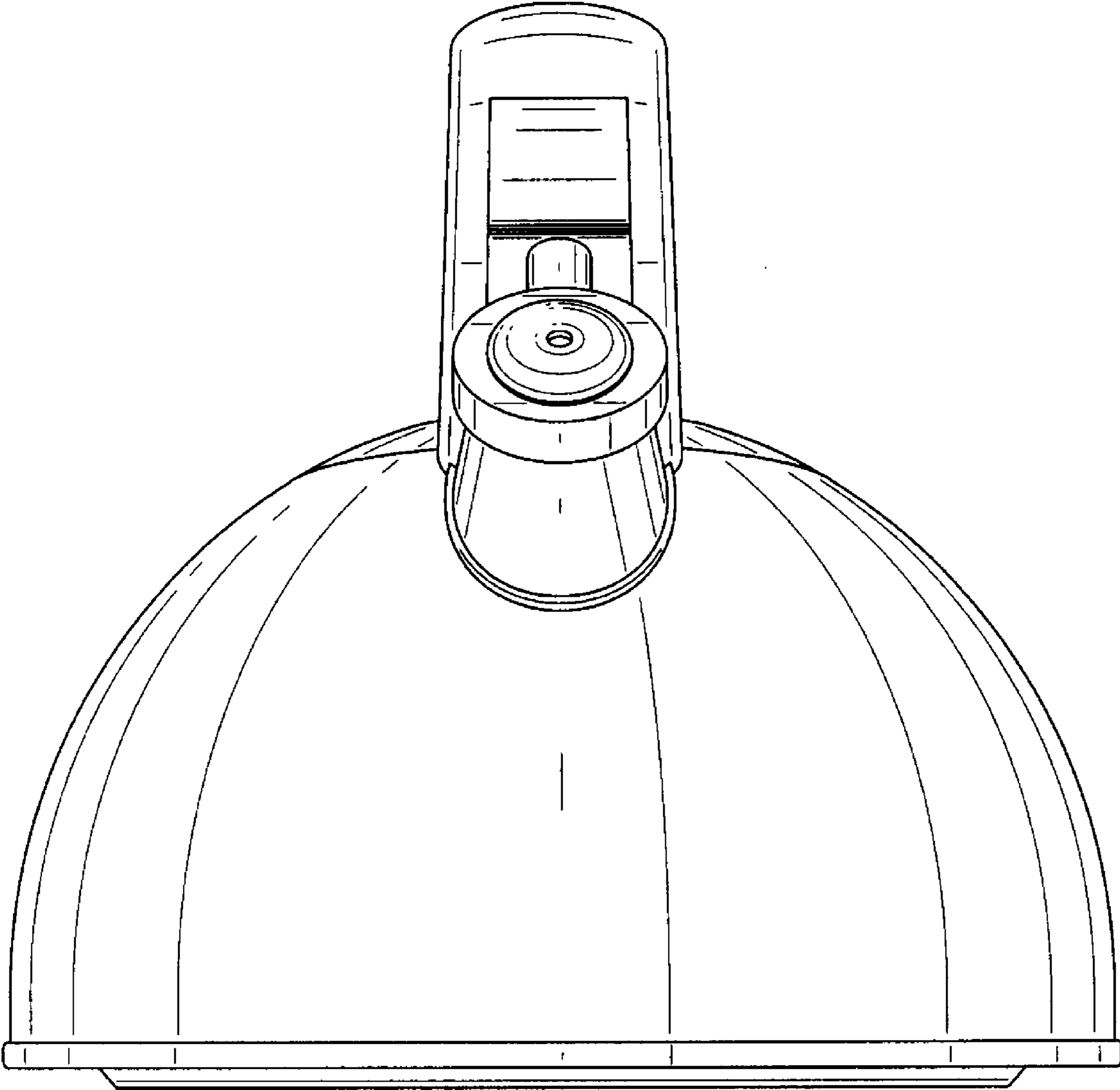


FIG. 2

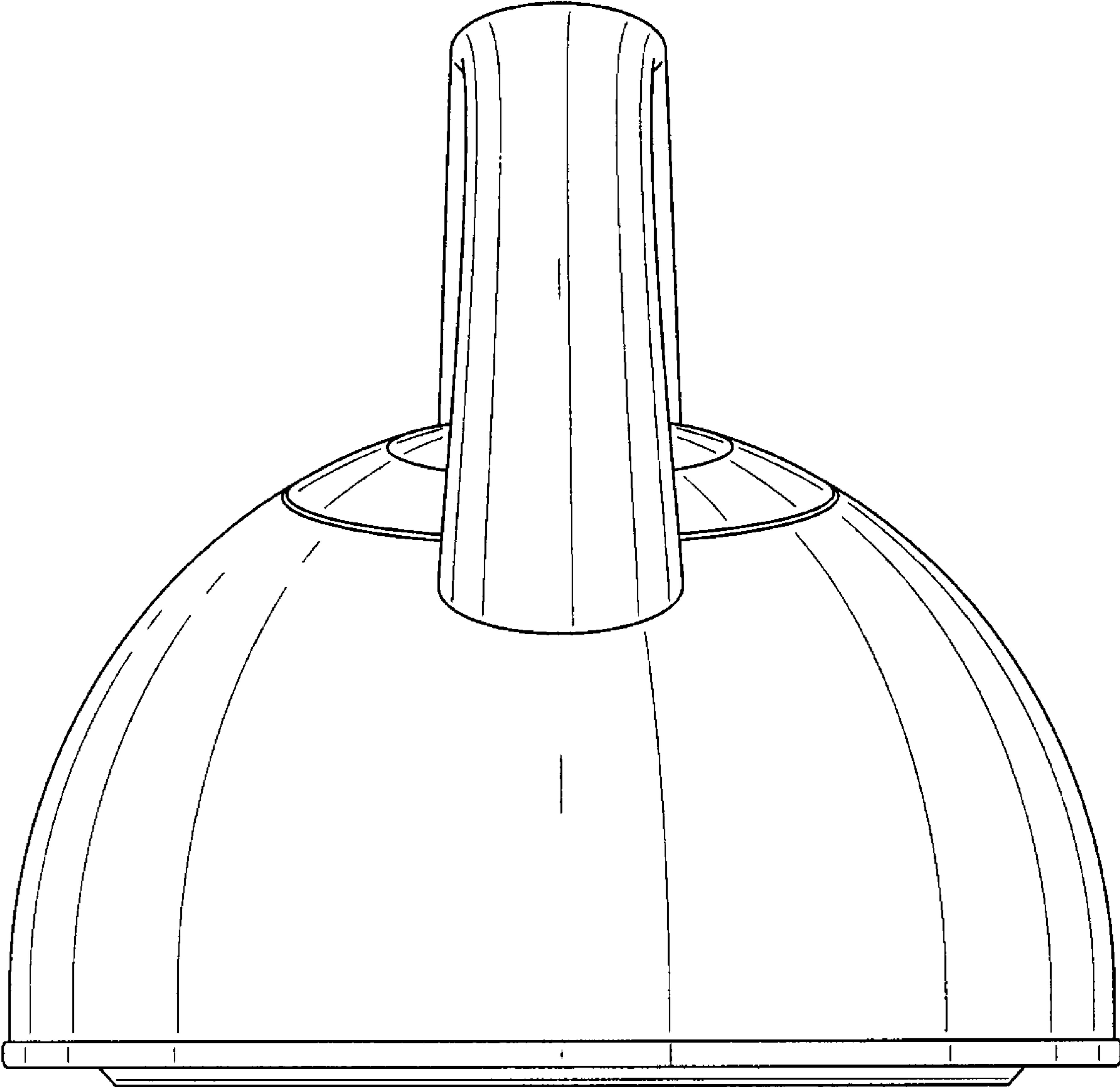


FIG. 3

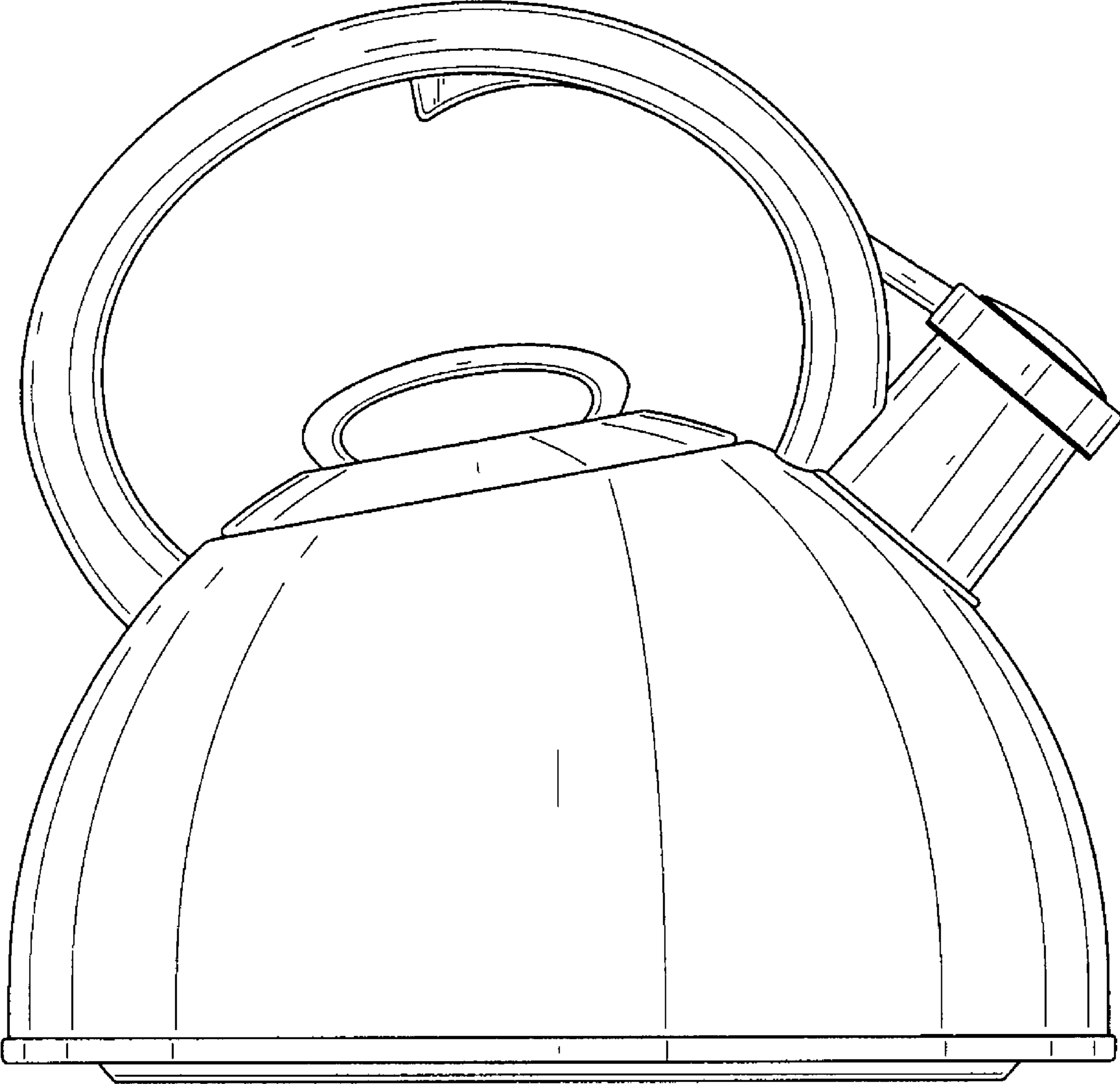


FIG. 4

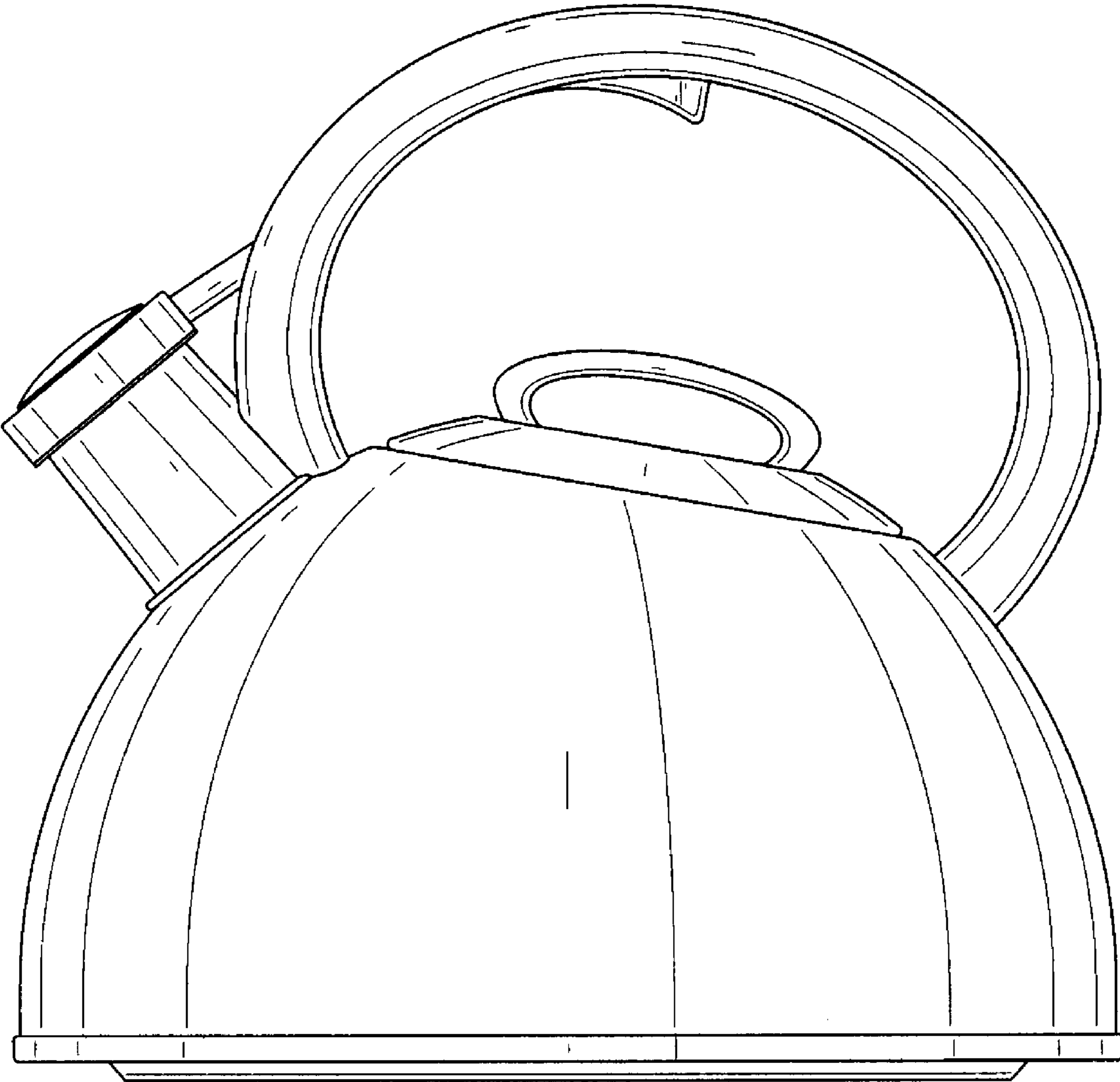


FIG. 5

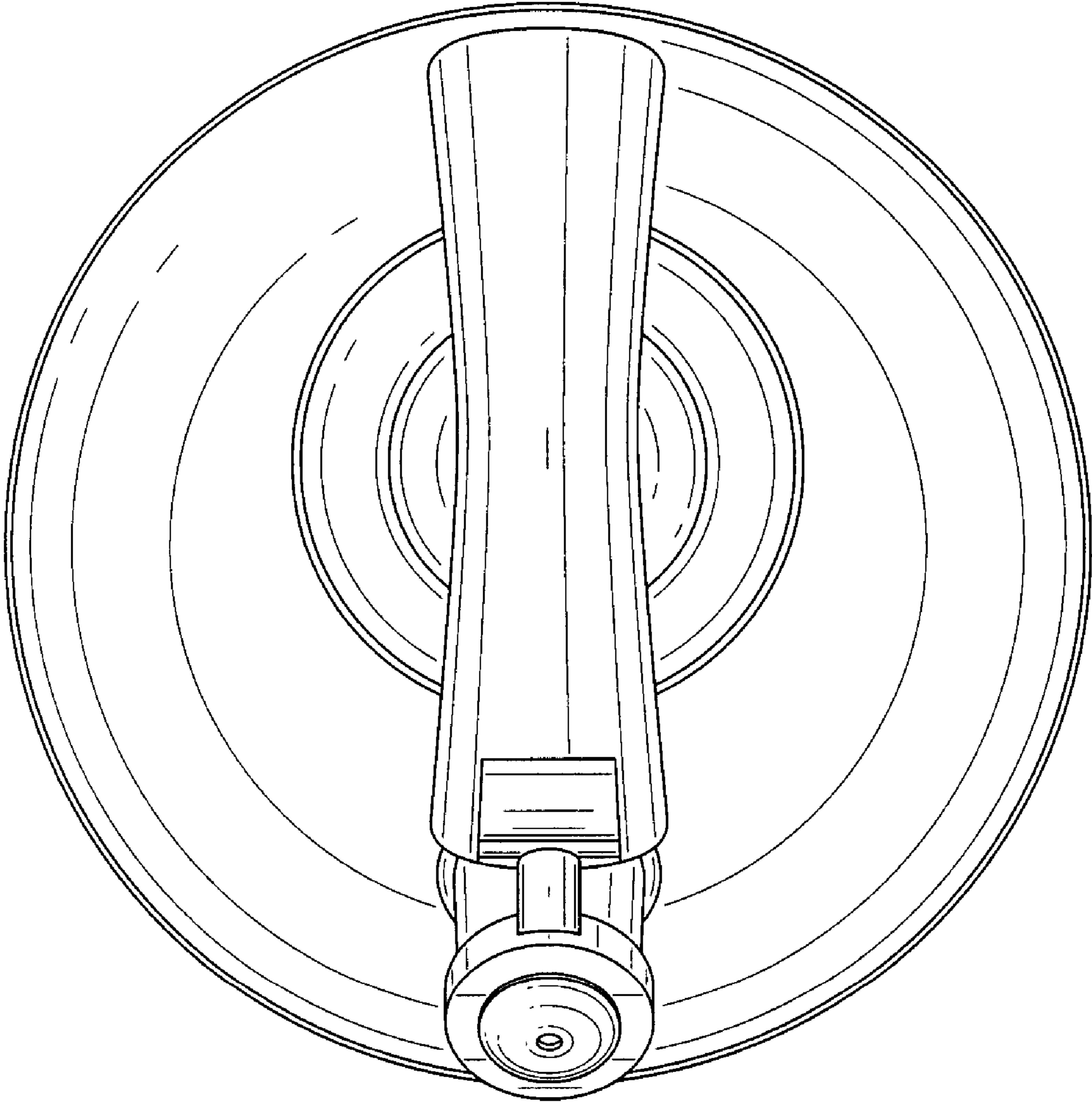


FIG. 6

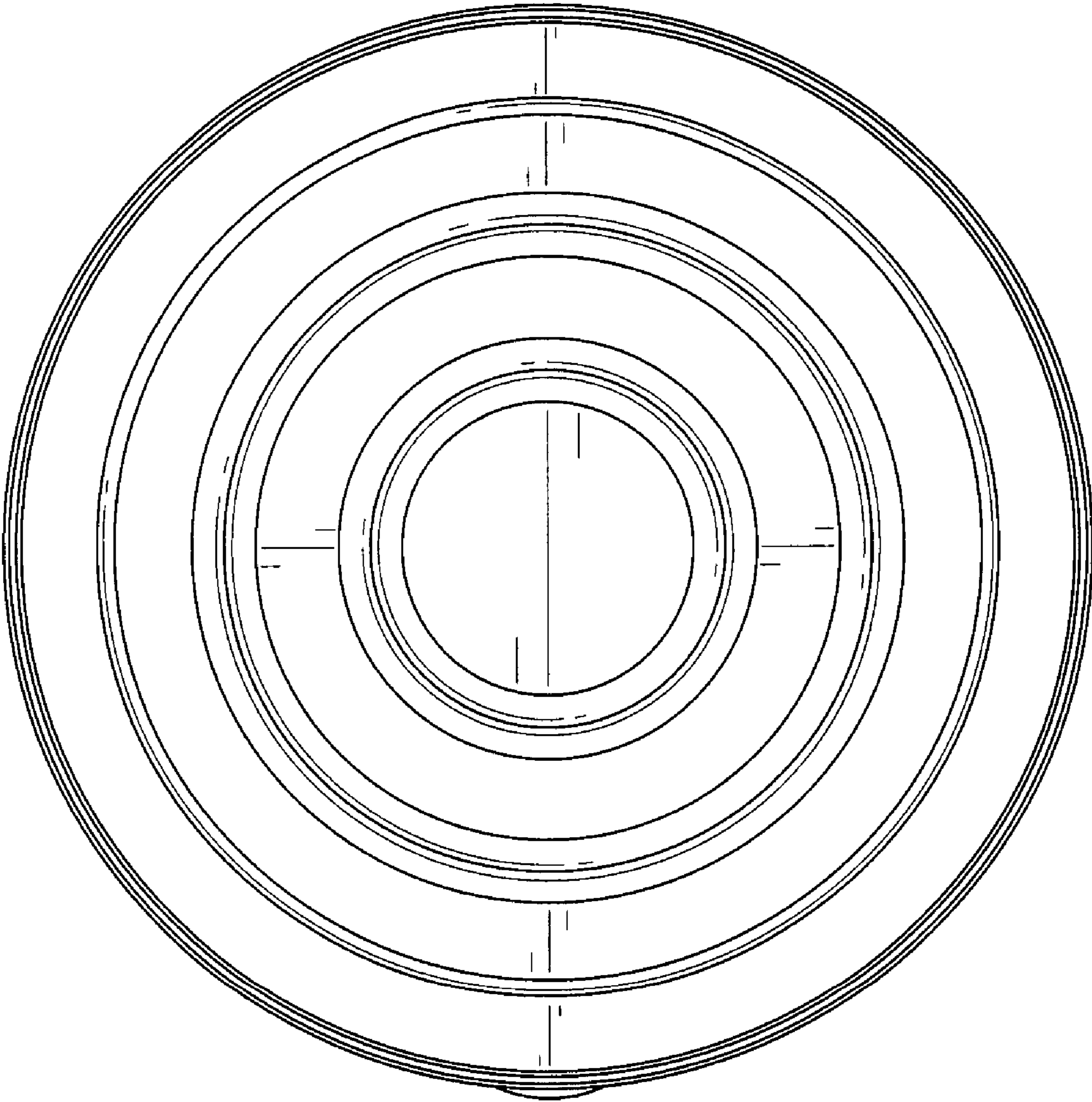


FIG. 7