



US00D638247S

(12) **United States Design Patent**
Yamada

(10) **Patent No.:** **US D638,247 S**
(45) **Date of Patent:** **** May 24, 2011**

(54) **KETTLE**
(75) Inventor: **Komin Yamada**, Woodridge, IL (US)
(73) Assignee: **Wilton Industries, Inc.**, Woodridge, IL (US)
(**) Term: **14 Years**
(21) Appl. No.: **29/355,891**
(22) Filed: **Feb. 16, 2010**
(51) **LOC (9) Cl.** **07-01**
(52) **U.S. Cl.** **D7/318; D7/321**
(58) **Field of Classification Search** D7/361, D7/318, 317, 321, 322; 222/189.07, 144.5, 222/465.1, 469; 210/467; 220/318
See application file for complete search history.

D427,004 S 6/2000 Thurlow
D428,758 S 8/2000 Santiago et al.
D442,015 S 5/2001 Doret, Jr.
D443,170 S * 6/2001 Brest D7/315
D448,239 S 9/2001 Ide et al.
D448,963 S 10/2001 Shim
D451,757 S 12/2001 Shim
6,520,383 B1 * 2/2003 Brest 222/189.07
6,536,603 B1 3/2003 Sollo
6,540,120 B2 4/2003 Lebowitz
D478,243 S 8/2003 Lebowitz
D478,767 S 8/2003 Lebowitz
D478,768 S 8/2003 Belton
D484,735 S 1/2004 Lebowitz
D490,641 S 6/2004 Lebowitz
D497,511 S 10/2004 Lebowitz
D502,838 S 3/2005 Ancona
D506,635 S 6/2005 Krent et al.
7,048,144 B1 5/2006 Chan et al.

(Continued)

Primary Examiner — Marianne Pandozzi
(74) *Attorney, Agent, or Firm* — Foley & Lardner LLP

(56) **References Cited**

U.S. PATENT DOCUMENTS

41,095 A	1/1864	Ripley	
1,328,558 A	1/1920	Brooks	
1,994,576 A	3/1935	Dean	
2,083,017 A	6/1937	Hayes	
2,303,841 A	12/1942	Kircher	
D178,658 S	9/1956	Guild	D7/321
D211,273 S	6/1968	Waler	D7/312
D217,179 S	4/1970	Smith	D7/318
4,310,418 A	1/1982	Busbey	
D302,511 S	8/1989	Porcelli	D7/317
4,873,918 A	10/1989	Goldman	99/403
5,135,128 A	8/1992	Kuhn	
D345,884 S	4/1994	Rossari	
5,339,978 A	8/1994	Coppier	
5,365,832 A	11/1994	Gaydoul	
5,490,616 A	2/1996	Stowell et al.	
D380,337 S	7/1997	Lien	
D381,859 S	8/1997	Joergensen	D7/322
5,653,881 A	8/1997	Bruss et al.	
D386,940 S	12/1997	Hess	D7/361
5,730,045 A	3/1998	Delaquis et al.	
D396,988 S	8/1998	Lien	
D407,943 S	4/1999	Chen	

(57) **CLAIM**

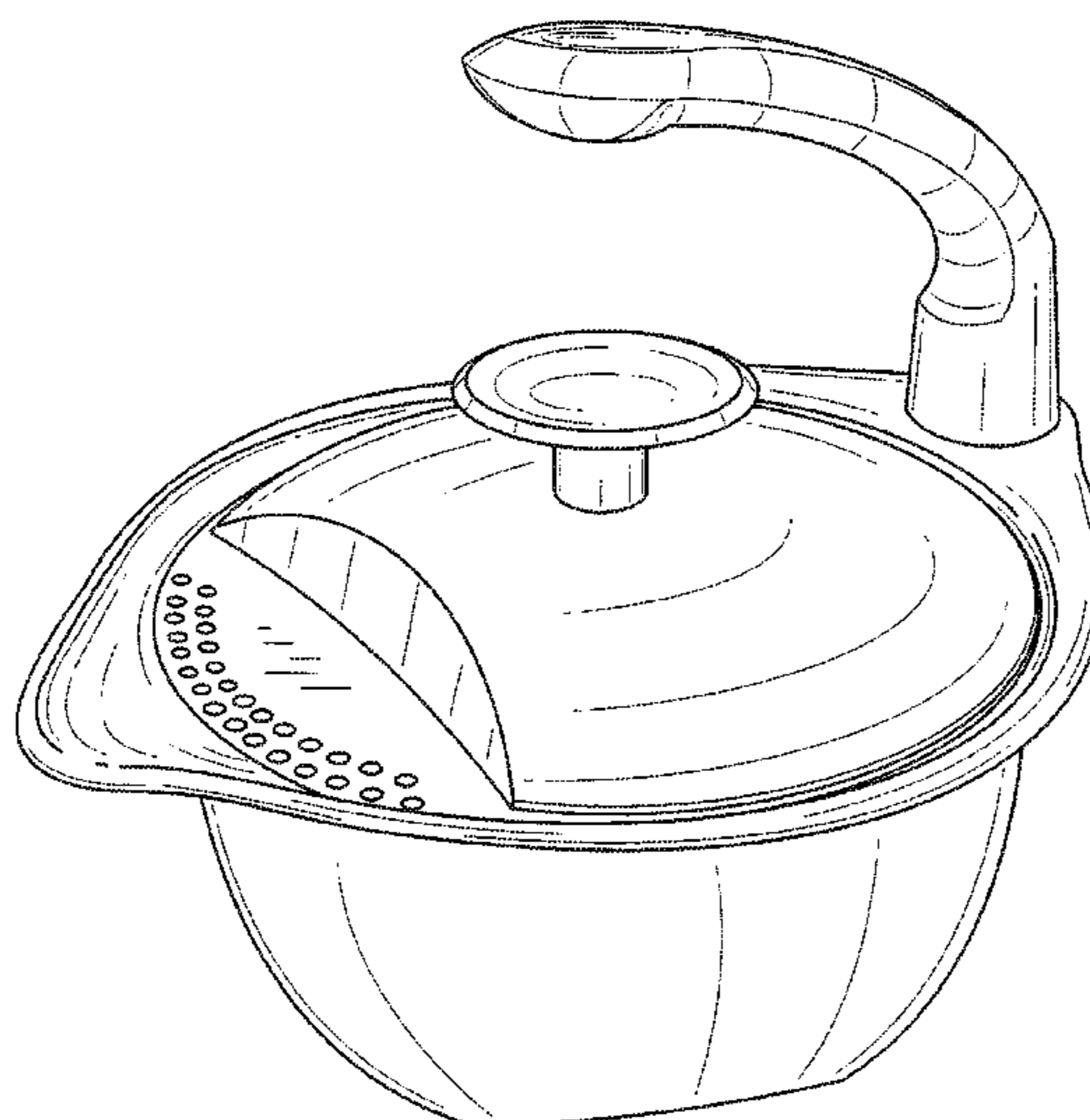
I claim the ornamental design for a kettle, as shown and described.

DESCRIPTION

FIG. 1 is a left front side perspective view of the kettle; FIG. 2 is a top view of the design embodiment shown in FIG. 1; FIG. 3 is a bottom view of the design embodiment shown in FIG. 1; FIG. 4 is a left side view of the design embodiment shown in FIG. 1; FIG. 5 is a front side view of the design embodiment shown in FIG. 1; and, FIG. 6 is a back side view of the design embodiment shown in FIG. 1.

The broken lines in FIG. 3 are included for the purpose of illustration and form no part of the claimed design.

1 Claim, 6 Drawing Sheets



US D638,247 S

Page 2

U.S. PATENT DOCUMENTS

D524,590 S *	7/2006	Bodum	D7/321	D574,657 S	8/2008	Lebowitz	
D528,345 S	9/2006	Smaldone		D574,658 S	8/2008	Grund et al.	
RE39,431 E	12/2006	Naden et al.		D574,659 S	8/2008	Lebowitz	
D540,610 S	4/2007	Lebowitz		D574,660 S	8/2008	Grund et al.	
D541,100 S	4/2007	Lebowitz		D575,094 S	8/2008	Lebowitz	
D541,573 S	5/2007	Lebowitz		D584,561 S	1/2009	Ljunggren et al.	
D544,751 S	6/2007	Henderson		D598,235 S	8/2009	Cozolino	
7,225,952 B2	6/2007	Naden		D604,089 S	11/2009	Hanna	
D553,428 S	10/2007	Henderson		D627,588 S *	11/2010	Wang Chen	D7/320
7,303,100 B2	12/2007	Palm et al.		2005/0247743 A1	11/2005	Loring	
D568,668 S	5/2008	Smaldone		2007/0119878 A1	5/2007	Naden	
D573,397 S	7/2008	Smaldone		2007/0021565 A1	9/2007	Lebowitz	
D573,834 S *	7/2008	Iwasaki et al.	D7/318	2008/0011164 A1	1/2008	B'ham	
D574,656 S	8/2008	Lebowitz					

* cited by examiner

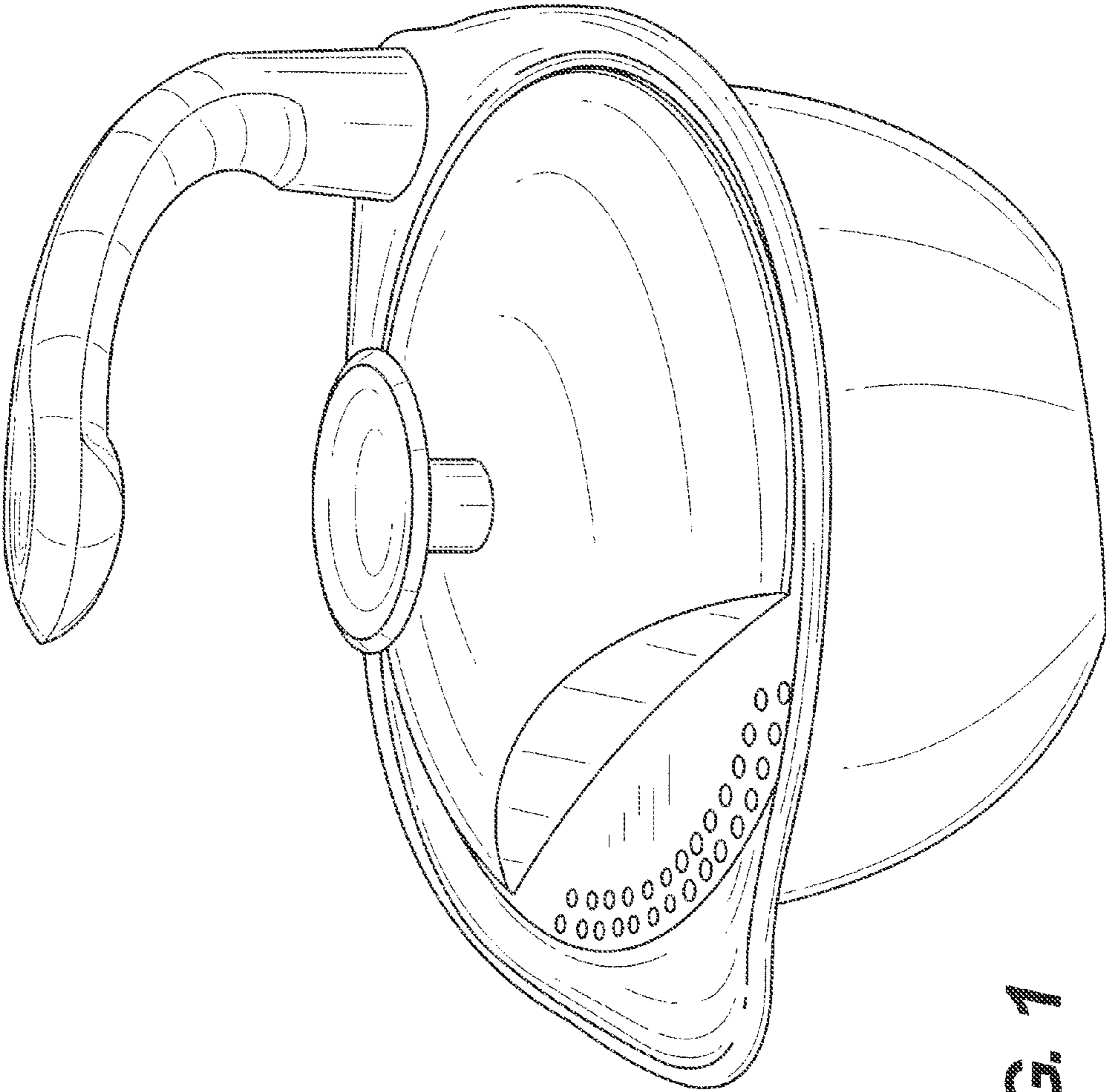


FIG. 1

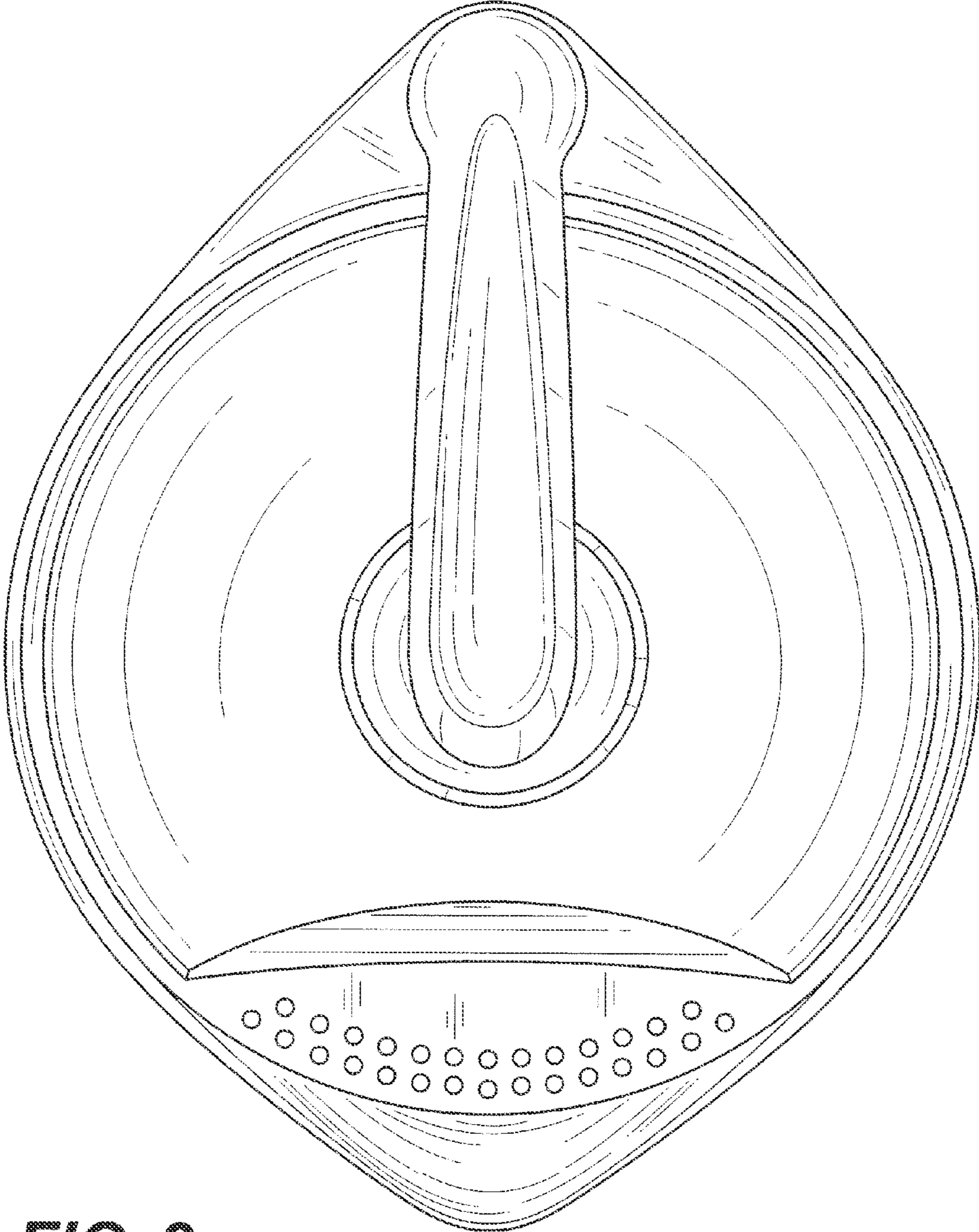


FIG. 2

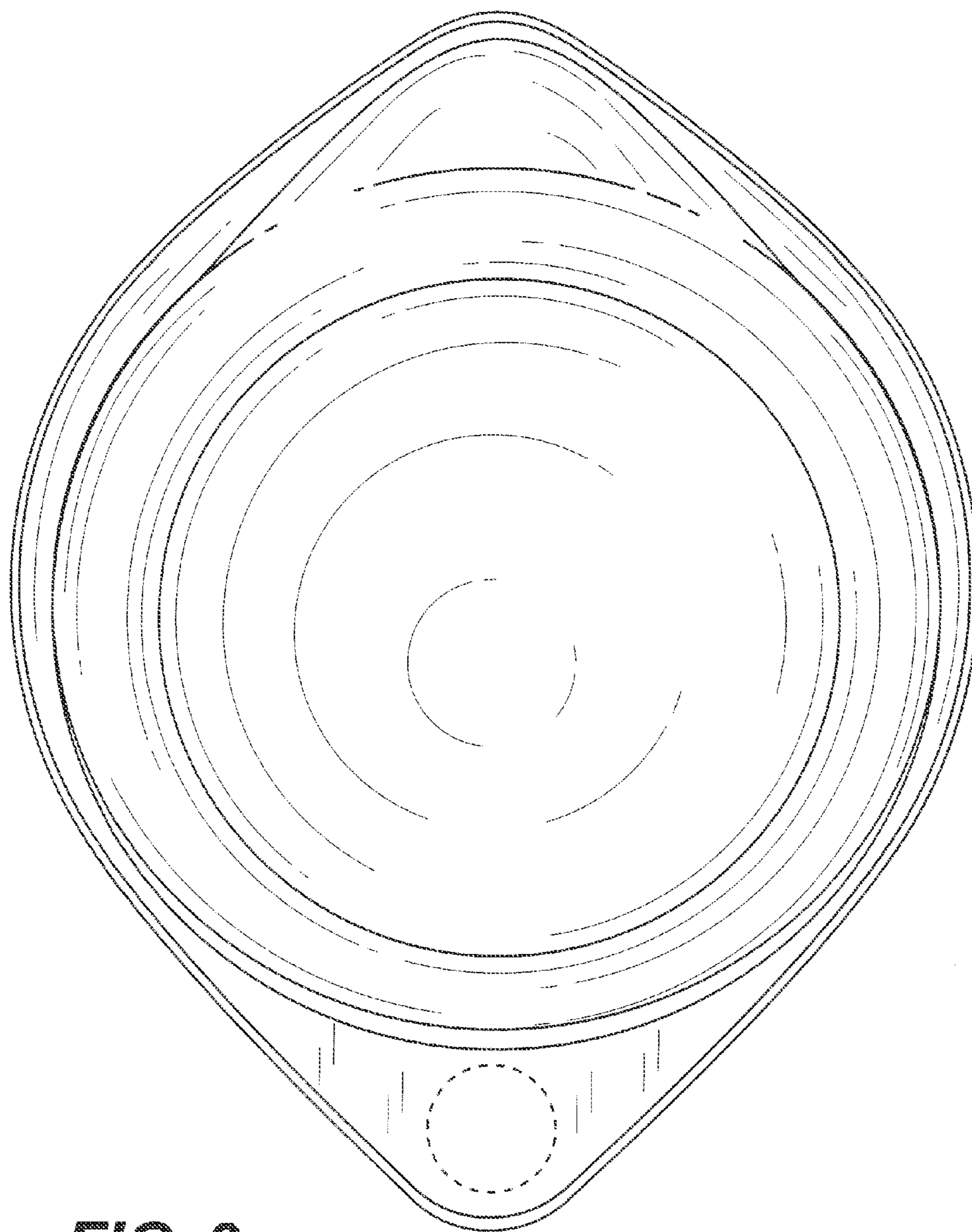


FIG. 3

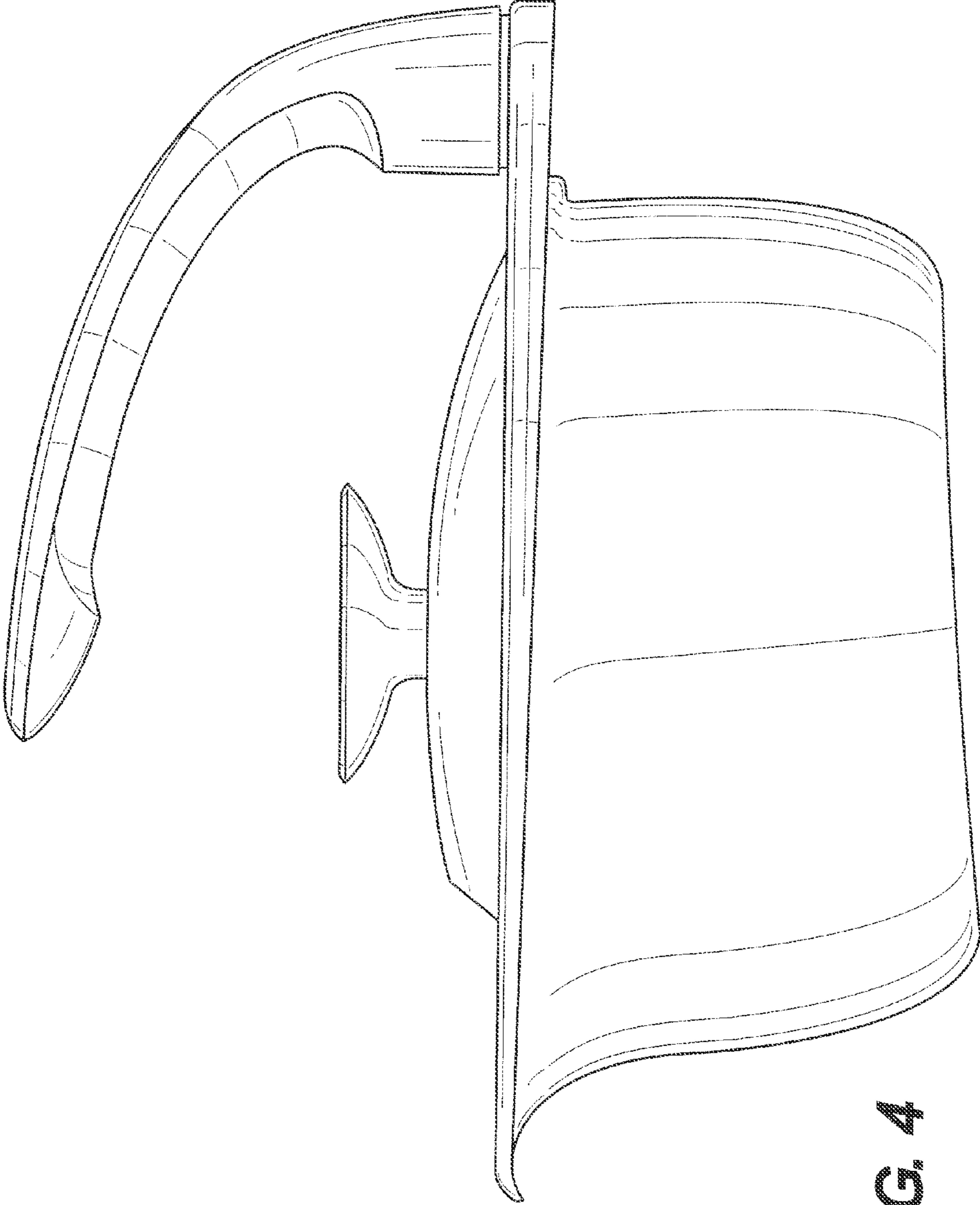


FIG. 4

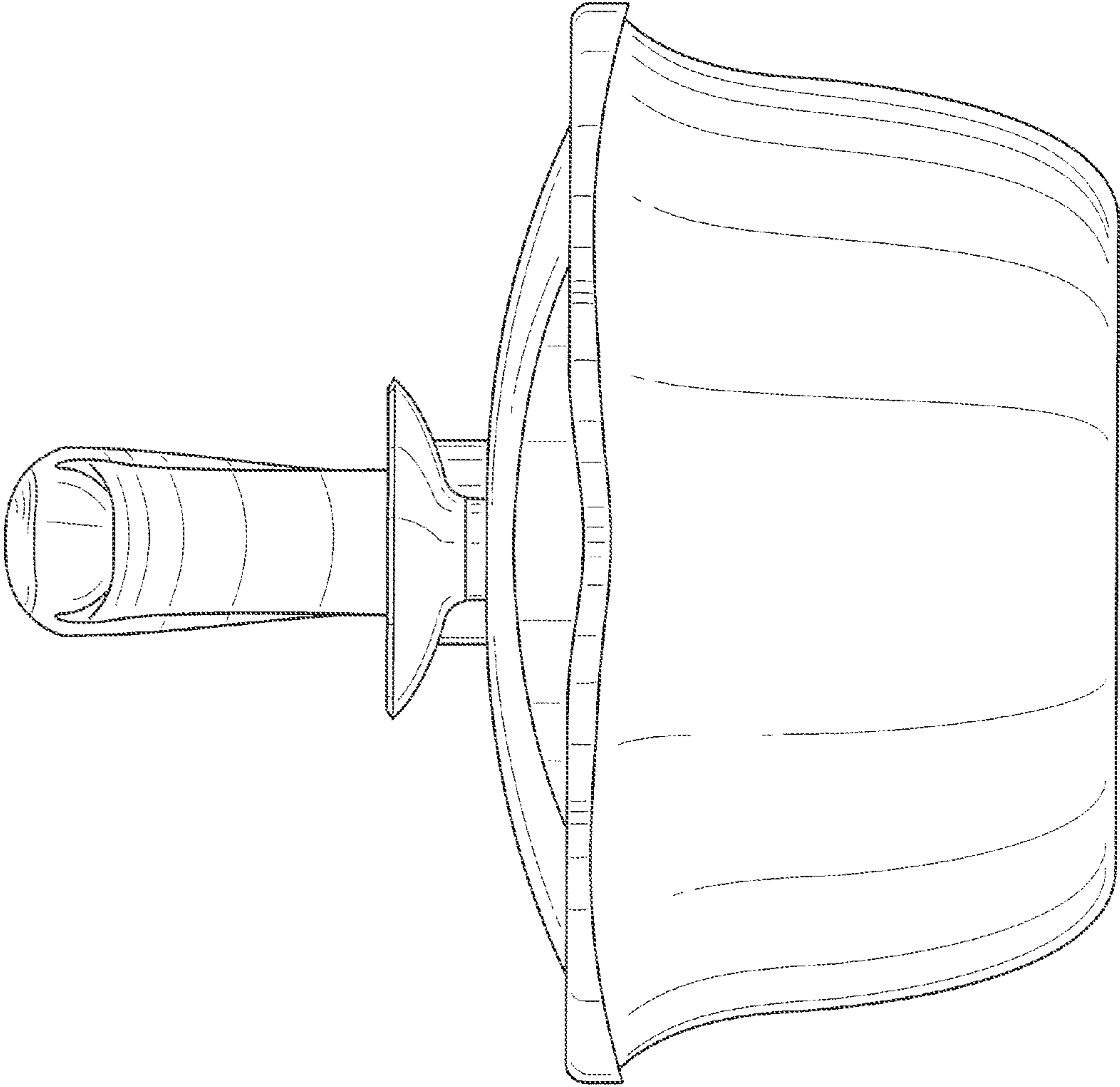


FIG. 5

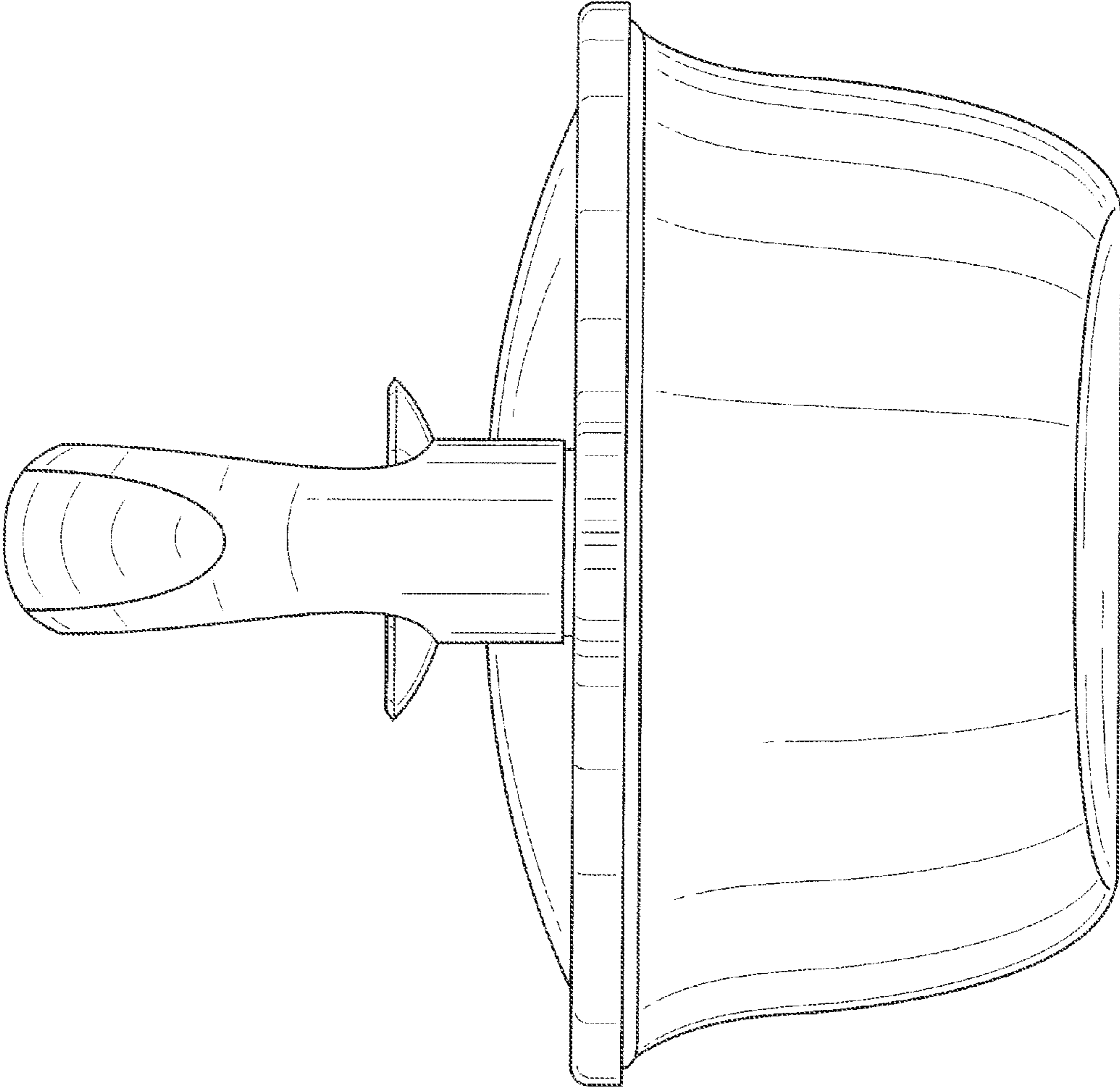


FIG. 6