

US00D638241S

(12) **United States Design Patent**
Bloom

(10) **Patent No.:** **US D638,241 S**

(45) **Date of Patent:** **** May 24, 2011**

(54) **PILLOW**

(76) Inventor: **Jill Bloom**, Birmingham, MI (US)

(**) Term: **14 Years**

(21) Appl. No.: **29/358,964**

(22) Filed: **Apr. 2, 2010**

(51) **LOC (9) Cl.** **06-09**

(52) **U.S. Cl.** **D6/601**

(58) **Field of Classification Search** D6/595–601,
D6/604, 606, 610, 611; 5/630, 632, 636–640,
5/642, 644–646, 648, 651–655, 655.3, 655.9,
5/656, 657.5; D21/686, 687, 803; D24/183;
D30/118; 482/140

See application file for complete search history.

(56) **References Cited**

U.S. PATENT DOCUMENTS

D114,973 S	5/1939	Eckman	
D207,315 S *	4/1967	Radford	D6/596
D211,721 S *	7/1968	Radford	D6/601
D215,536 S *	10/1969	Larsen	D6/601
3,555,582 A *	1/1971	Radford	5/632
D254,029 S	1/1980	Barbagallo	
D317,840 S	7/1991	Jagdat	
D326,790 S	6/1992	Grigg	
D327,198 S	6/1992	Erker, Jr. et al.	
D339,021 S *	9/1993	Henry	D6/601
D340,380 S	10/1993	McDonald	
D360,796 S	8/1995	Goldado	

5,474,513 A *	12/1995	Carlesimo et al.	482/140
D383,637 S	9/1997	Musco	
D386,643 S	11/1997	Farrell	
D407,259 S	3/1999	Jackson	
D521,301 S *	5/2006	Dickson	D6/601
D555,741 S *	11/2007	Wachtfogel et al.	D21/686
D625,421 S *	10/2010	Sharps et al.	D24/184
D625,678 S *	10/2010	Heinz	D12/217
2005/0172407 A1 *	8/2005	Drangula	5/632
2007/0101503 A1 *	5/2007	Dennewald	5/638
2010/0299838 A1 *	12/2010	Lanci et al.	5/645

* cited by examiner

Primary Examiner — Mary Ann Calabrese

(74) *Attorney, Agent, or Firm* — Harness, Dickey & Pierce, P.L.C.

(57) **CLAIM**

The ornamental design for a pillow, as shown and described.

DESCRIPTION

FIG. 1 is a perspective view of a pillow showing my new design;

FIG. 2 is a left side view of the pillow shown in FIG. 1;

FIG. 3 is a right side view of the pillow shown in FIG. 1;

FIG. 4 is a rear view of the pillow shown in FIG. 1;

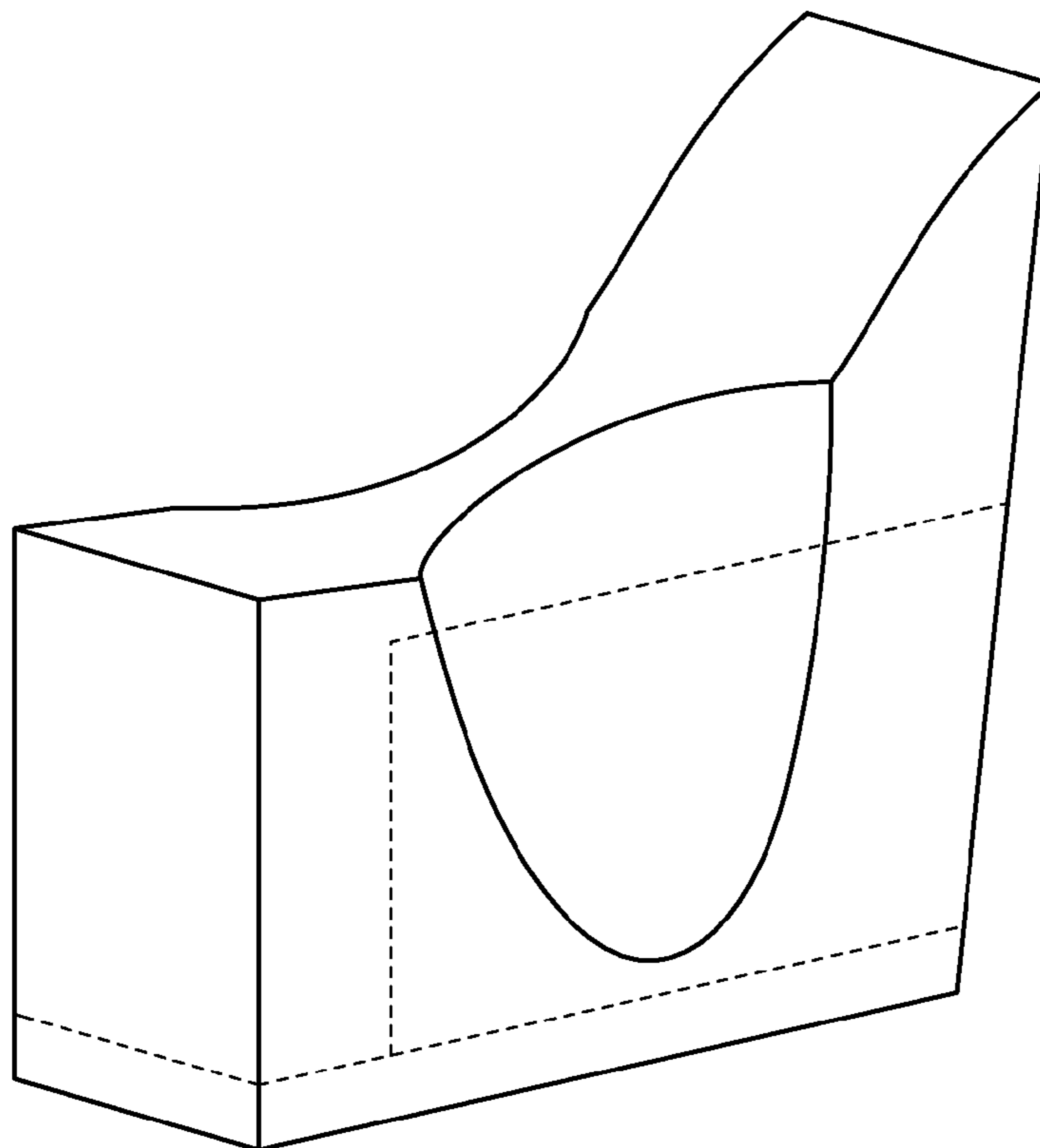
FIG. 5 is a front view of the pillow shown in FIG. 1;

FIG. 6 is a top view of the pillow shown in FIG. 1; and,

FIG. 7 is a bottom view of the pillow shown in FIG. 1.

The broken lines showing sectional portions of the pillow form no part of the claimed design.

1 Claim, 3 Drawing Sheets



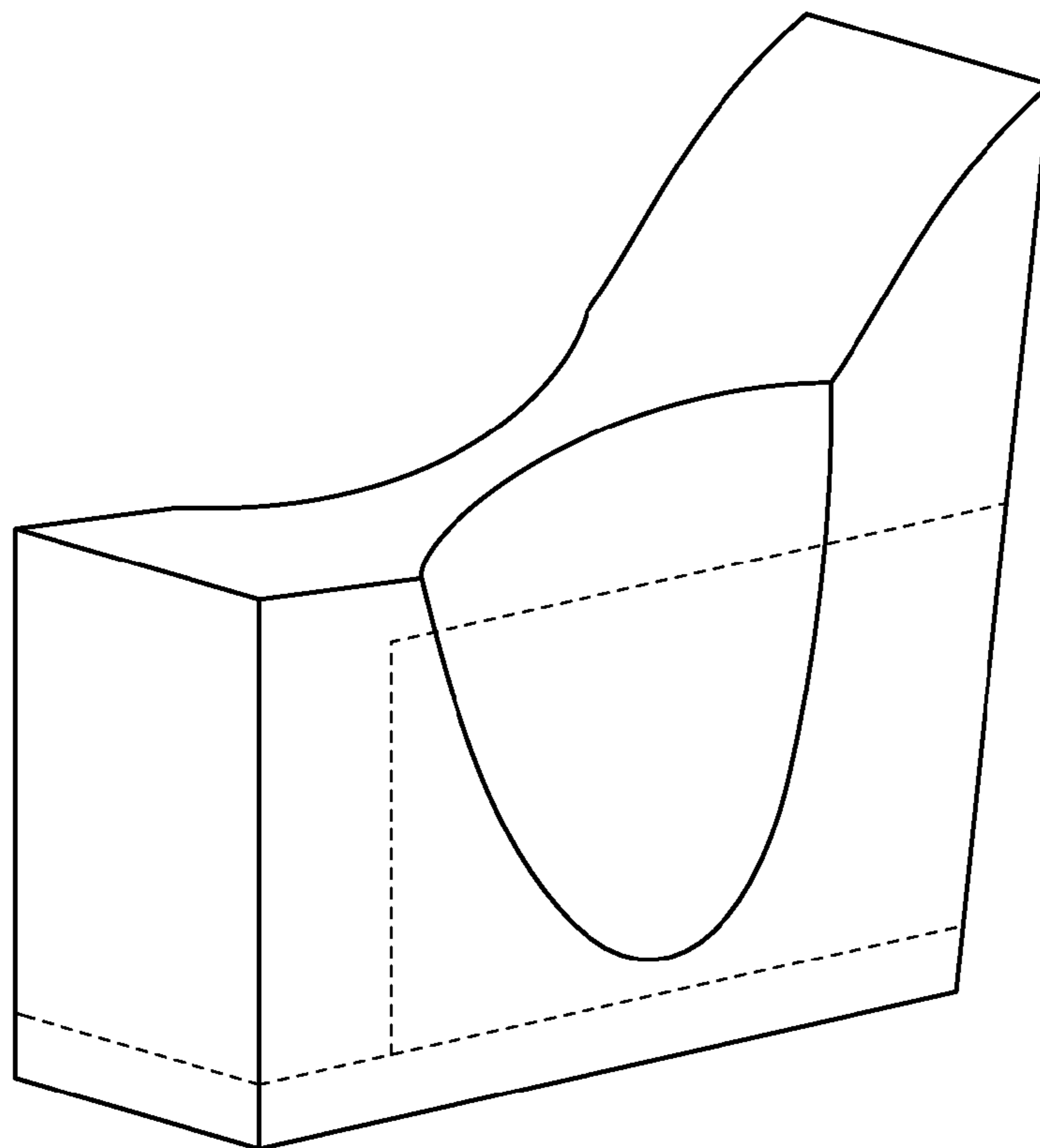


FIG. 1

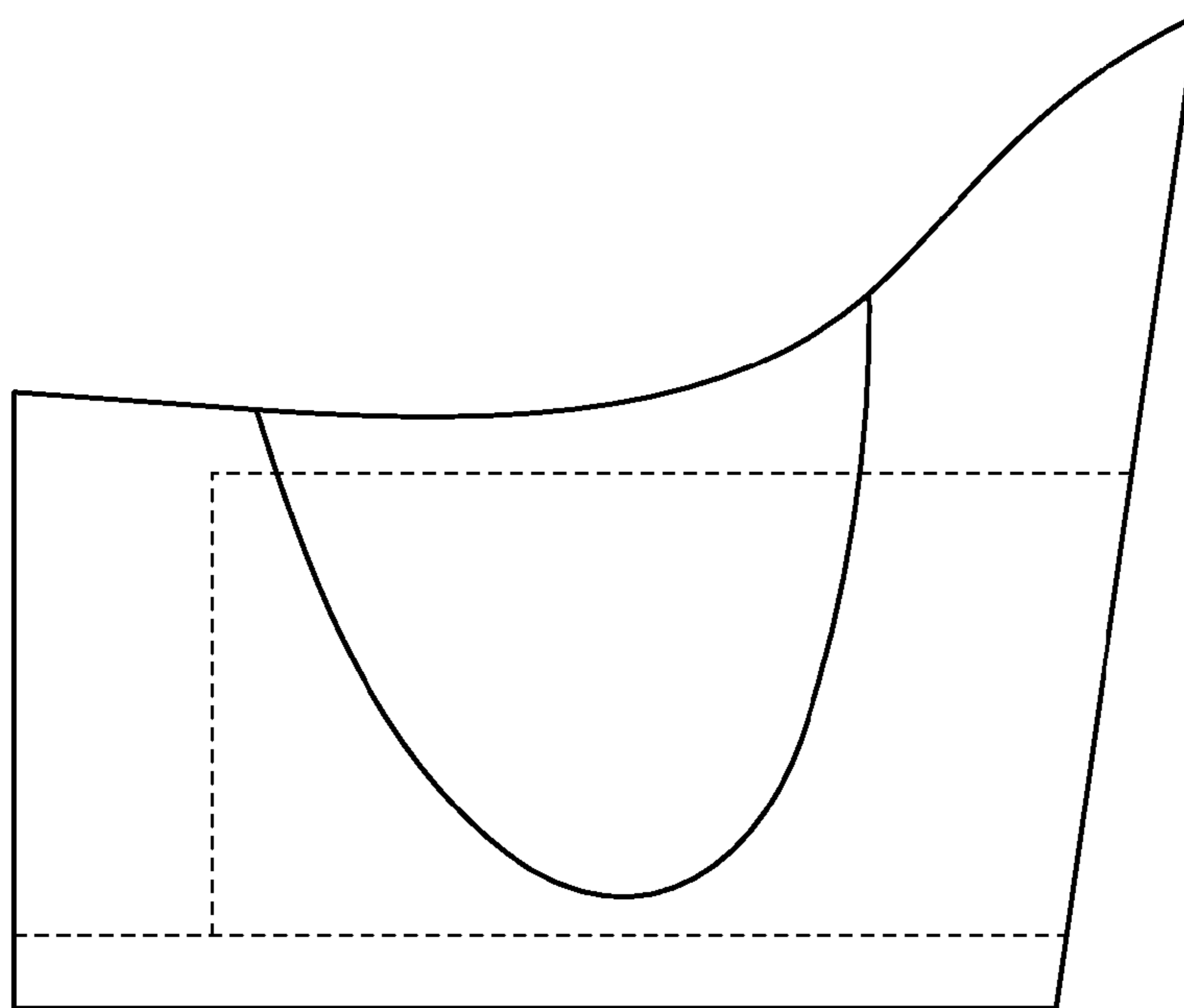


FIG. 2

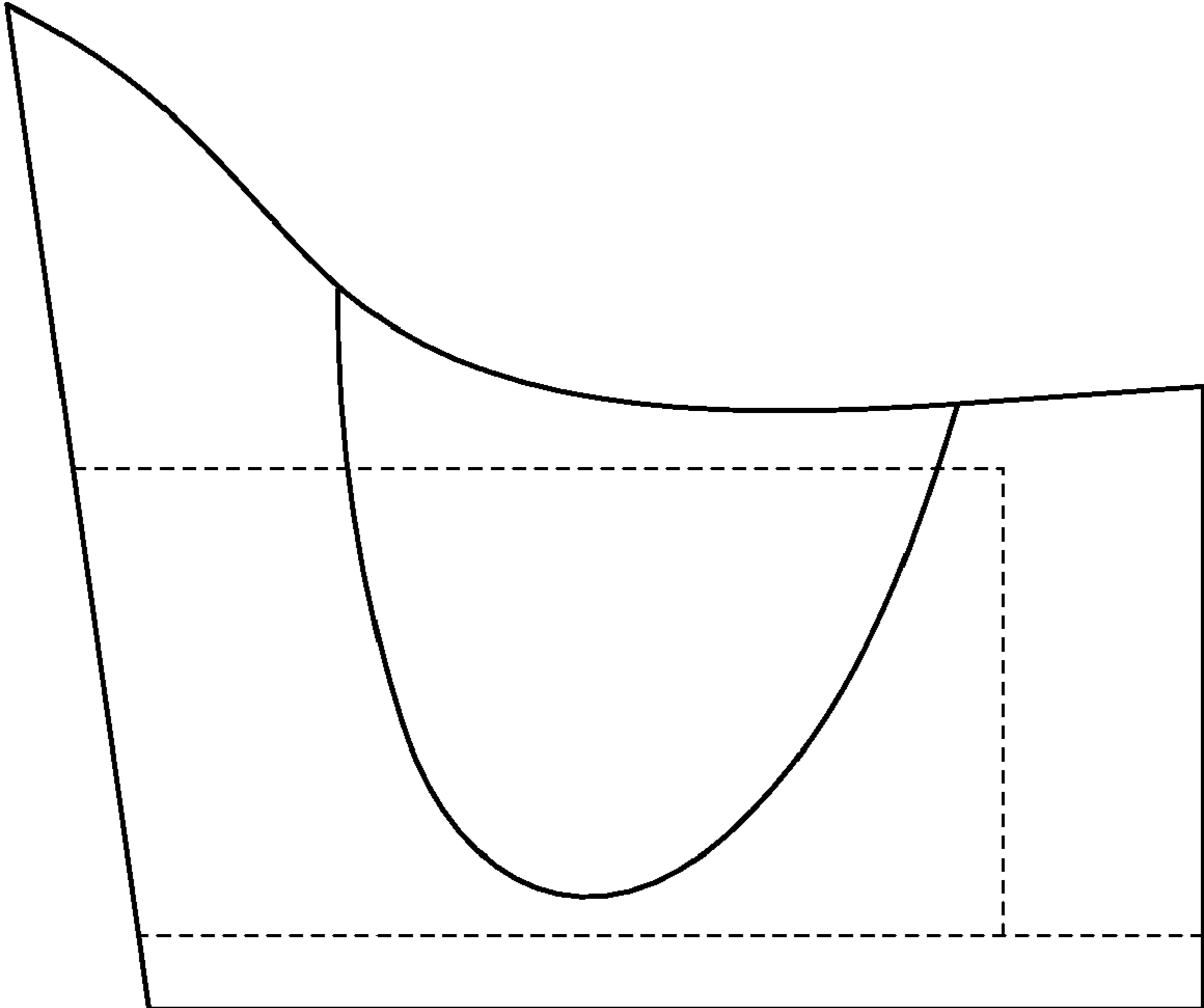


FIG. 3

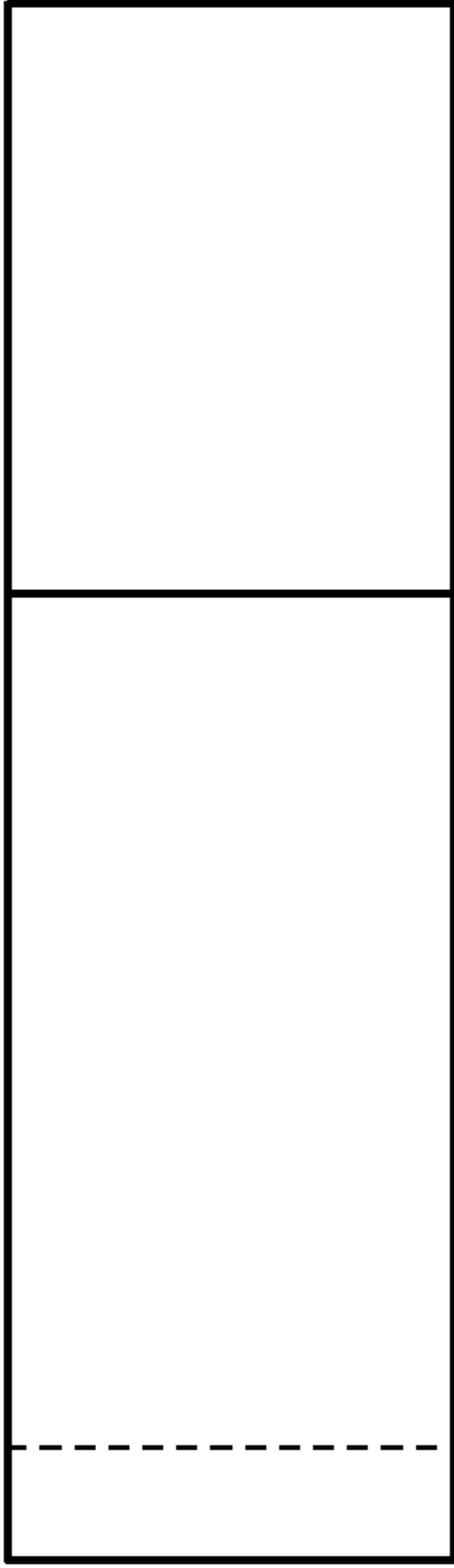


FIG. 4

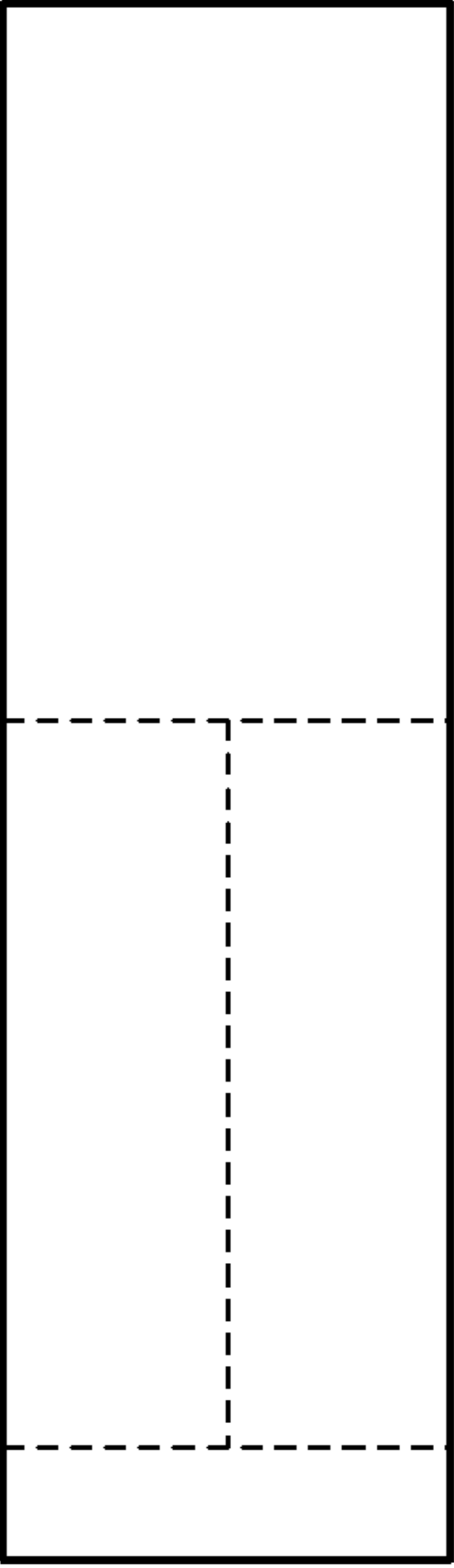


FIG. 5

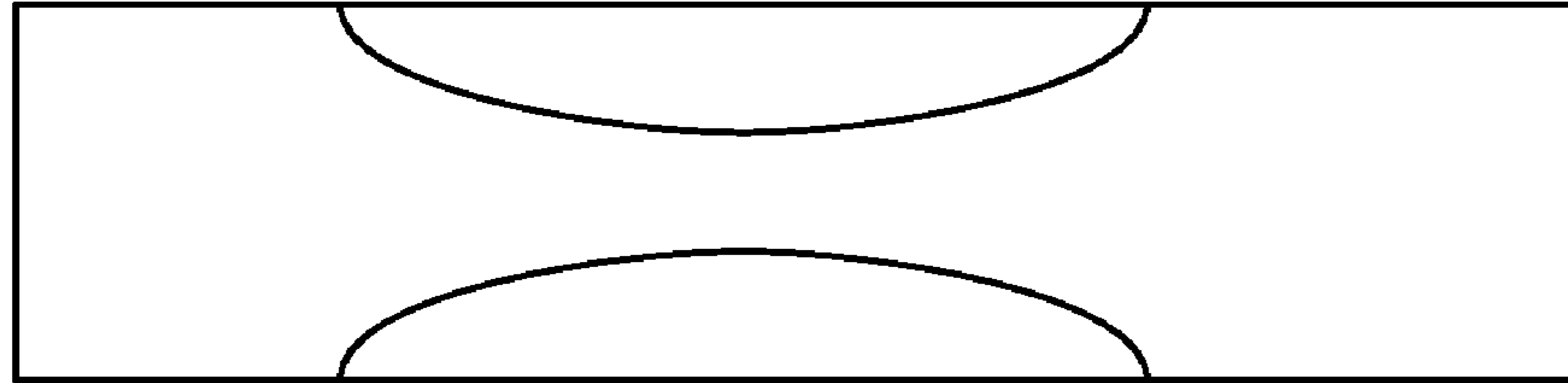


FIG. 6



FIG. 7